



US00D446335S

(12) **United States Design Patent**
Cheong

(10) **Patent No.:** **US D446,335 S**

(45) **Date of Patent:** **** Aug. 7, 2001**

(54) **SOLAR-POWERED OUTDOOR LIGHT**

(75) **Inventor:** **Ellis Hon Siu Cheong, Shunshine (HK)**

(73) **Assignee:** **The Brinkmann Corporation, Dallas, TX (US)**

(**) **Term:** **14 Years**

(21) **Appl. No.:** **29/137,019**

(22) **Filed:** **Feb. 14, 2001**

Related U.S. Application Data

(63) Continuation of application No. 29/130,583, filed on Oct. 3, 2000, now abandoned.

(51) **LOC (7) Cl.** **26-03**

(52) **U.S. Cl.** **D26/85**

(58) **Field of Search** D26/67-72, 80-92;
362/147, 153, 153.1, 183, 266, 276, 290,
363, 291, 404-415

(56) **References Cited**

U.S. PATENT DOCUMENTS

D. 37,742	12/1905	Davis .	
D. 66,189	12/1924	Jaeger .	
D. 67,423	5/1925	Walker .	
D. 67,929	8/1925	Lipschutz .	
D. 72,714	5/1927	Lipschutz .	
D. 76,062	8/1928	Shortt .	
D. 81,003	4/1930	Haas .	
D. 105,246	7/1937	Ostrow .	
D. 206,082	10/1966	Rosen	D48/4
D. 220,641	5/1971	Lewis	D48/4
D. 251,629	4/1979	Nelson	D48/4 B
D. 302,477	7/1989	Bohler	D26/81
D. 309,796	8/1990	Koziol	D26/87
D. 313,868	1/1991	Shyu	D26/87
D. 314,834	2/1991	Rottner	D26/87
D. 316,759	5/1991	Choi	D26/87
D. 383,865	9/1997	Heiberg et al.	D26/67
D. 387,458	12/1997	Ruggles et al.	D26/67
D. 388,220	12/1997	Hsu	D26/87
D. 394,325	5/1998	Hsu	D26/87

D. 394,519	5/1998	Hsu	D26/87
D. 409,780	5/1999	Maxwell	D26/67
D. 420,162	2/2000	Meck et al.	D26/87
D. 420,459	2/2000	Meck et al.	D26/87
D. 420,760	2/2000	Meck et al.	D26/87
D. 428,507	7/2000	De'Armond	D26/72
D. 428,662	7/2000	Jaspers-Fayer et al.	D26/67
D. 429,016	8/2000	Cohen	D26/67
2,967,230	1/1961	Goetz et al.	240/3
3,239,958	3/1966	Daum	40/145

OTHER PUBLICATIONS

Home Lighting & Accessories, Oxford collection, exterior lamps by Quoizel, p. 27, Nov. 1997.*

Home Lighting and Accessories, Aug. 1995, p. 19, exterior wall lamp.

Kichler Lighting Catalog, 1989, p. 93, post lantern #K-9955.

* cited by examiner

Primary Examiner—Alan P. Douglas

Assistant Examiner—Linda Brooks

(74) *Attorney, Agent, or Firm*—Sheppard, Mullin, Richter & Hampton LLP

(57) **CLAIM**

The ornamental design for a solar-powered outdoor light, as shown and described.

DESCRIPTION

FIG. 1 is a perspective view of a solar-powered outdoor light embodying my new design.

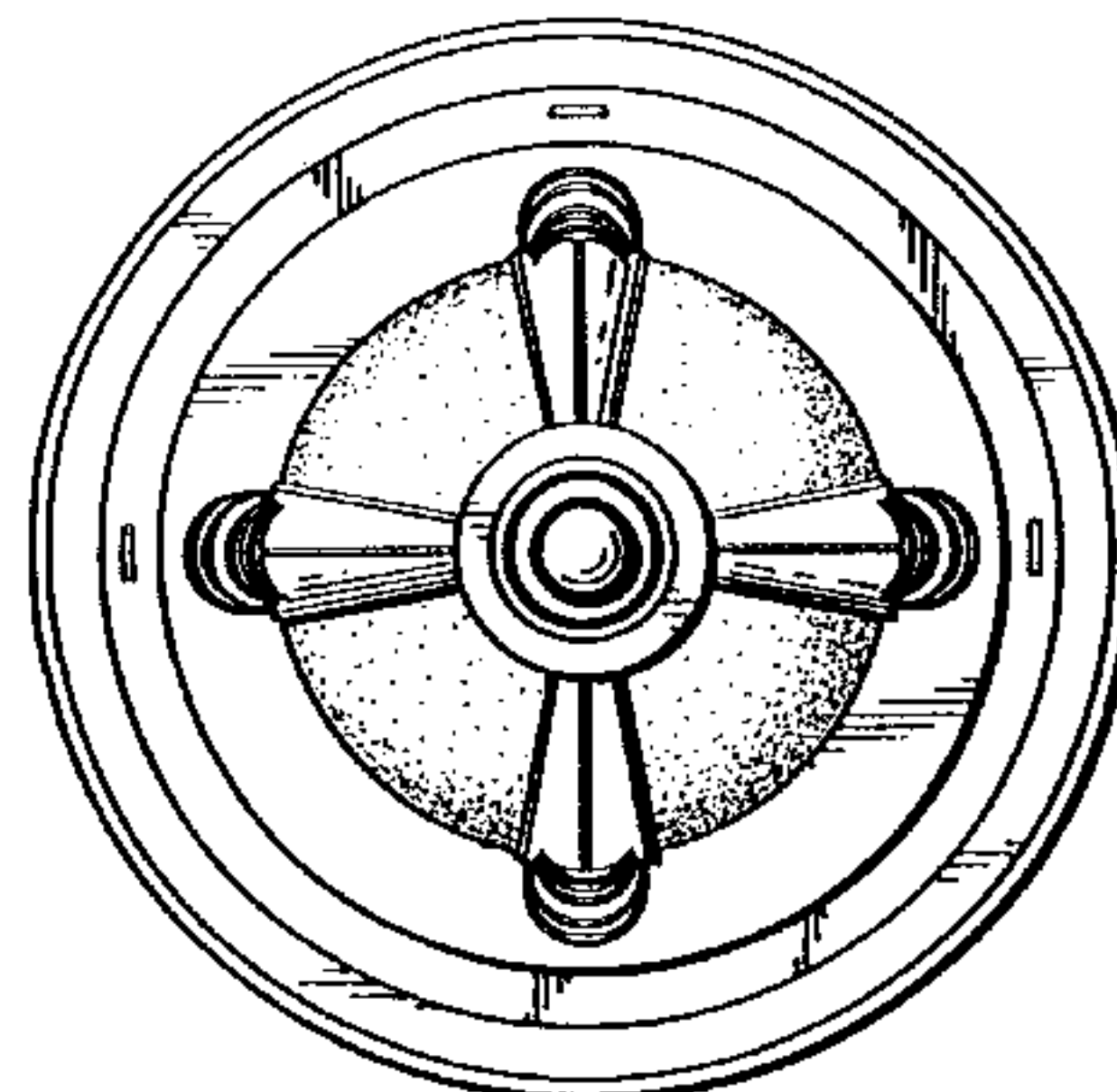
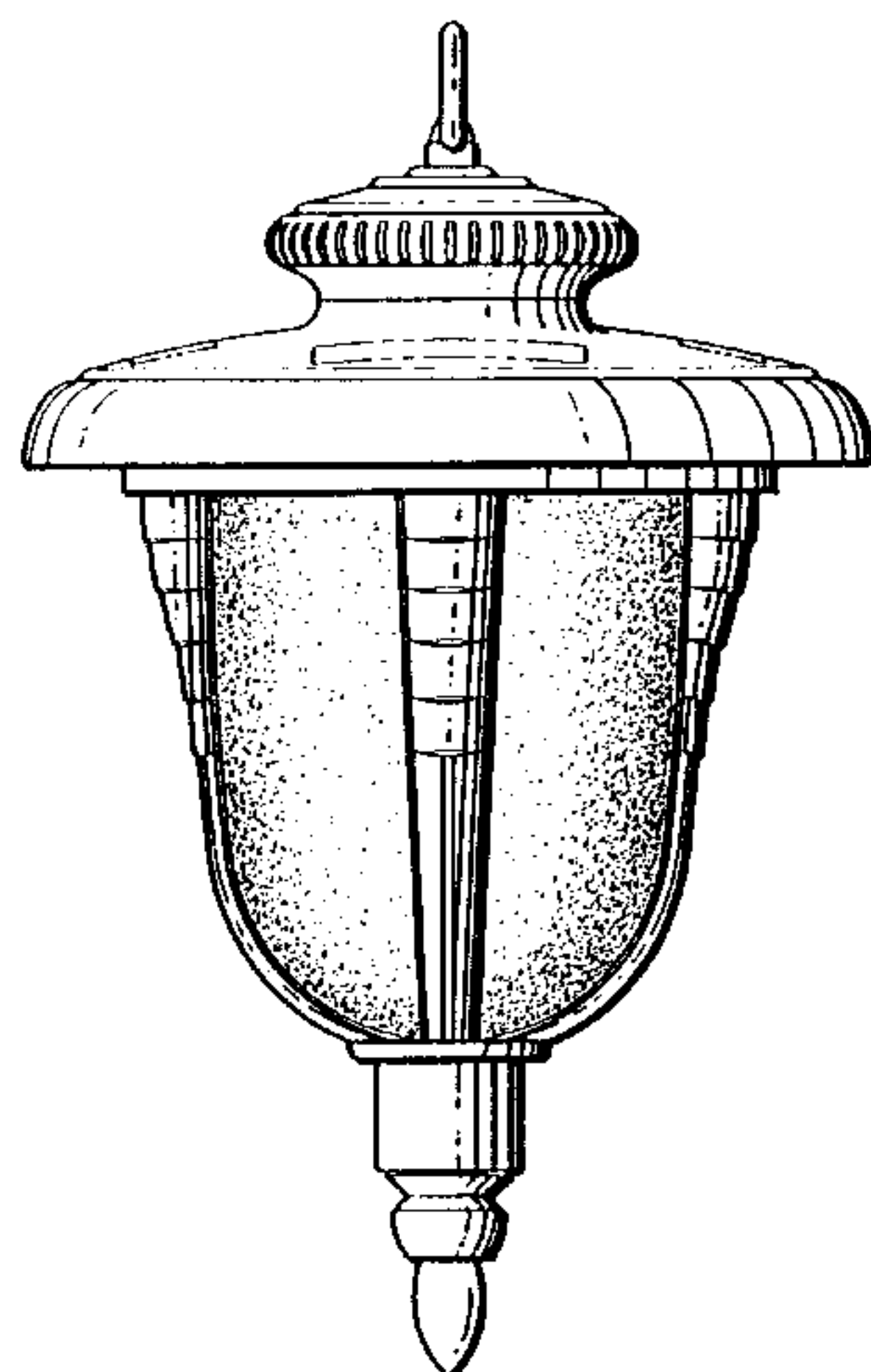
FIG. 2 is a left side elevational view thereof on a reduced scale, the right side elevational view being a mirror image thereof.

FIG. 3 is a front side elevational view thereof on a reduced scale, the rear side elevational view being a mirror image thereof.

FIG. 4 is a bottom plan view thereof on a reduced scale; and, FIG. 5 is a top plan view thereof on a reduced scale.

The broken lines shown in the drawing form no part of the claimed design.

1 Claim, 2 Drawing Sheets



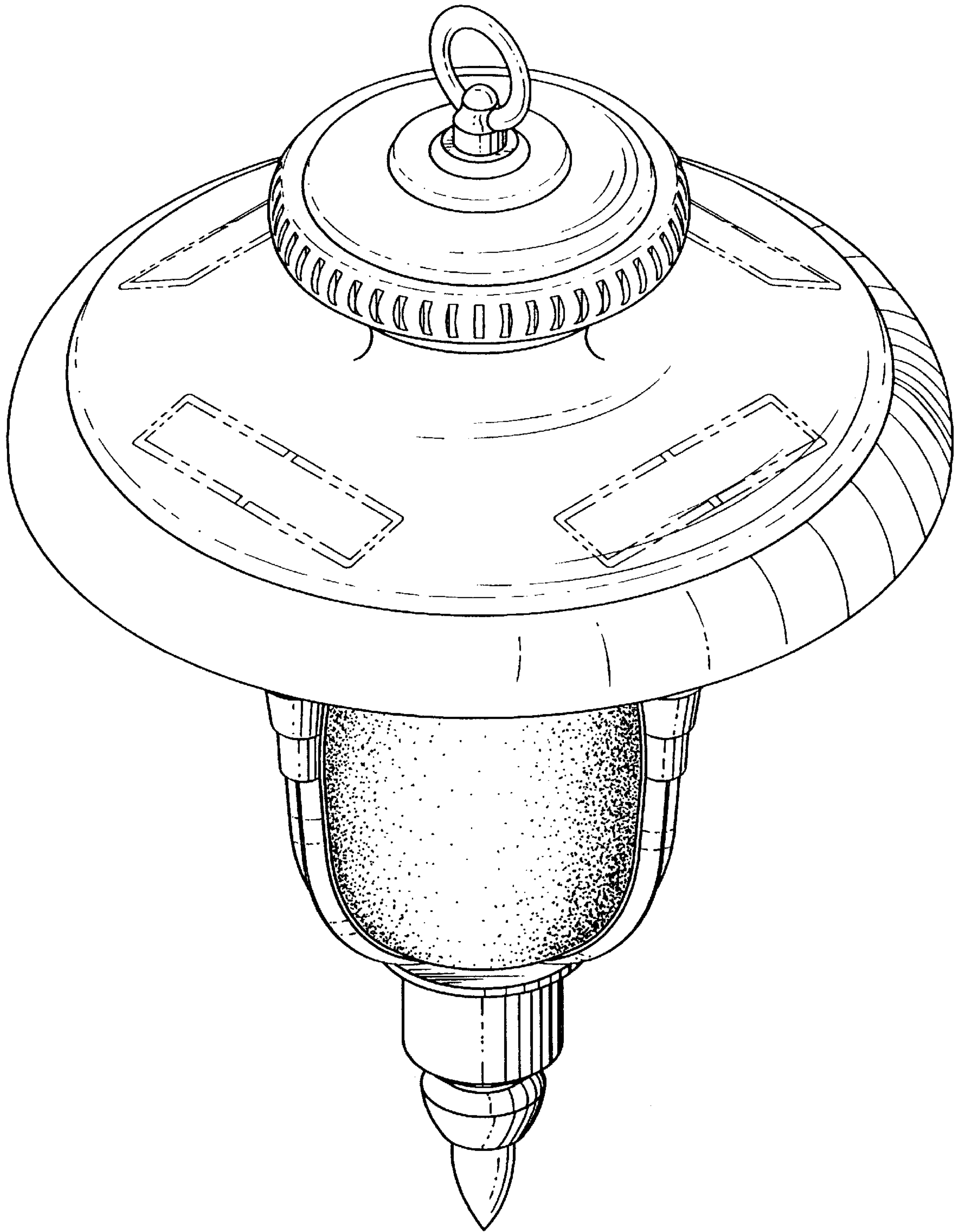


FIG. 1

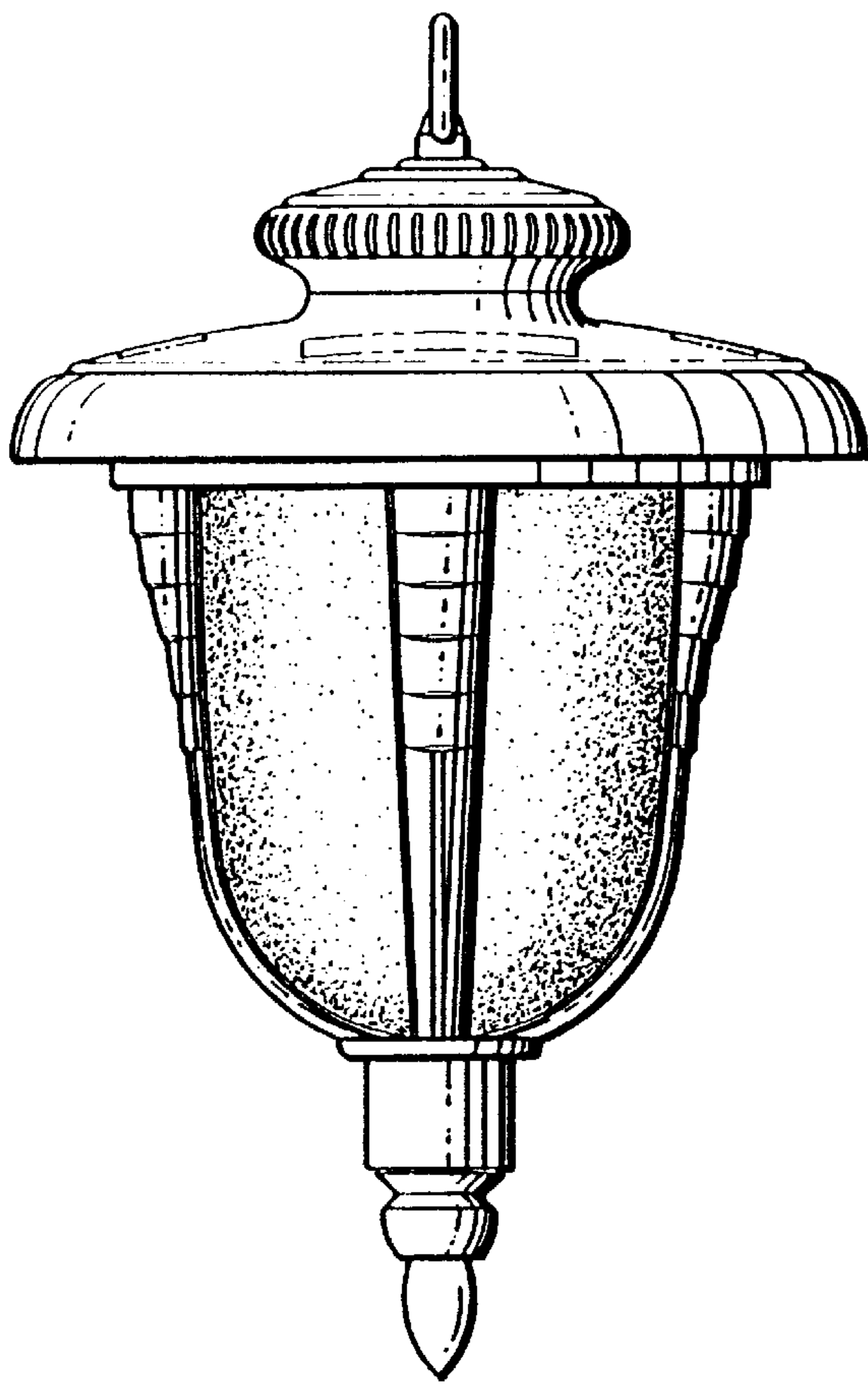


FIG. 2

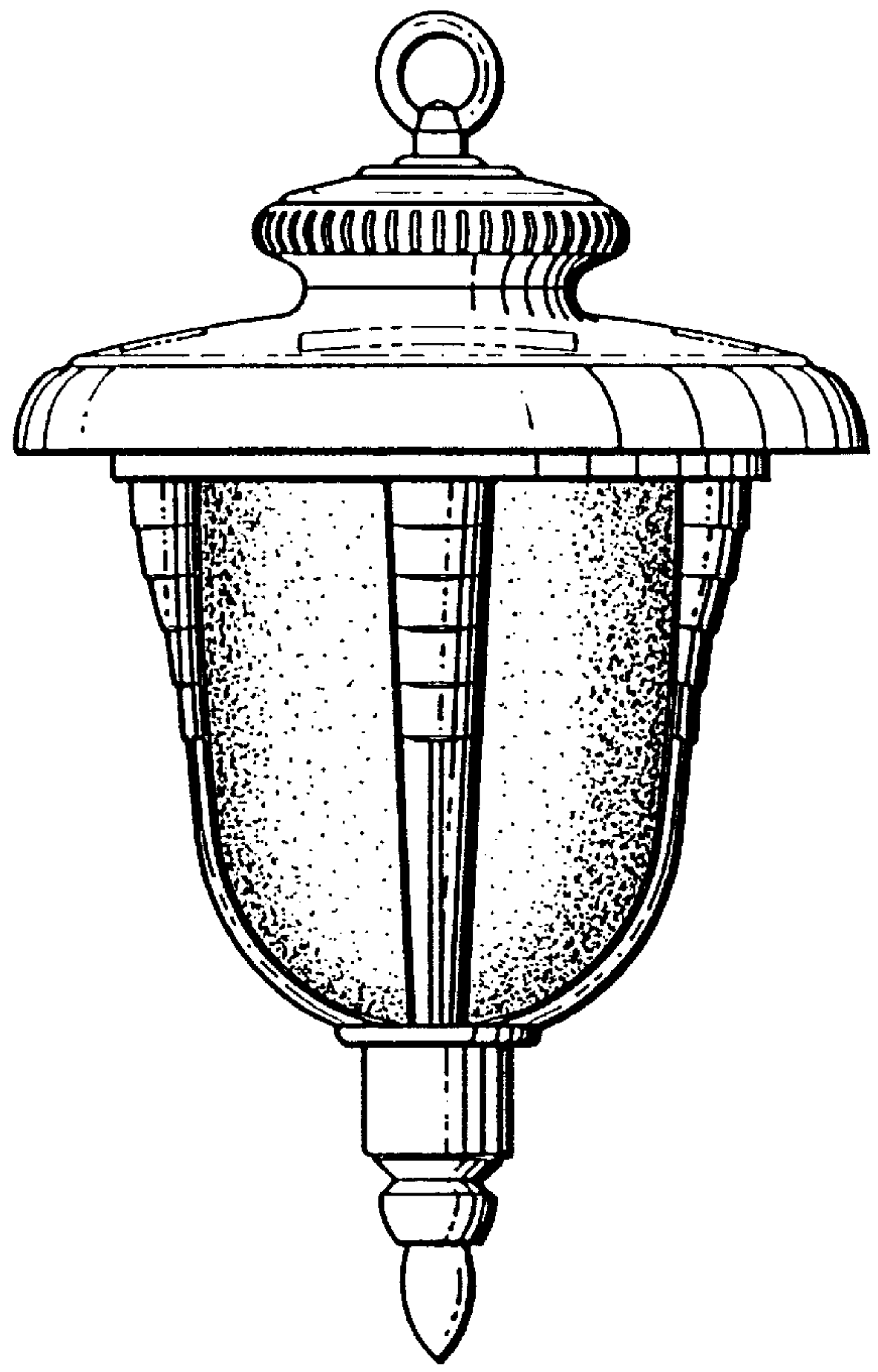


FIG. 3

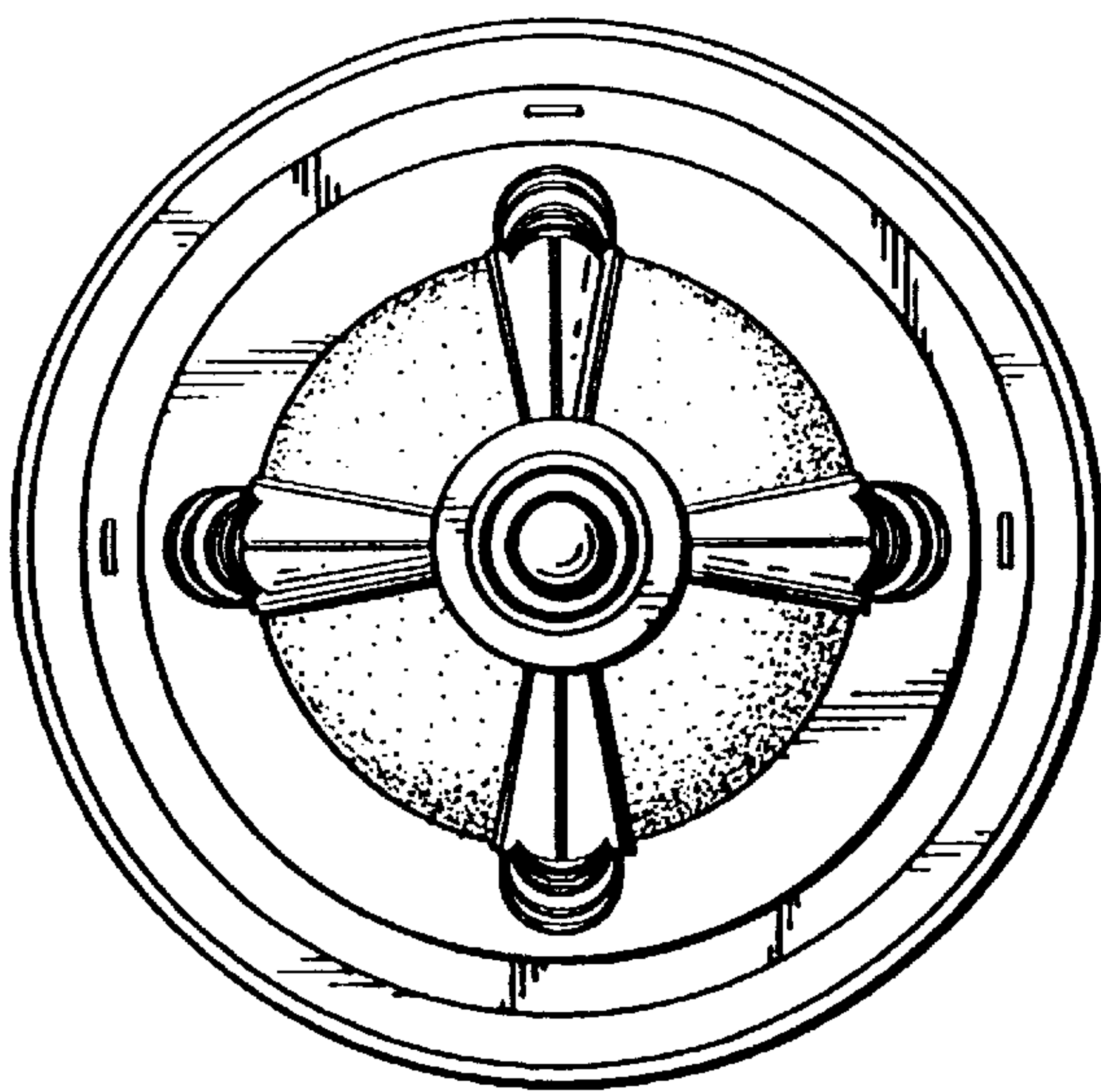


FIG. 4

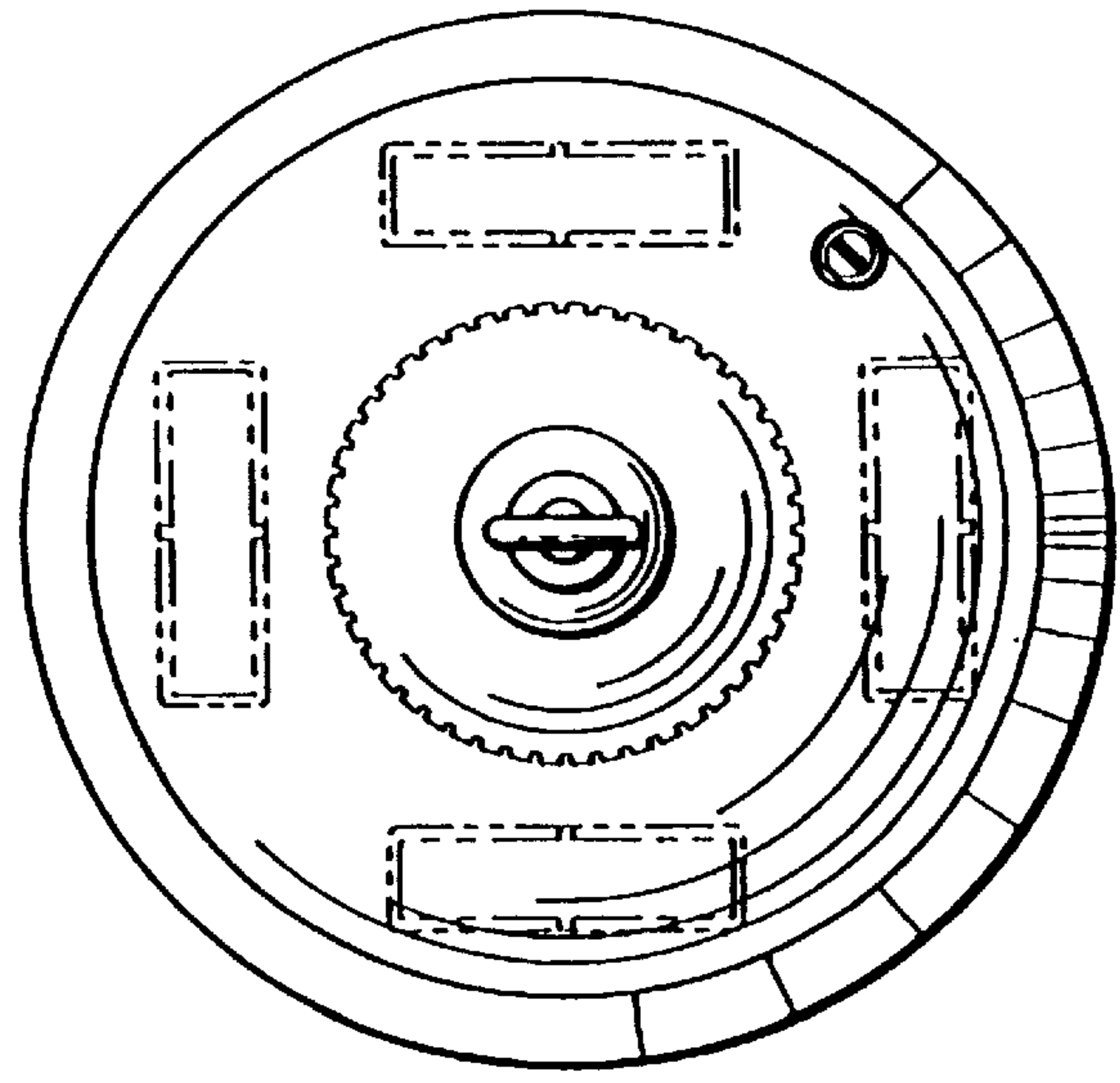


FIG. 5