



US00D446333S

(12) **United States Design Patent**
Fröis

(10) **Patent No.:** **US D446,333 S**

(45) **Date of Patent:** **** Aug. 7, 2001**

(54) **LAMPS HAVING LIGHT SOURCE
DIFFUSERS EXTENDING FROM A LIGHT
SOURCE**

(75) Inventor: **Beatrix Fröis**, Innsbruck (AT)

(73) Assignee: **Zumtobel Staff GmbH**, Dornbirn (AT)

(**) Term: **14 Years**

(21) Appl. No.: **29/112,379**

(22) Filed: **Oct. 14, 1999**

(30) **Foreign Application Priority Data**

Apr. 16, 1999 (DE) 4 99 03 877

(51) **LOC (7) Cl.** **26-05**

(52) **U.S. Cl.** **D26/76**

(58) **Field of Search** D26/75, 76, 77,
D26/78; 362/217, 218, 219, 220, 221, 222

(56) **References Cited**

U.S. PATENT DOCUMENTS

- D. 428,508 * 7/2000 Irvina D26/76
- D. 429,357 * 8/2000 Grimm D26/76
- 6,161,939 * 12/2000 Bansbach 362/223 X

FOREIGN PATENT DOCUMENTS

- 0785458A1 7/1997 (EP) .
- 0787942A2 8/1997 (EP) .
- 2259176A 3/1993 (GB) .

OTHER PUBLICATIONS

Aero/Orea Waveguide luminaires, Zumtobel Staff The Light® brochure No. Art Nr. 04 569 099 UK—Mar. 2000.

* cited by examiner

Primary Examiner—Susan J. Lucas

(74) *Attorney, Agent, or Firm*—Fitzpatrick, Cella, Harper & Scinto

(57) **CLAIM**

The ornamental design for lamps having light source dif-
fusers extending from a light source, as shown and
described.

DESCRIPTION

FIG. 1 is an end view of a first embodiment of the new
design;

FIG. 2 is a perspective view of the first embodiment of the
new design as seen from the bottom thereof;

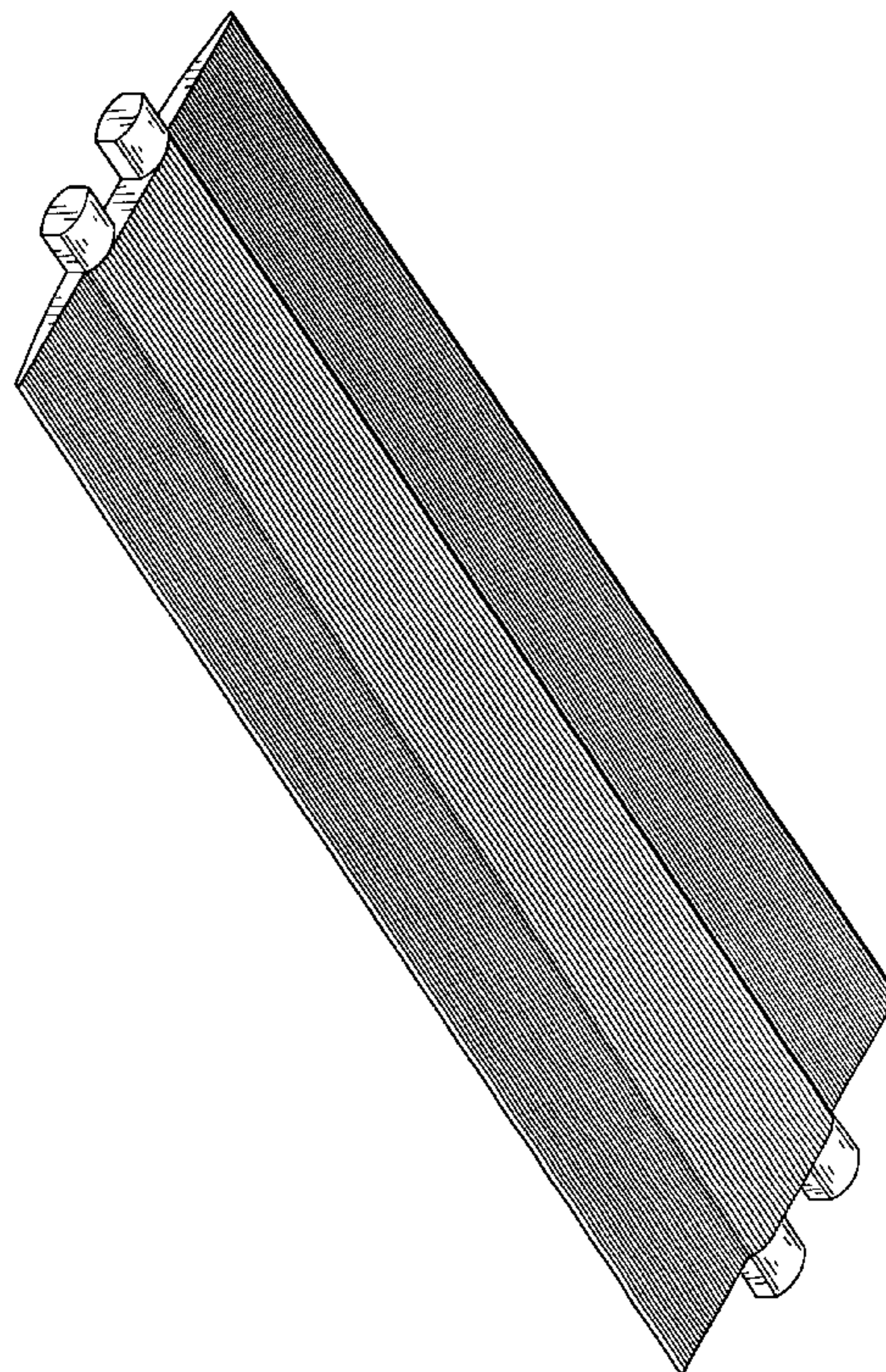
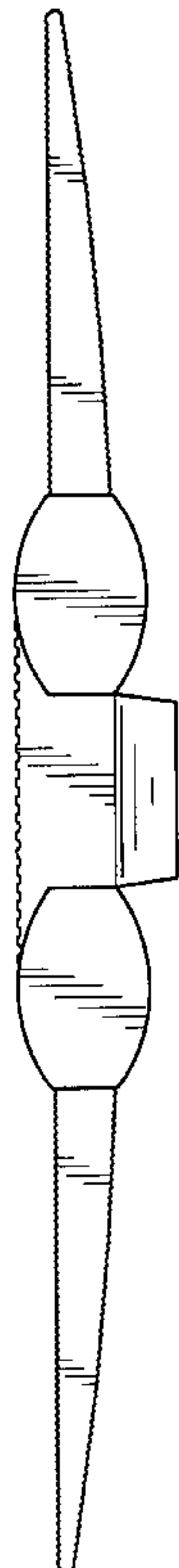
FIG. 3 is a perspective view of the first embodiment of the
new design as seen from the top thereof;

FIG. 4 is an end view of a second embodiment of the new
design;

FIG. 5 is a perspective view of the second embodiment of
the new design as seen from the bottom thereof; and,

FIG. 6 is a perspective view of the second embodiment of
the new design as seen from the top thereof.

1 Claim, 6 Drawing Sheets



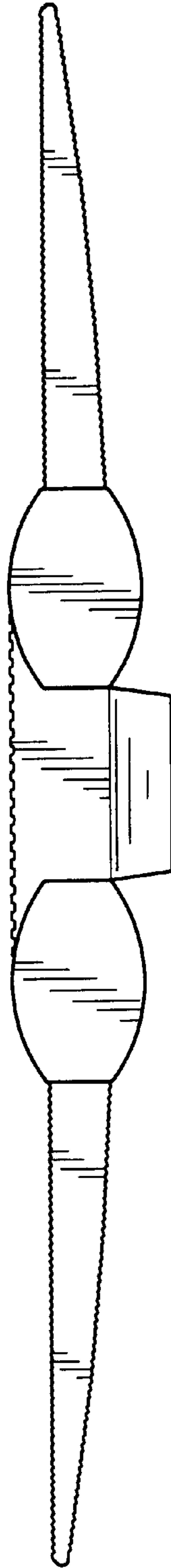


FIG. 1

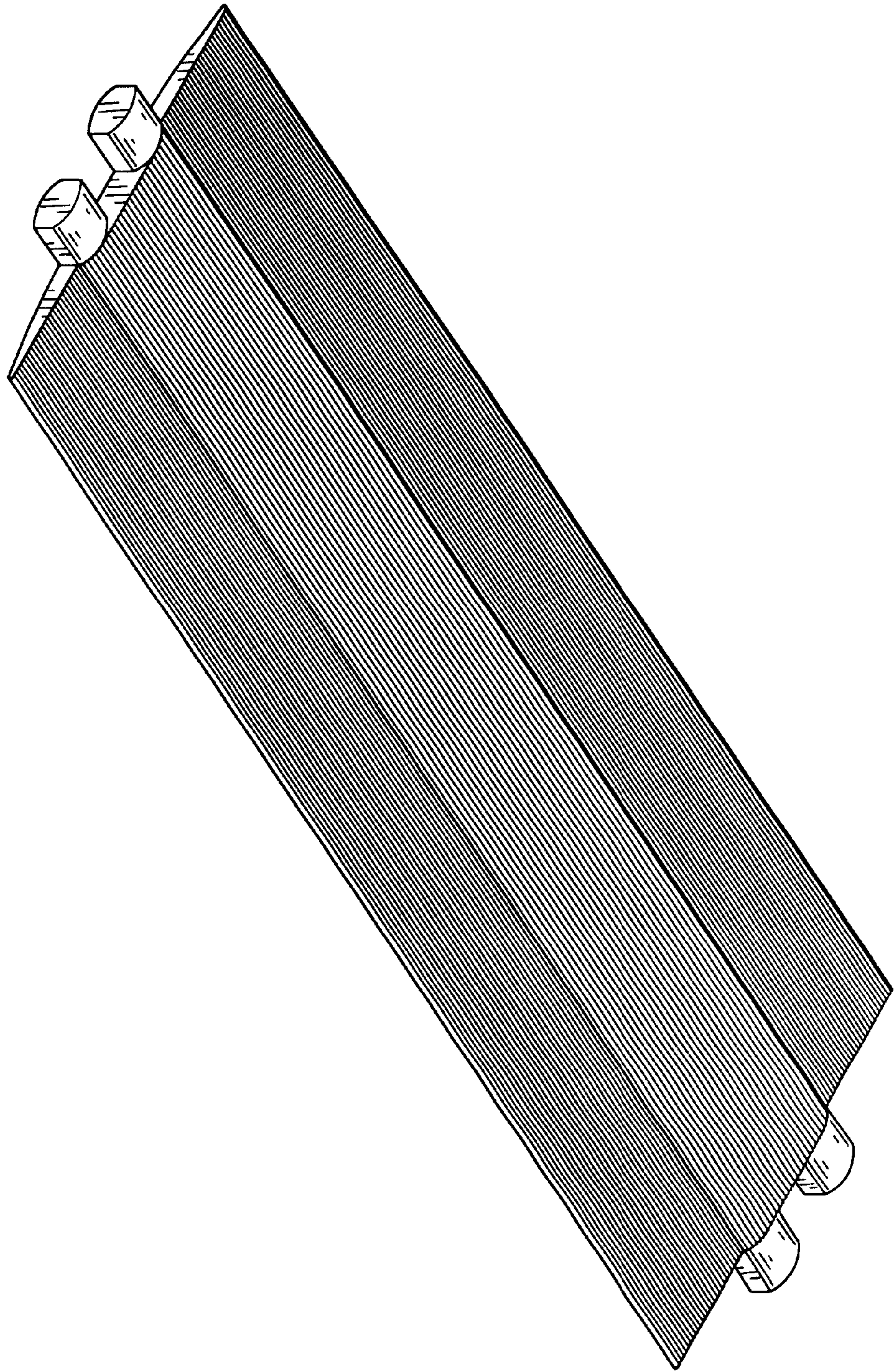


FIG. 2

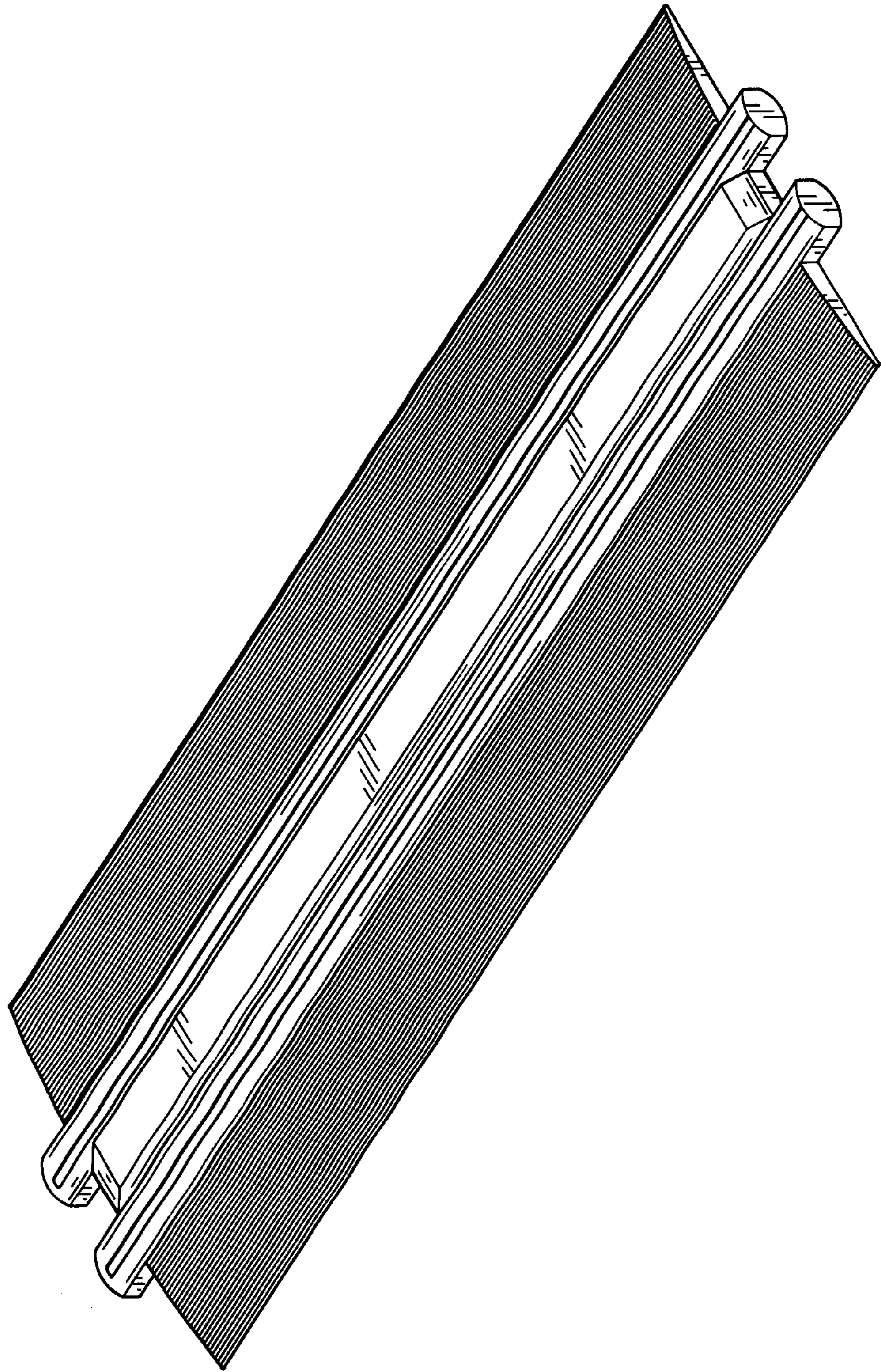


FIG. 3

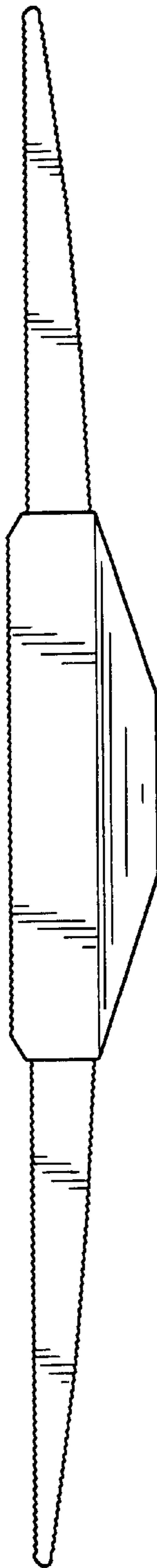


FIG. 4

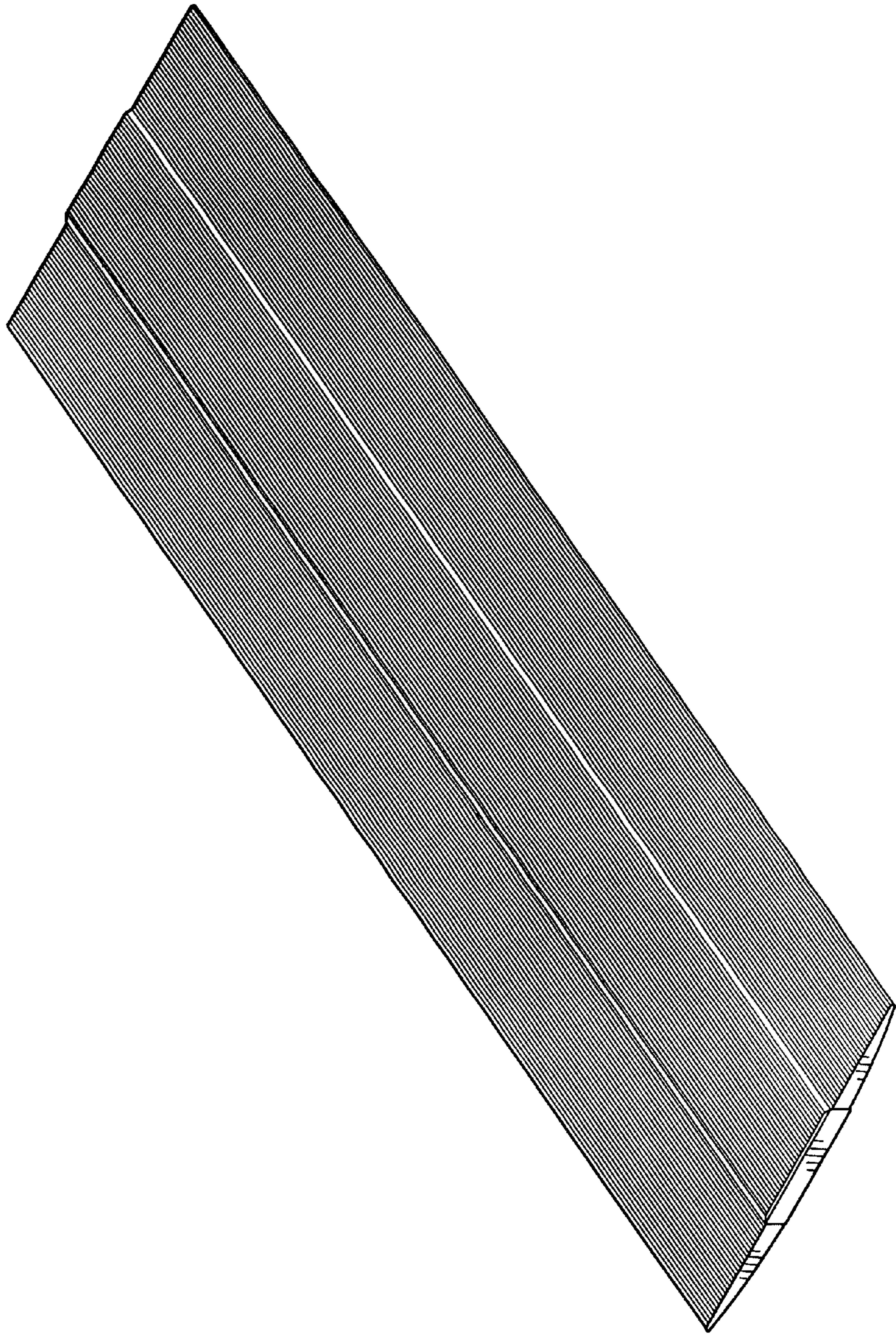


FIG. 5

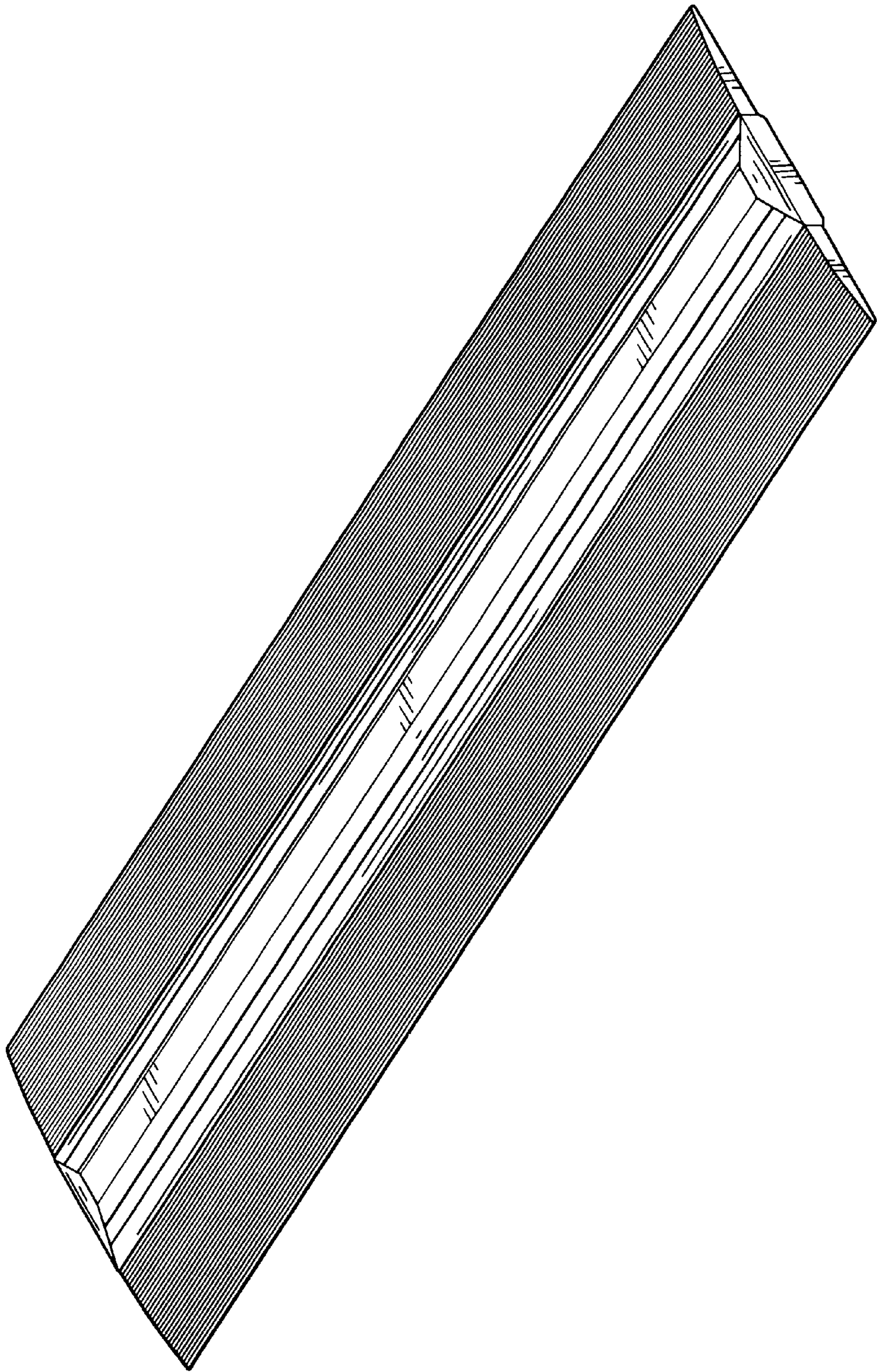


FIG. 6