



US00D446331S

(12) **United States Design Patent** (10) **Patent No.:** **US D446,331 S**  
**Phillips** (45) **Date of Patent:** **\*\* Aug. 7, 2001**

(54) **LIGHT FIXTURE**

(75) Inventor: **Todd L. Phillips**, Charleston, SC (US)

(73) Assignee: **Quoizel, Inc.**, Goose Creek, SC (US)

(\*\*) Term: **14 Years**

(21) Appl. No.: **29/134,655**

(22) Filed: **Dec. 21, 2000**

(51) **LOC (7) Cl.** ..... **26-05**

(52) **U.S. Cl.** ..... **D26/72**

(58) **Field of Search** ..... D26/72, 80-92;  
362/147, 404-408, 432

(56) **References Cited**

**U.S. PATENT DOCUMENTS**

- D. 91,510 2/1934 Clarke ..... D26/57
- D. 437,073 \* 1/2001 De' Armond ..... D26/72

**OTHER PUBLICATIONS**

American Latern catalog, 1990, p. 16, lantern # 2435.\*  
 Corbett Lighting catalog, 1995, p. 17, wall lantern, # 3755.\*  
 Hinkley Lighting catalog, 1990, p. 29, hanging # 4780 Pewter.\*  
 Item No. K-9883 VP, Catalog p. 371, Kichler Lighting Catalog No. 198, 1998.  
 Item No. 8924-91, Catalog p. 37, Minka Lavery Catalog, 1999.  
 Item No. 8733-94, Catalog p. 27, Minka Lavery Catalog entitled "The Great Outdoors—Collection of Outdoor Lighting," 1999.

Item No. 8928-66, Catalog p. 36, Minka Lavery Catalog entitled "The Great Outdoors—Collection of Outdoor Lighting," 1998.

Hinkley Lighting Catalog, 1990, p. 50, wall lantern # 2938. Home Lighting and Accessories, Mar. 1996, p. 41, center wall lantern.

Corbett Lighting Catalog, 1993, p. E16, post lantern # 5766.

\* cited by examiner

*Primary Examiner*—Susan J. Lucas

(74) *Attorney, Agent, or Firm*—Nelson Mullins Riley & Scarborough

(57) **CLAIM**

The ornamental design for a light fixture, substantially as shown and described.

**DESCRIPTION**

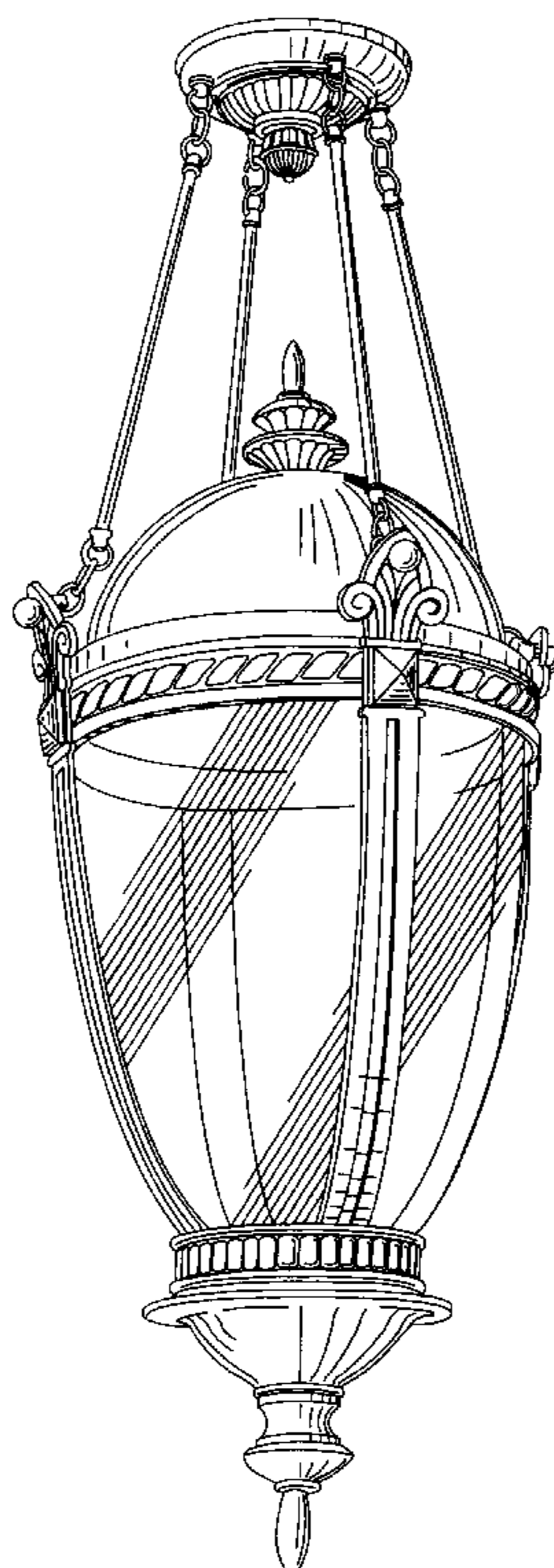
FIG. 1 is a perspective view of a light fixture embodying the design of the present invention.

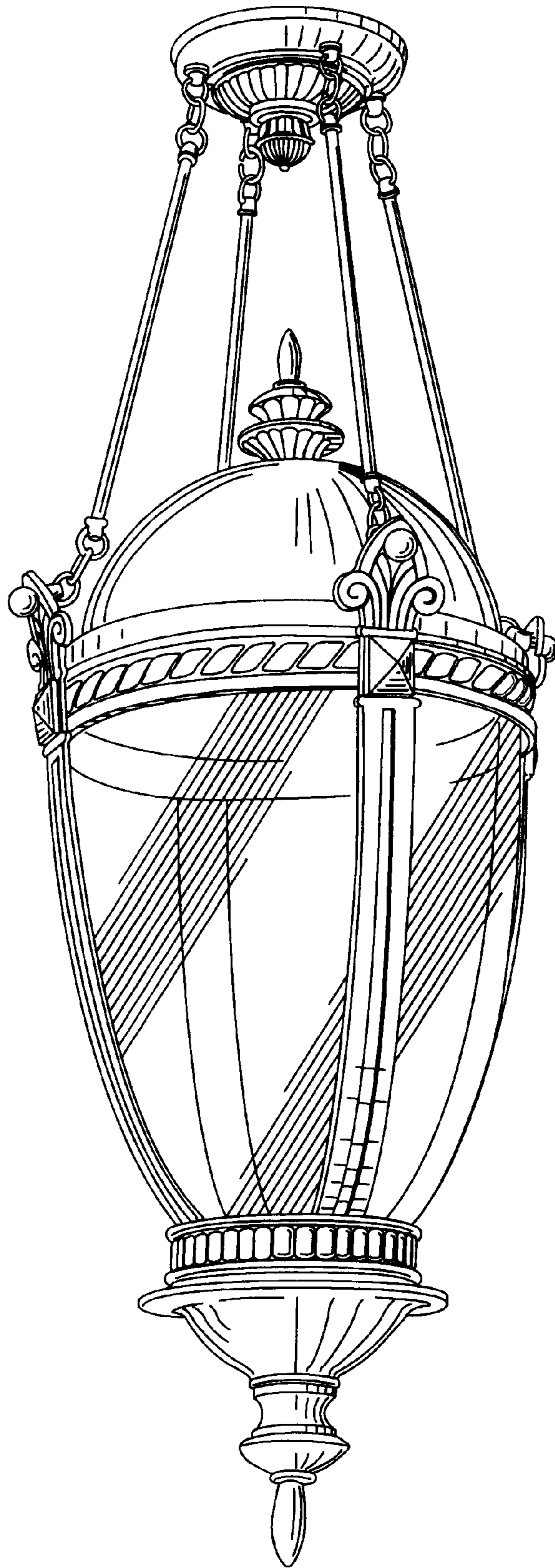
FIG. 2 is a front side elevational view of the light fixture illustrated in FIG. 1 on an enlarged scale, with the back side elevational view, right side elevational view and left side elevational view being identical thereto.

FIG. 3 is a top view of the light fixture shown in FIG. 1 on an enlarged scale; and,

FIG. 4 is a bottom view of the light fixture of FIG. 1 on an enlarged scale.

**1 Claim, 4 Drawing Sheets**





*FIG. 1.*

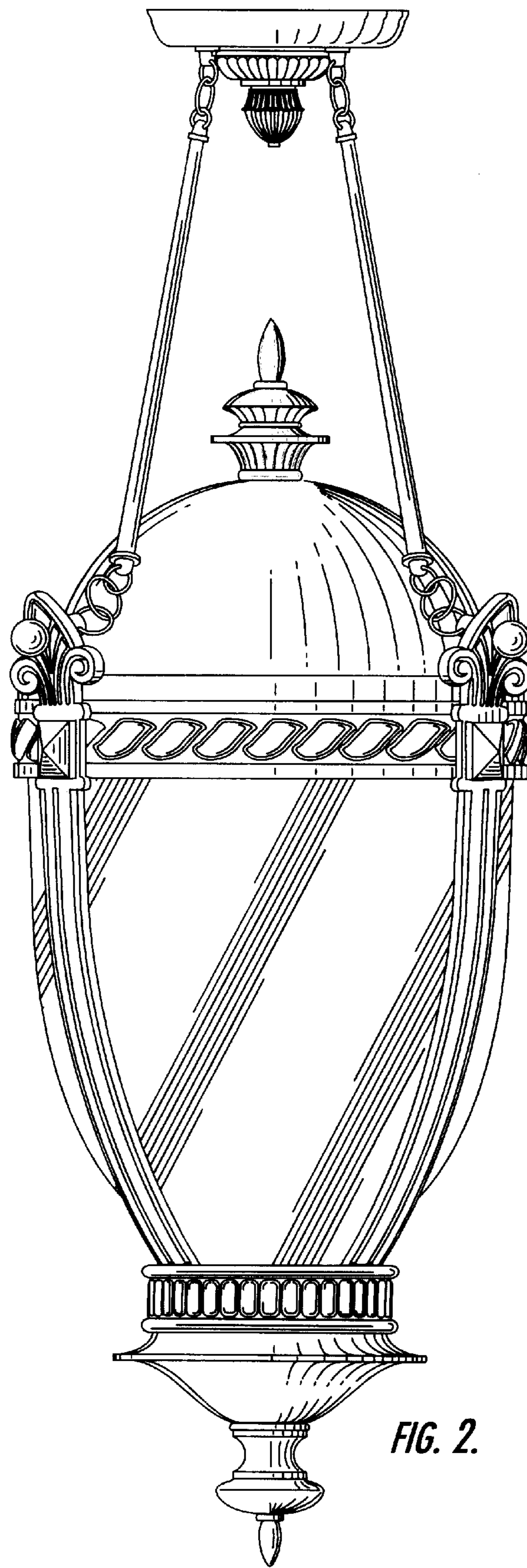


FIG. 2.



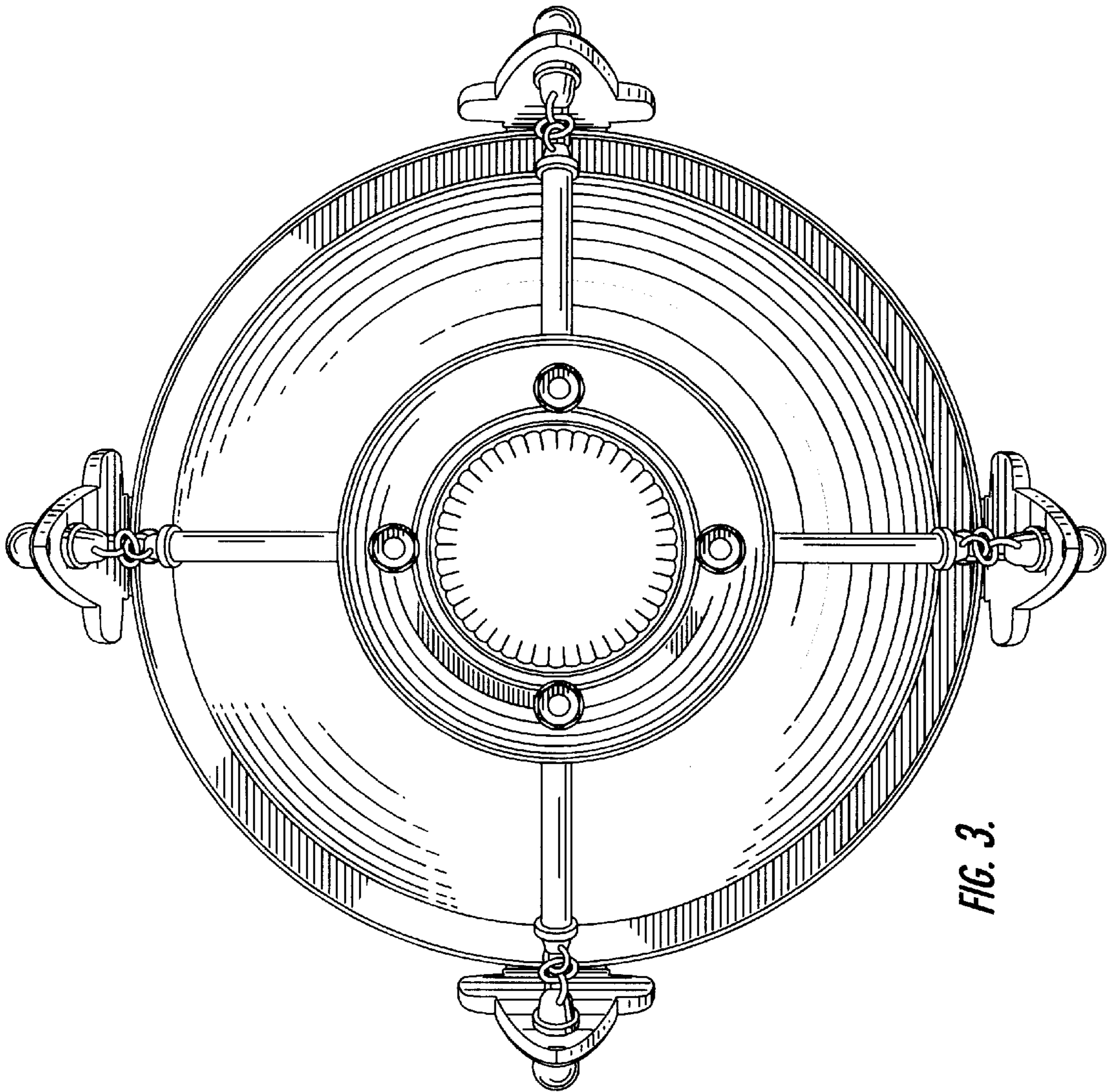


FIG. 3.

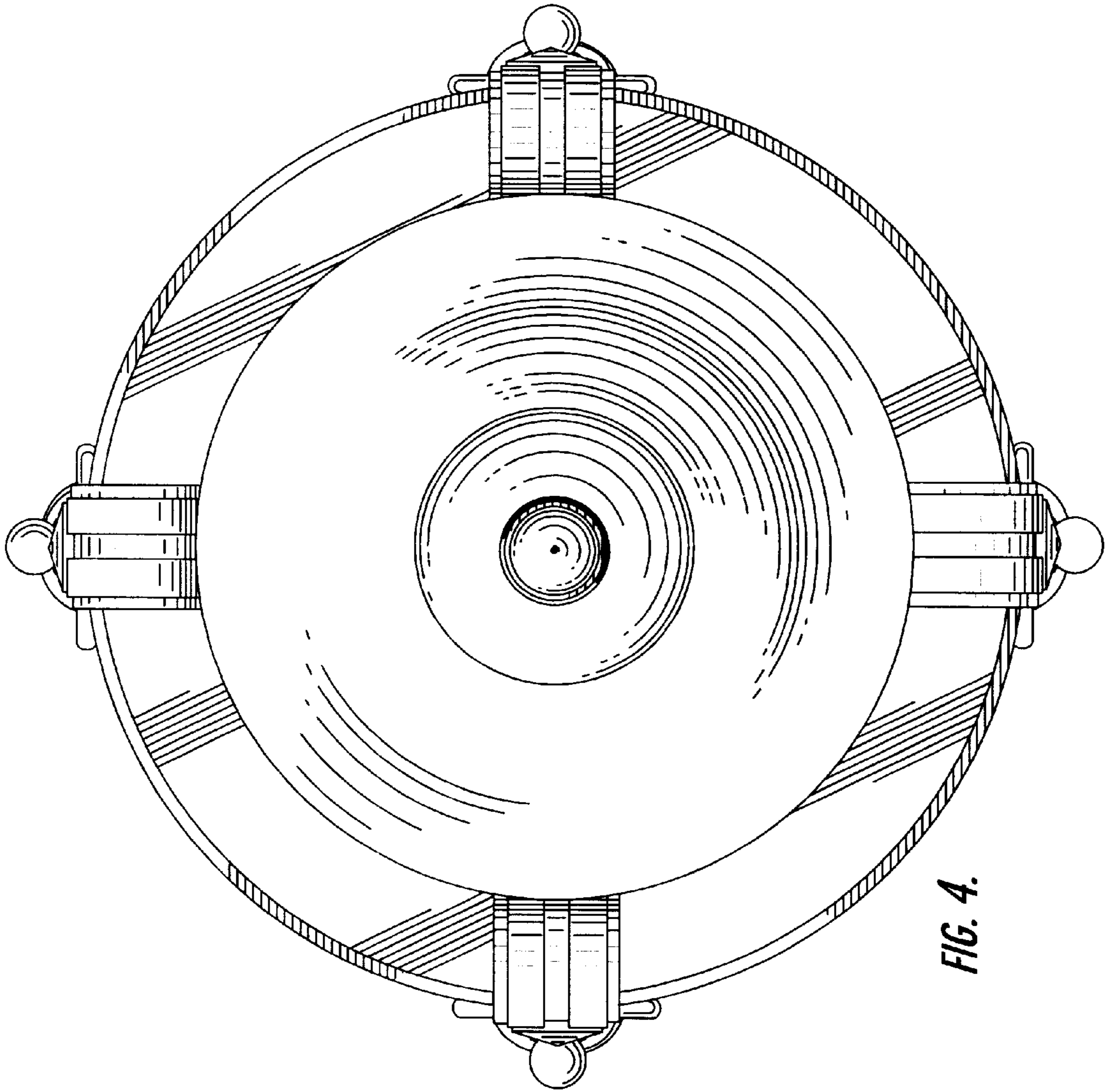


FIG. 4.