



US00D446329S

(12) **United States Design Patent**
Lau

(10) **Patent No.:** **US D446,329 S**

(45) **Date of Patent:** **** Aug. 7, 2001**

(54) **STUDIO LIGHT**

(75) **Inventor:** **Patrick Ting-Yup Lau, Quarry Bay (CN)**

(73) **Assignee:** **Rabbit Tanaka Corporation Limited, Hong Kong (CN)**

(**) **Term:** **14 Years**

(21) **Appl. No.:** **29/131,052**

(22) **Filed:** **Oct. 10, 2000**

(51) **LOC (7) Cl.** **26-05**

(52) **U.S. Cl.** **D26/63**

(58) **Field of Search** D26/60-66; 362/267, 362/269, 287, 285, 278, 418, 419, 427, 430, 404-414

(56) **References Cited**

U.S. PATENT DOCUMENTS

- D. 136,799 * 12/1943 Vendope D26/60
- D. 433,178 * 10/2000 Donato D26/63 X

- D. 439,356 * 3/2001 Martinson D26/63
- 6,019,484 * 2/2000 Seyler 362/287
- 6,213,626 * 4/2001 Qian 362/413

* cited by examiner

Primary Examiner—Susan J. Lucas

(74) *Attorney, Agent, or Firm*—Alix, Yale & Ristas, LLP

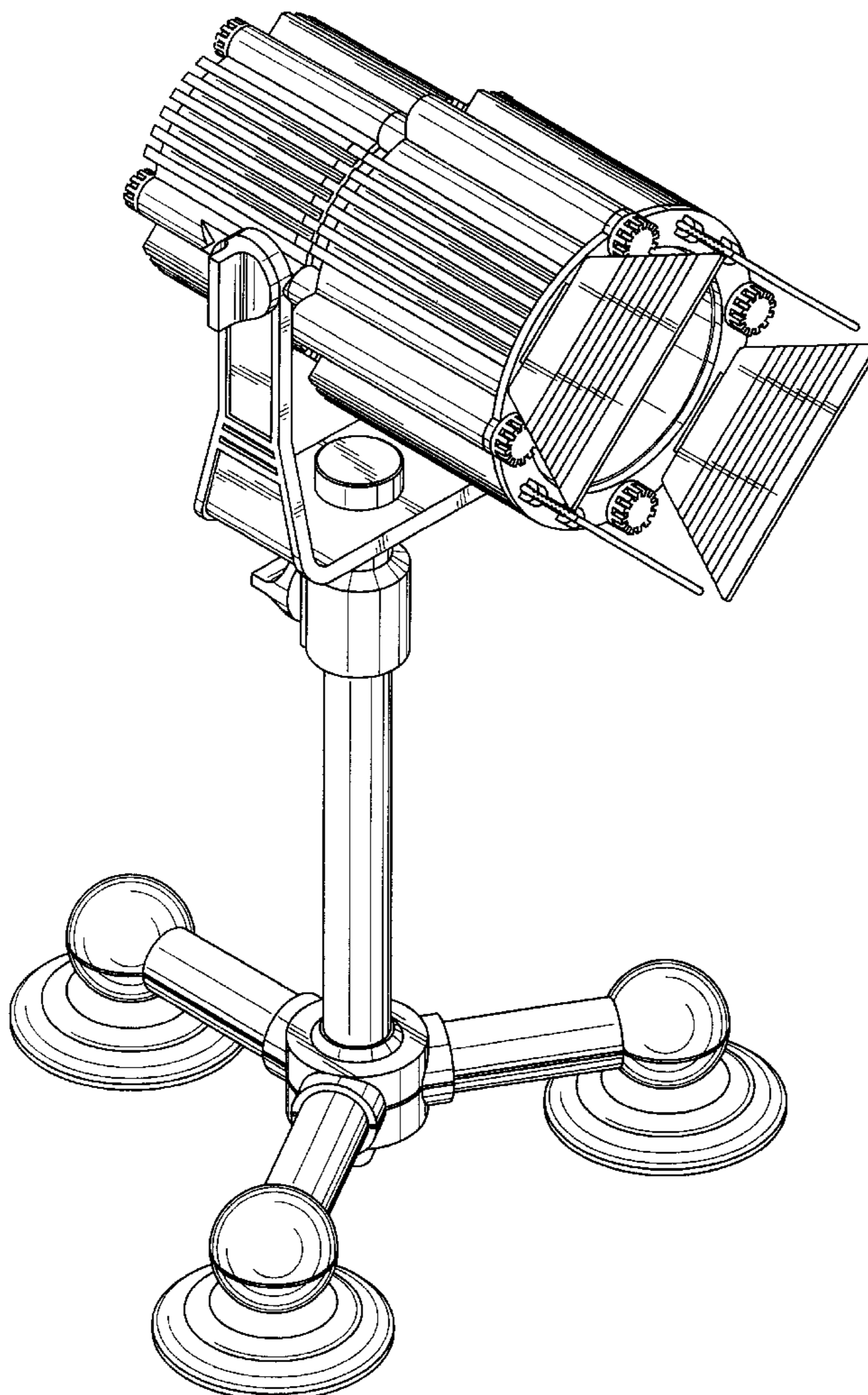
(57) **CLAIM**

The ornamental design for a studio light, as shown and described.

DESCRIPTION

FIG. 1 is a perspective view of a studio light showing my new design;
 FIG. 2 is a front elevational view thereof;
 FIG. 3 is a rear elevational view thereof;
 FIG. 4 is a left side elevational view thereof;
 FIG. 5 is a right side elevational view thereof; and
 FIG. 6 is a top plan view thereof; and
 FIG. 7 is a bottom plan view thereof.

1 Claim, 7 Drawing Sheets



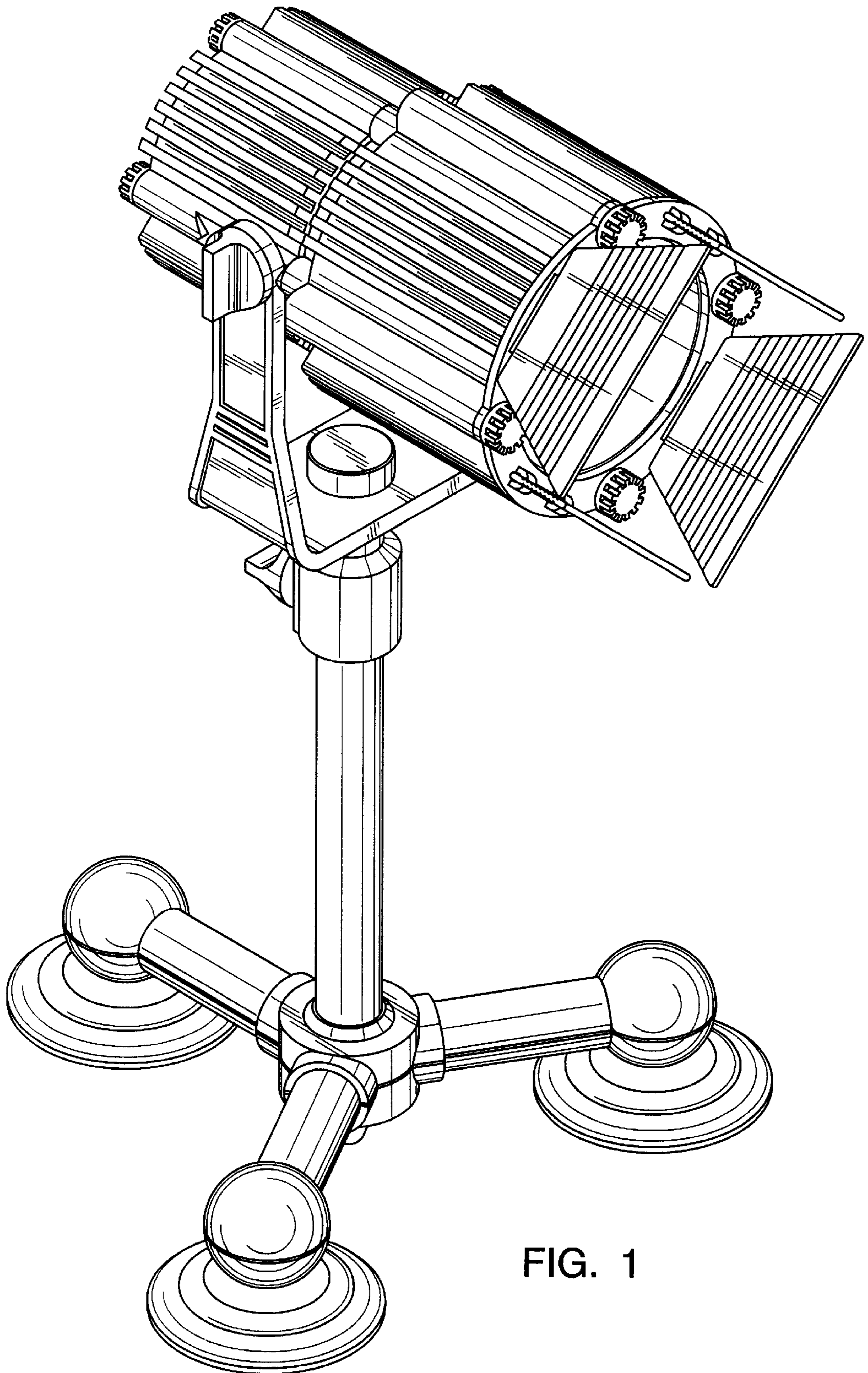


FIG. 1

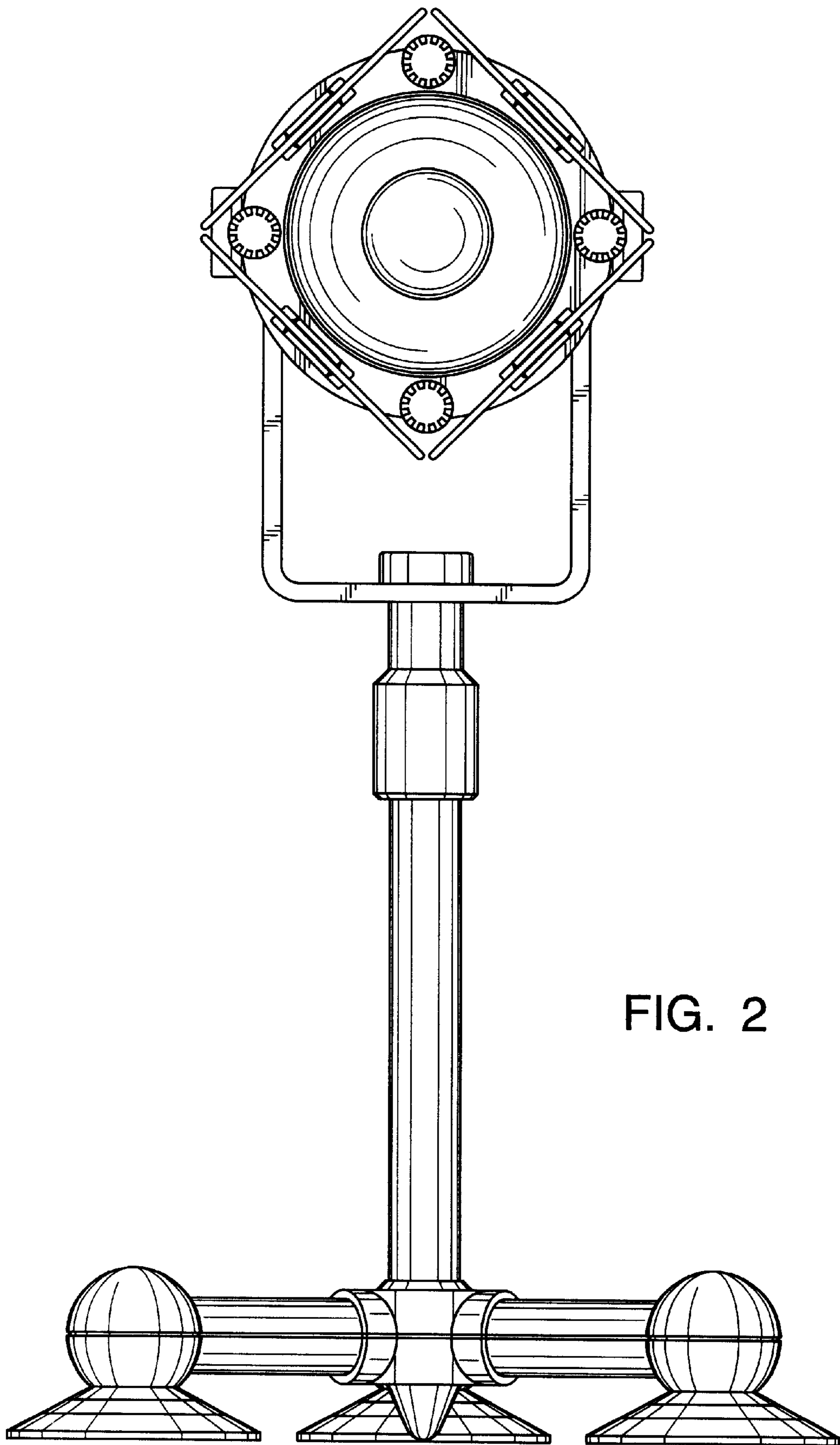


FIG. 2

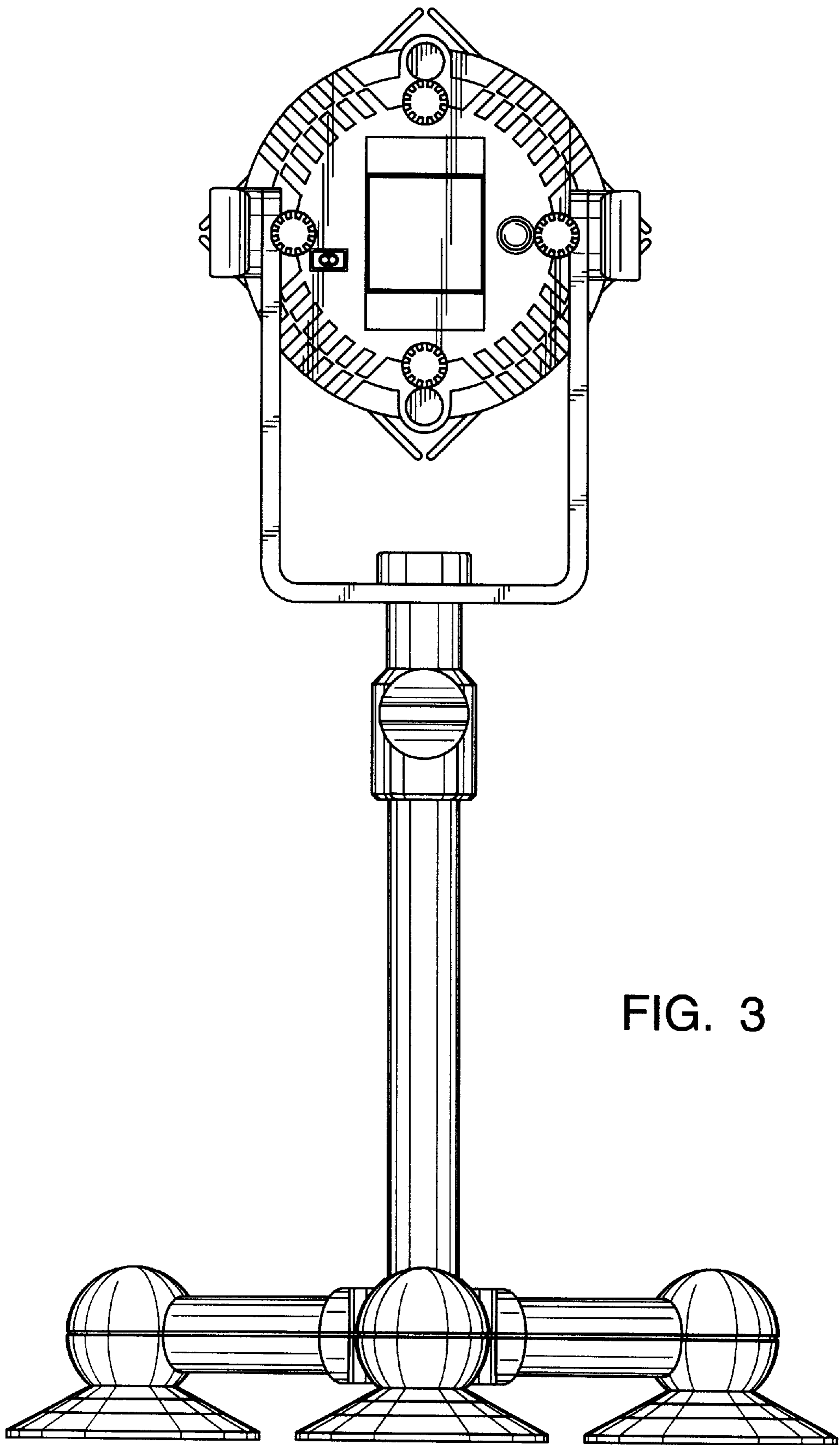


FIG. 3

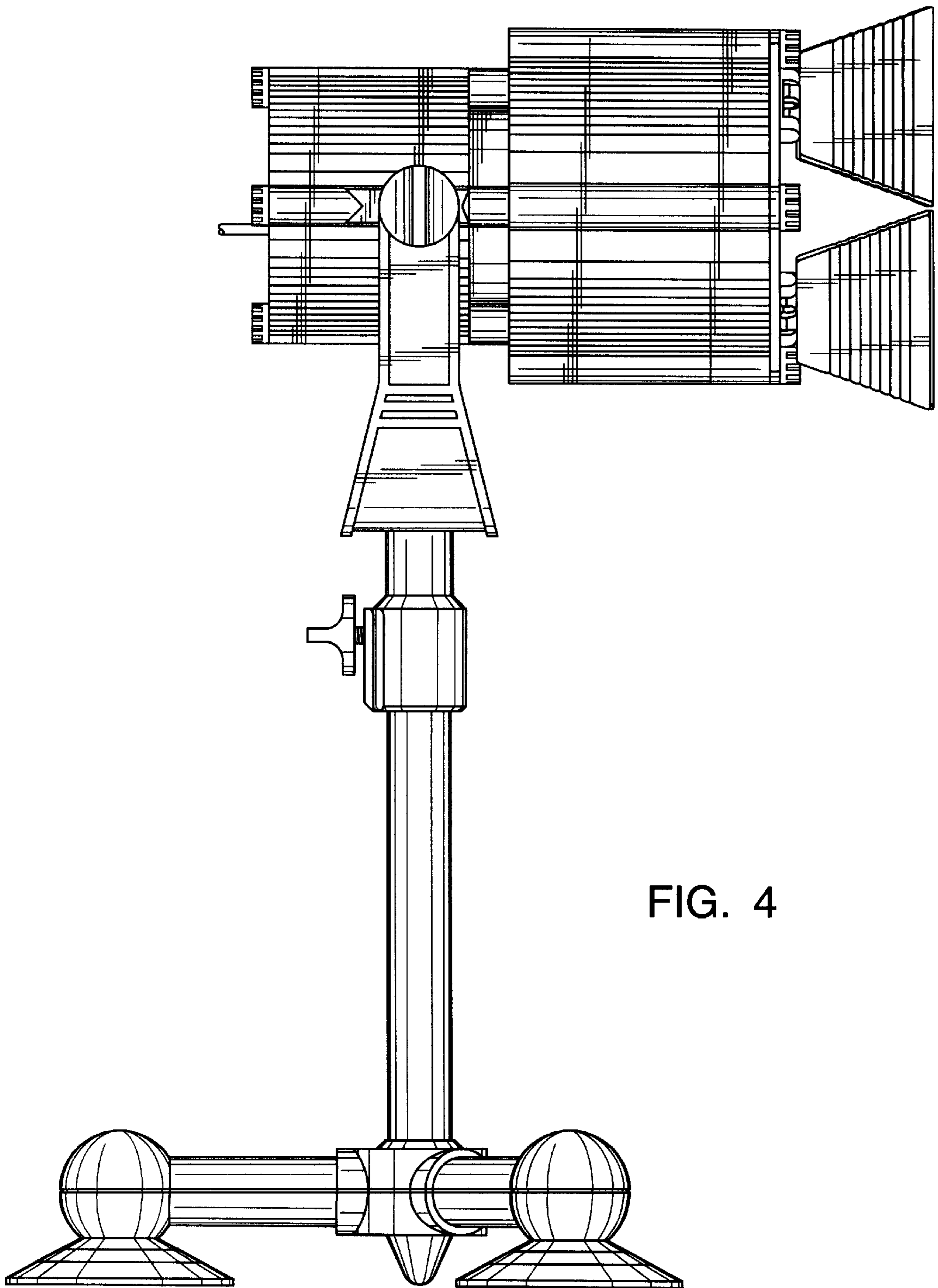


FIG. 4

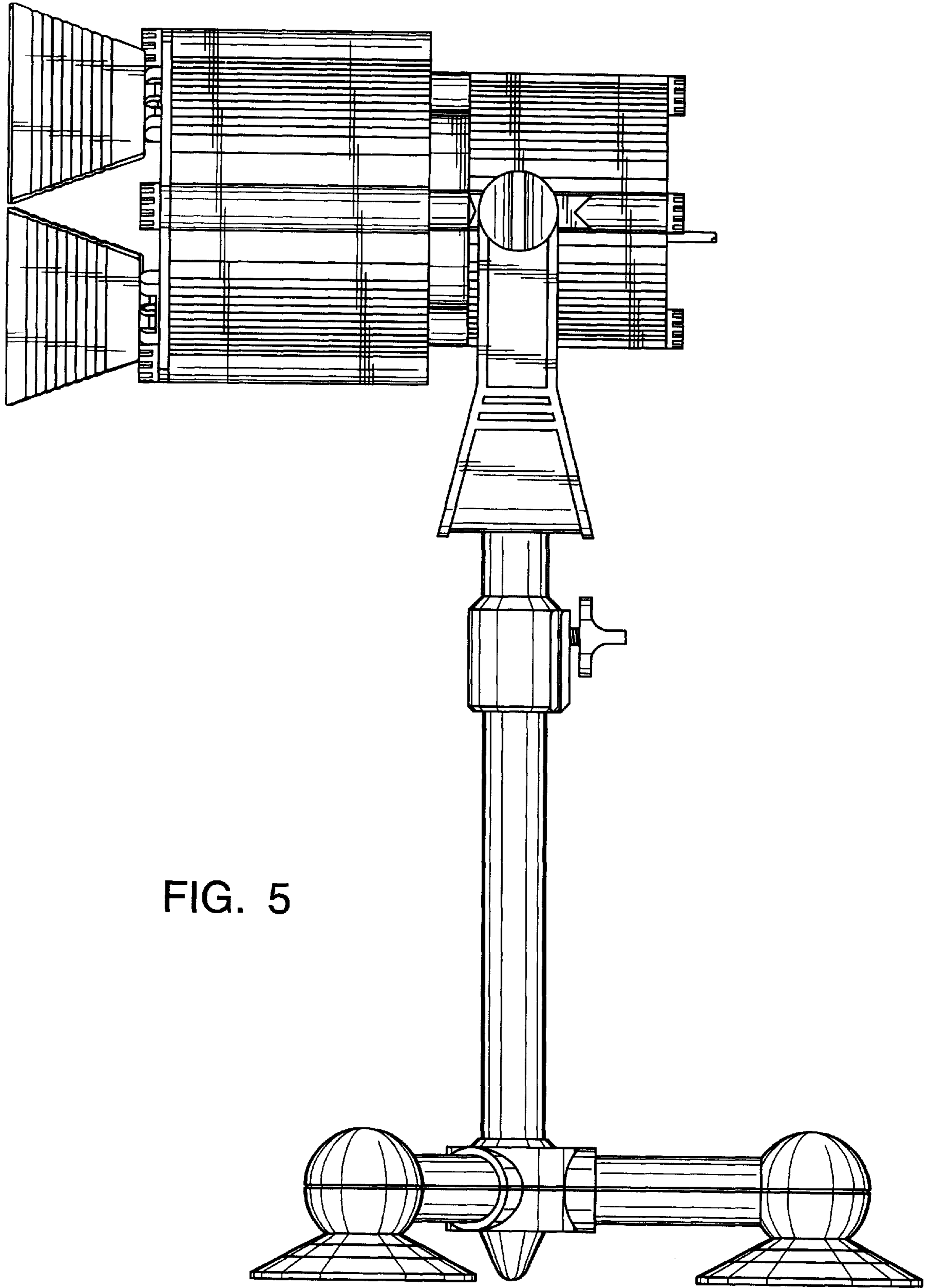


FIG. 5

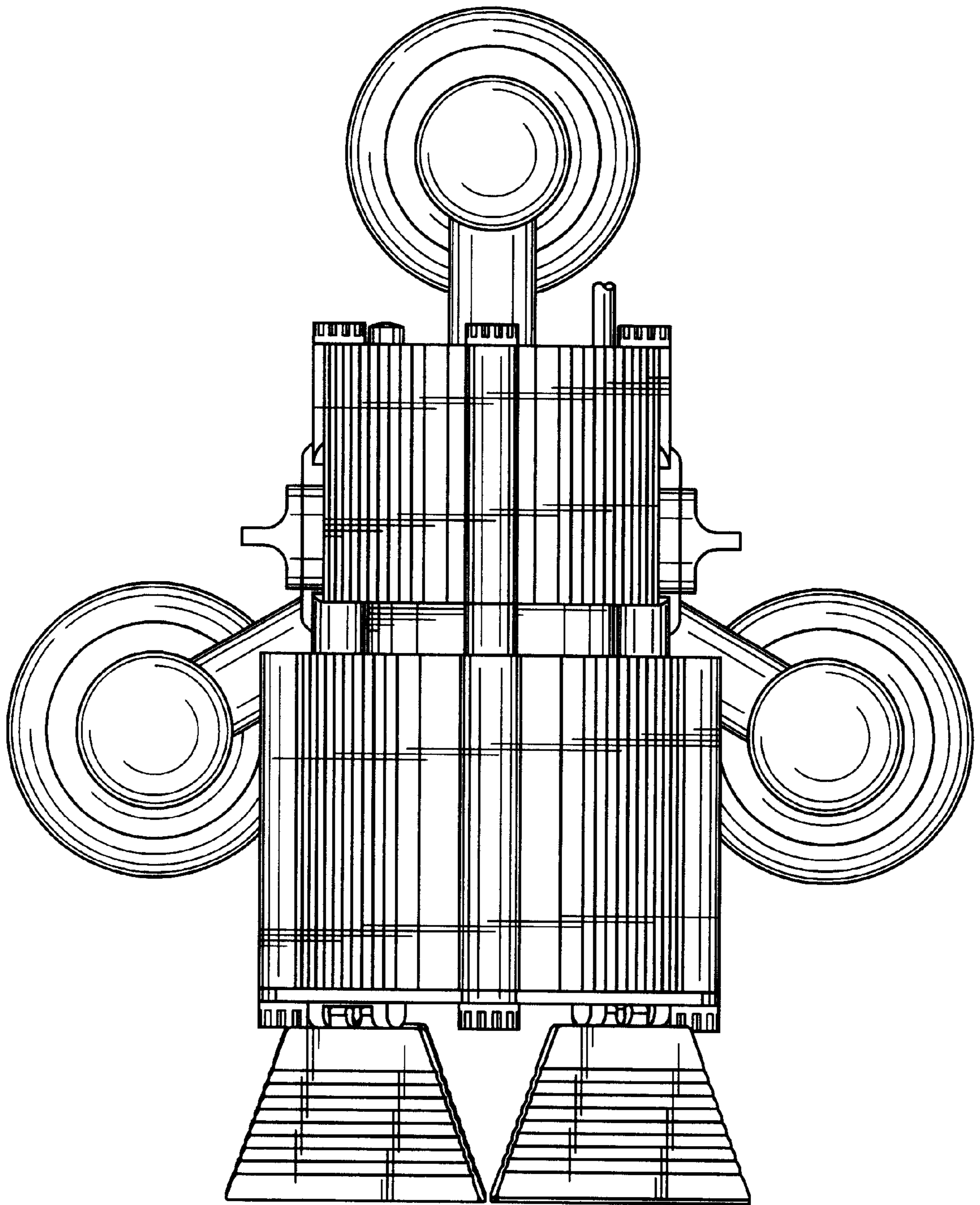


FIG. 6

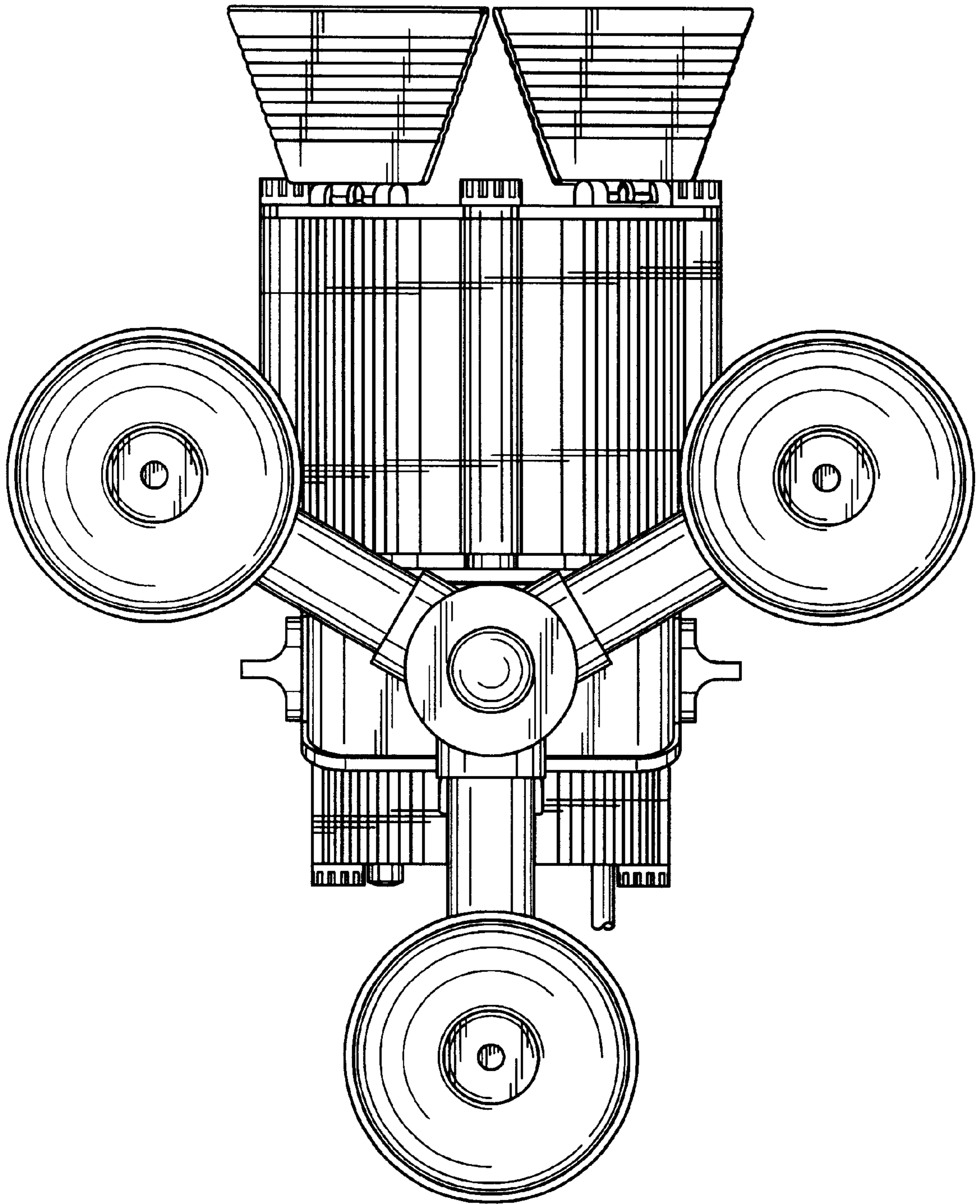


FIG. 7

UNITED STATES PATENT AND TRADEMARK OFFICE
CERTIFICATE OF CORRECTION

PATENT NO. : Des. 446,329 S
DATED : August 7, 2001
INVENTOR(S) : Lau

Page 1 of 1

It is certified that error appears in the above-identified patent and that said Letters Patent is hereby corrected as shown below:

Title page,

Insert -- [30]

Foreign Application Priority Data

04/13/2000 Hong Kong 0010434.1 --.

Signed and Sealed this

Thirty-first Day of January, 2006

A handwritten signature in black ink on a dotted background. The signature reads "Jon W. Dudas" in a cursive style.

JON W. DUDAS

Director of the United States Patent and Trademark Office