



US00D446326S

(12) **United States Design Patent**
Yeun

(10) **Patent No.:** **US D446,326 S**

(45) **Date of Patent:** **** Aug. 7, 2001**

(54) **RECHARGEABLE HALOGEN LANTERN**

(76) **Inventor:** **Se Kit Yeun**, 6/F Yau Lee Centre, 45 Hoi Yuen Road, Kwun Tong, Kowloon (HK)

(**) **Term:** **14 Years**

(21) **Appl. No.:** **29/134,604**

(22) **Filed:** **Dec. 21, 2000**

(51) **LOC (7) Cl.** **26-02**

(52) **U.S. Cl.** **D26/48**

(58) **Field of Search** D26/37-50; 362/157, 362/158, 171, 173, 183-208

(56) **References Cited**

U.S. PATENT DOCUMENTS

D. 403,454	*	12/1998	Zelina, Jr. et al.	D26/48
D. 415,850	*	10/1999	Dalton et al.	D26/48
D. 418,931	*	1/2000	Poon	D26/48
D. 438,317	*	2/2001	Yuen	D26/48

* cited by examiner

Primary Examiner—Marcus A. Jackson

(74) *Attorney, Agent, or Firm*—Raymond Y. Chan; David and Raymond Patent Group

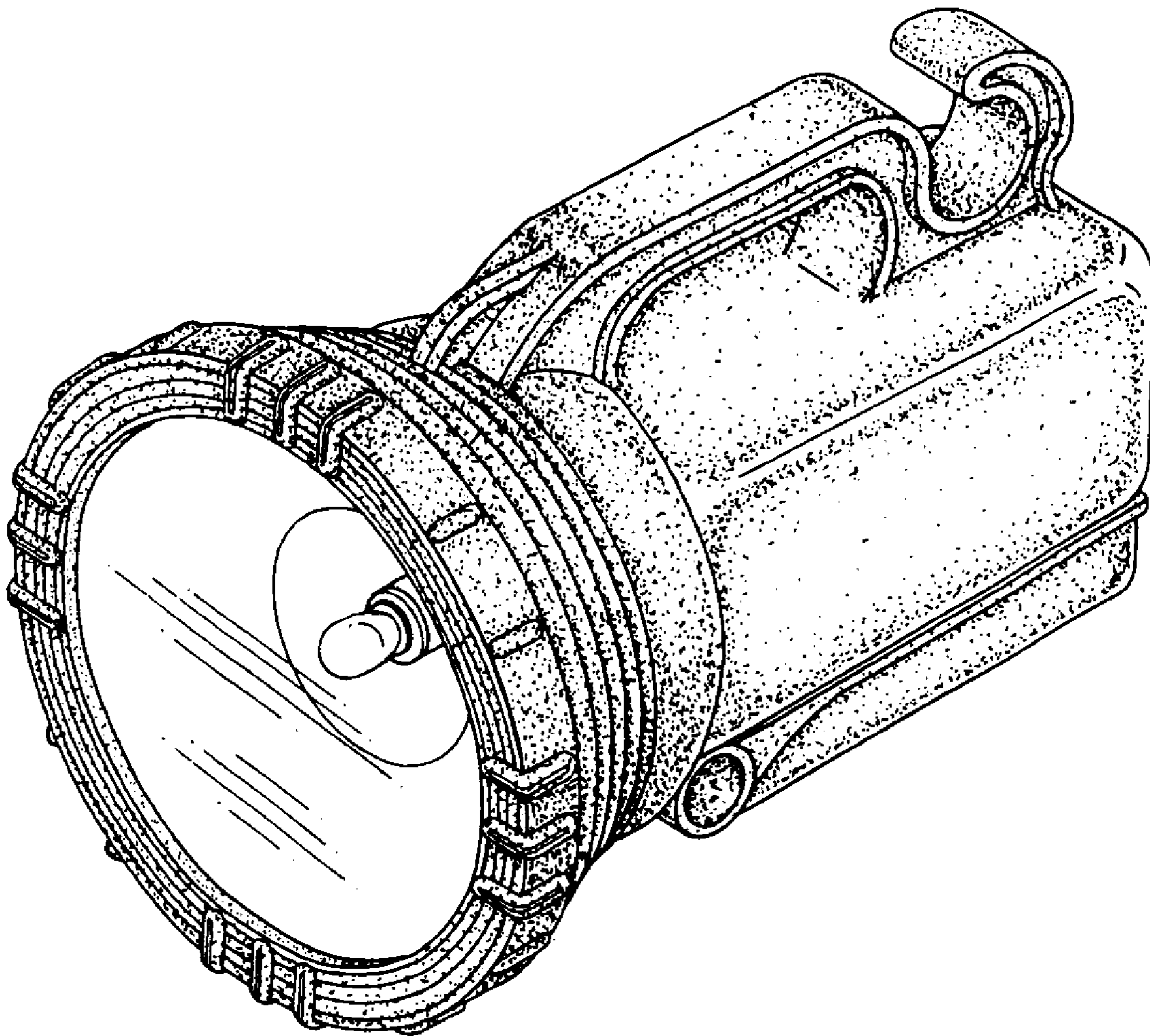
(57) **CLAIM**

The ornamental design for a rechargeable halogen lantern, as shown and described.

DESCRIPTION

FIG. 1 is a prespective view thereof.
 FIG. 2 is a front view thereof.
 FIG. 3 is a rear view thereof.
 FIG. 4 is a right view thereof.
 FIG. 5 is a left view thereof.
 FIG. 6 is a top view thereof.
 FIG. 7 is a bottom view thereof; and,
 FIG. 8 is a perspective view showing the rechargeable halogen lantern of my new design, illustrating the stand of the rechargeable halogen lantern in an open position.

1 Claim, 8 Drawing Sheets



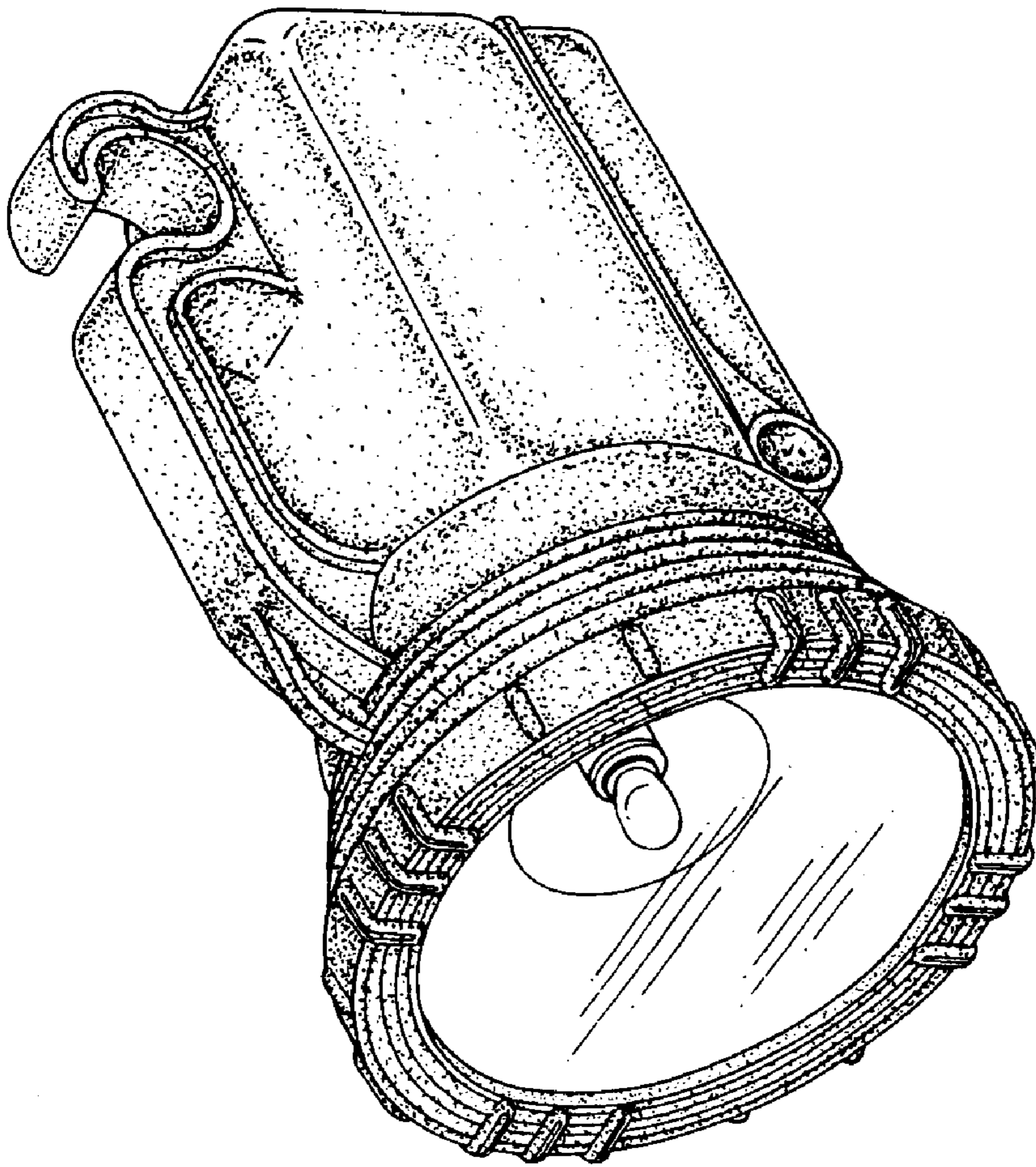


FIG.1

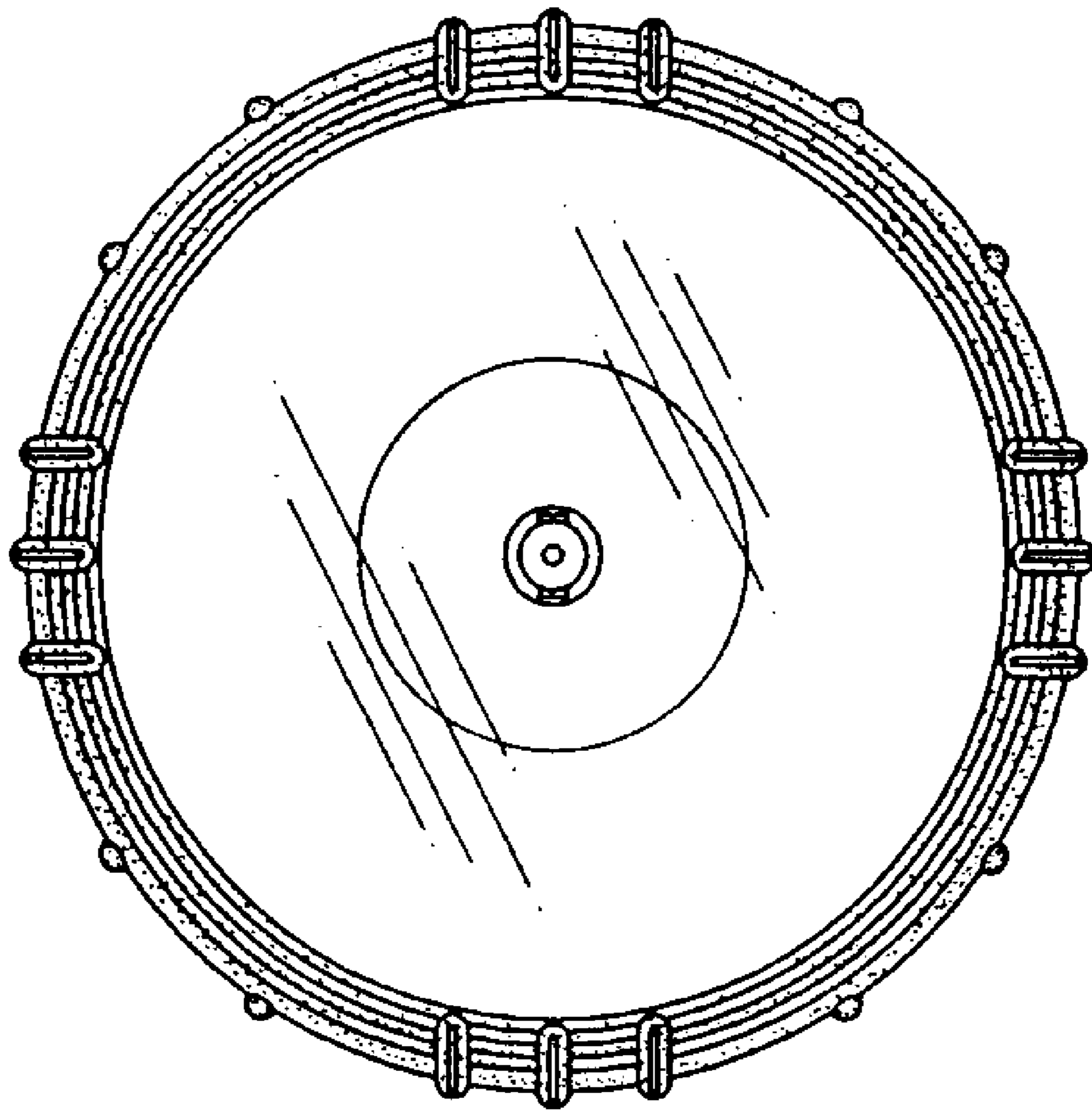


FIG.2

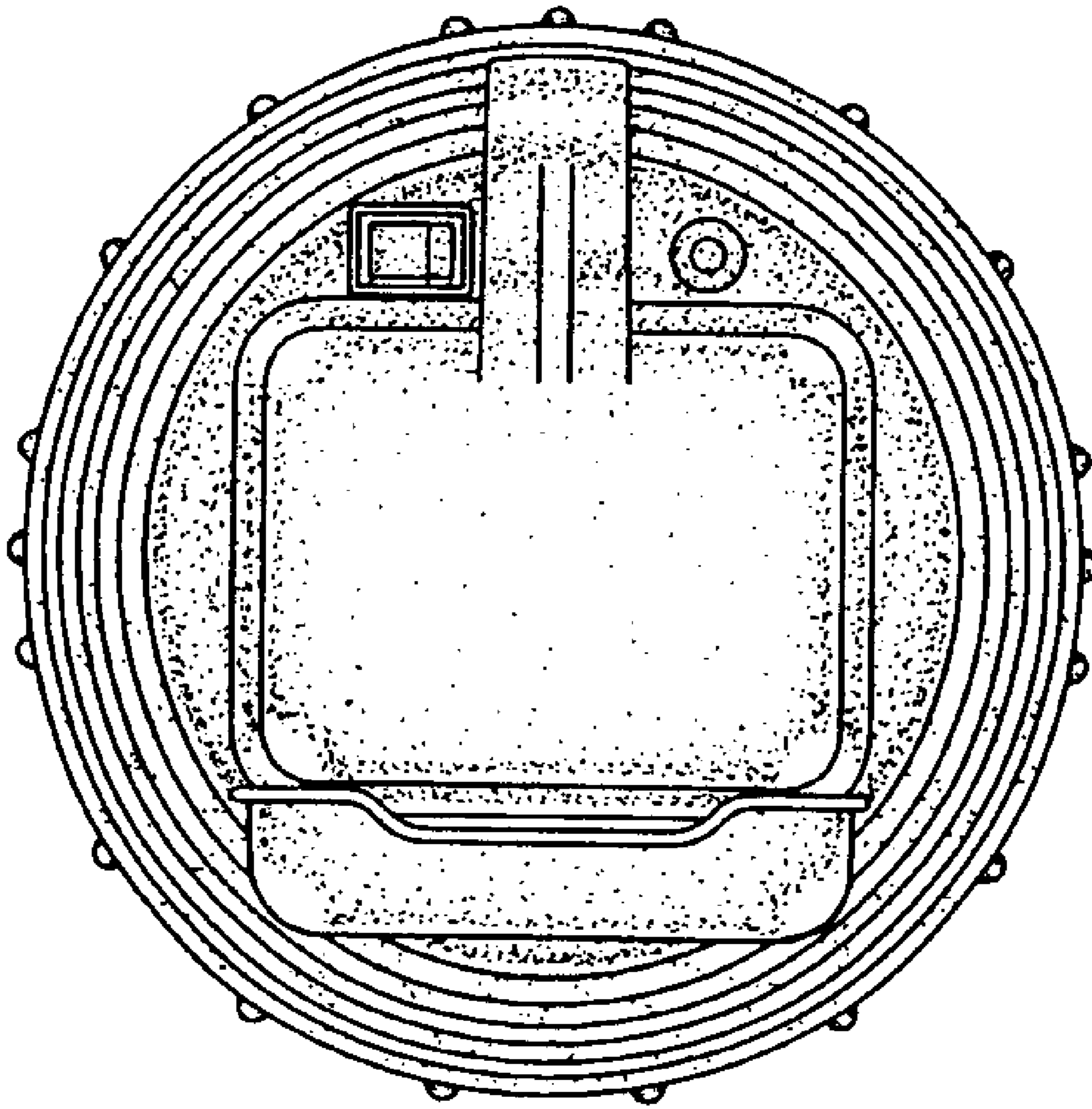


FIG.3

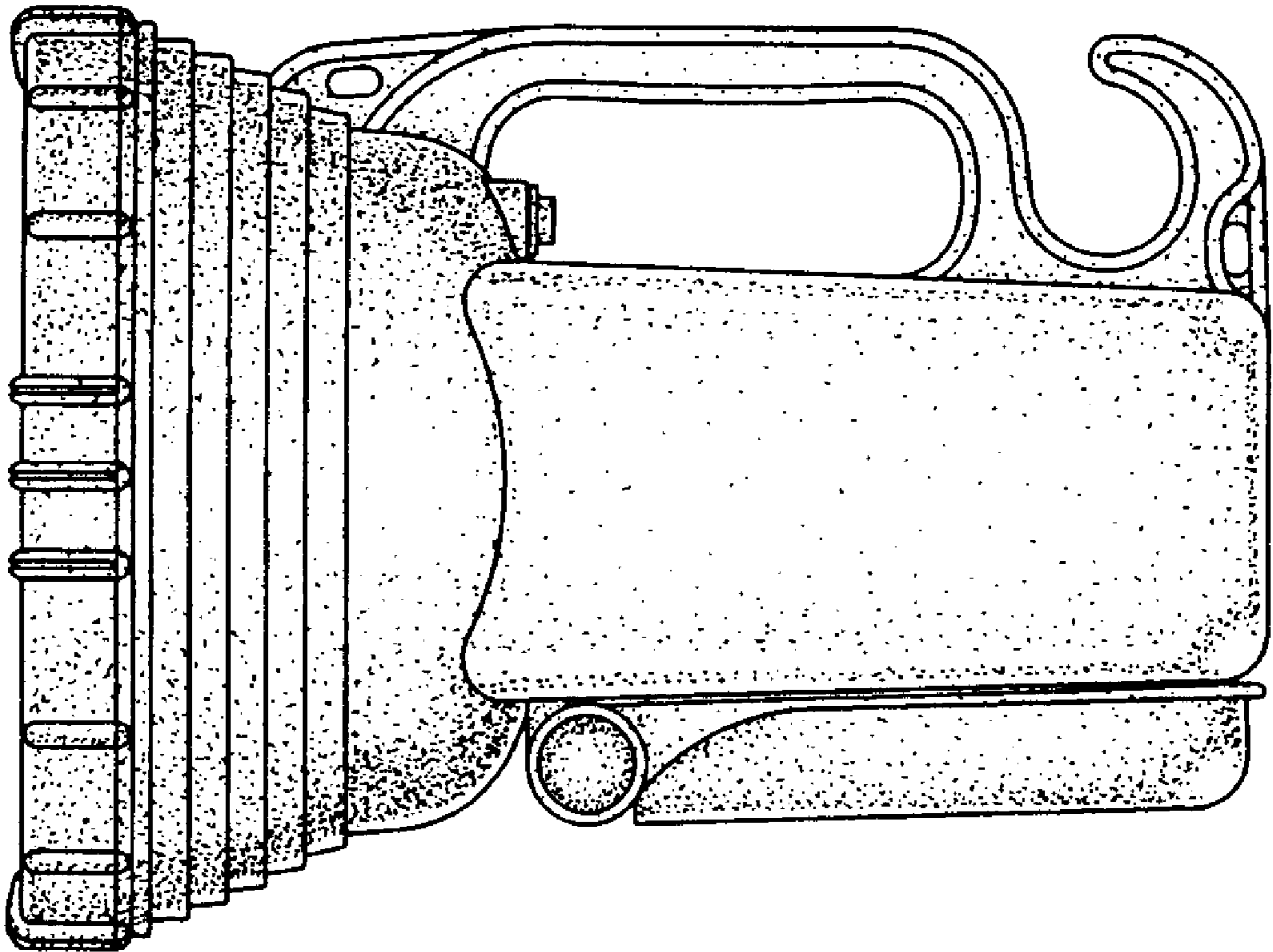


FIG.4

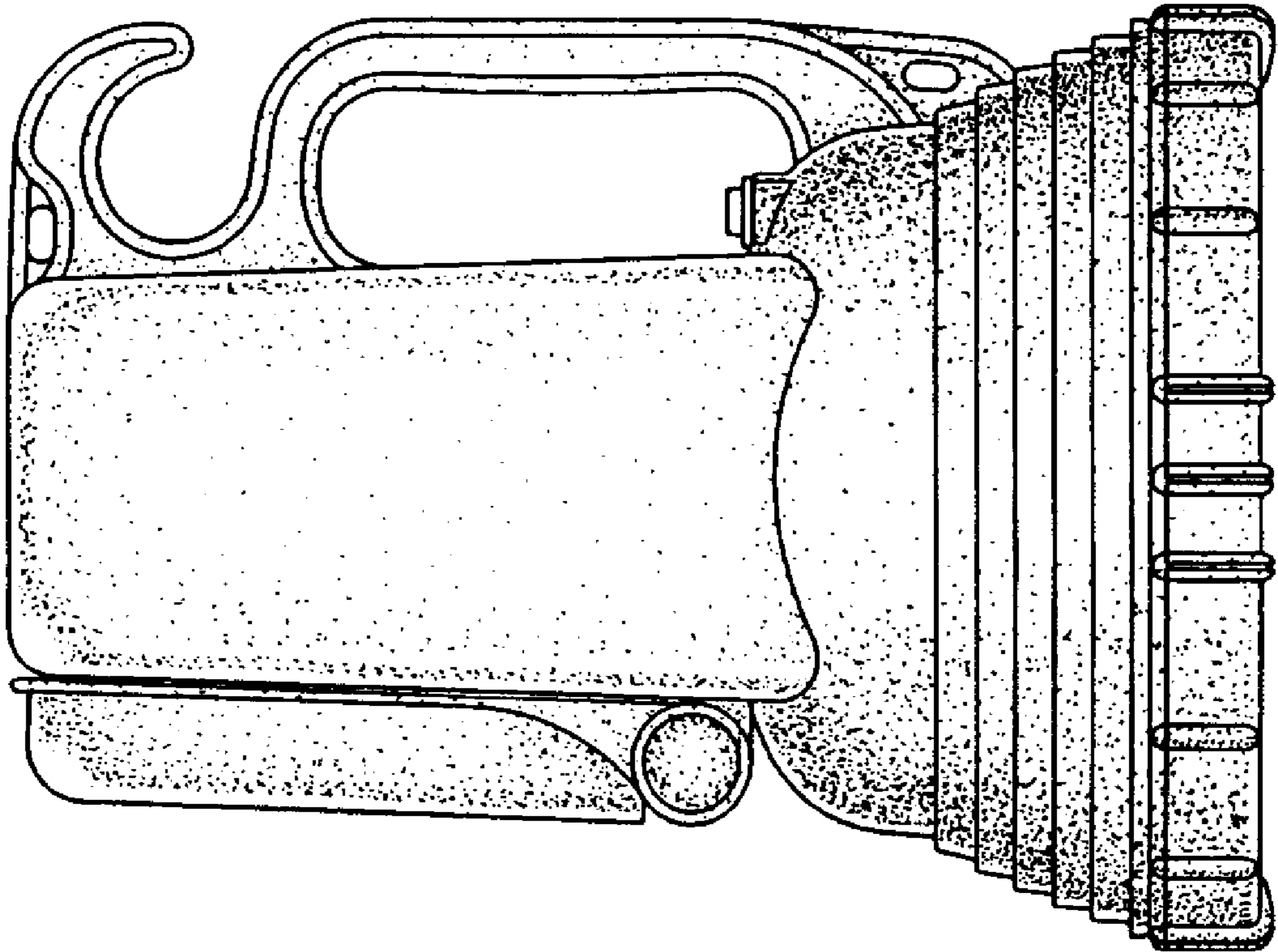


FIG.5

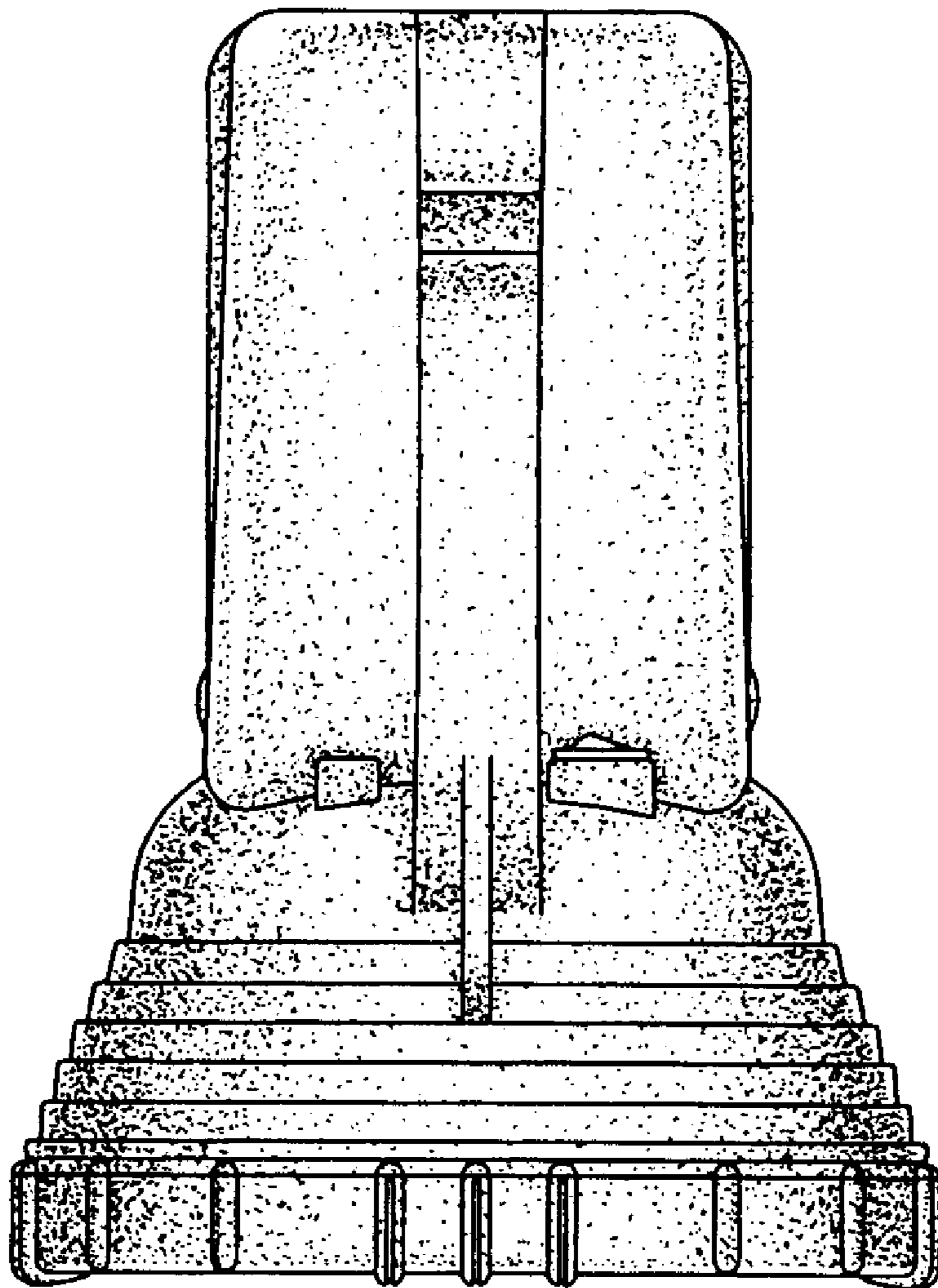


FIG.6

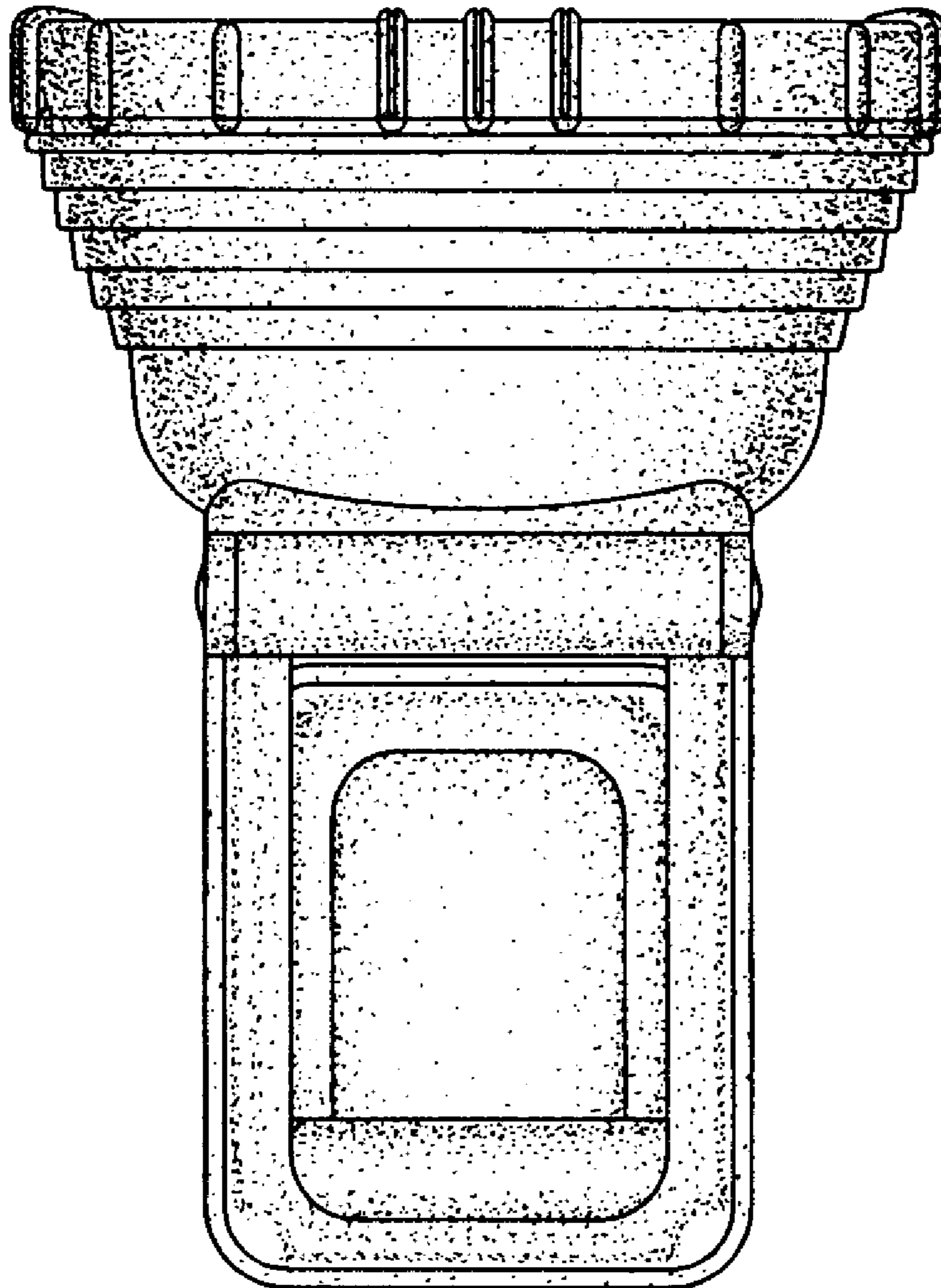


FIG. 7

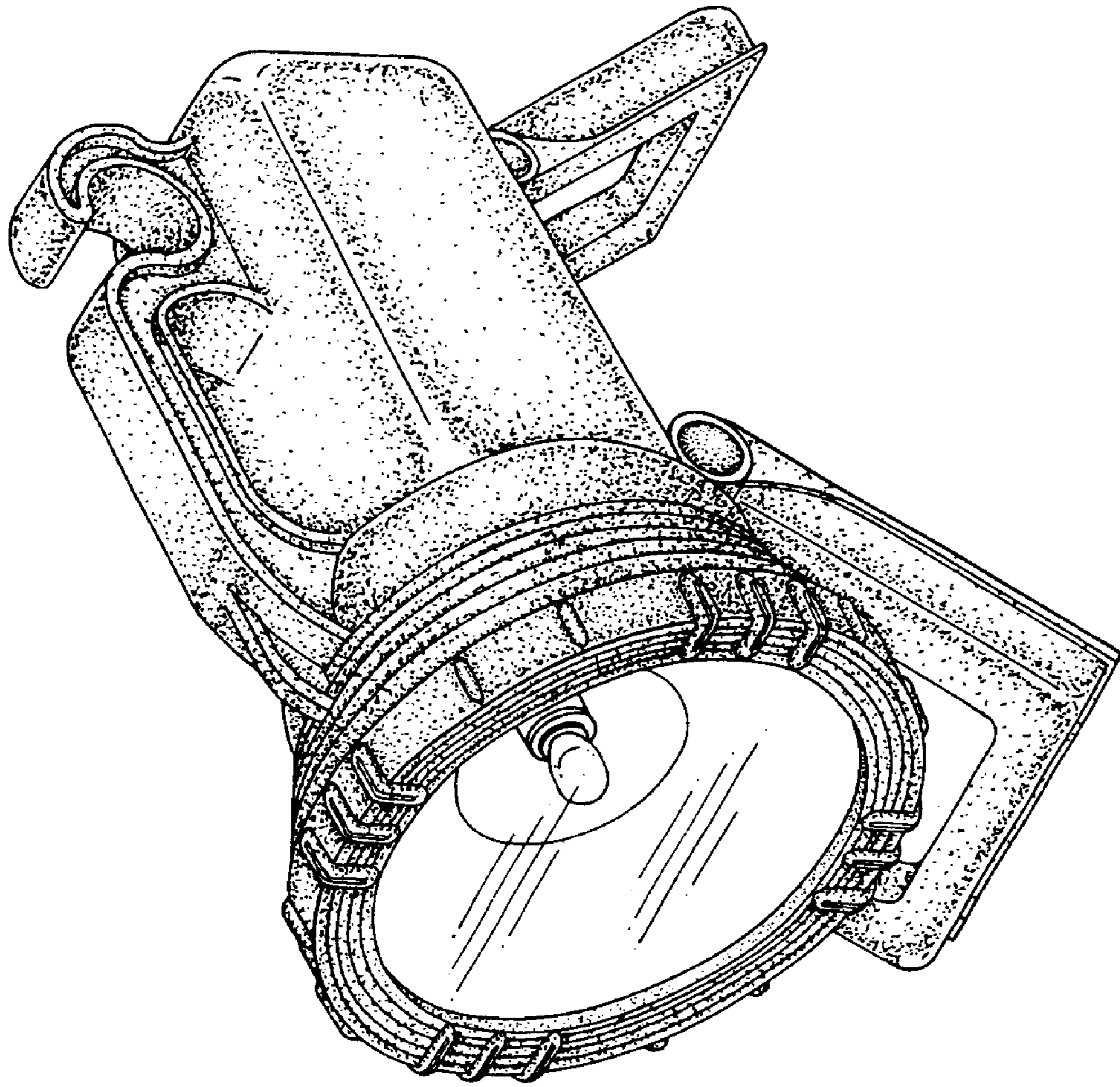


FIG.8