



US00D446322S

(12) **United States Design Patent**
Chang

(10) **Patent No.:** **US D446,322 S**

(45) **Date of Patent:** **** Aug. 7, 2001**

(54) **CHAIN SHAPE LAMP**

Primary Examiner—Cynthia E Ramirez

(74) *Attorney, Agent, or Firm*—Rosenberg, Klein & Lee

(76) **Inventor:** **Chih-Chen Chang**, No. 32, Kuang Hua South Street, Hsinchu City (TW)

(57) **CLAIM**

(**) **Term:** **14 Years**

The ornamental design for a chain shape lamp, as shown and described.

(21) **Appl. No.:** **29/121,731**

(22) **Filed:** **Apr. 11, 2000**

DESCRIPTION

(51) **LOC (7) Cl.** **26-04**

FIG. 1 is a front view of a chain shape lamp showing my present design,

(52) **U.S. Cl.** **D26/25**

FIG. 2 is a rear view thereof;

(58) **Field of Search** D26/25, 24, 32, D26/73, 72, 110, 125; 362/806, 807, 808, 811, 810

FIG. 3 is a left plan view thereof;

FIG. 4 is a right plan view thereof;

FIG. 5 is a top view thereof;

FIG. 6 is a bottom view thereof; and,

FIG. 7 is a perspective view thereof.

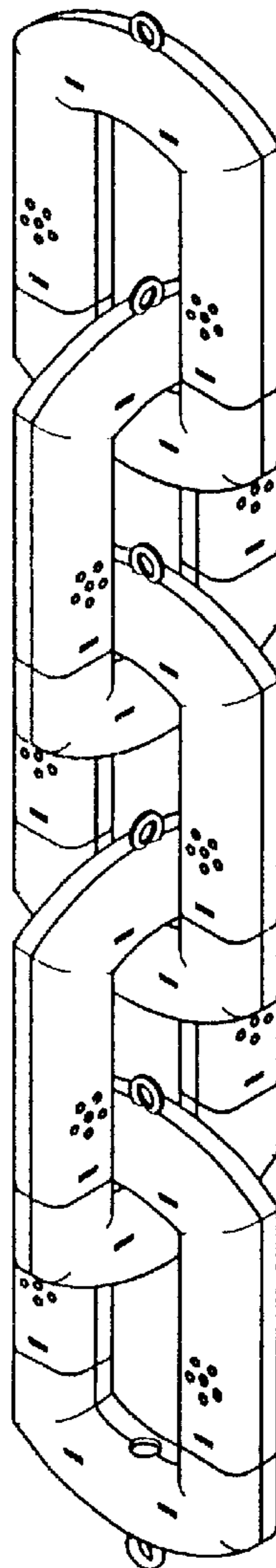
(56) **References Cited**

U.S. PATENT DOCUMENTS

3,267,203 * 8/1966 Rosenberg 362/807

* cited by examiner

1 Claim, 6 Drawing Sheets



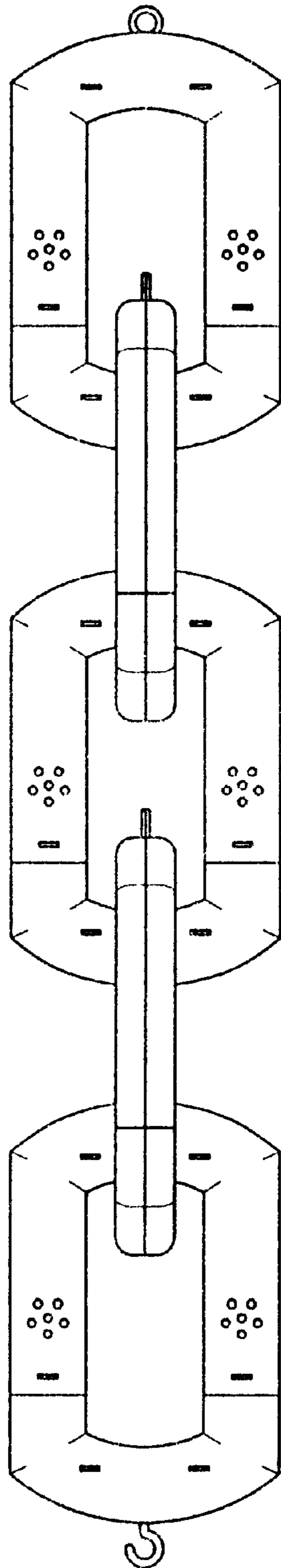


FIG 1

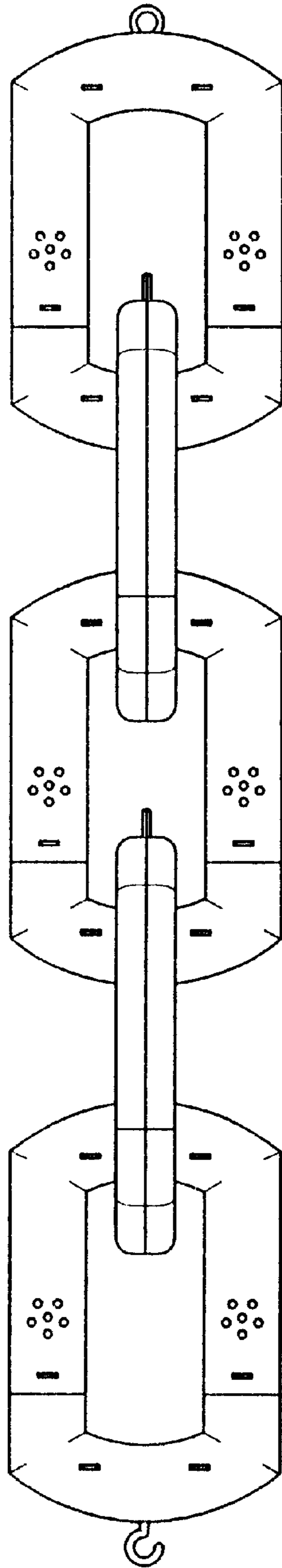


FIG 2

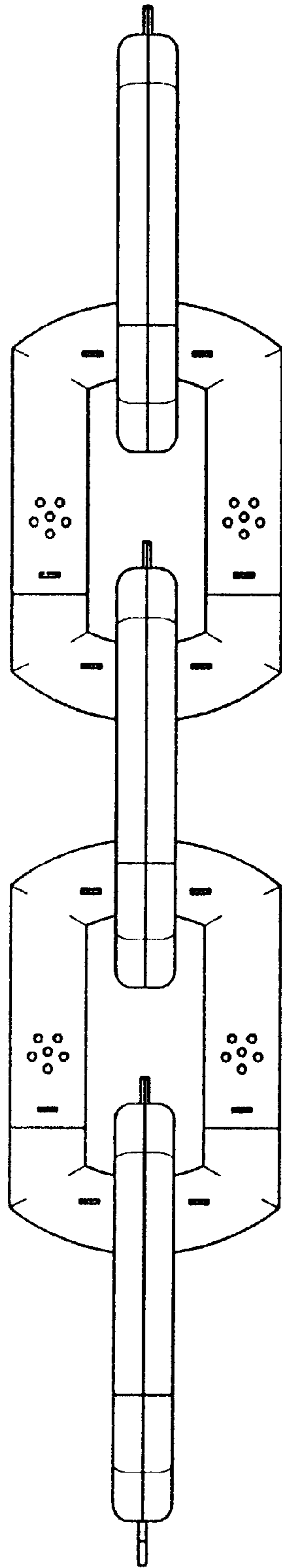


FIG 3

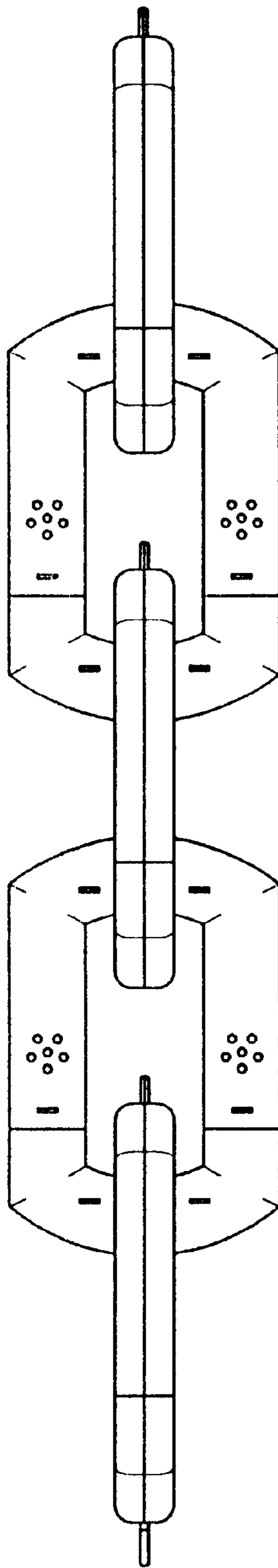


FIG 4

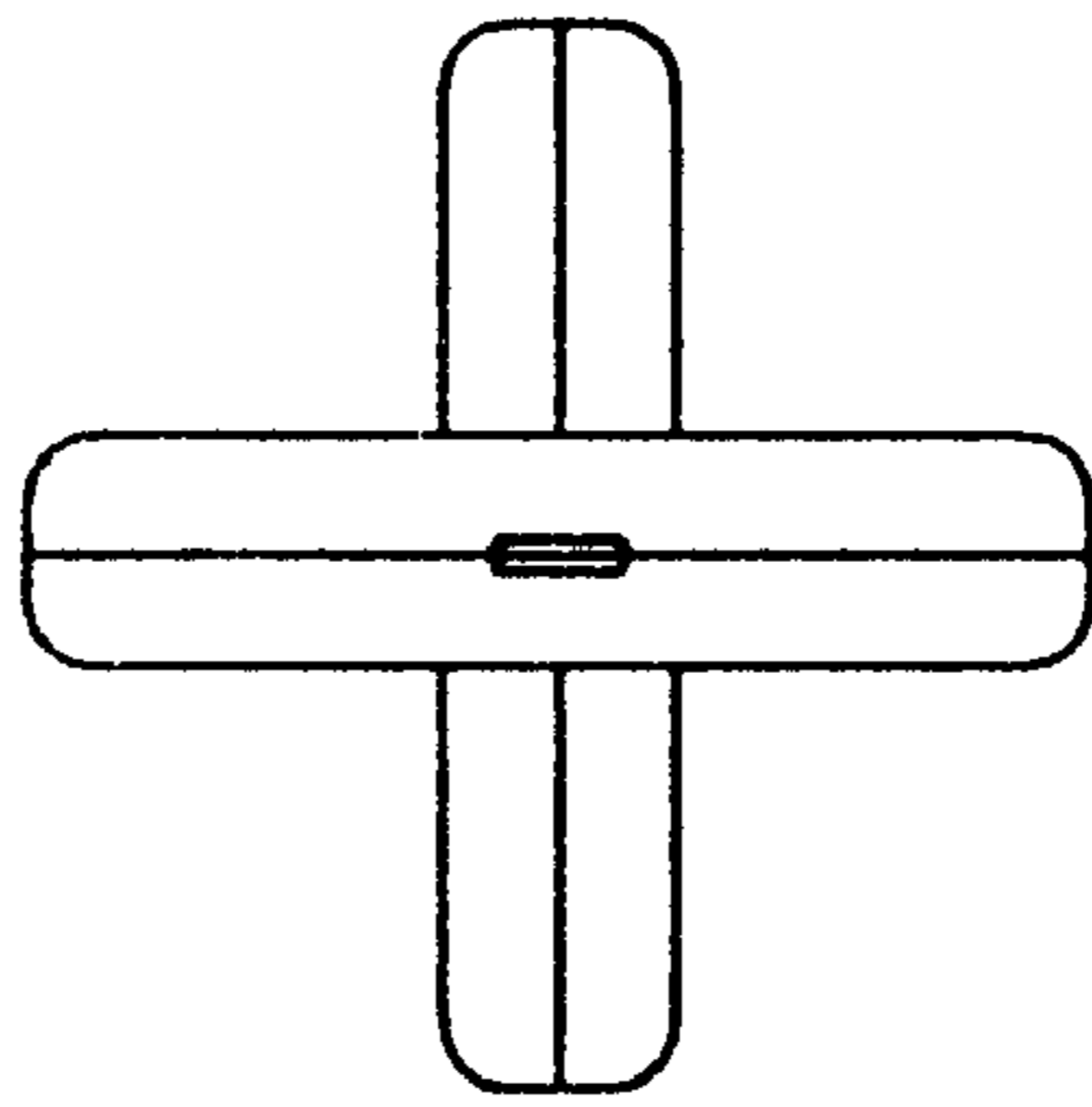


FIG 5

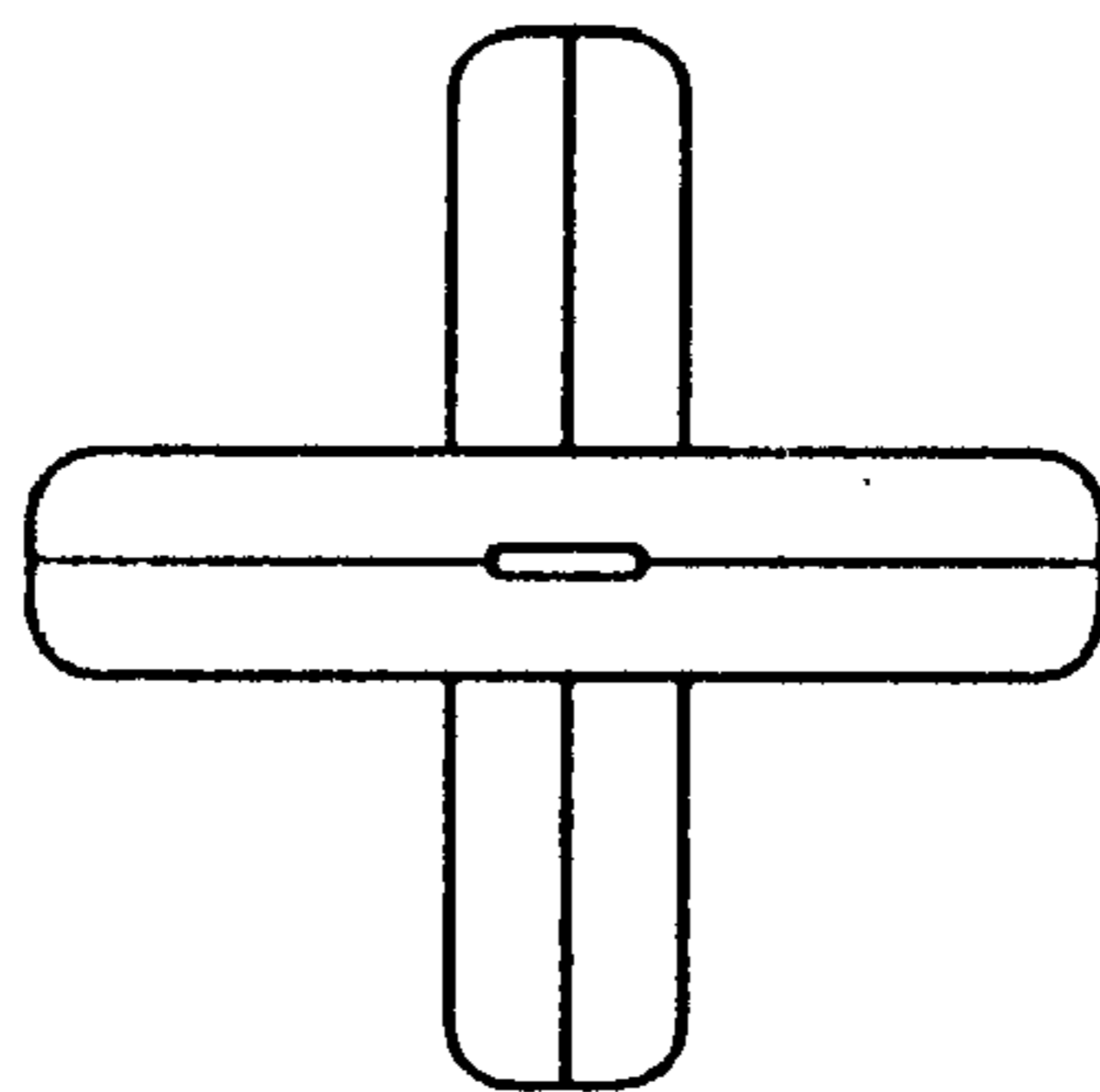


FIG 6

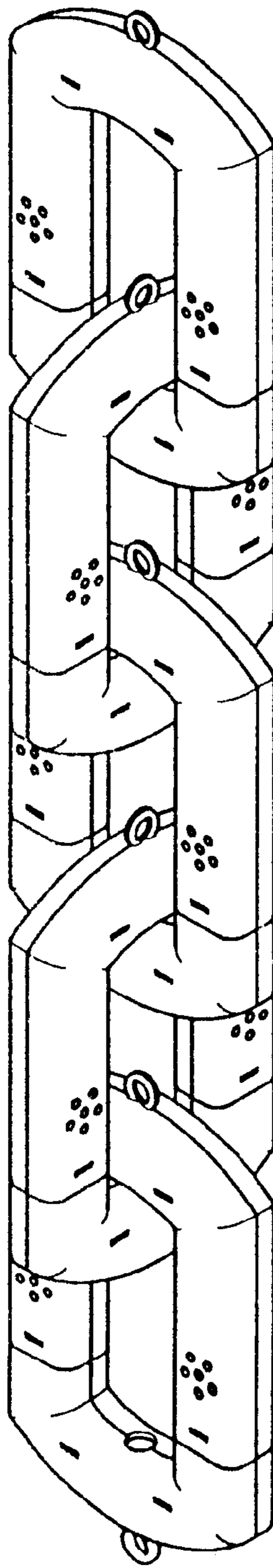


FIG 7