



US00D446319S

(12) **United States Design Patent**
Rubenacker

(10) **Patent No.:** **US D446,319 S**

(45) **Date of Patent:** **** Aug. 7, 2001**

(54) **ROOF MEMBRANE STRESS PLATE**

5,803,693 9/1998 Choiniere et al. 411/537
5,850,719 * 12/1998 Mayle 52/408

(75) Inventor: **James C. Rubenacker**, Lakeville, MA
(US)

* cited by examiner

(73) Assignee: **Sarnafil, Inc.**, Canton, MA (US)

Primary Examiner—Doris Clark

(74) *Attorney, Agent, or Firm*—Pandiscio & Pandiscio

(**) Term: **14 Years**

(57) **CLAIM**

(21) Appl. No.: **29/119,831**

The ornamental design for a roof membrane stress plate, as shown and described.

(22) Filed: **Mar. 9, 2000**

(51) **LOC (7) Cl.** **25-99**

(52) **U.S. Cl.** **D25/199**

(58) **Field of Search** D25/199, 139,
D25/138; 52/408, 409, 410, 411, 412, 413,
63

DESCRIPTION

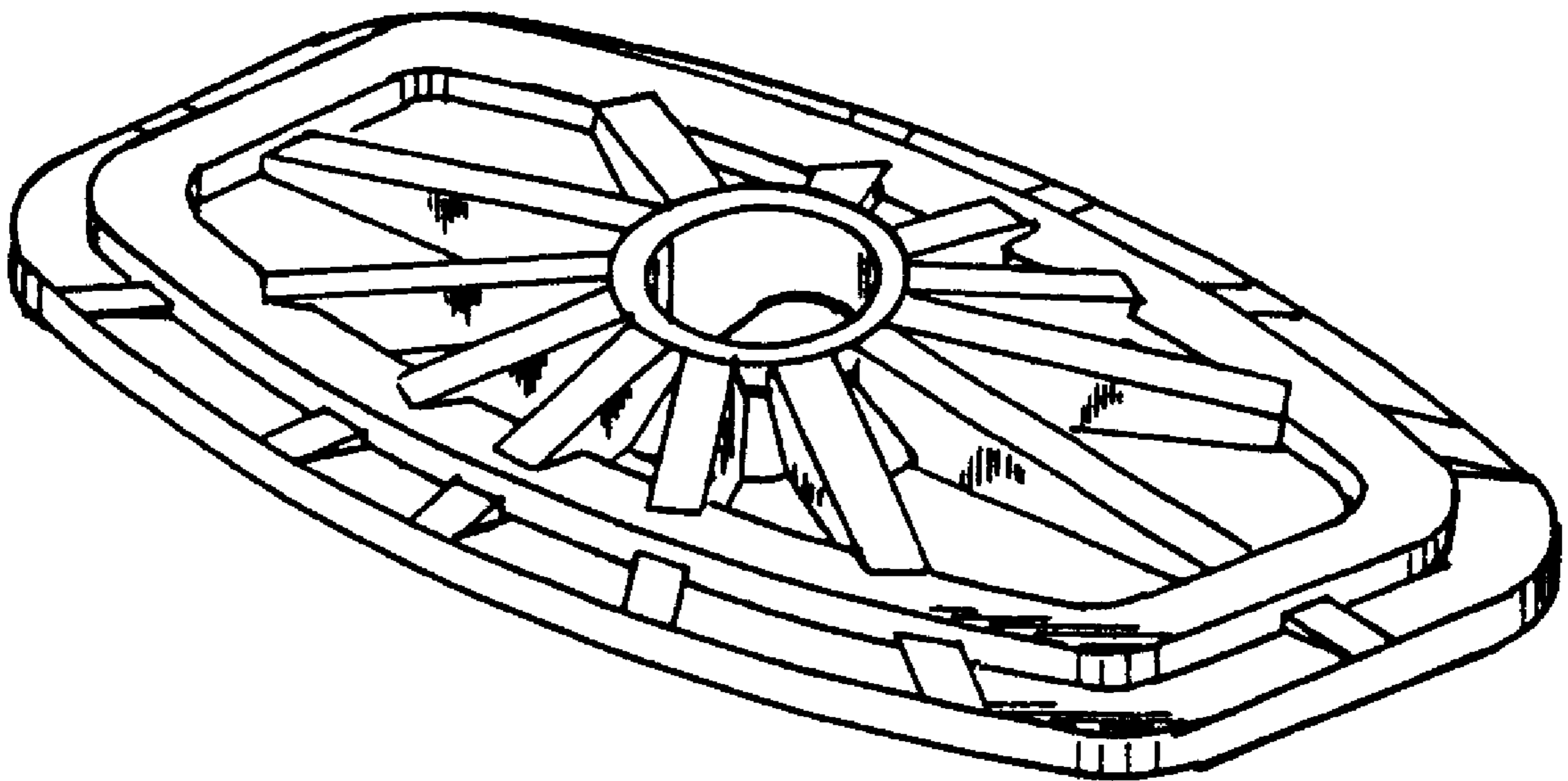
(56) **References Cited**

U.S. PATENT DOCUMENTS

Re. 35,902	*	9/1998	Calandra, Jr. et al.	405/302.1
4,380,413		4/1983	Dewey	411/161
4,677,795	*	7/1987	Mathews et al.	52/63
4,787,188		11/1988	Murphy	52/410
4,860,513		8/1989	Whitman	52/410
4,945,699		8/1990	Murphy	52/410
5,797,232		8/1998	Larson	52/408

FIG. 1 is a perspective view of a roof membrane stress plate showing my new design;
FIG. 2 is a top plan view thereof;
FIG. 3 is a bottom view thereof;
FIG. 4 is a side elevational view thereof, the other side being a mirror image of that shown;
FIG. 5 is an end elevational view thereof, the other end being a mirror image of that shown;
FIG. 6 is a sectional view taken along line VI—VI of FIG. 2; and,
FIG. 7 is a sectional view taken along line VII—VII of FIG. 2.

1 Claim, 2 Drawing Sheets



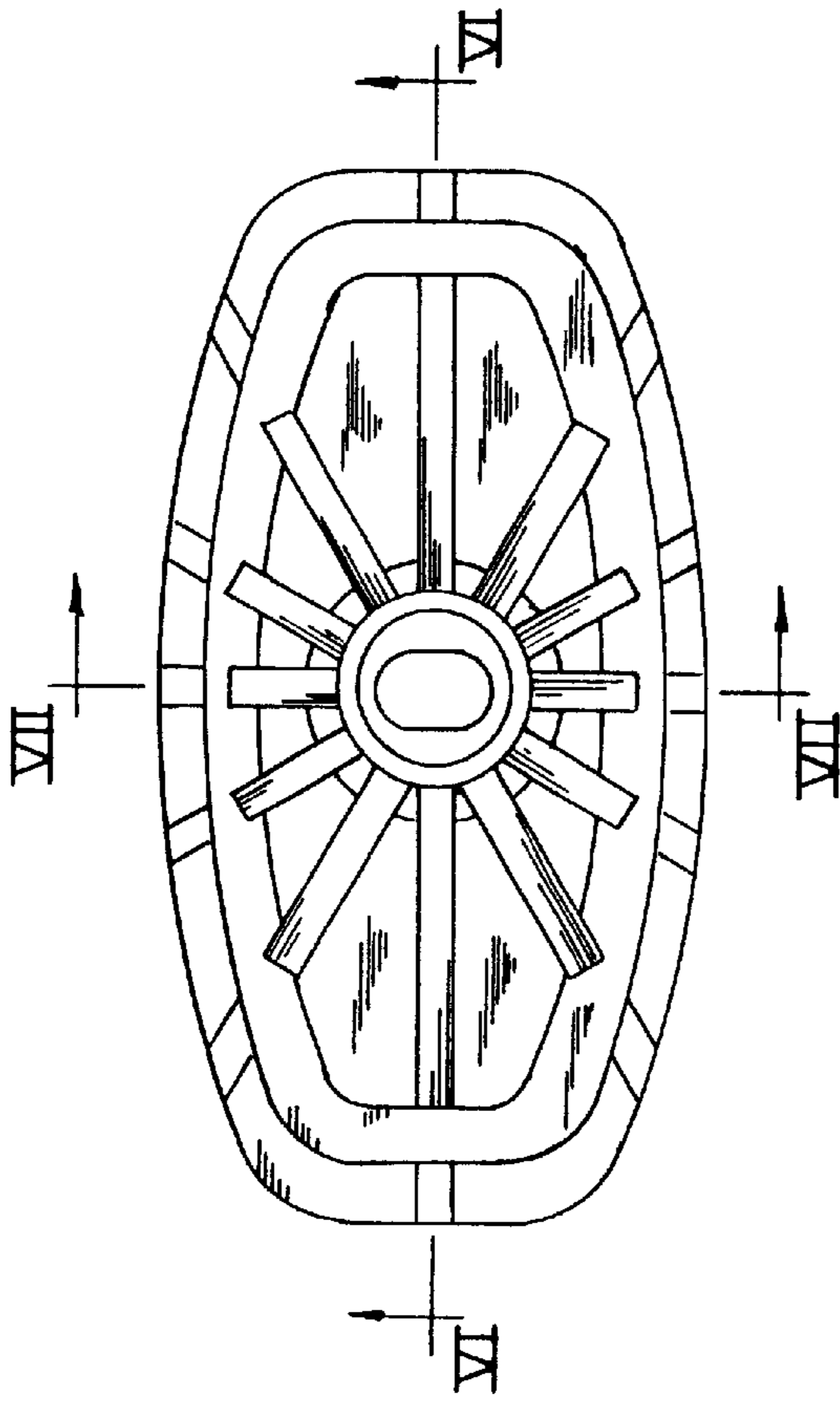


FIG. 2

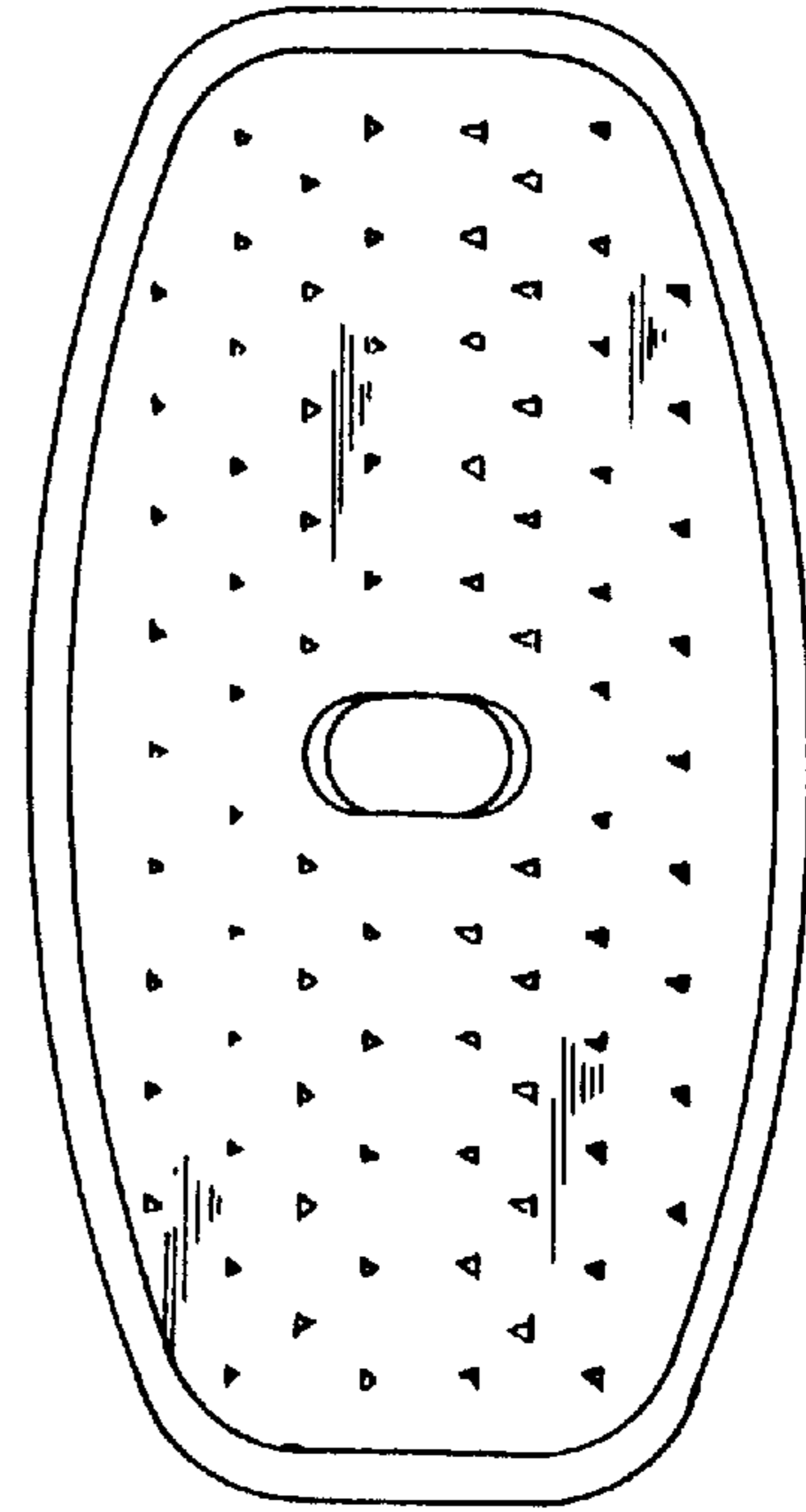


FIG. 3

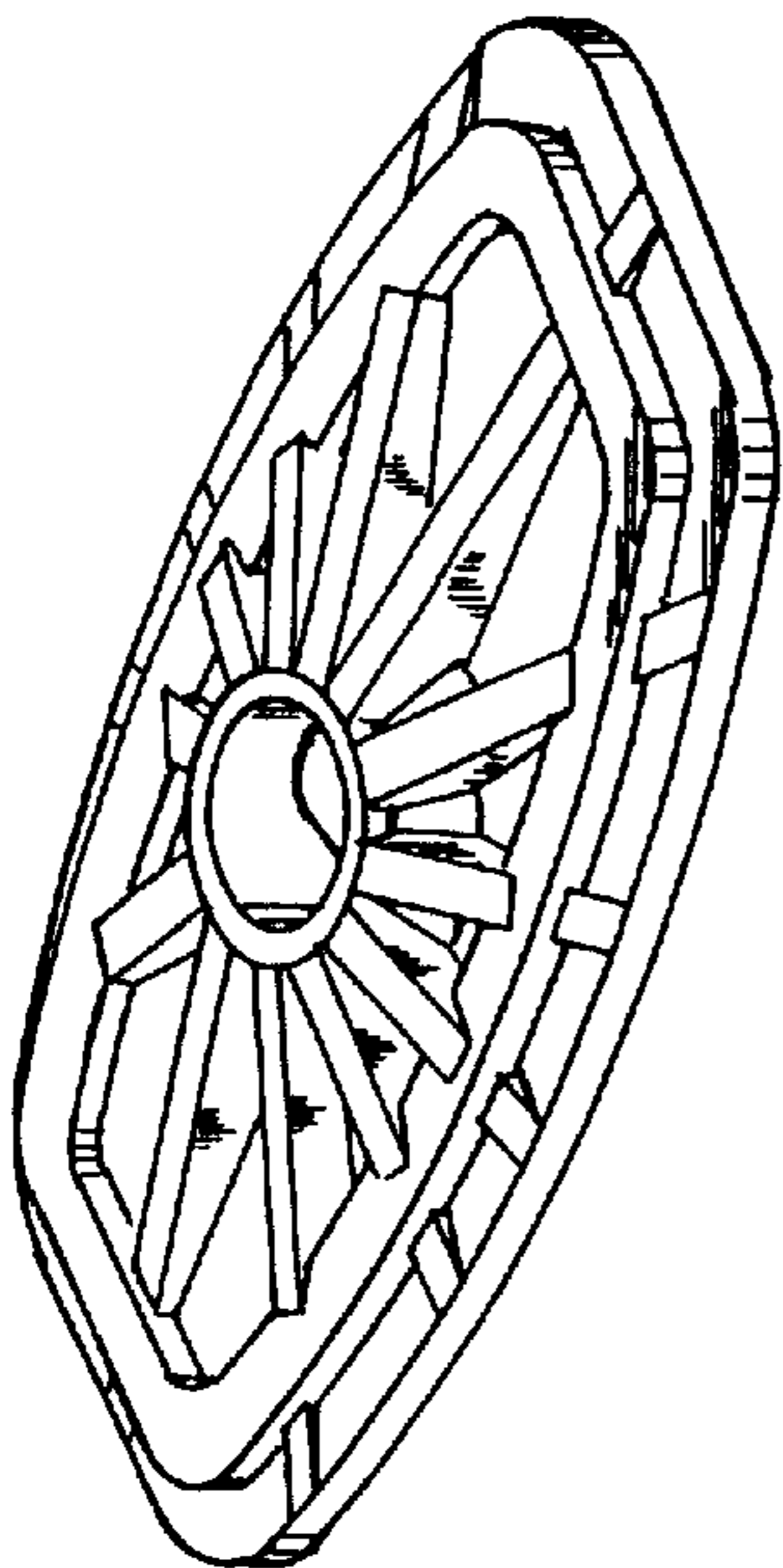


FIG. 1

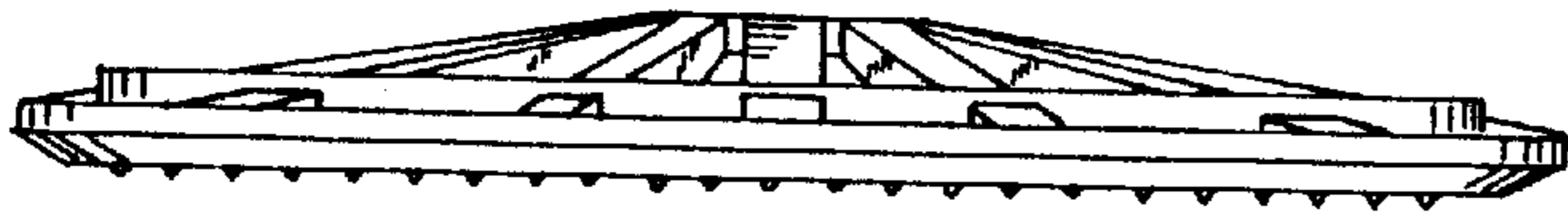


FIG. 4

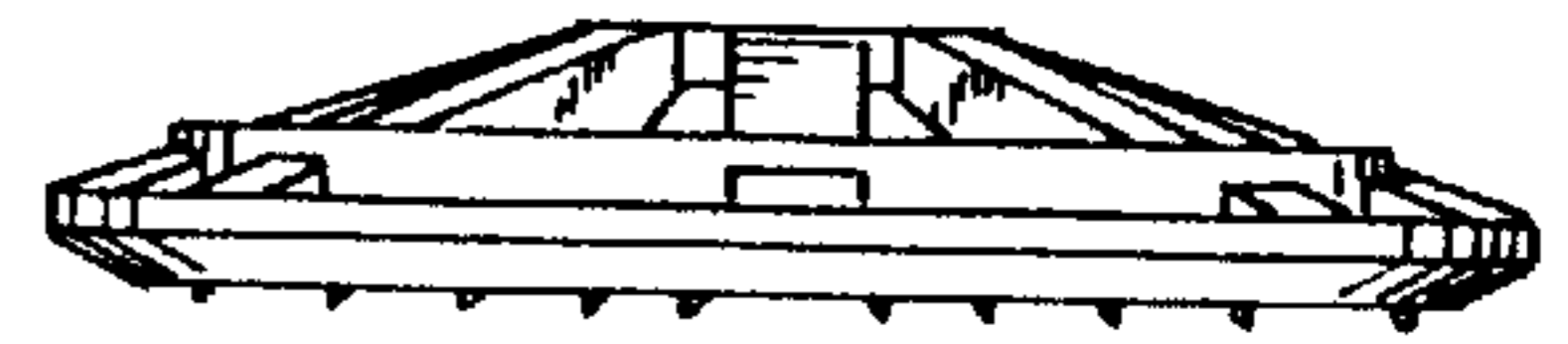


FIG. 5



FIG. 6

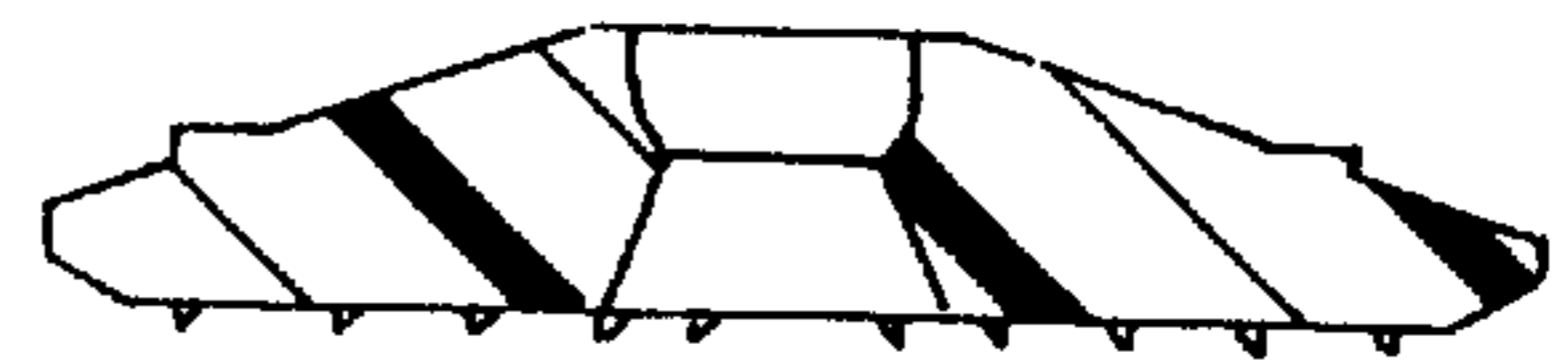


FIG. 7