



US00D446316S

(12) **United States Design Patent**
Wooten

(10) **Patent No.:** **US D446,316 S**

(45) **Date of Patent:** **** Aug. 7, 2001**

(54) **FENCE MEMBER**

(76) **Inventor:** **Wayne R. Wooten**, 374 Farrell Carter Rd., Hazlehurst, GA (US) 31539

(**) **Term:** **14 Years**

(21) **Appl. No.:** **29/134,048**

(22) **Filed:** **Dec. 14, 2000**

(51) **LOC (7) Cl.** **25-02**

(52) **U.S. Cl.** **D25/43; D25/122**

(58) **Field of Search** **D25/38, 121, 124, D25/43, 122; 256/59, 65**

(56) **References Cited**

U.S. PATENT DOCUMENTS

D. 267,345	*	12/1982	Walsh	D25/38
4,928,930	*	5/1990	Chung	256/65
5,873,564	*	2/1999	Bisch	256/65

* cited by examiner

Primary Examiner—Doris Clark

(74) *Attorney, Agent, or Firm*—Arthur G. Yeager

(57) **CLAIM**

I claim the ornamental design for a fence member, as shown and described.

DESCRIPTION

FIG. 1 is a front perspective view of a fence member being of indeterminate length showing a first embodiment of my new design;

FIG. 2 is an enlarged end elevational view thereof;

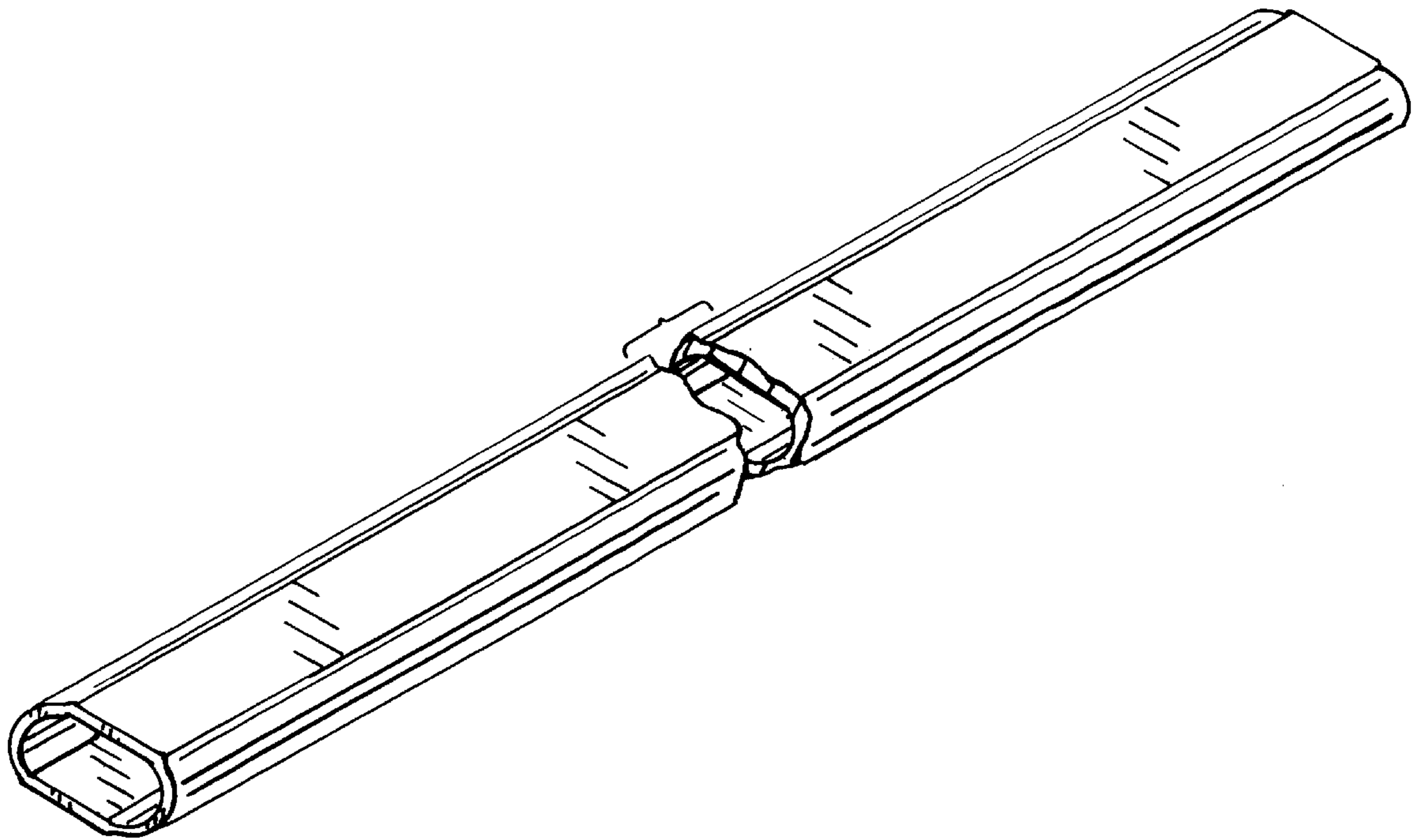
FIG. 3 is a top plan view thereof, a bottom plan view being identical thereto;

FIG. 4 is a front elevational view thereof, a back elevational view being identical thereto;

FIG. 5 is a front perspective view of a fence member being of determinate length showing a second embodiment of my new invention; and,

FIG. 6 is an enlarged front elevational view thereof broken for ease of illustration.

1 Claim, 4 Drawing Sheets



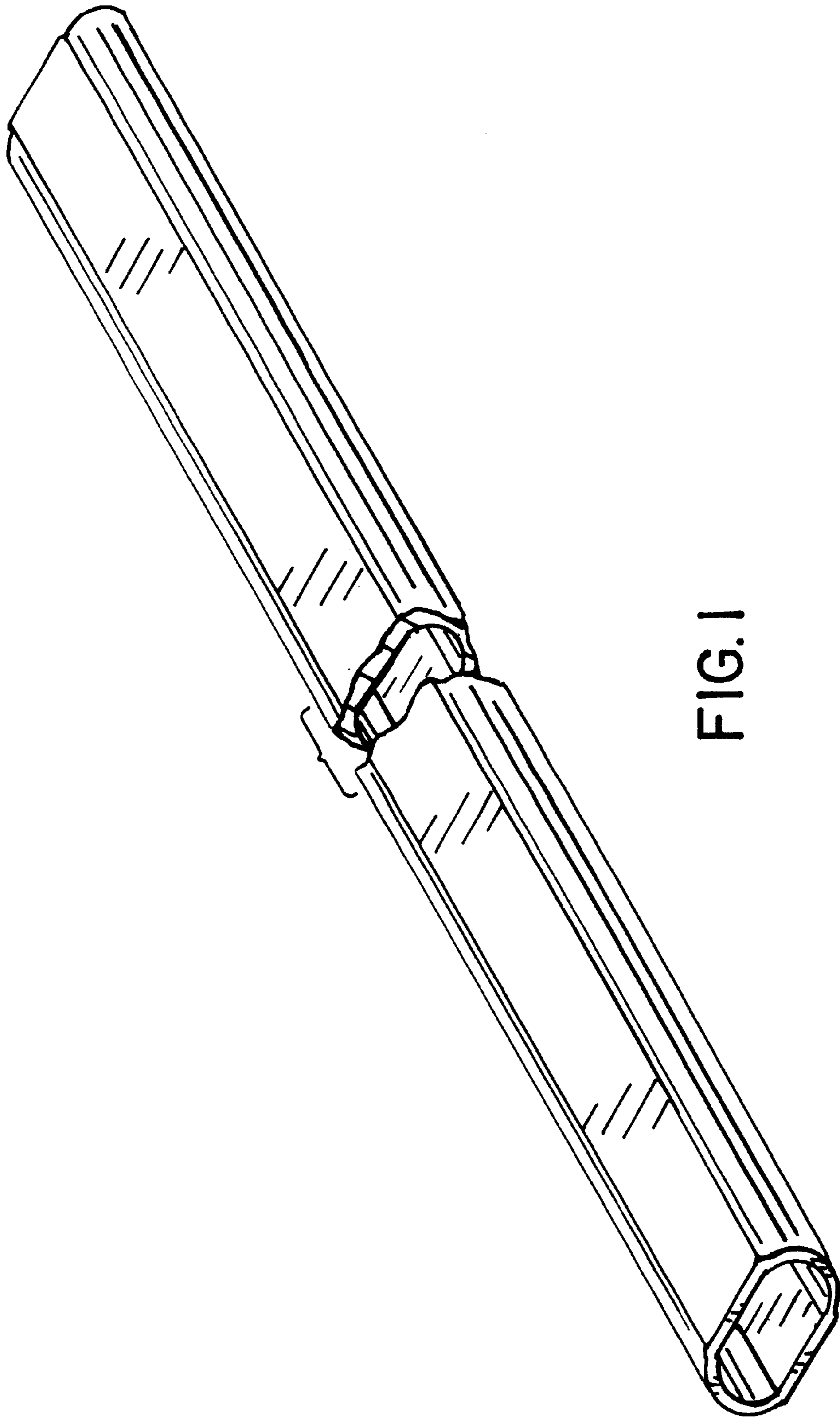


FIG. 1

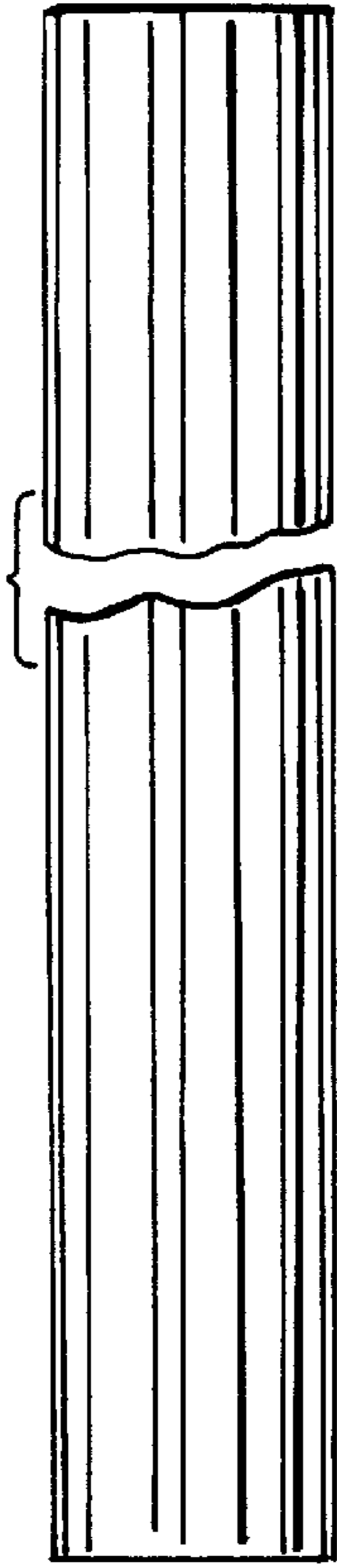


FIG. 3

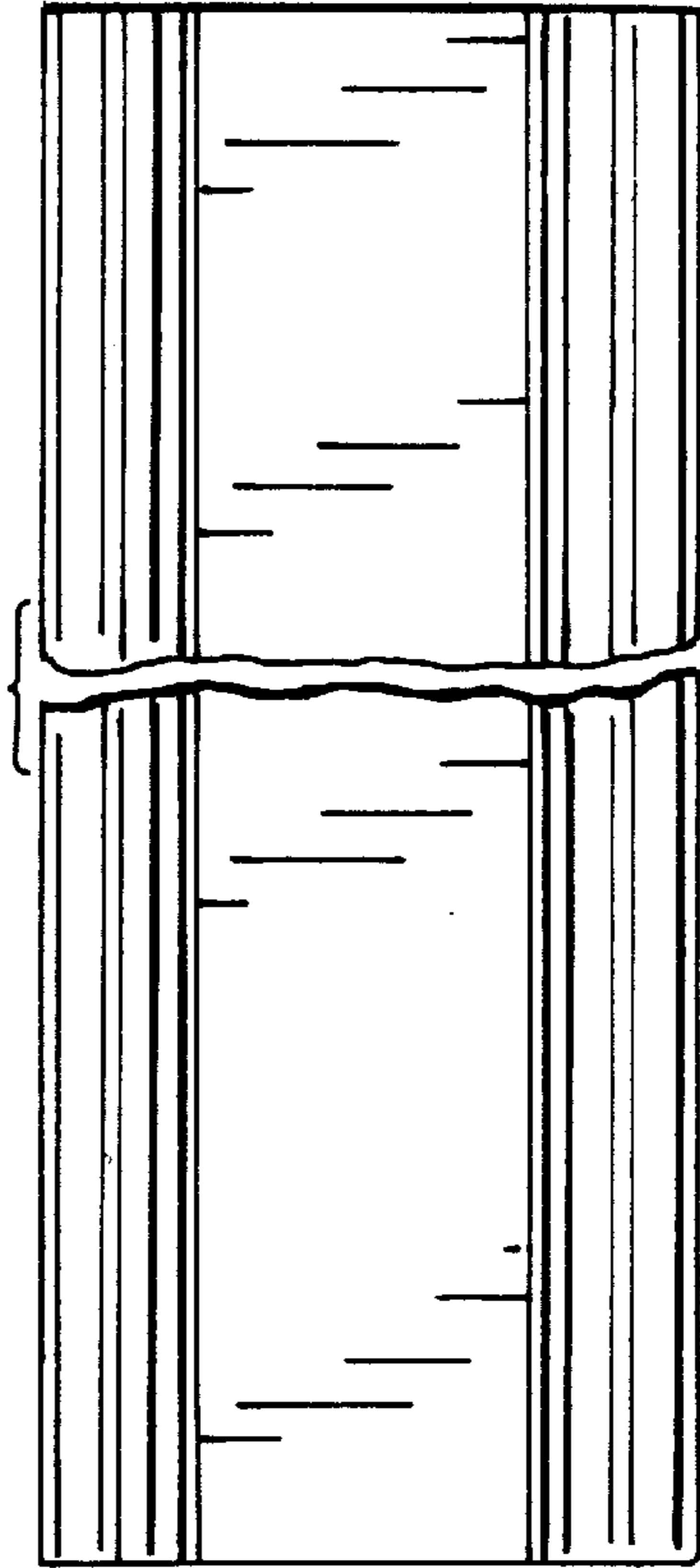


FIG. 4

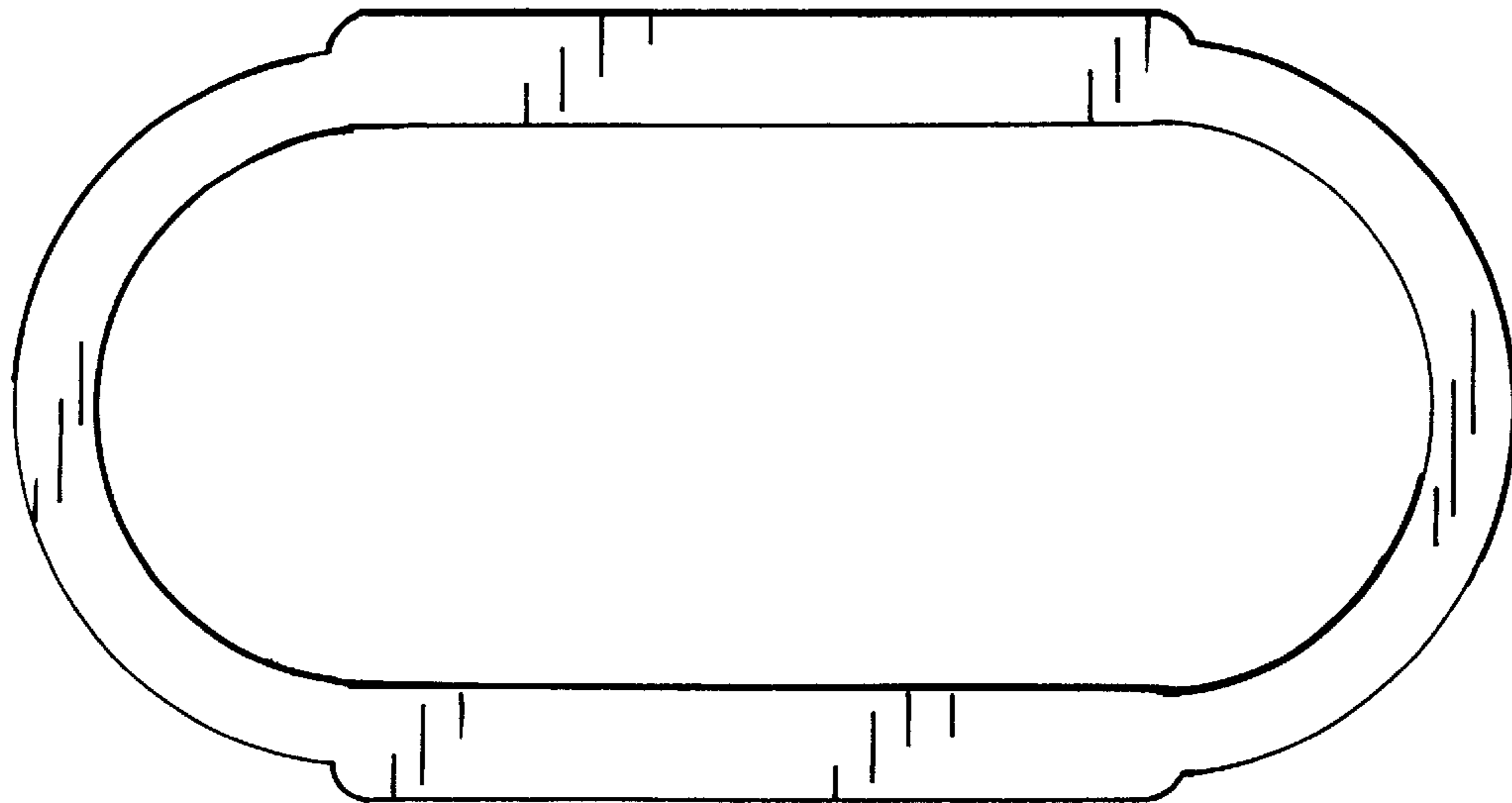


FIG. 2

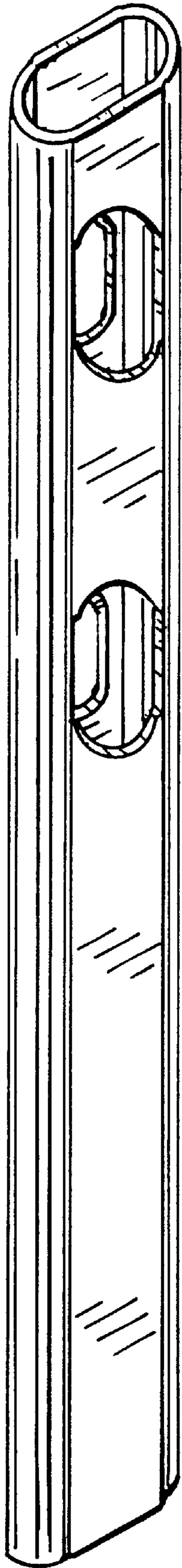


FIG. 5

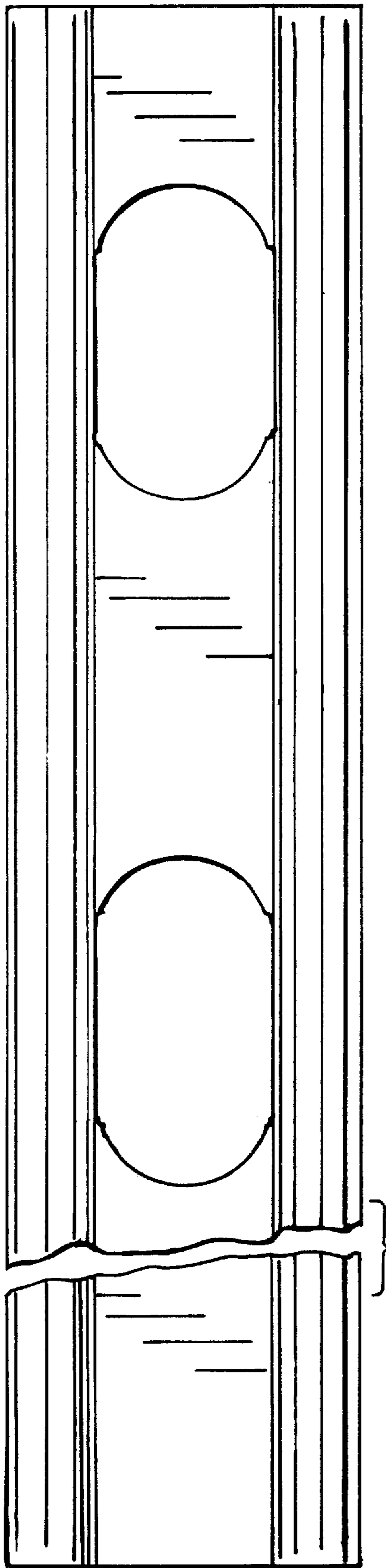


FIG. 6