



US00D446315S

(12) **United States Design Patent**
Forbis

(10) **Patent No.:** **US D446,315 S**

(45) **Date of Patent:** **** Aug. 7, 2001**

- (54) **FENCE RAIL**
- (75) **Inventor:** **John T. Forbis**, York, NE (US)
- (73) **Assignee:** **Kroy Building Products, Inc.**, York, NE (US)
- (**) **Term:** **14 Years**
- (21) **Appl. No.:** **29/128,263**
- (22) **Filed:** **Jul. 28, 2000**

Related U.S. Application Data

- (63) Continuation of application No. 09/435,418, filed on Nov. 8, 1999, now Pat. No. 6,202,987, which is a continuation of application No. 09/238,754, filed on Jan. 28, 1999, now Pat. No. 6,041,486, which is a division of application No. 08/808,981, filed on Feb. 19, 1997, now Pat. No. 5,988,599.
- (51) **LOC (7) Cl.** **25-02**
- (52) **U.S. Cl.** **D25/38**
- (58) **Field of Search** D25/38, 43, 44; 52/730.3, 730.4, 730.5, 731.2, 732.1, 731.3, 732.2, 720.2; 256/59, 65, 21, 19

(56) **References Cited**

U.S. PATENT DOCUMENTS

D. 244,500	5/1977	Copeland .
D. 347,699	6/1994	Krueger .
D. 382,978	8/1997	Gearing .
D. 396,308	7/1998	Hägglund .
D. 416,333	11/1999	Stansfield .
3,395,489	8/1968	Banse .
3,454,262	7/1969	Romano .
3,522,933	8/1970	Braun .
3,648,981	3/1972	Allen .

3,712,590	1/1973	Tochner et al.	256/34
3,822,053	7/1974	Daily .	
3,924,834	12/1975	Young .	
3,955,799	5/1976	Lauzier .	
4,027,855	6/1977	Lauzier	256/65 X
4,188,019	2/1980	Meredith	2256/73 X
4,202,532	5/1980	Mills .	
4,346,872	8/1982	Toruya .	
4,585,214	4/1986	Cope .	
4,623,128	11/1986	Dutch et al. .	
4,809,955	3/1989	Veilleux .	
5,011,325	4/1991	Antonioli	256/13.1
5,192,056	3/1993	Espinueva .	
5,200,240	4/1993	Baker	256/73 X
5,215,290	6/1993	Khalessi	256/13.1
5,480,126	1/1996	Teasdale .	
5,613,664	3/1997	Svalbe .	
5,702,090	12/1997	Edgman .	
5,938,184	8/1999	DeSouza .	

Primary Examiner—Doris Clark

(74) *Attorney, Agent, or Firm*—Clayton, Howarth & Cannon, P.C.

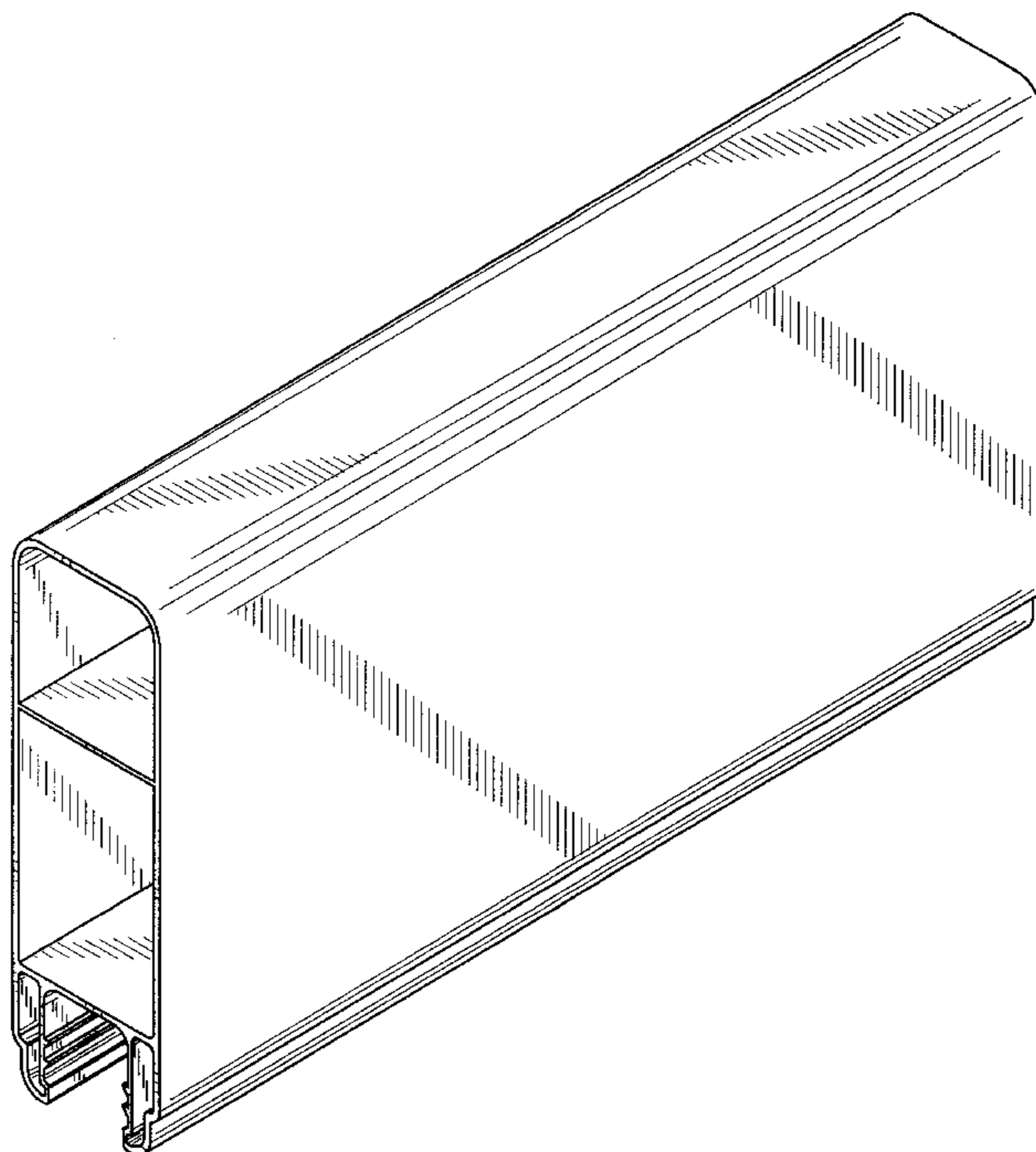
(57) **CLAIM**

I claim the ornamental design for a fence rail, as shown and described.

DESCRIPTION

FIG. 1 is a perspective view thereof;
FIG. 2 is a right side view thereof;
FIG. 3 is a left side view thereof;
FIG. 4 is a front view thereof;
FIG. 5 is a rear view thereof;
FIG. 6 is a top view thereof; and,
FIG. 7 is a bottom view thereof.

1 Claim, 4 Drawing Sheets



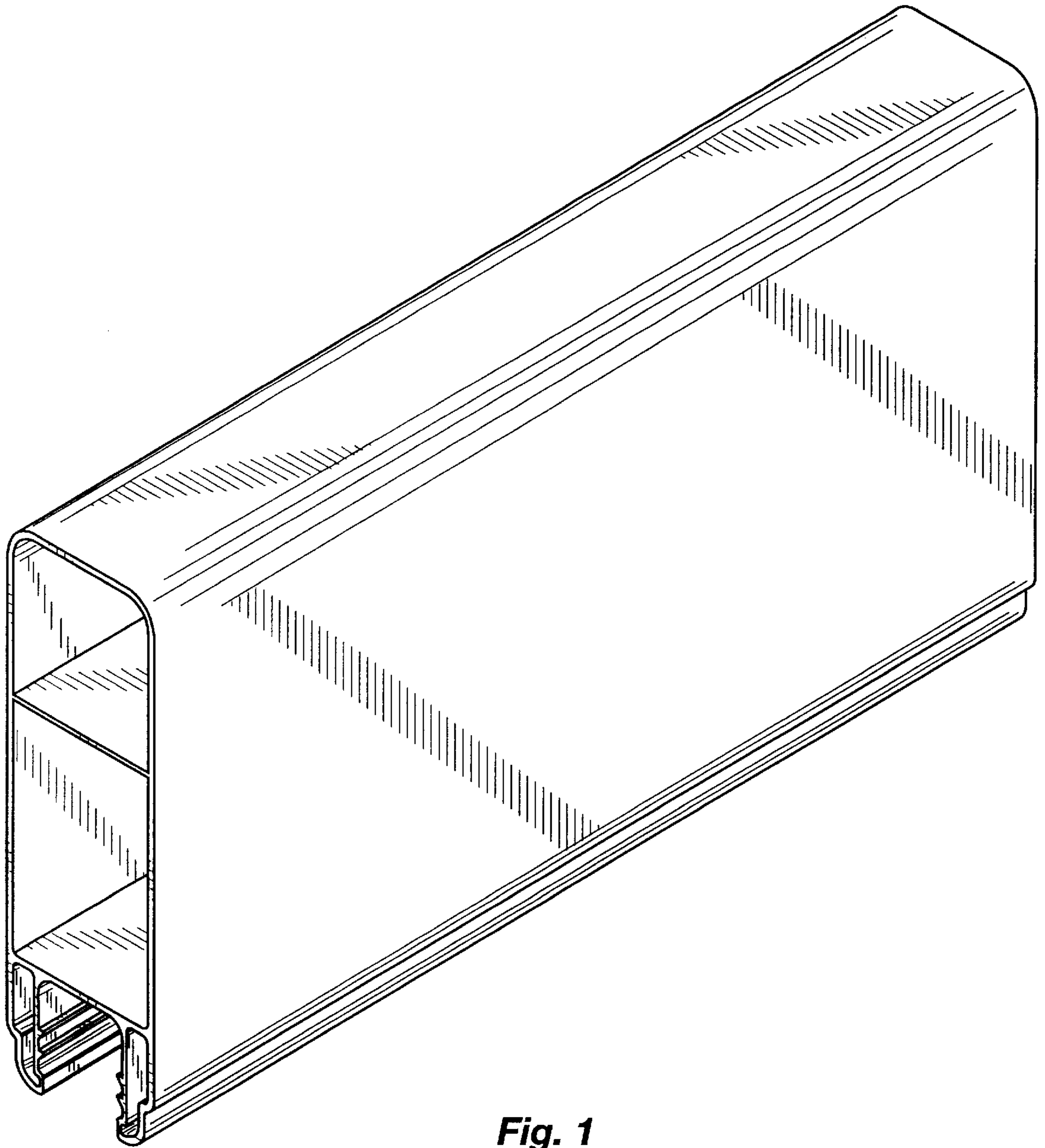


Fig. 1

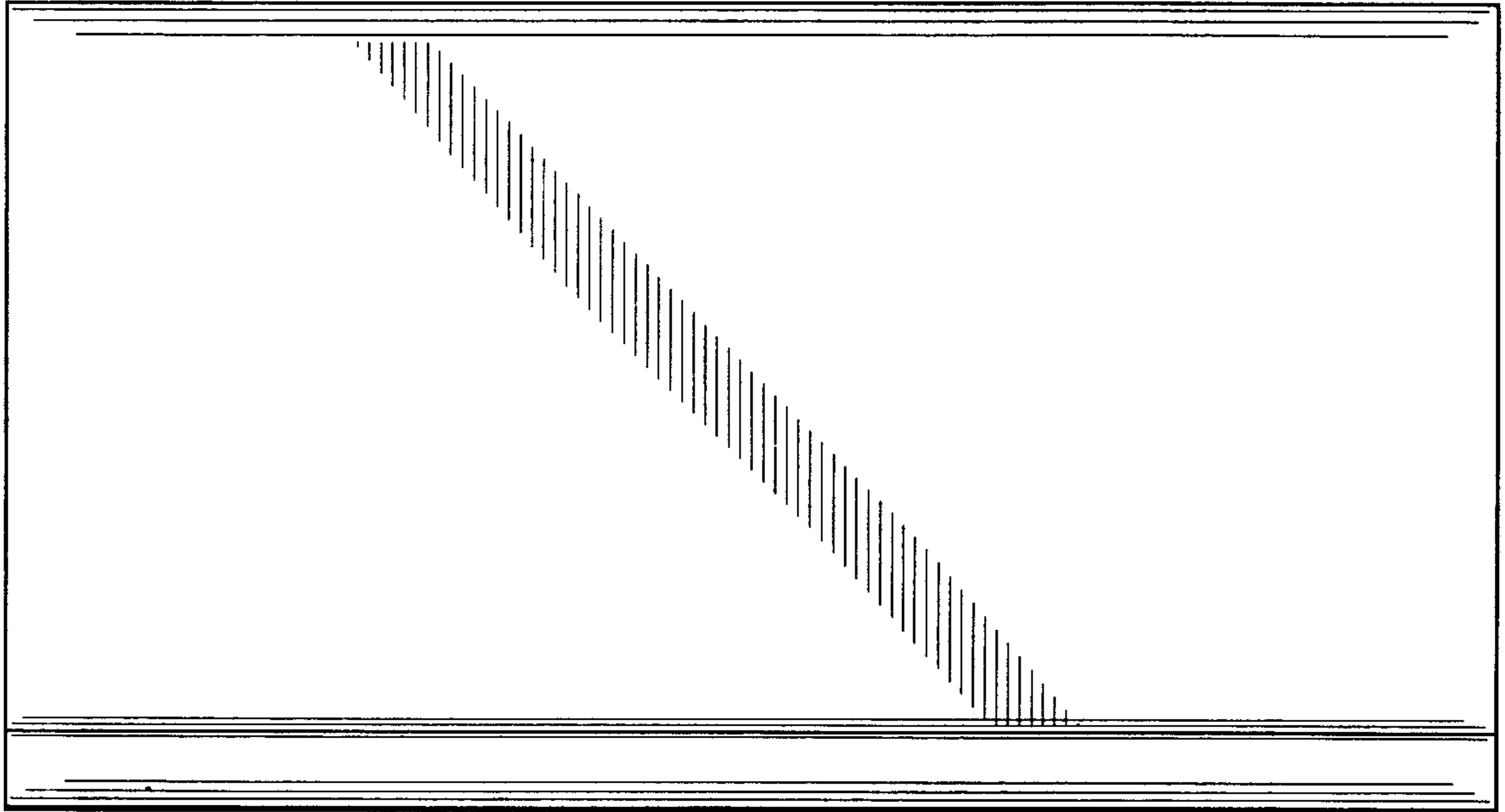


Fig. 2

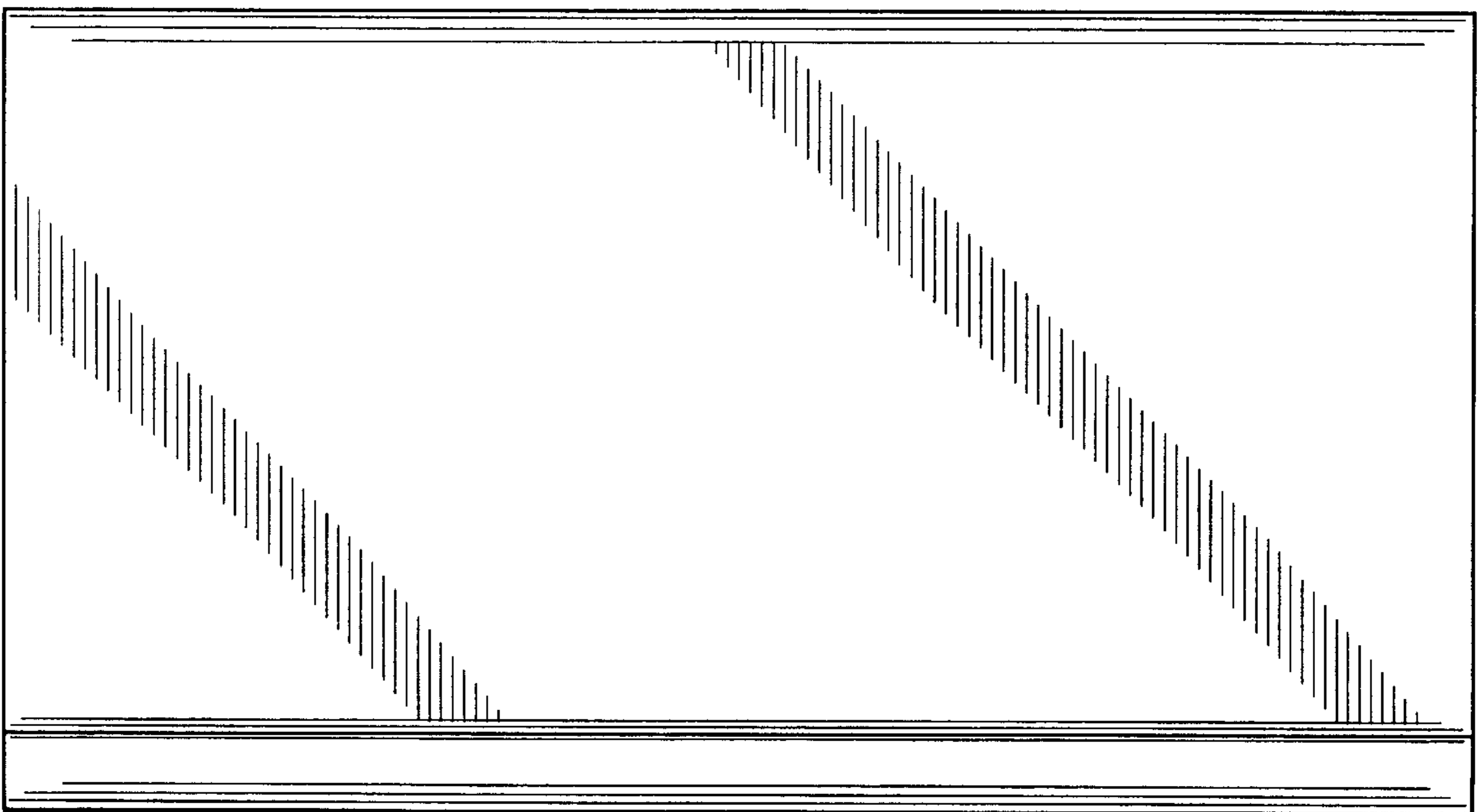


Fig. 3

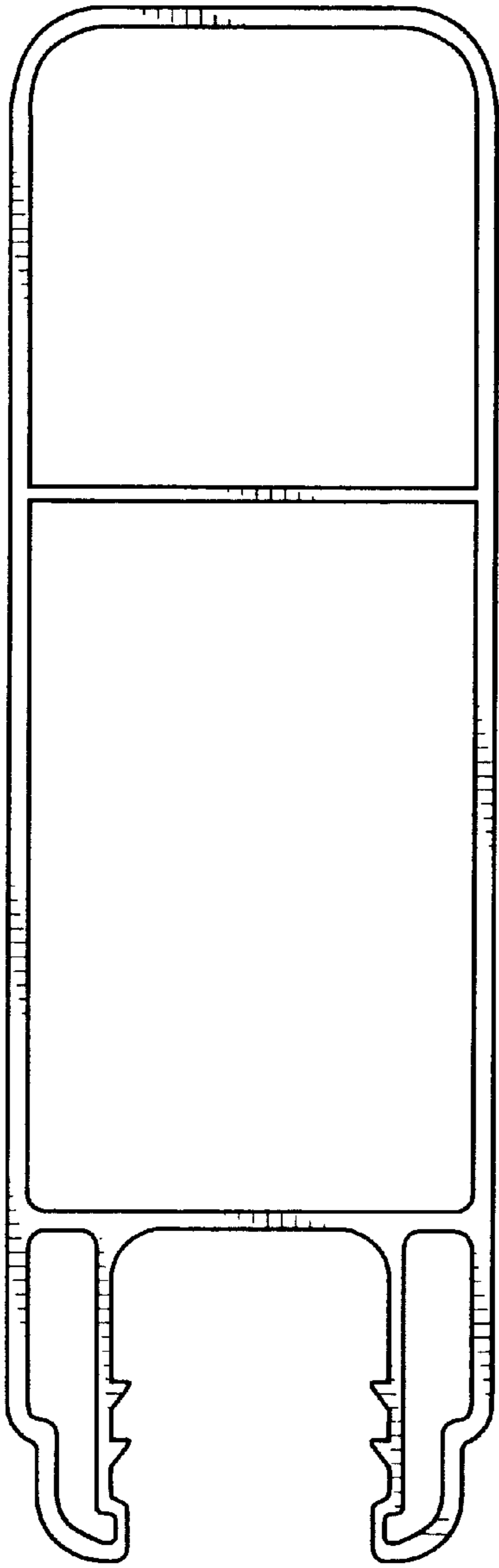


Fig. 4

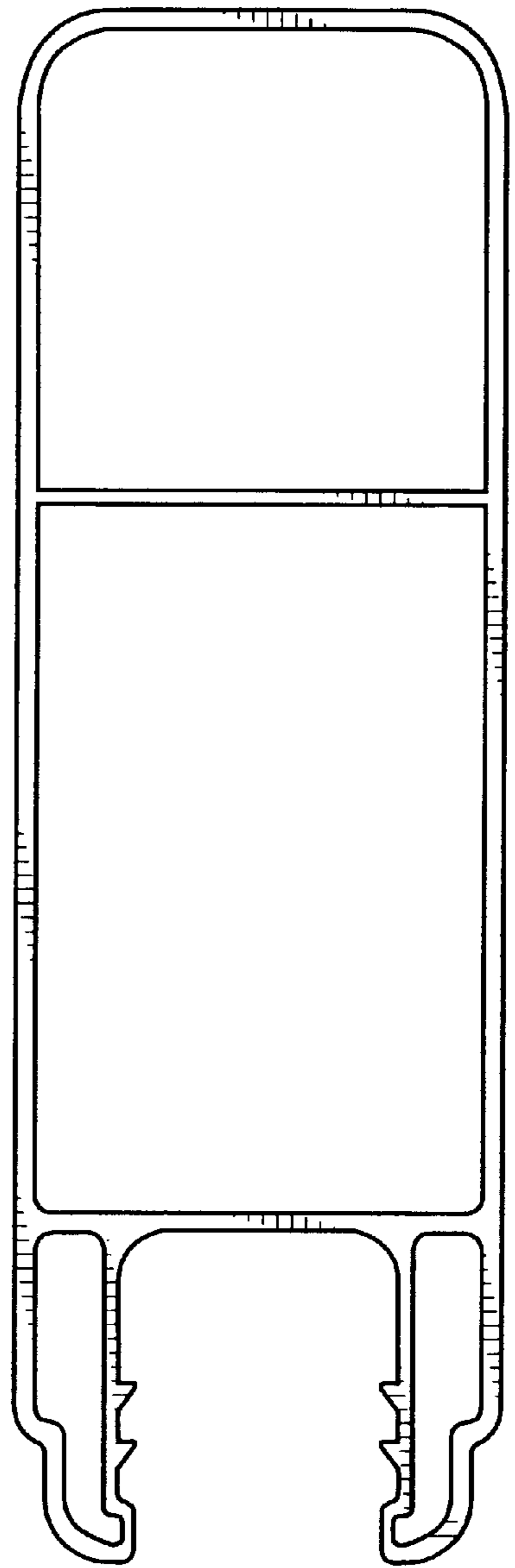


Fig. 5

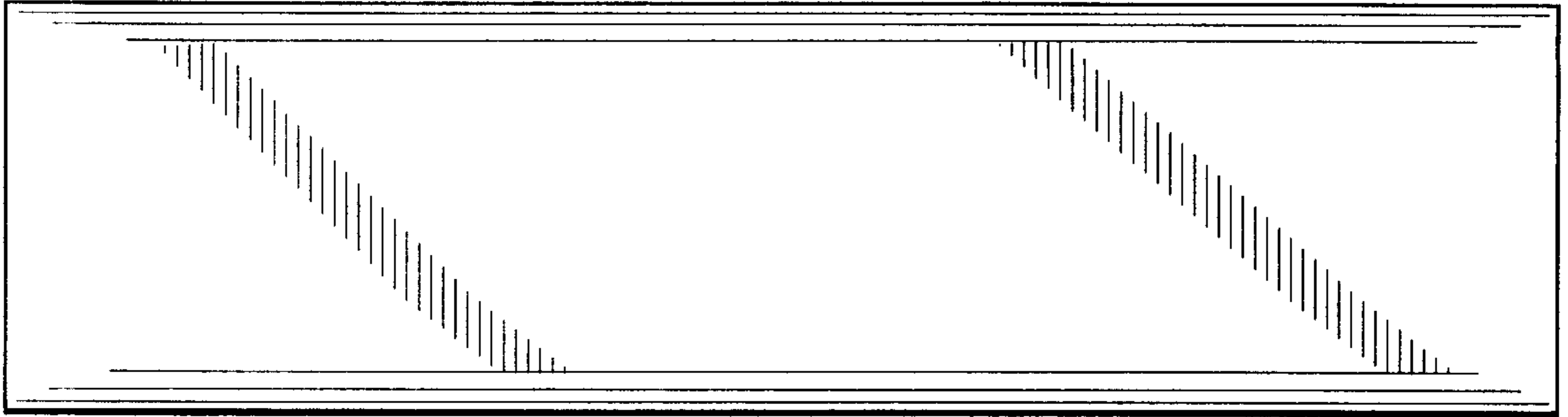


Fig. 6

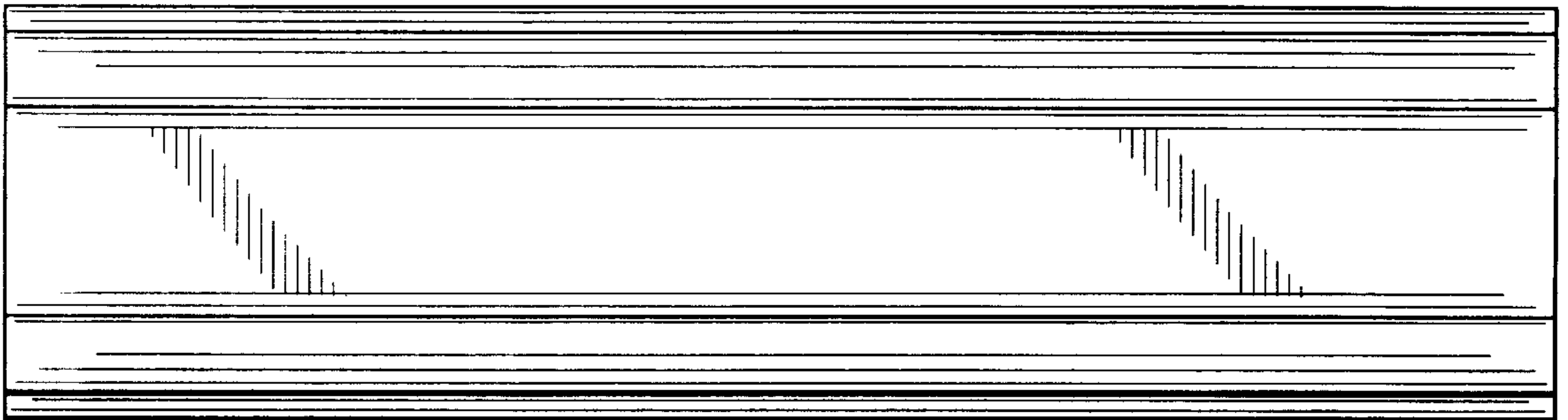


Fig. 7