



US00D446313S

(12) **United States Design Patent**
Sullivan

(10) **Patent No.:** **US D446,313 S**

(45) **Date of Patent:** **** Aug. 7, 2001**

(54) **FIBERGLASS POOL**

(76) **Inventor:** **Kirk Sullivan**, 2302 Lass La.,
Lakeland, FL (US) 33801

(**) **Term:** **14 Years**

(21) **Appl. No.:** **29/124,142**

(22) **Filed:** **May 31, 2000**

(51) **LOC (7) Cl.** **25-03**

(52) **U.S. Cl.** **D25/2**

(58) **Field of Search** D25/2; 4/488,
4/524, 513; D24/204, 205, 38

(56) **References Cited**

U.S. PATENT DOCUMENTS

D. 228,891 * 10/1973 Figueroa D25/2

D. 271,995 * 12/1983 Topete D25/2

* cited by examiner

Primary Examiner—Doris Clark

(74) *Attorney, Agent, or Firm*—Stetina Brunda et al.

(57) **CLAIM**

The ornamental design for a fiberglass pool, as shown and described.

DESCRIPTION

FIG. 1 is a perspective view of the fiberglass swimming pool of the present invention;

FIG. 2 is a top plan view thereof;

FIG. 3 is an elevational view of the right-side thereof;

FIG. 4 is a rear elevational view thereof;

FIG. 5 is a plan view of the bottom thereof;

FIG. 6 is an elevational view of the left-side thereof; and,

FIG. 7 is a frontal view thereof.

1 Claim, 2 Drawing Sheets

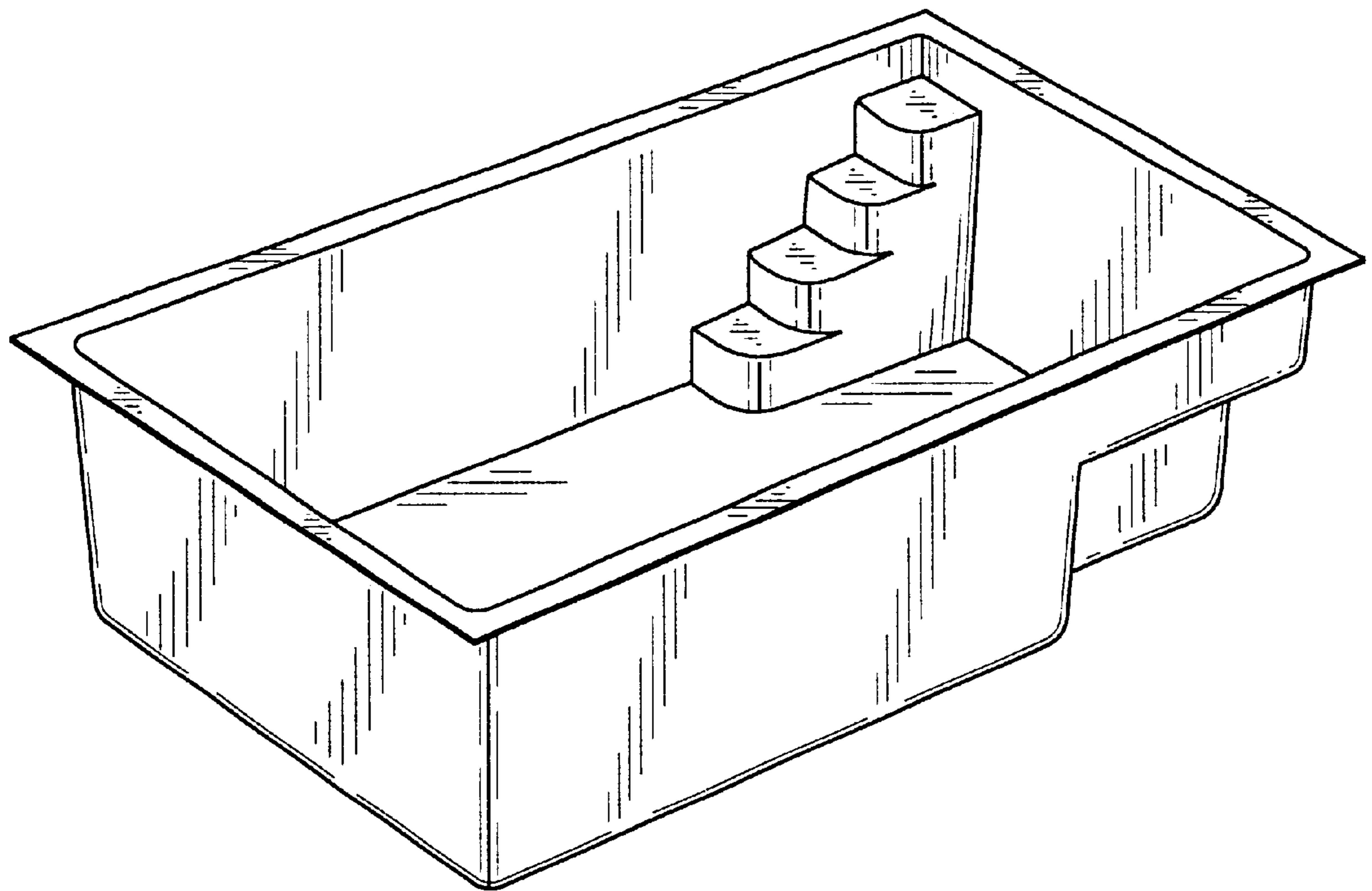


Fig. 1

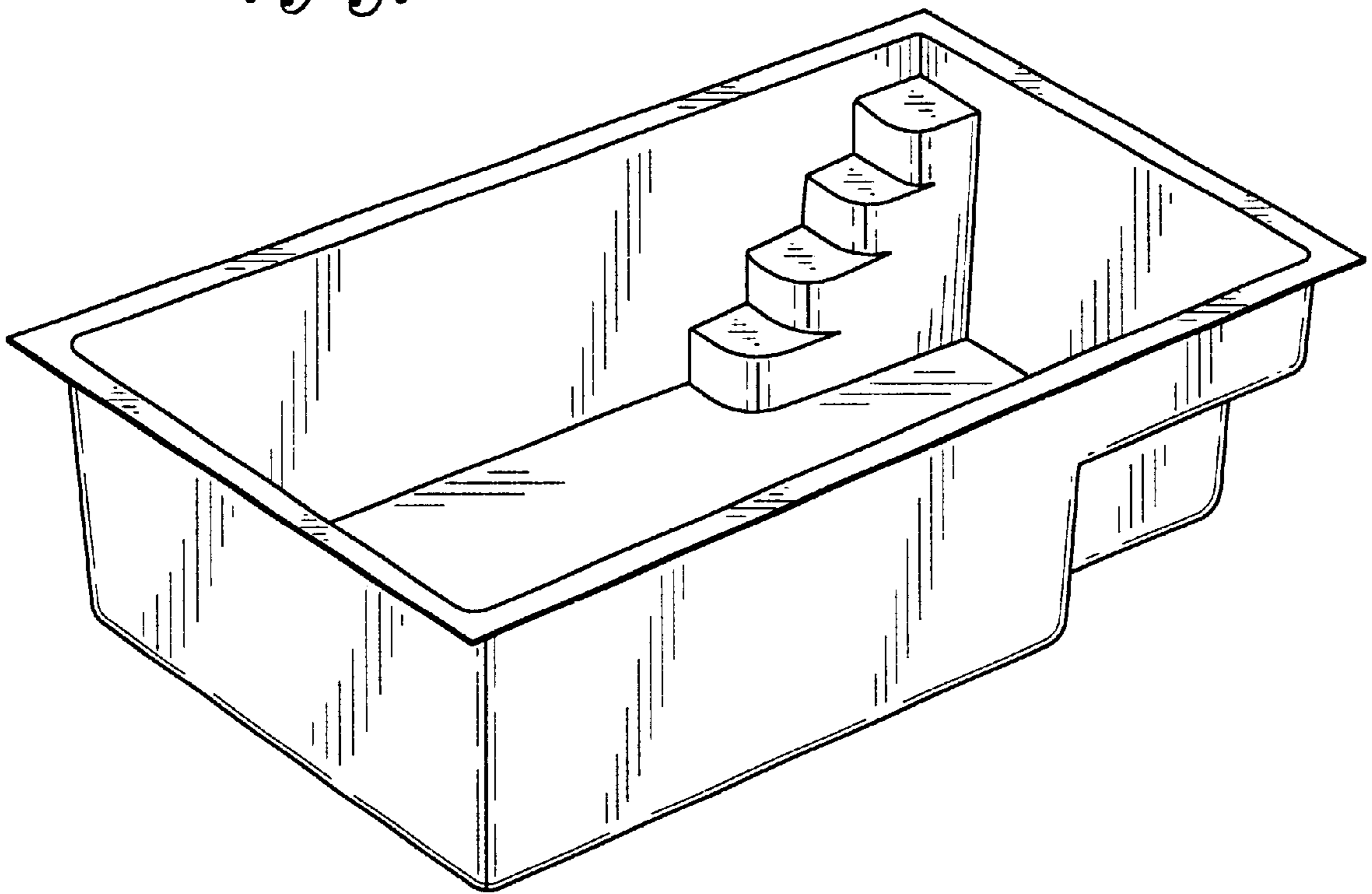


Fig. 2

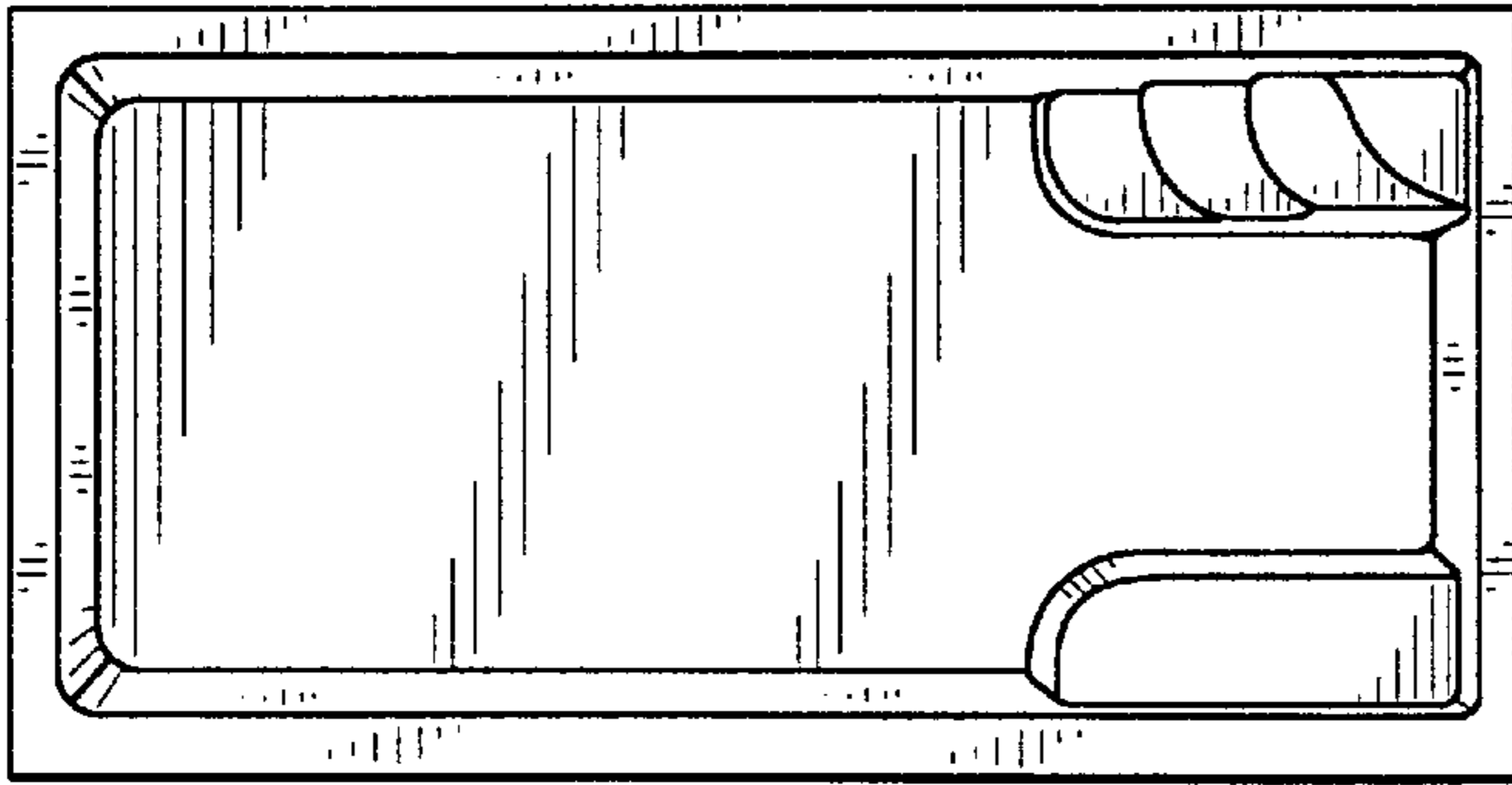


Fig. 3

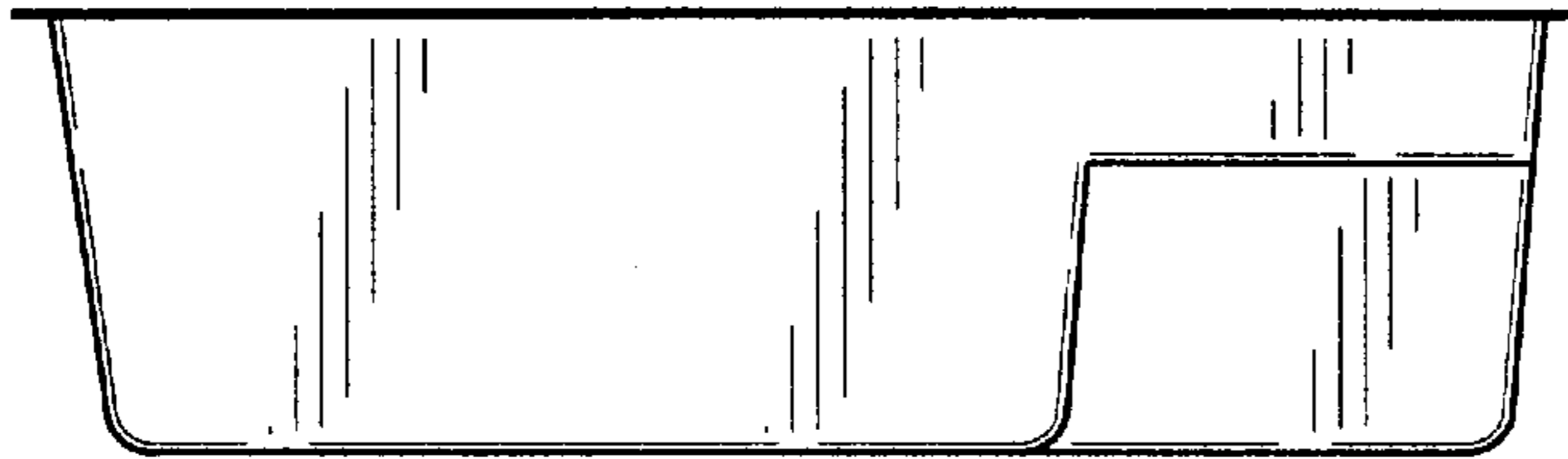


Fig. 4

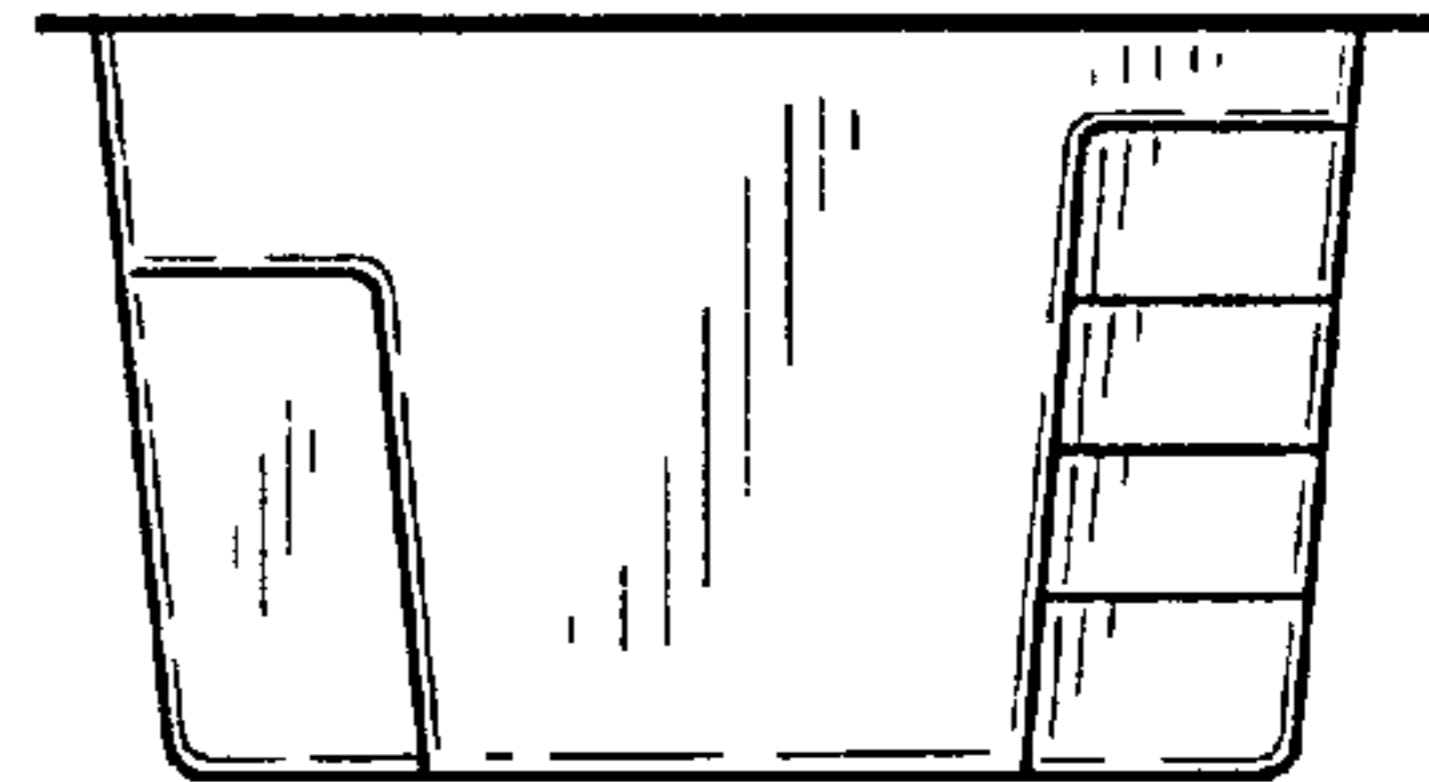


Fig. 5

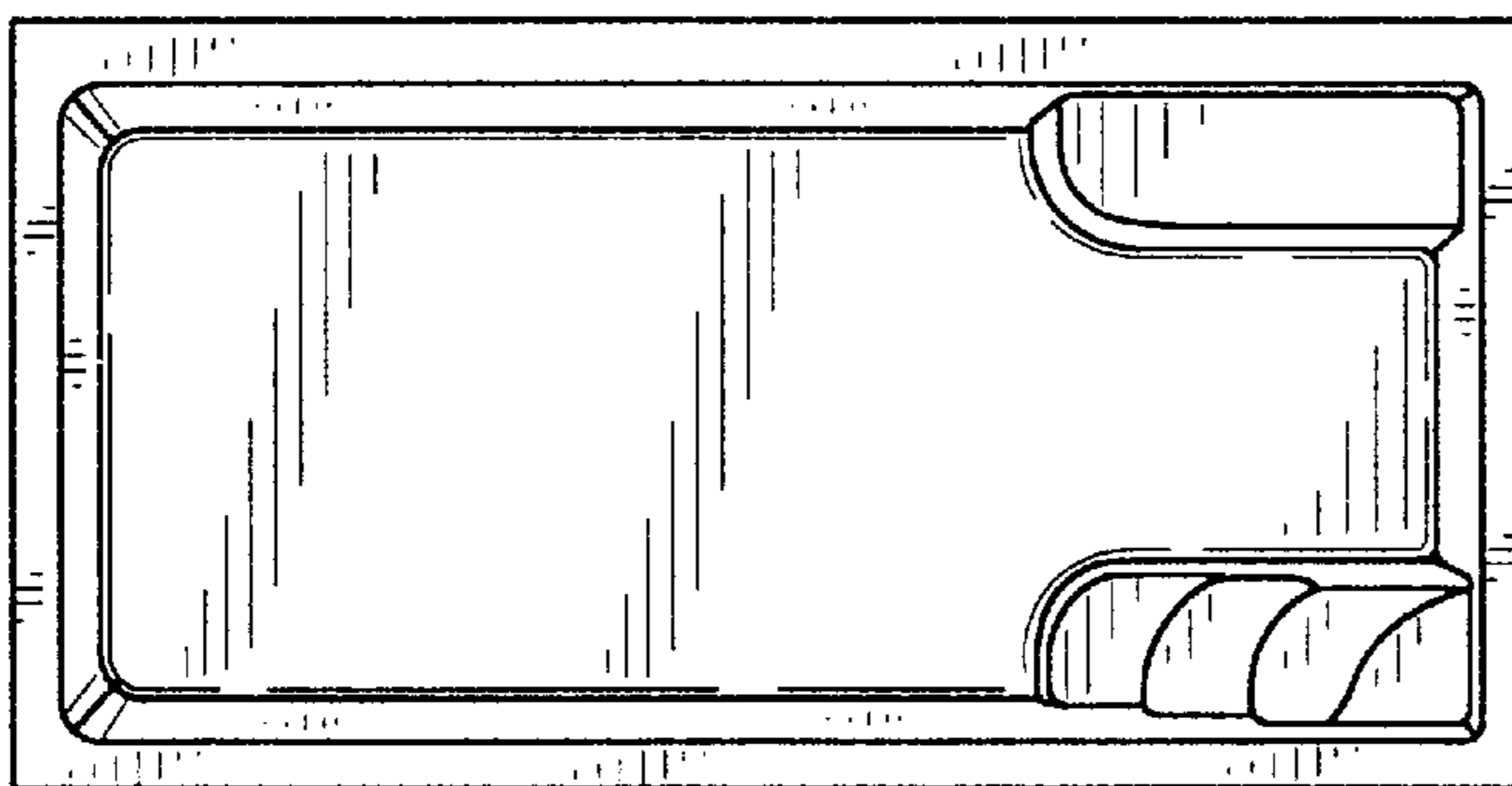


Fig. 6

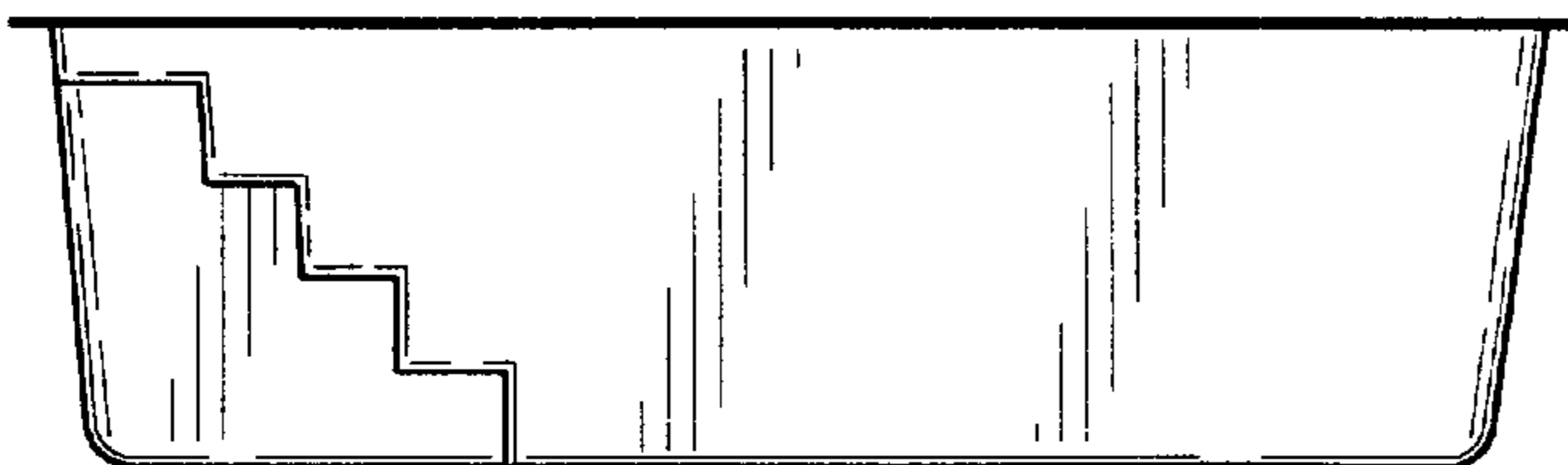


Fig. 7

