



US00D446311S

(12) **United States Design Patent**  
**Wescott, III**

(10) **Patent No.:** **US D446,311 S**

(45) **Date of Patent:** **\*\* Aug. 7, 2001**

(54) **TEST TUBE RECEPTACLE**

(76) Inventor: **Harvey M. Wescott, III**, 37 Bart Rd.,  
Billerica, MA (US) 01862

(\*\*) Term: **14 Years**

(21) Appl. No.: **29/106,708**

(22) Filed: **Jun. 18, 1999**

(51) **LOC (7) Cl.** ..... **06-04**

(52) **U.S. Cl.** ..... **D24/230**

(58) **Field of Search** ..... D24/230, 227;  
422/102, 100; 206/360

|             |         |                 |       |         |
|-------------|---------|-----------------|-------|---------|
| 4,963,493   | 10/1990 | Daftsios        | ..... | 435/287 |
| 5,098,663   | 3/1992  | Berthold et al. | ..... | 422/104 |
| 5,186,339   | 2/1993  | Heissler        | ..... | 211/74  |
| 5,396,989 * | 3/1995  | Hein            | ..... | 206/366 |
| 5,735,455   | 4/1998  | Raniere, Sr.    | ..... | 229/185 |
| 5,816,548   | 10/1998 | Blossom, III    | ..... |         |

\* cited by examiner

*Primary Examiner*—Ian Simmons

(74) *Attorney, Agent, or Firm*—Pearson & Pearson, LLP

(57) **CLAIM**

The ornamental design for the test tube receptacle, as shown and described.

(56) **References Cited**

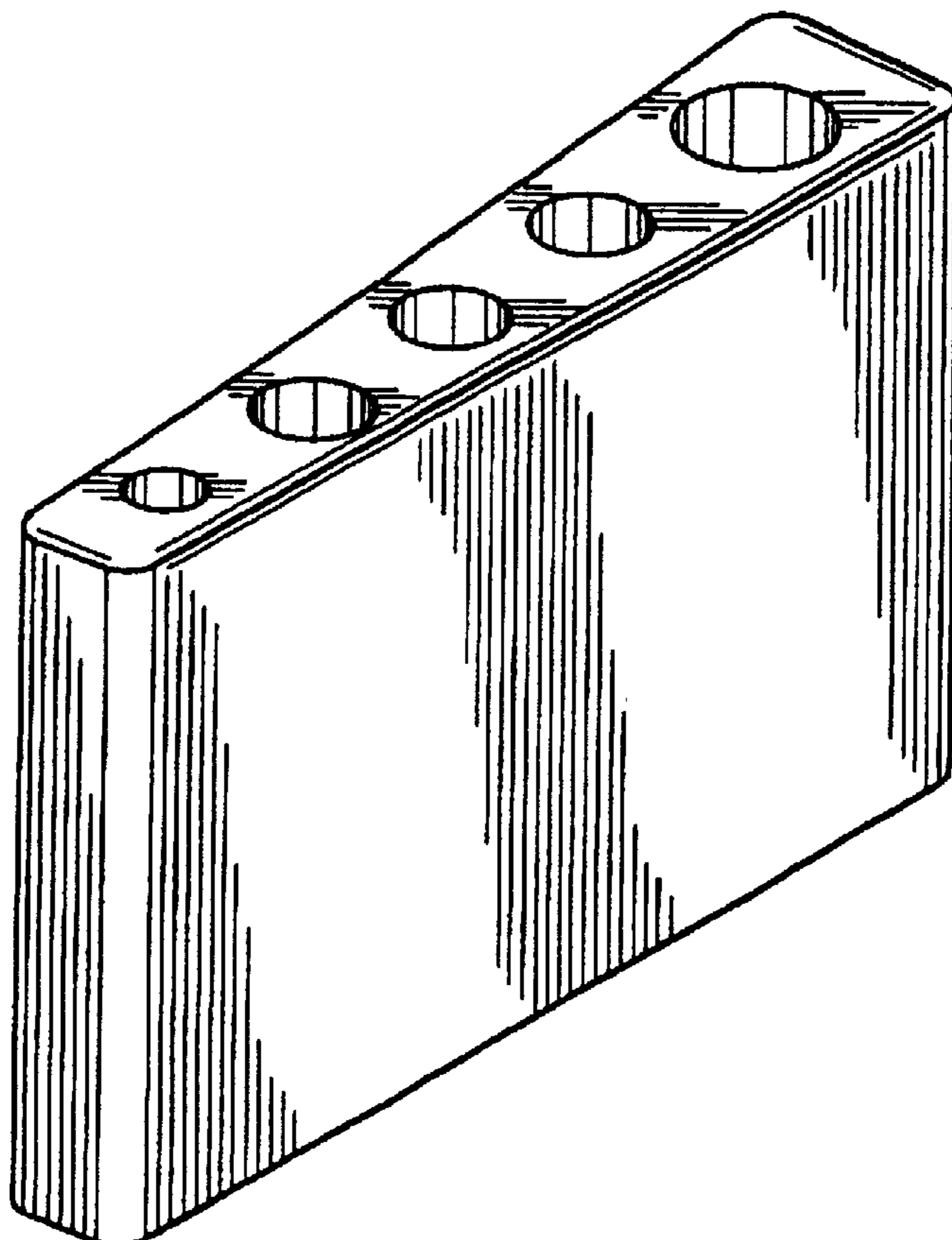
**U.S. PATENT DOCUMENTS**

|              |         |              |       |           |
|--------------|---------|--------------|-------|-----------|
| D. 269,041 * | 5/1983  | Dohogne      | ..... | D24/140   |
| D. 282,206 * | 1/1986  | Roy et al.   | ..... | D24/230   |
| D. 359,127 * | 6/1995  | Biesecker    | ..... | D24/227   |
| D. 381,515 * | 7/1997  | Haynes       | ..... | D3/313    |
| 2,755,018    | 7/1956  | Grela et al. | ..... |           |
| 3,905,482    | 9/1975  | Knulst       | ..... | 211/74    |
| 3,982,716    | 9/1976  | Trees        | ..... | 248/206 A |
| 4,364,904    | 12/1982 | Eberle       | ..... | 422/104   |
| 4,391,780    | 7/1983  | Boris        | ..... | 422/102   |
| 4,453,639    | 6/1984  | Sharma       | ..... | 211/74    |
| 4,569,462    | 2/1986  | Belokin      | ..... | 222/180   |
| 4,660,715    | 4/1987  | Anastos      | ..... | 206/0.8   |

**DESCRIPTION**

FIG. 1 is a front perspective view of the test tube receptacle showing my new design;  
 FIG. 2 is a right side elevational view of the test tube receptacle thereof;  
 FIG. 3 is a left side elevational view of the test tube receptacle thereof;  
 FIG. 4 is a top plan view of the test tube receptacle thereof; and,  
 FIG. 5 is a bottom plan view of the test tube receptacle thereof.

**1 Claim, 2 Drawing Sheets**



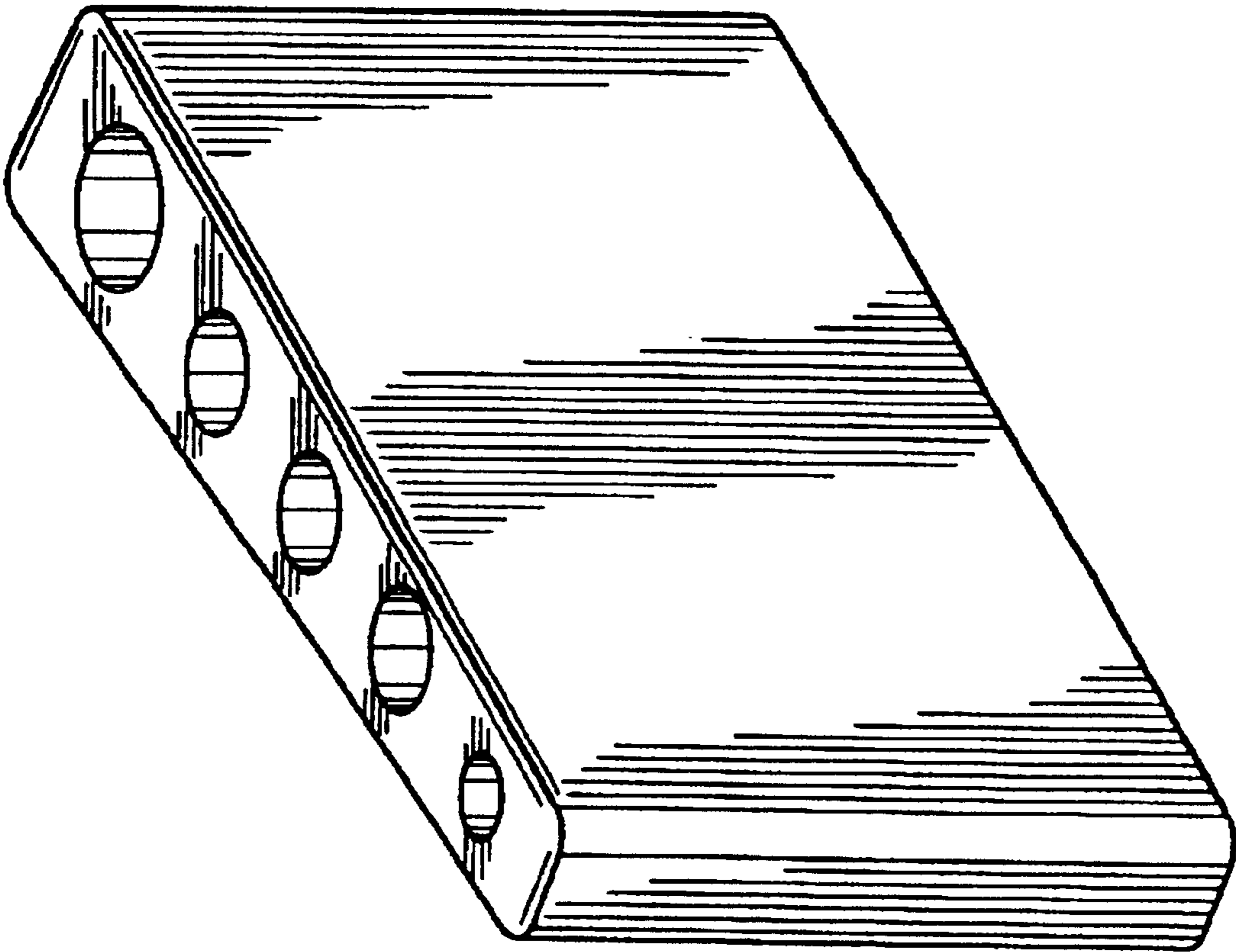


FIG. 1

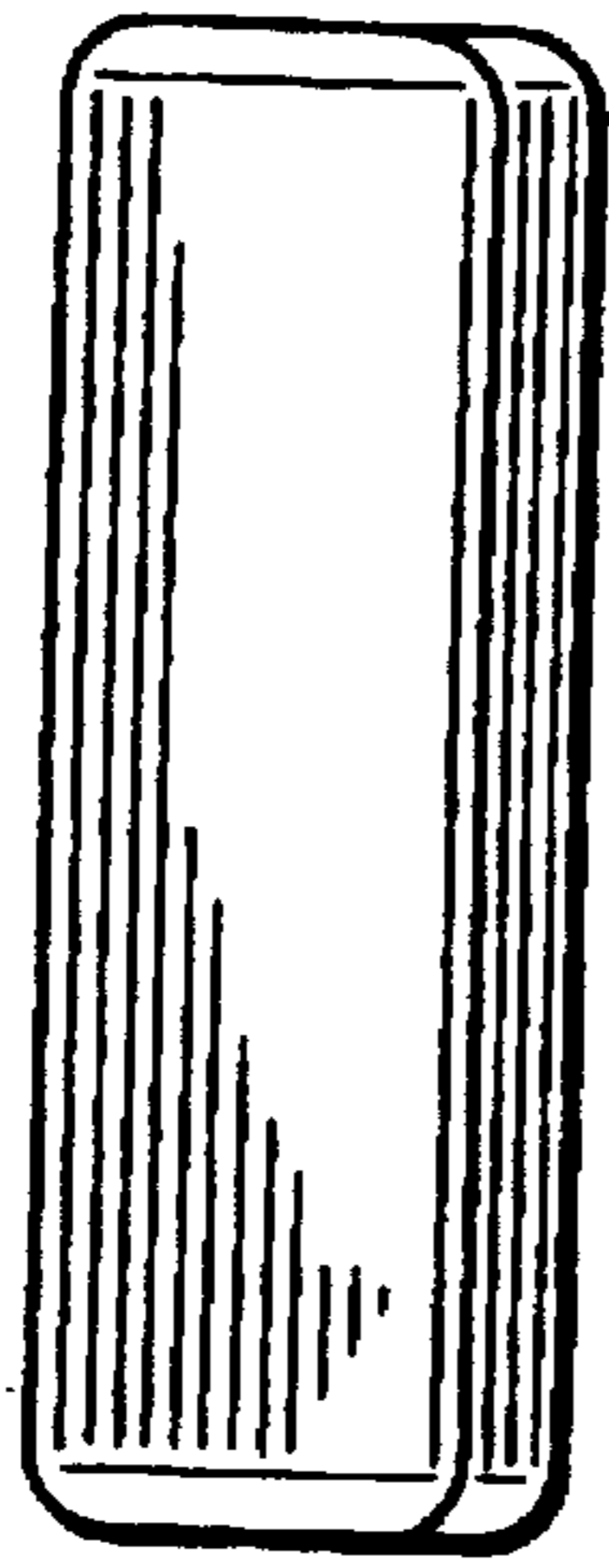


FIG. 2



FIG. 3

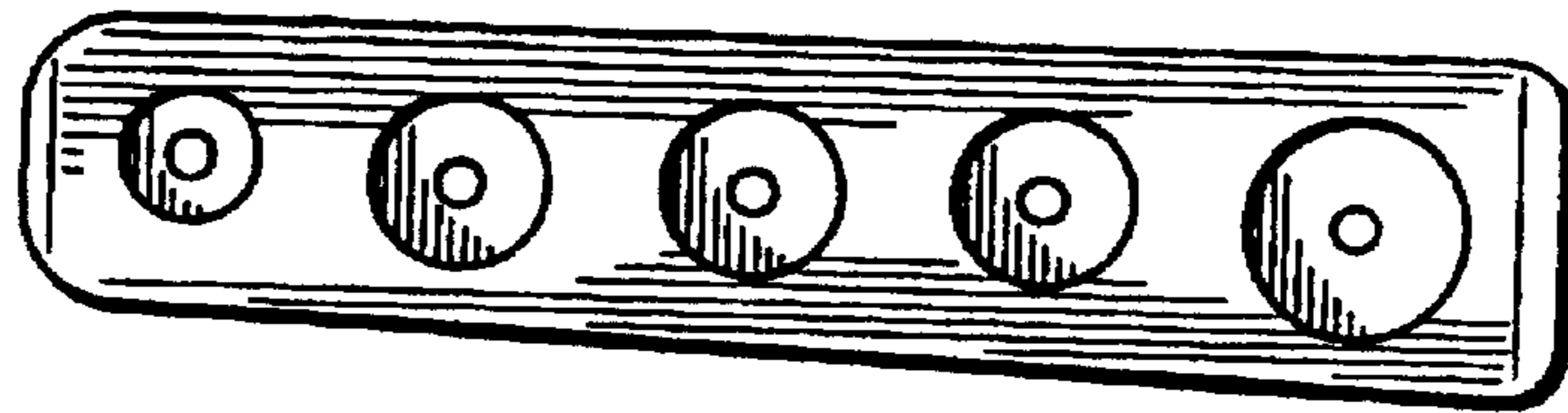


FIG. 4

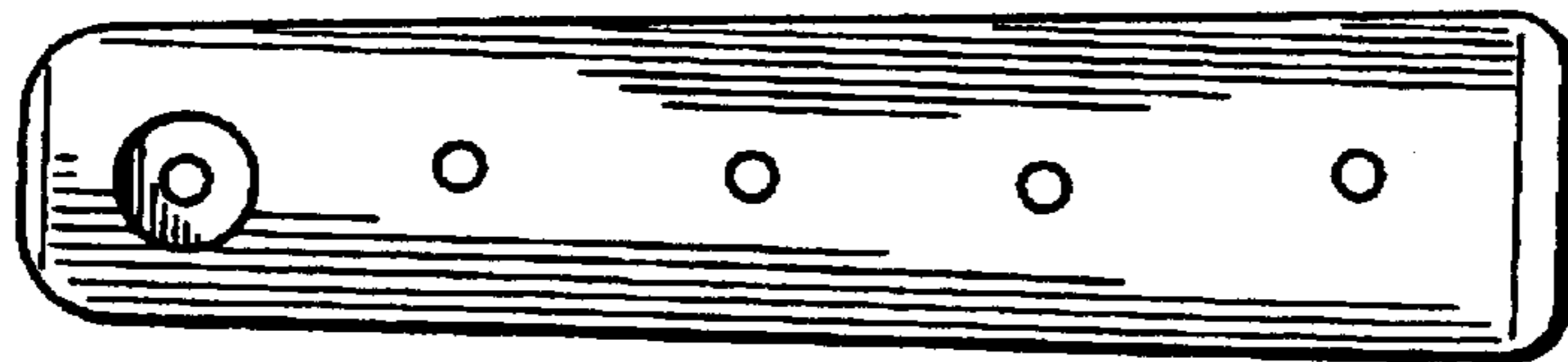


FIG. 5