



US00D446309S

(12) **United States Design Patent**  
**Bower**

(10) **Patent No.:** **US D446,309 S**

(45) **Date of Patent:** **\*\* Aug. 7, 2001**

(54) **SPA SHELL**

D. 405,186 \* 2/1999 Larsen ..... D24/204  
D. 436,178 \* 1/2001 Larsen et al. .... D24/204

(75) **Inventor:** **Ken S. Bower**, Vista, CA (US)

\* cited by examiner

(73) **Assignee:** **Watkins Manufacturing Corporation**,  
Vista, CA (US)

*Primary Examiner*—Stella Reid

(74) *Attorney, Agent, or Firm*—Price and Gess

(\*\*) **Term:** **14 Years**

(57) **CLAIM**

(21) **Appl. No.:** **29/132,529**

The ornamental design for a spa shell, as shown and described.

(22) **Filed:** **Nov. 10, 2000**

(51) **LOC (7) Cl.** ..... **24-04**

**DESCRIPTION**

(52) **U.S. Cl.** ..... **D24/204; D24/201**

FIG. 1 is a top front perspective view of a spa shell, showing my new design;

(58) **Field of Search** ..... D24/201, 204;  
4/541.1, 541.2, 541.3, 541.4, 541.5, 541.6

FIG. 2 is a top plan view thereof;

FIG. 3 is a side view thereof, the opposite side being identical; and,

(56) **References Cited**

**U.S. PATENT DOCUMENTS**

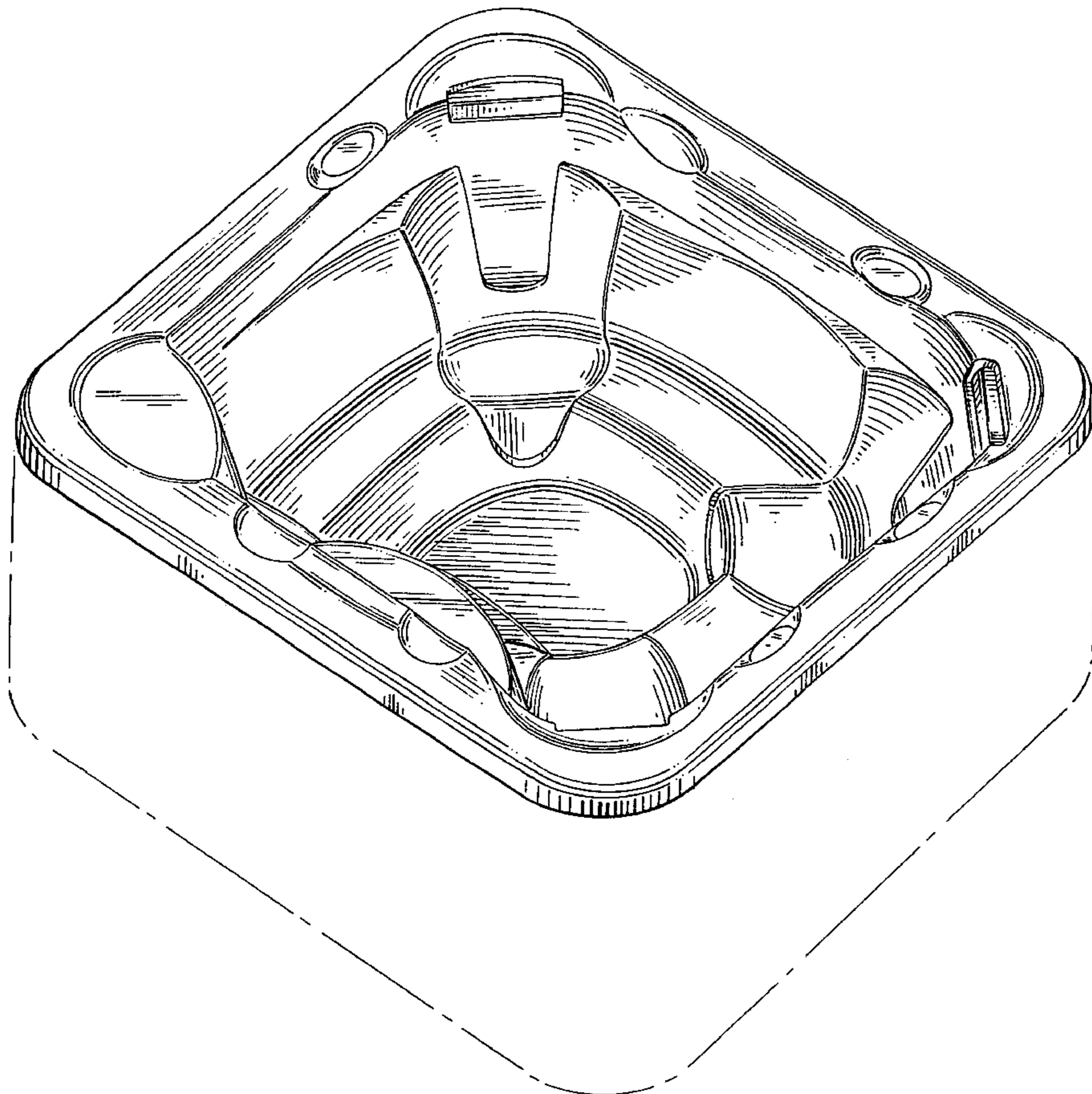
FIG. 4 is a view of the longer side, the opposite side view being identical.

- D. 270,760 \* 9/1983 Wiley ..... D24/204
- D. 277,985 \* 3/1985 Kingsley ..... D24/204
- D. 301,374 \* 5/1989 D'Innocente ..... D24/204
- D. 387,869 \* 12/1997 Larsen ..... D24/204
- D. 405,182 \* 2/1999 Larsen ..... D24/204
- D. 405,185 \* 2/1999 Larsen ..... D24/204

The bottom of the article is plain and unornamented.

The broken line showing in FIGS. 1 and 3-5 is for illustrative purposes only and forms no part of the claimed design.

**1 Claim, 3 Drawing Sheets**



*FIG. 1*

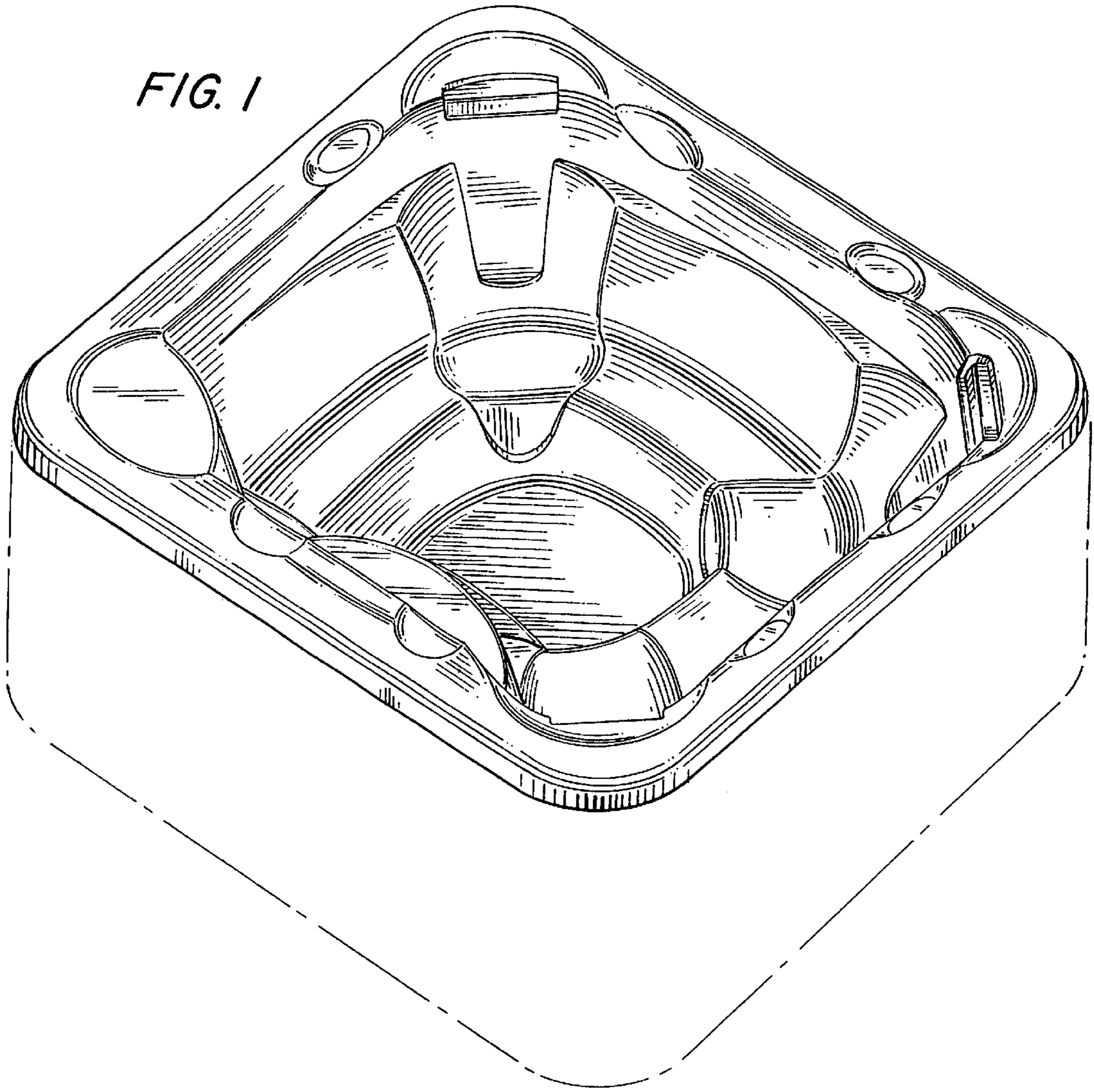
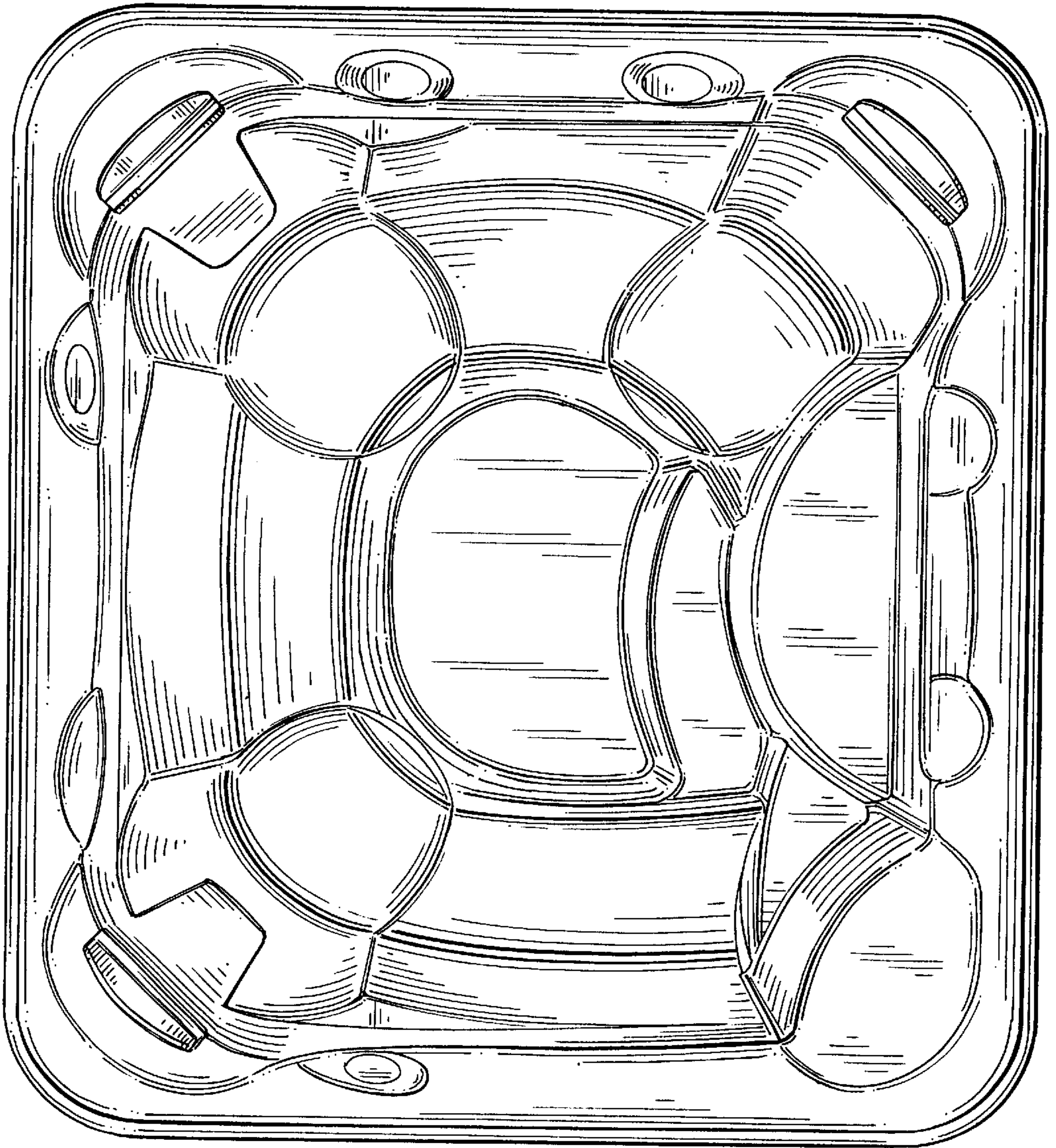
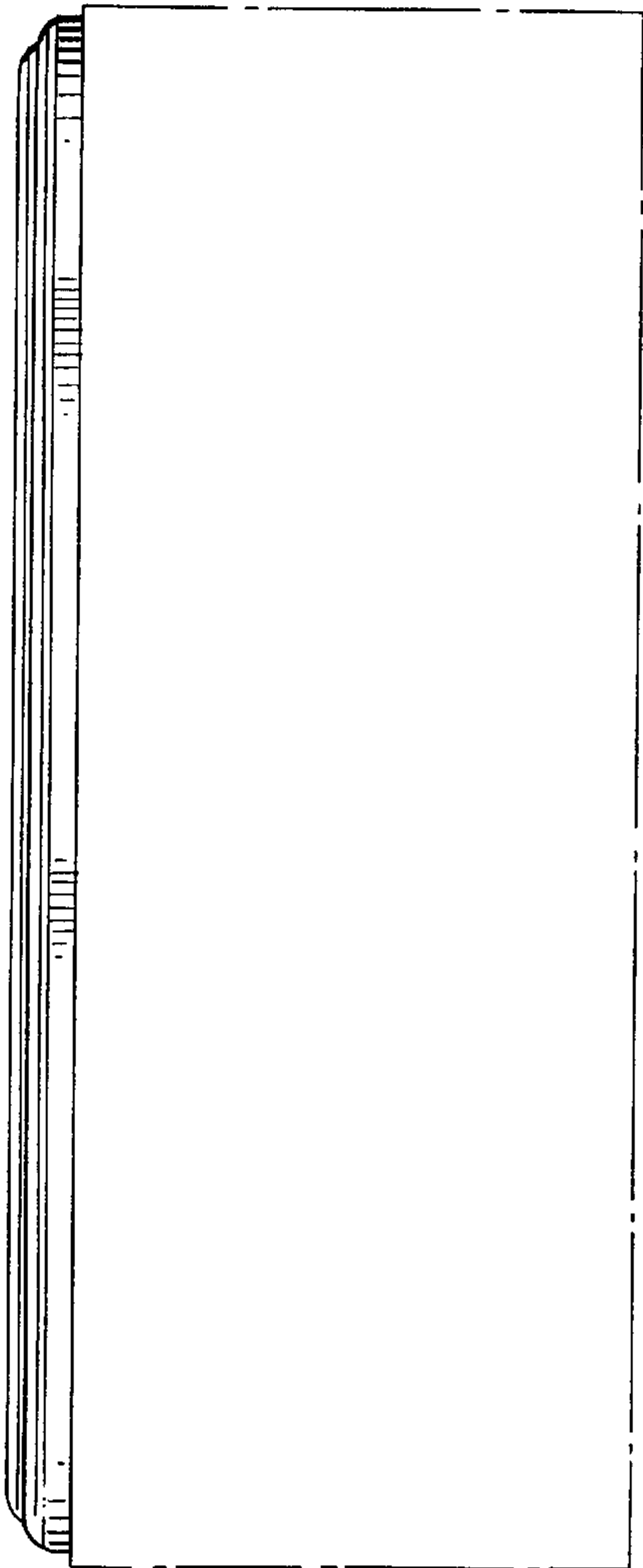


FIG. 2



*FIG. 3*



*FIG. 4*

