



US00D446308S

(12) **United States Design Patent**
Schmitmeyer

(10) **Patent No.:** **US D446,308 S**

(45) **Date of Patent:** **** Aug. 7, 2001**

(54) **REFLEXOLOGY TOOL**

(76) **Inventor:** **Nicole R. Schmitmeyer**, 195 Ben St.,
P.O. Box 227, Fort Loramie, OH (US)
45845-0227

(**) **Term:** **14 Years**

(21) **Appl. No.:** **29/129,121**

(22) **Filed:** **Sep. 8, 2000**

(51) **LOC (7) Cl.** **24-04**

(52) **U.S. Cl.** **D24/200**

(58) **Field of Search** D24/200; 128/907;
600/557, 548, 553; 601/119, 134, 135,
120, 121

(56) **References Cited**

U.S. PATENT DOCUMENTS

- D. 346,866 * 5/1994 Lotuaco D24/200
- D. 347,898 * 6/1994 Belcher D24/211
- D. 382,342 * 8/1997 Rosen D24/142

- 3,750,654 * 8/1973 Shiu 601/121
- 4,378,007 3/1983 Kachadourian .
- 4,622,956 * 11/1986 Nesheim 601/119
- 4,648,387 3/1987 Simmons .

* cited by examiner

Primary Examiner—Stella Reid

(74) *Attorney, Agent, or Firm*—Jacox, Meckstroth & Jenkins

(57) **CLAIM**

The ornamental design for a reflexology tool, as shown and described.

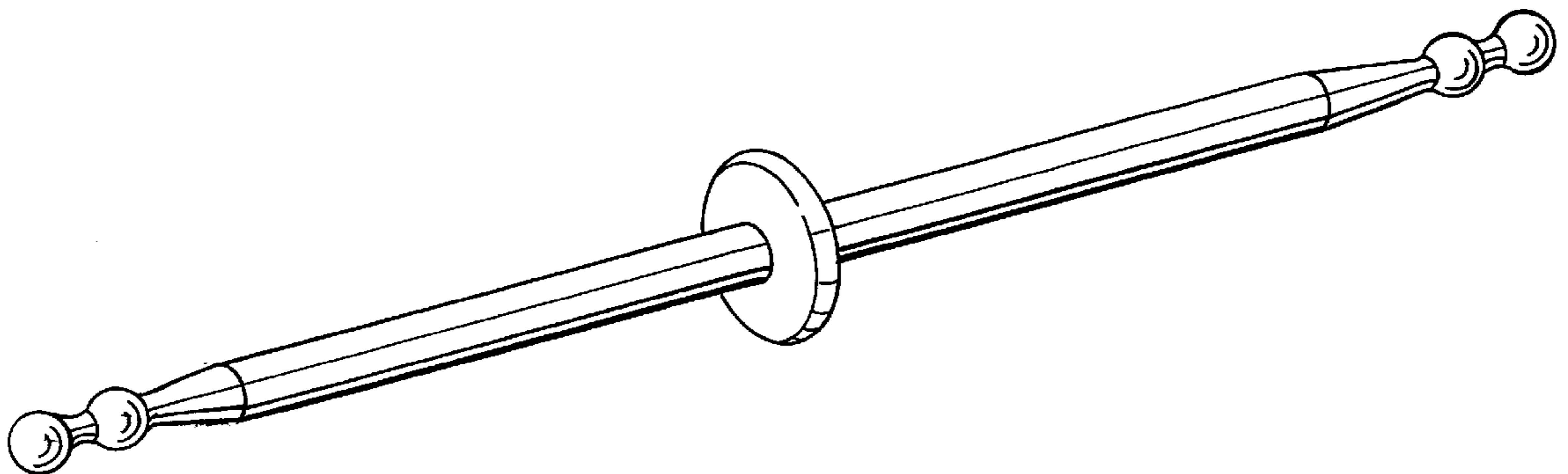
DESCRIPTION

FIG. 1 is a perspective view of a reflexology tool showing my new design;

FIG. 2 is a side view thereof, all side views being the same; and,

FIG. 3 is an end view thereof, the opposite end view being the same.

1 Claim, 1 Drawing Sheet



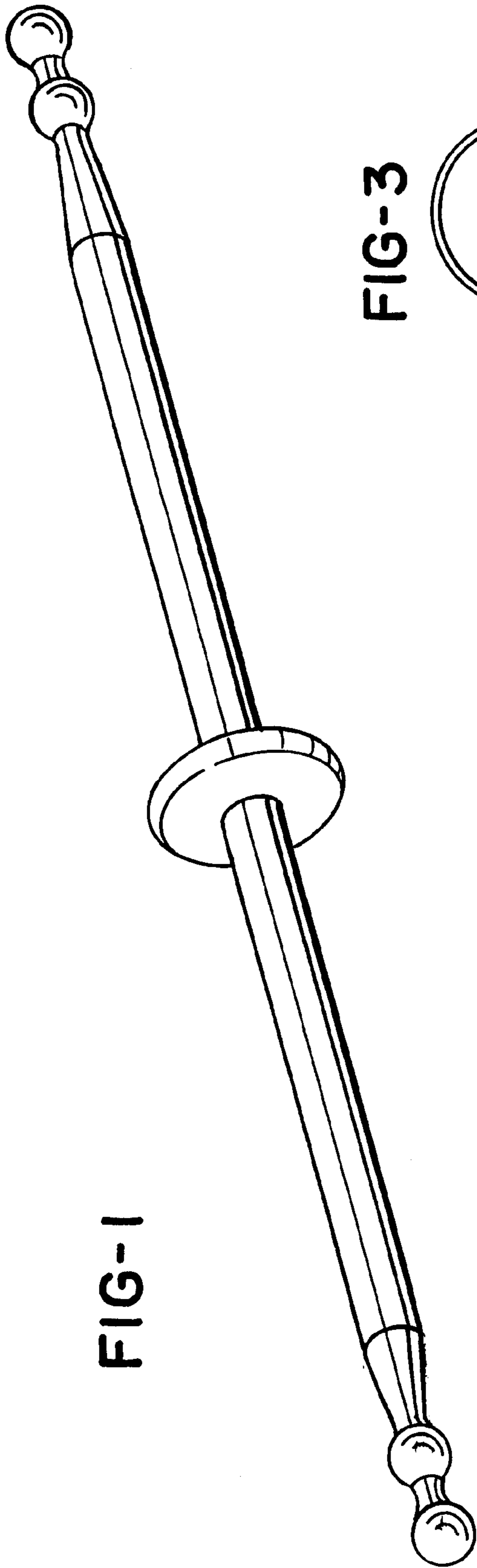


FIG-1

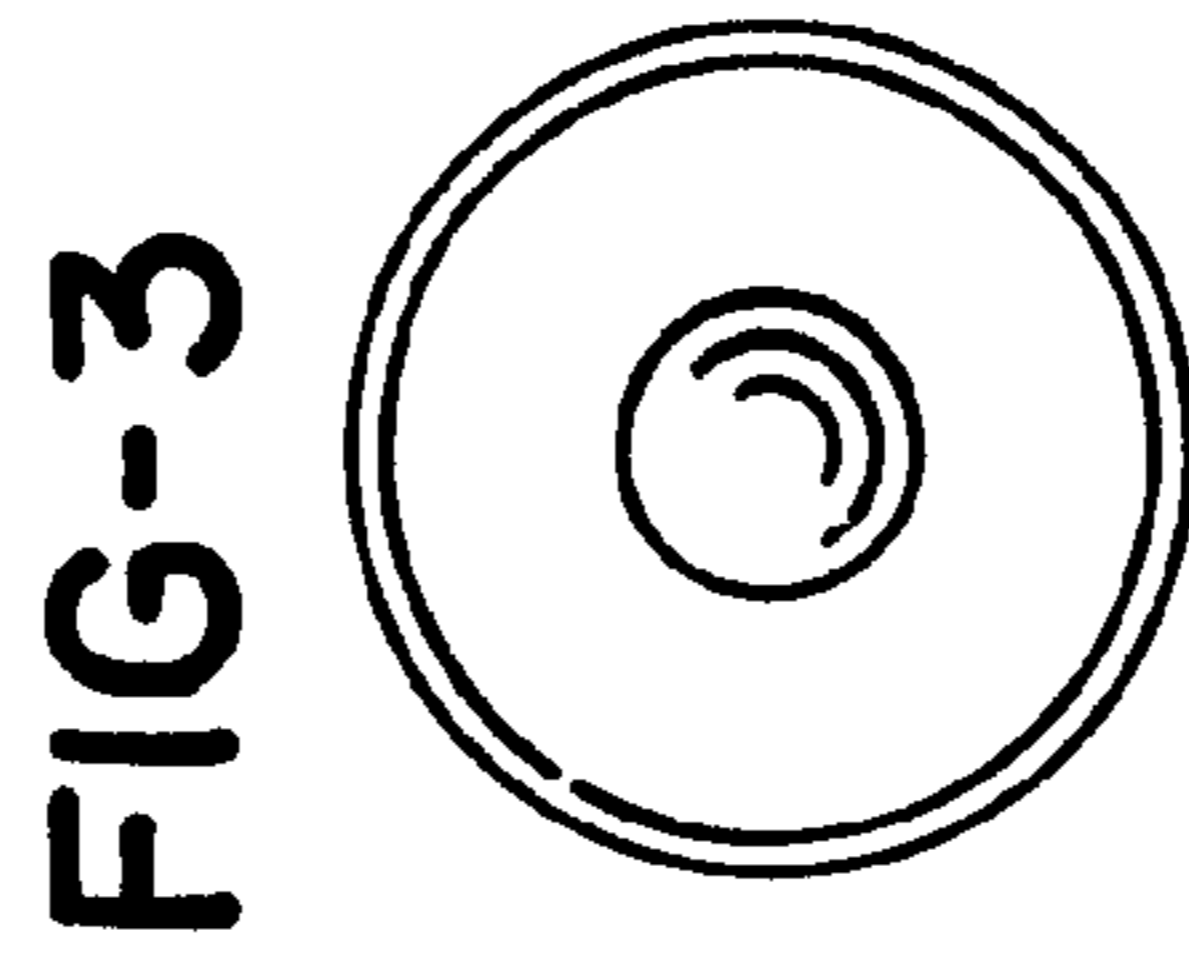


FIG-3

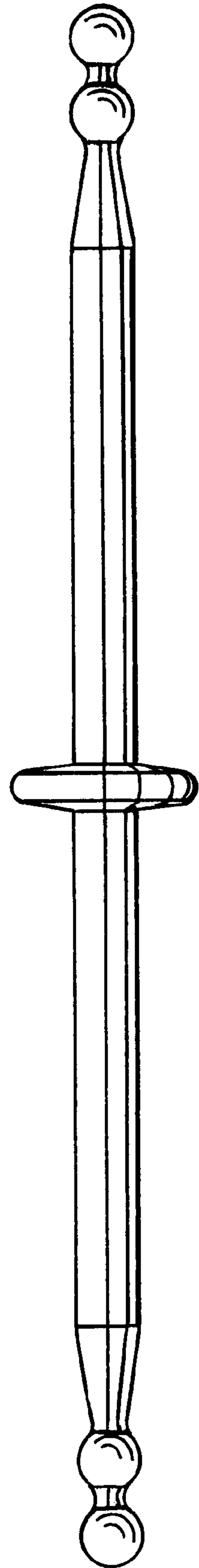


FIG-2