



US00D446306S

(12) **United States Design Patent**
Ochi et al.

(10) **Patent No.:** **US D446,306 S**

(45) **Date of Patent:** **** Aug. 7, 2001**

(54) **MEDICAL INFORMATION
COMMUNICATION APPARATUS**

FOREIGN PATENT DOCUMENTS

1042980 7/1999 (JP) .

(75) Inventors: **Kensuke Ochi**, Nara; **Naoki Hatakenaka**, Osaka, both of (JP)

OTHER PUBLICATIONS

(73) Assignee: **Matsushita Electric Industrial Co., Ltd.**, Osaka (JP)

Nihon Kohden Corporation catalog; "TMS-5002 and TMS-3001", Mar. 1999.

Secom Co., Ltd.catalog; "MediData", 1997.

(**) Term: **14 Years**

* cited by examiner

(21) Appl. No.: **29/130,109**

Primary Examiner—Stella Reid

(22) Filed: **Sep. 27, 2000**

(74) *Attorney, Agent, or Firm*—Christensen O'Connor Johnson Kindness PLLC

(30) **Foreign Application Priority Data**

(57) **CLAIM**

Apr. 26, 2000 (JP) 8-011012

The ornamental design for a medical information communication apparatus, as shown and described.

(51) **LOC (7) Cl.** **24-01**

DESCRIPTION

(52) **U.S. Cl.** **D24/186; D24/165; D24/167**

(58) **Field of Search** D24/186, 165, D24/167; 600/316, 319, 323, 326, 347, 481, 483, 508

FIG. 1 is a perspective view of the top, front and right side of a medical information communication apparatus showing our new design;

FIG. 2 is a front view thereof;

FIG. 3 is a rear view thereof;

FIG. 4 is a right side view thereof;

FIG. 5 is a left side view thereof;

FIG. 6 is a top plan view thereof;

FIG. 7 is a bottom view thereof; and,

FIG. 8 is a perspective view thereof with the lid in open condition.

(56) **References Cited**

U.S. PATENT DOCUMENTS

- D. 285,965 * 9/1986 Nishibori et al. D24/165
- D. 297,081 * 8/1988 Baldree et al. D6/462
- D. 310,120 * 8/1990 Wickham et al. D24/186
- D. 319,876 * 9/1991 Kida et al. D24/165
- D. 338,271 * 8/1993 Yoshikawa et al. D24/165
- D. 344,338 * 2/1994 Yoshikawa et al. D24/165
- 4,458,690 * 7/1984 O'Connor et al. 600/494

1 Claim, 5 Drawing Sheets

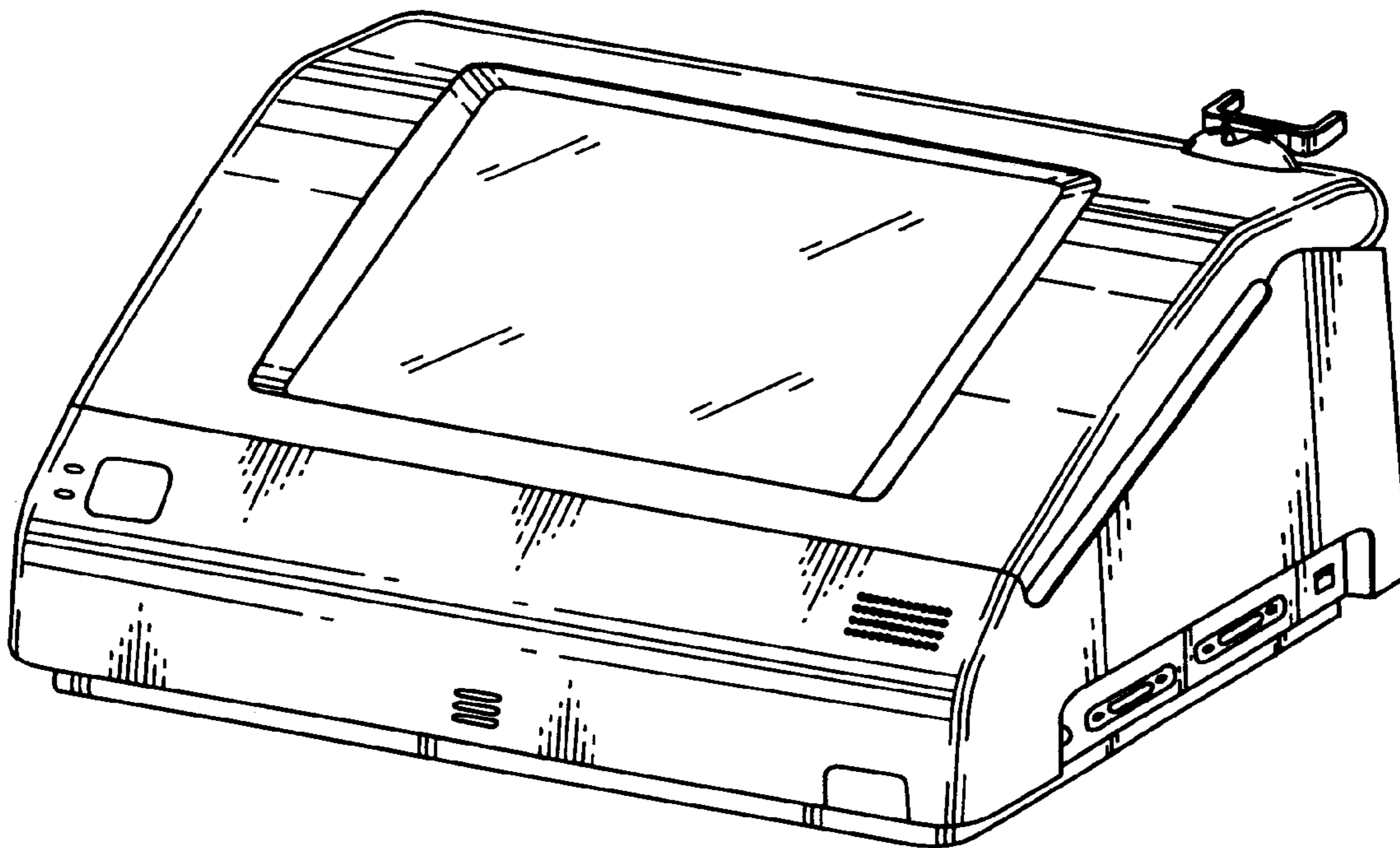


Fig. 1

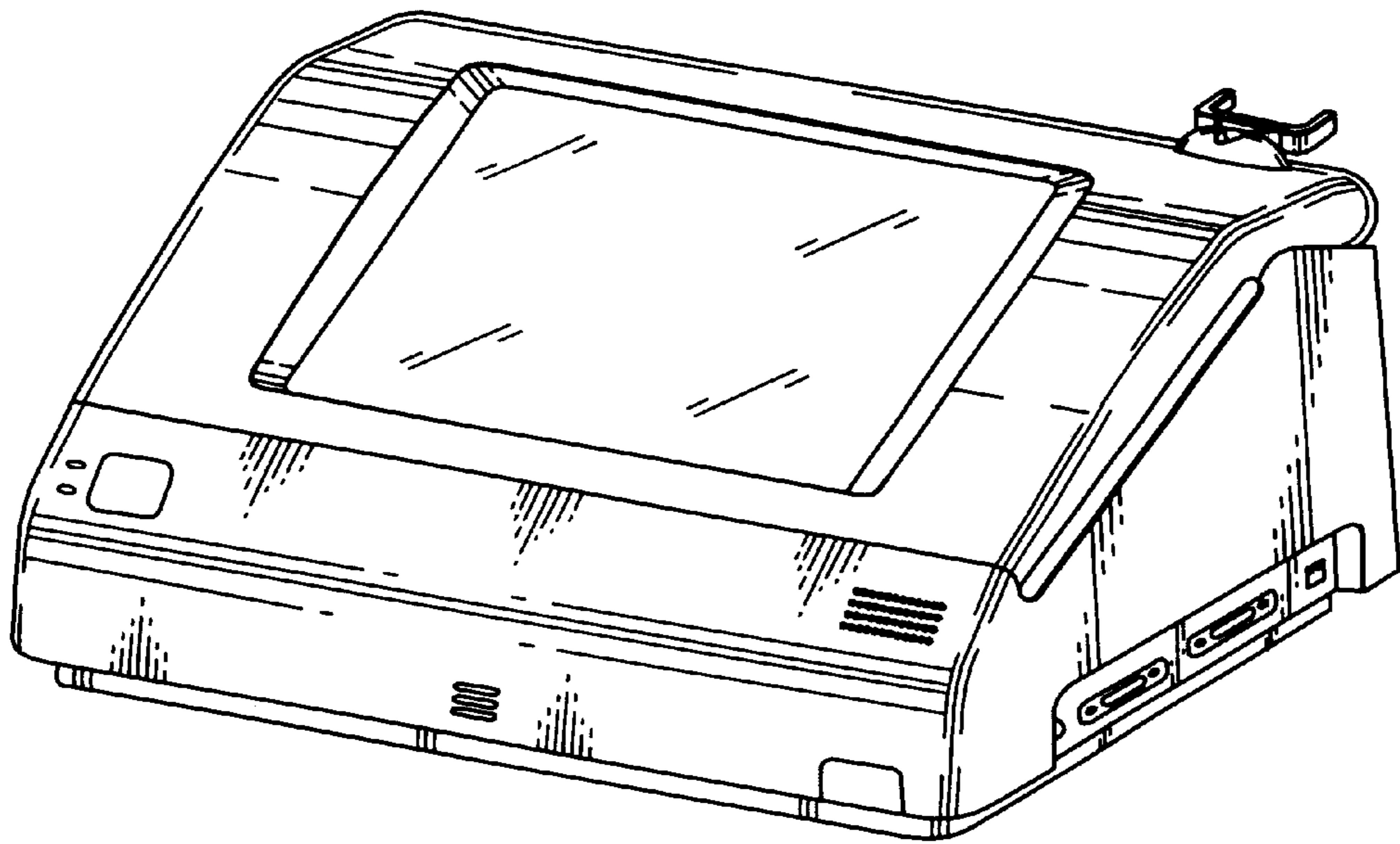


Fig. 2

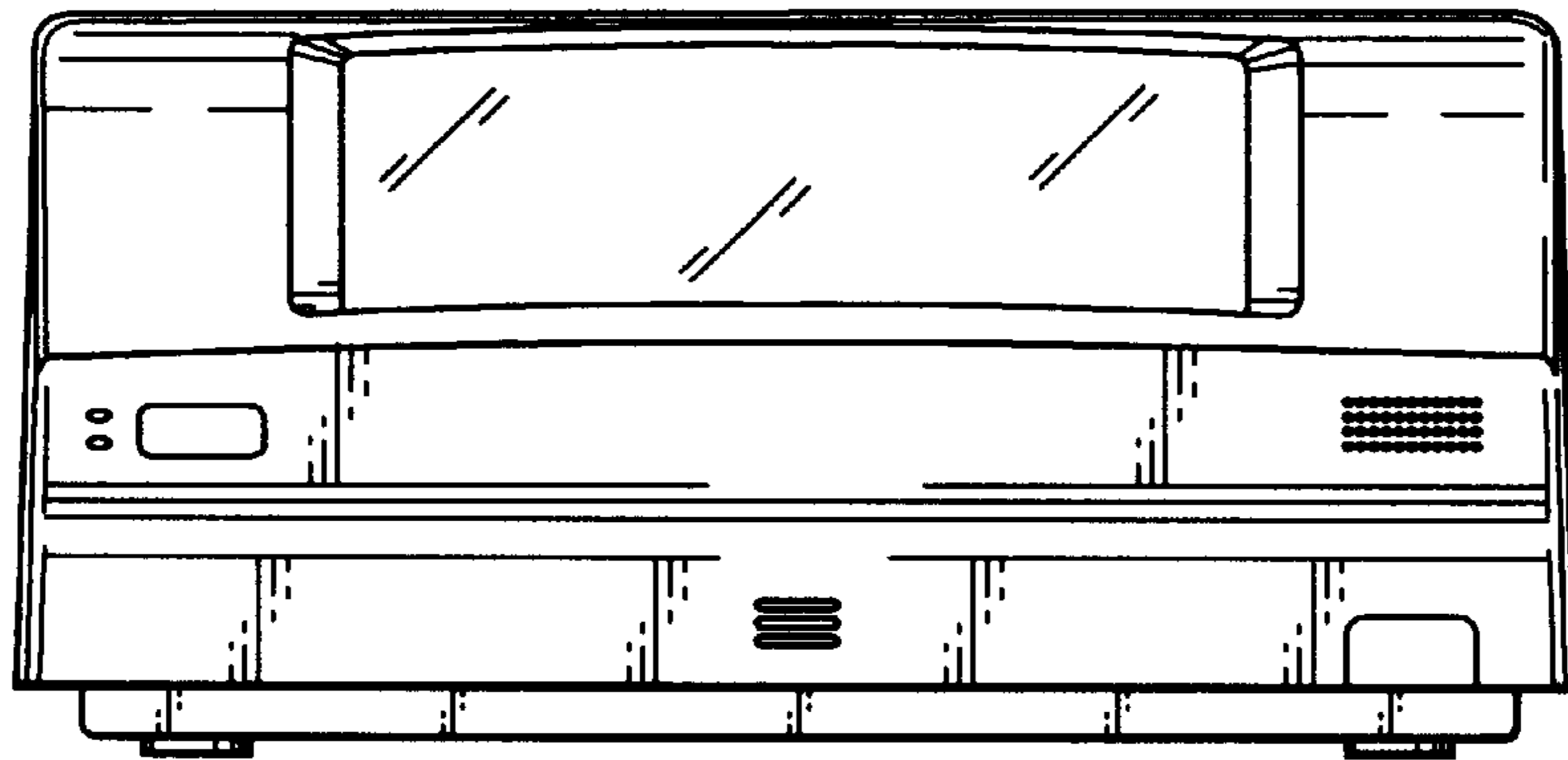


Fig. 3

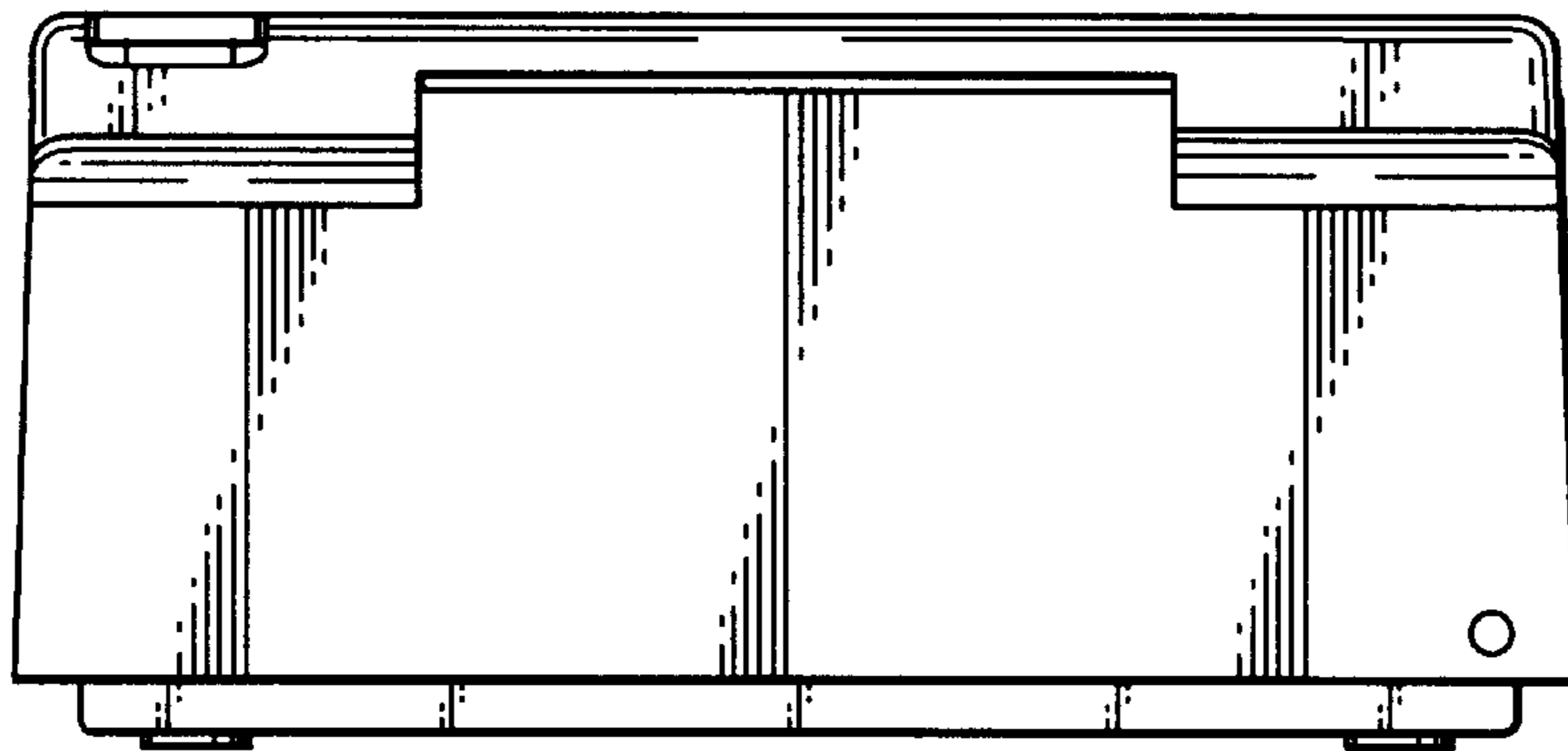


Fig. 4

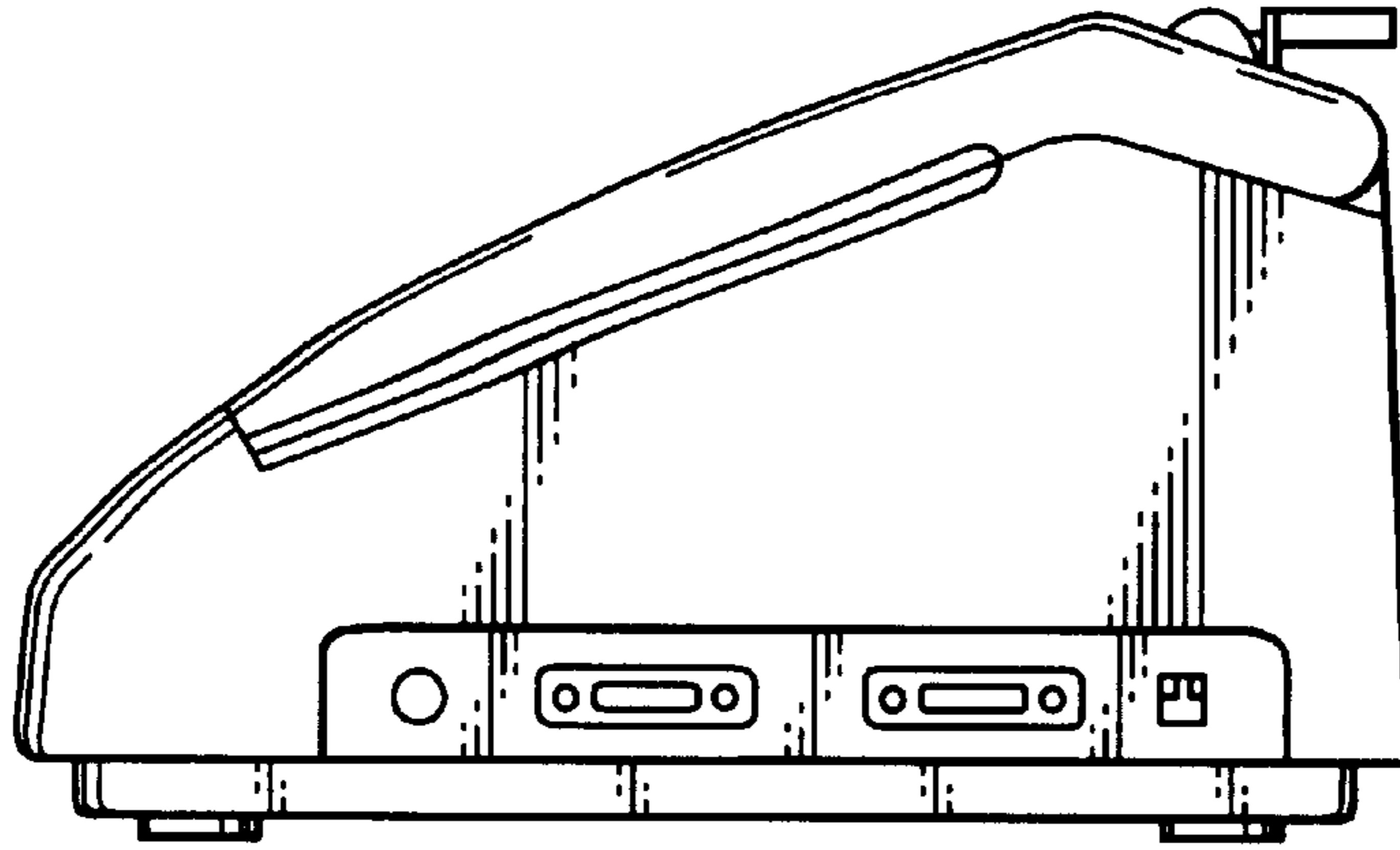


Fig. 5

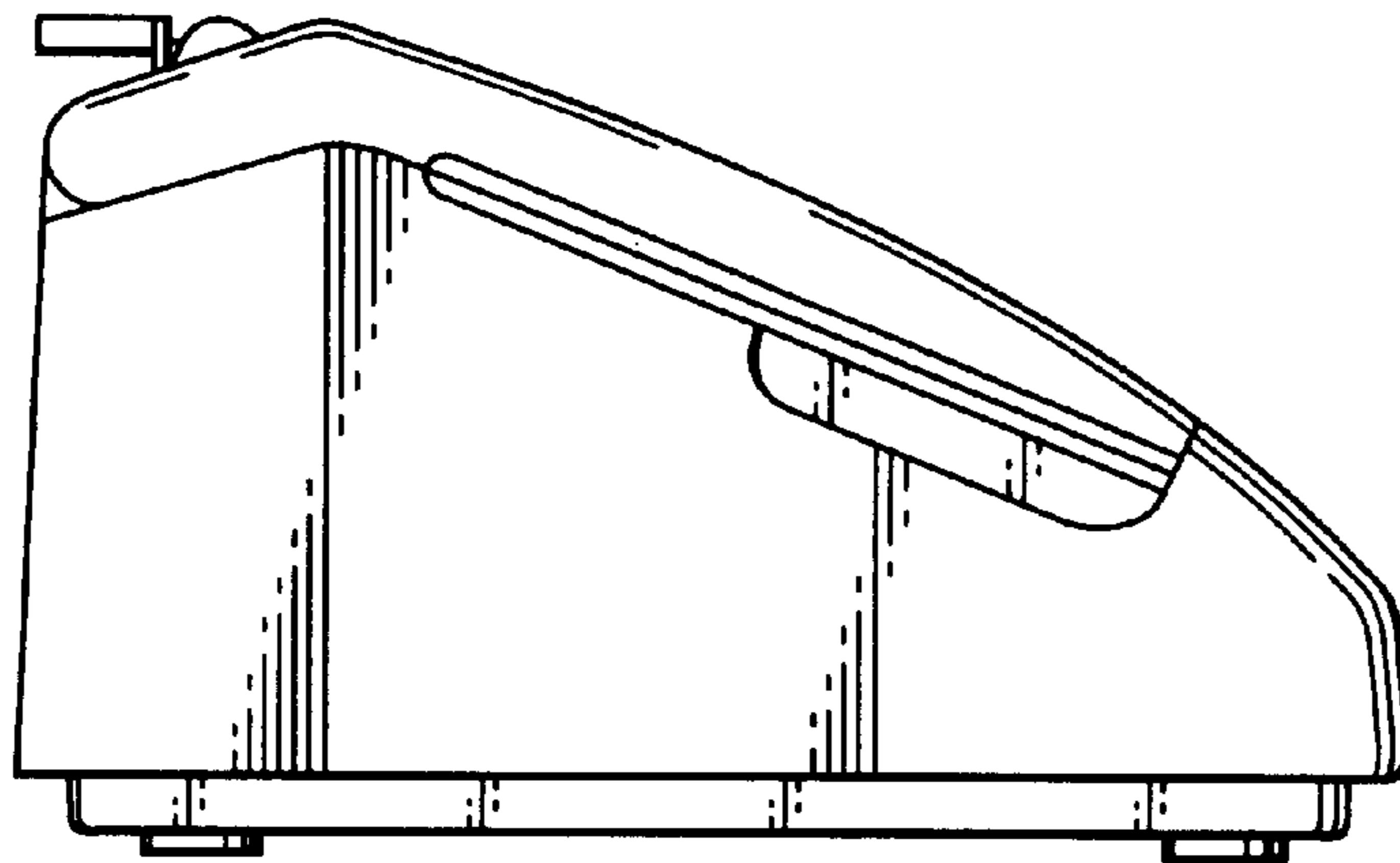


Fig. 6

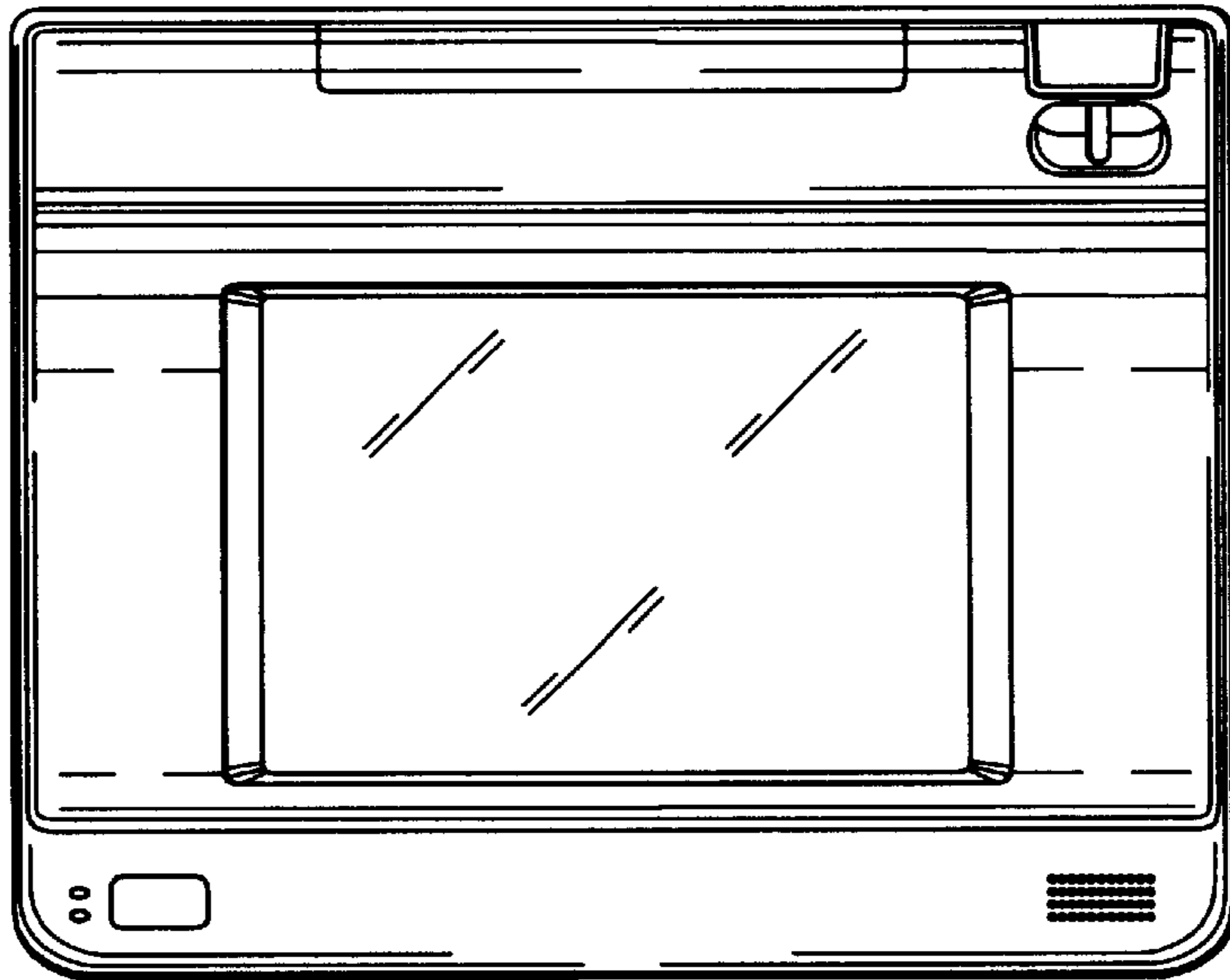


Fig. 7

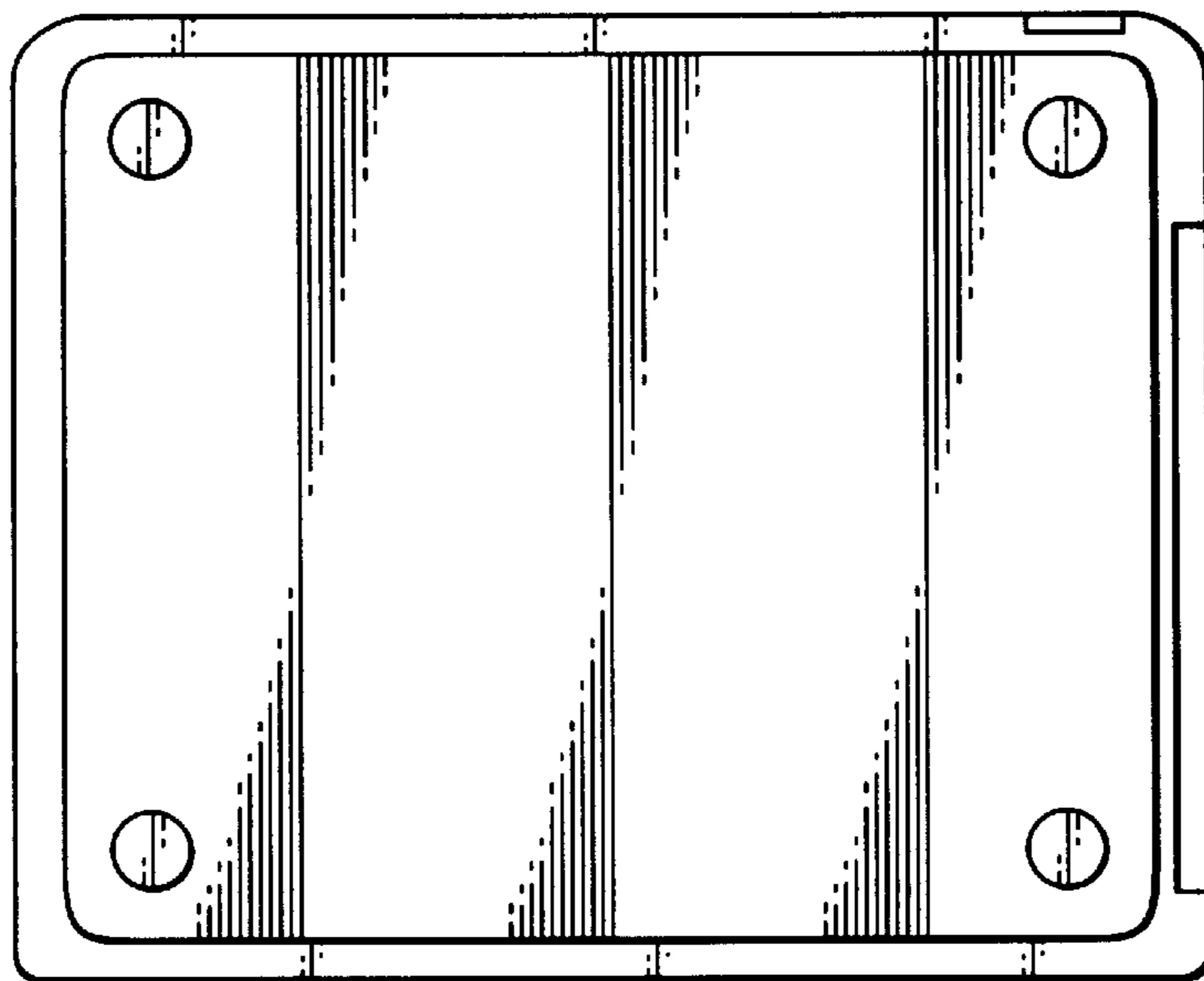


Fig. 8

