



US00D446305S

(12) **United States Design Patent**
Buchanan et al.

(10) **Patent No.:** **US D446,305 S**

(45) **Date of Patent:** **** Aug. 7, 2001**

(54) **THERAPEUTIC BETWEEN-THE-LEGS
SUPPORT PILLOW ASSEMBLY**

(76) Inventors: **Richard Lawrence Buchanan**, 1430
Huronario Street, Mississauga, Ontario
(CA), L5G 3H4; **Luigi Anthony Daniel
Berlusconi**, 5276 Lismic Boulevard,
Mississauga, Ontario (CA), L5V 1P2

(**) Term: **14 Years**

(21) Appl. No.: **29/113,746**

(22) Filed: **Nov. 10, 1999**

(30) **Foreign Application Priority Data**

May 13, 1999 (CA) 272161

(51) **LOC (7) Cl.** **24-04**

(52) **U.S. Cl.** **D24/183**

(58) **Field of Search** D24/183; 5/630,
5/648, 652, 657; 128/882, 892

(56) **References Cited**

U.S. PATENT DOCUMENTS

D. 366,801	*	2/1996	Gray	D6/601
4,177,806	*	12/1979	Griffin	128/892
4,392,489	*	7/1983	Wagner, Sr.	602/24
4,805,605	*	2/1989	Glassman	602/24
5,216,771	*	6/1993	Hoff	5/648
5,664,271	*	9/1997	Bellavance	5/632
6,032,669	*	3/2000	Klein	128/845

* cited by examiner

Primary Examiner—Stella Reid

(74) *Attorney, Agent, or Firm*—Dinsmore & Shohl LLP

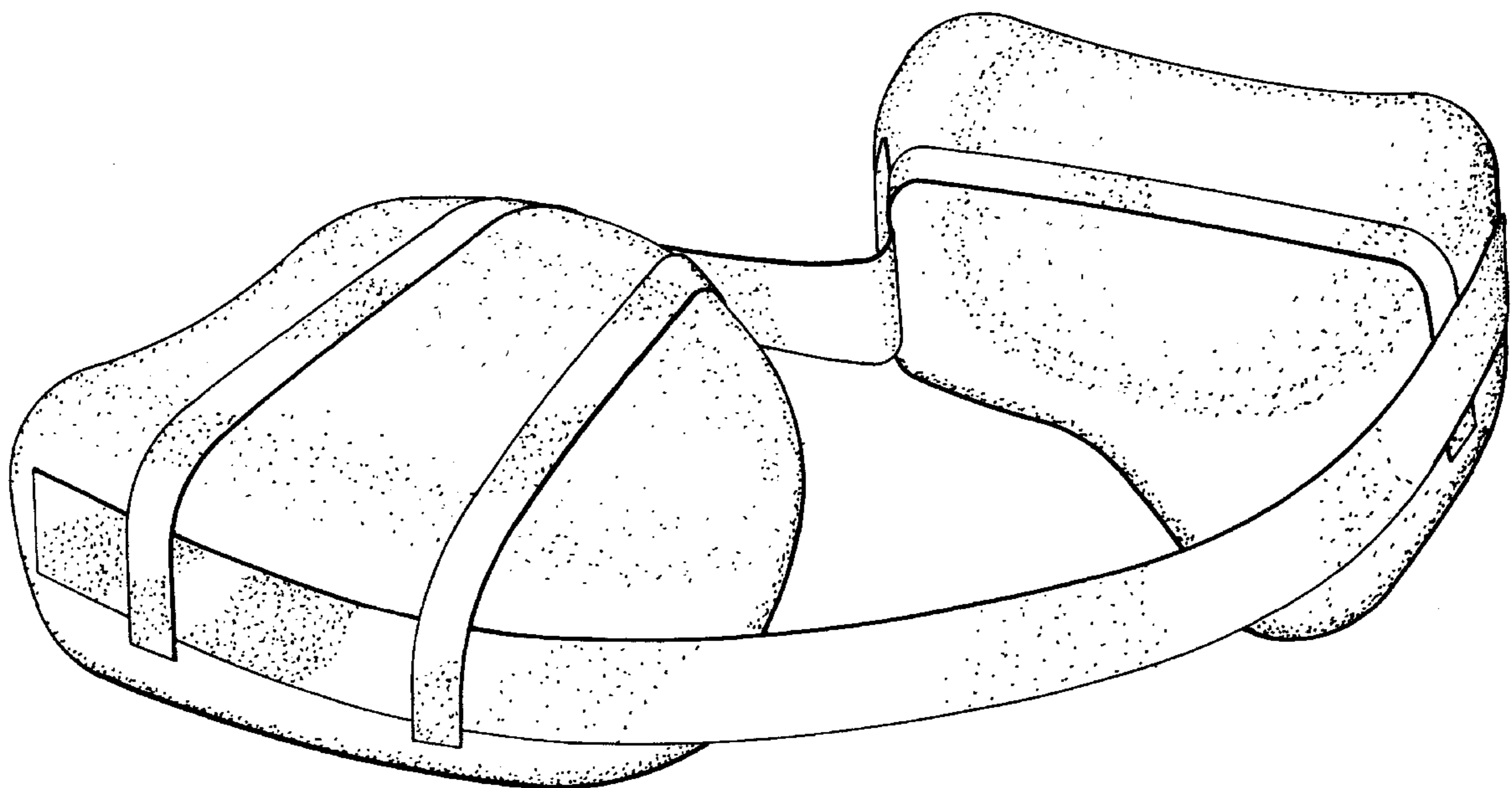
(57) **CLAIM**

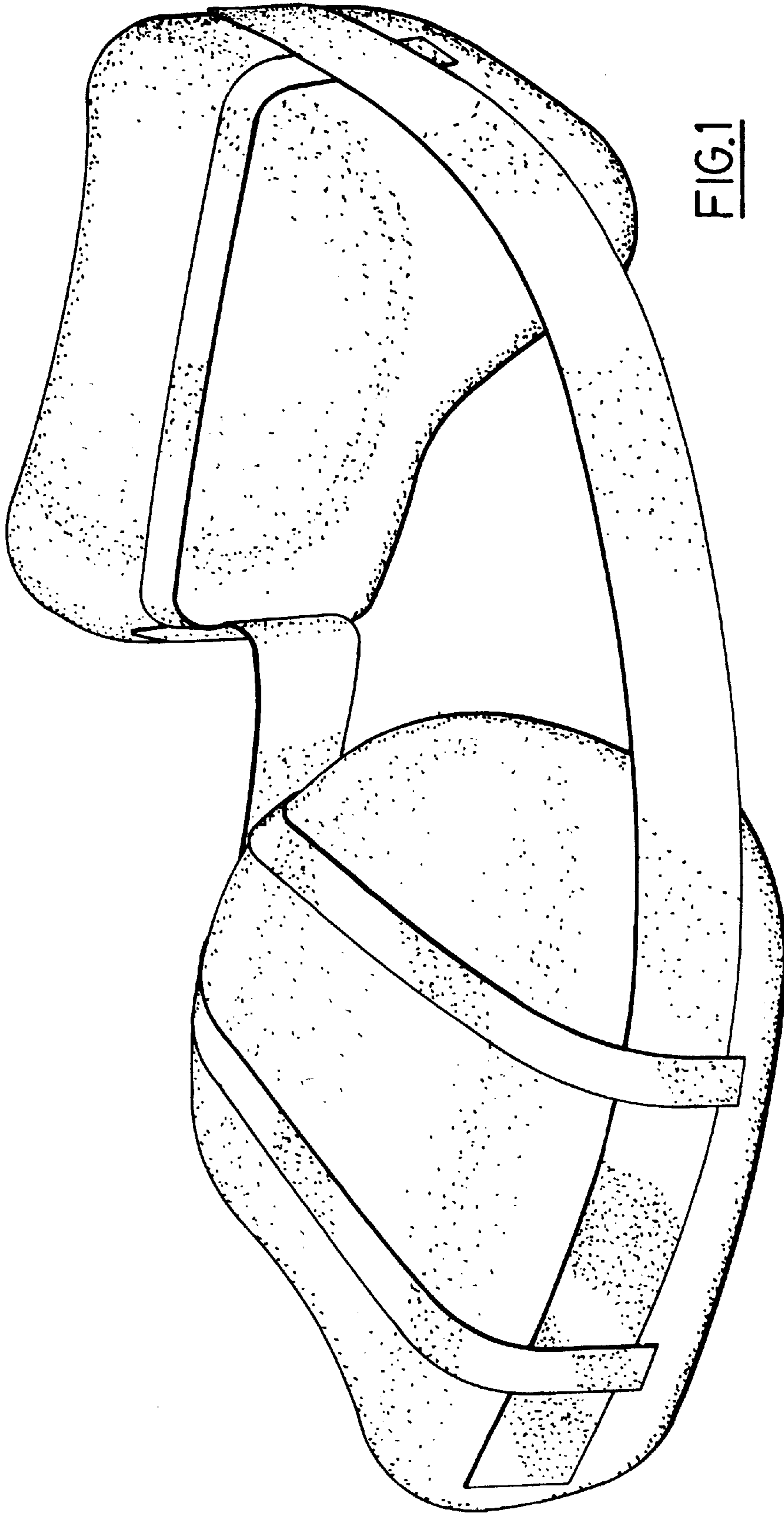
We claim the ornamental design for a therapeutic between-the-legs support pillow assembly, as shown and described herein.

DESCRIPTION

FIG. 1 is a front perspective view of the therapeutic between-the-legs support pillow assembly;
 FIG. 2 is a front elevational view of the therapeutic between-the-legs support pillow assembly of FIG. 1;
 FIG. 3 is a rear elevational view of the therapeutic between-the-legs support pillow assembly of FIG. 1;
 FIG. 4 is a right side elevational view of the therapeutic between-the-legs support pillow assembly of FIG. 1;
 FIG. 5 is a left side elevational view of the therapeutic between-the-legs support pillow assembly of FIG. 1;
 FIG. 6 is a top plan view of the therapeutic between-the-legs support pillow assembly of FIG. 1;
 FIG. 7 is a bottom plan view of the therapeutic between-the-legs support pillow assembly of FIG. 1;
 FIG. 8 is a sectional view of the therapeutic between-the-legs support pillow assembly taken along line 8—8 in FIG. 4;
 FIG. 9 is a sectional view of the therapeutic between-the-legs support pillow assembly taken along line 9—9 in FIG. 4; and,
 FIG. 10 is an exploded front perspective view of the therapeutic between-the-legs support pillow assembly of FIG. 1.

1 Claim, 8 Drawing Sheets





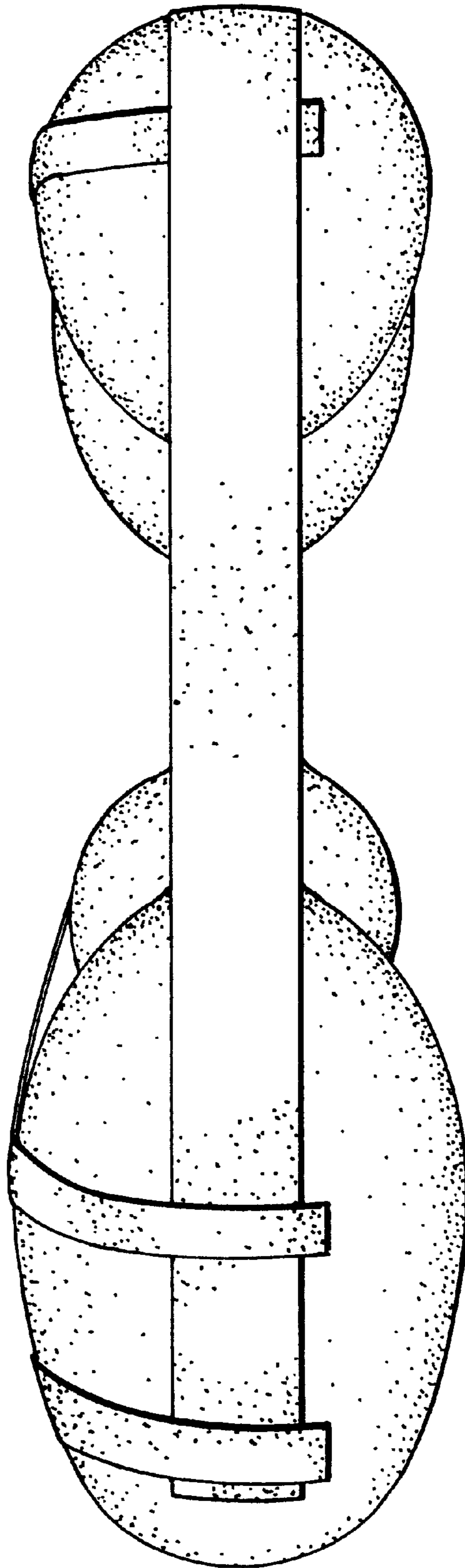


FIG. 2

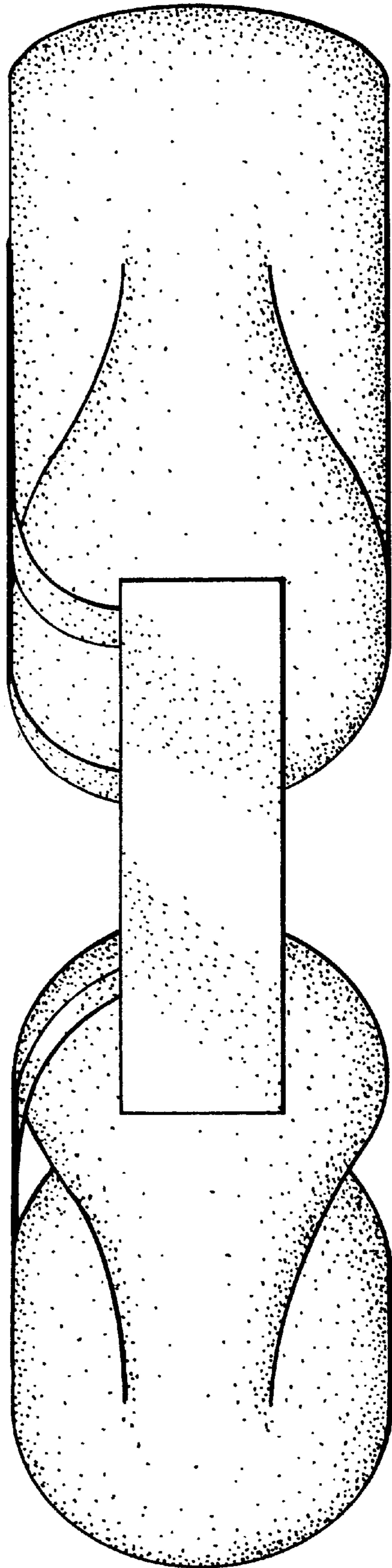
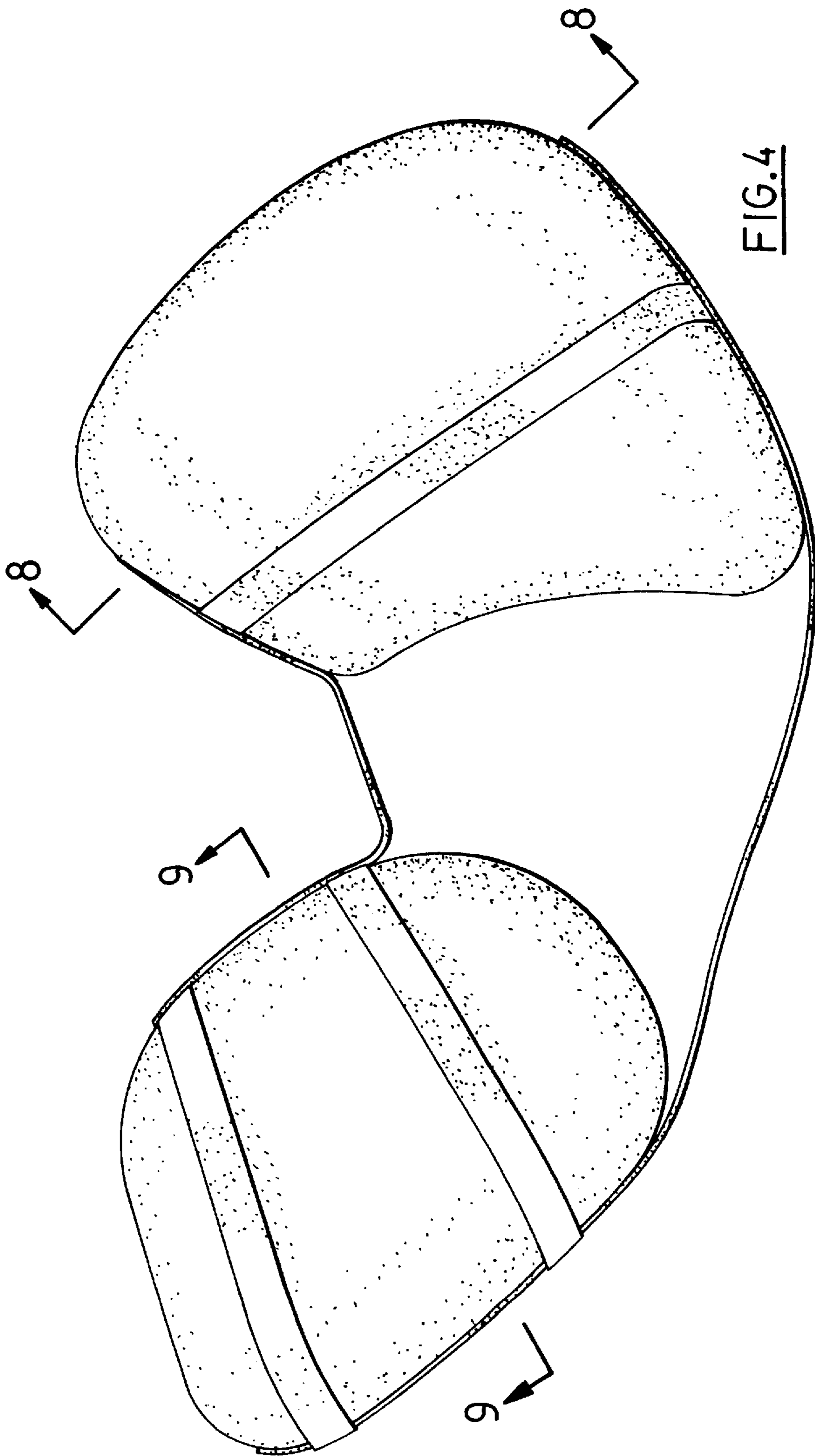


FIG. 3



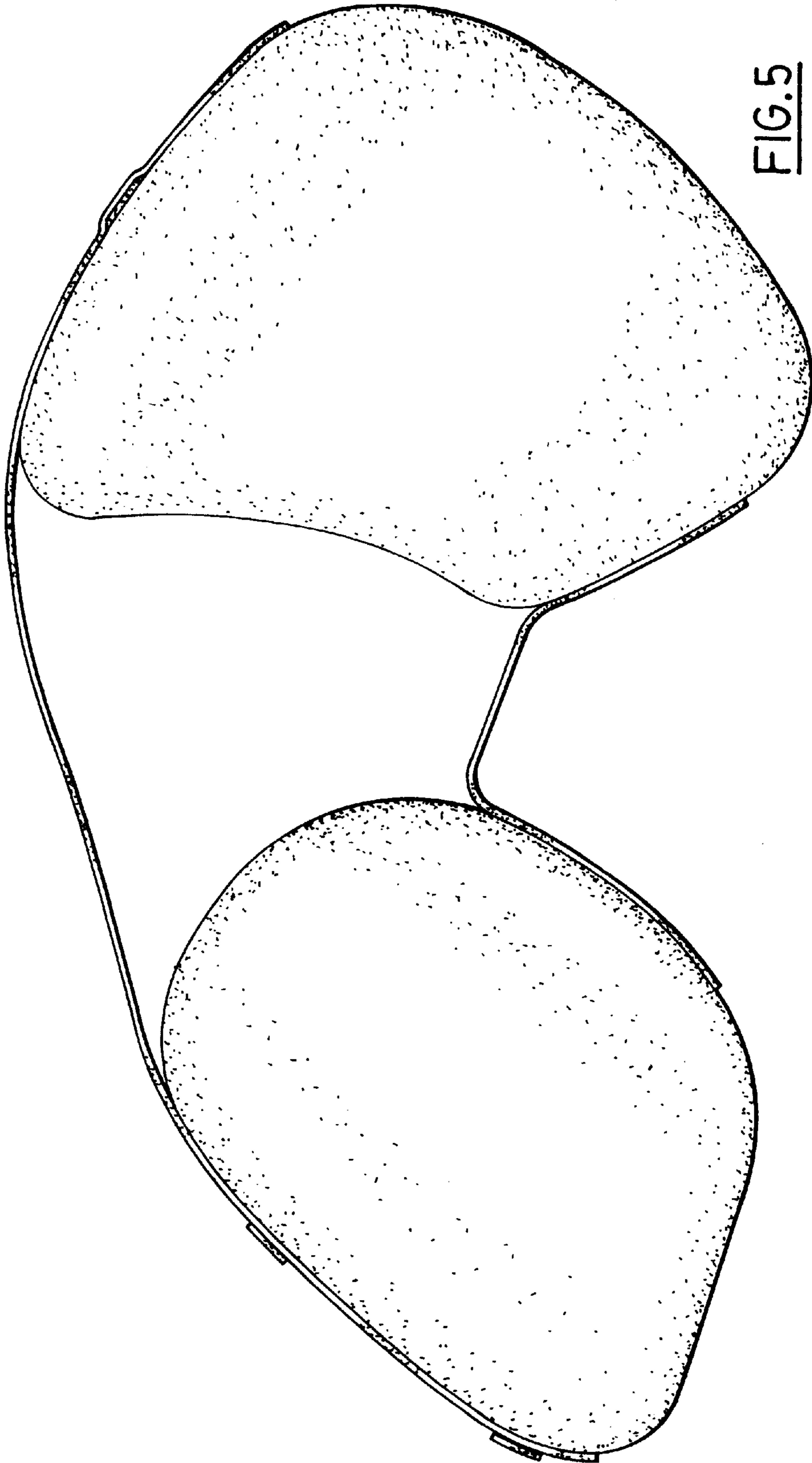


FIG. 5

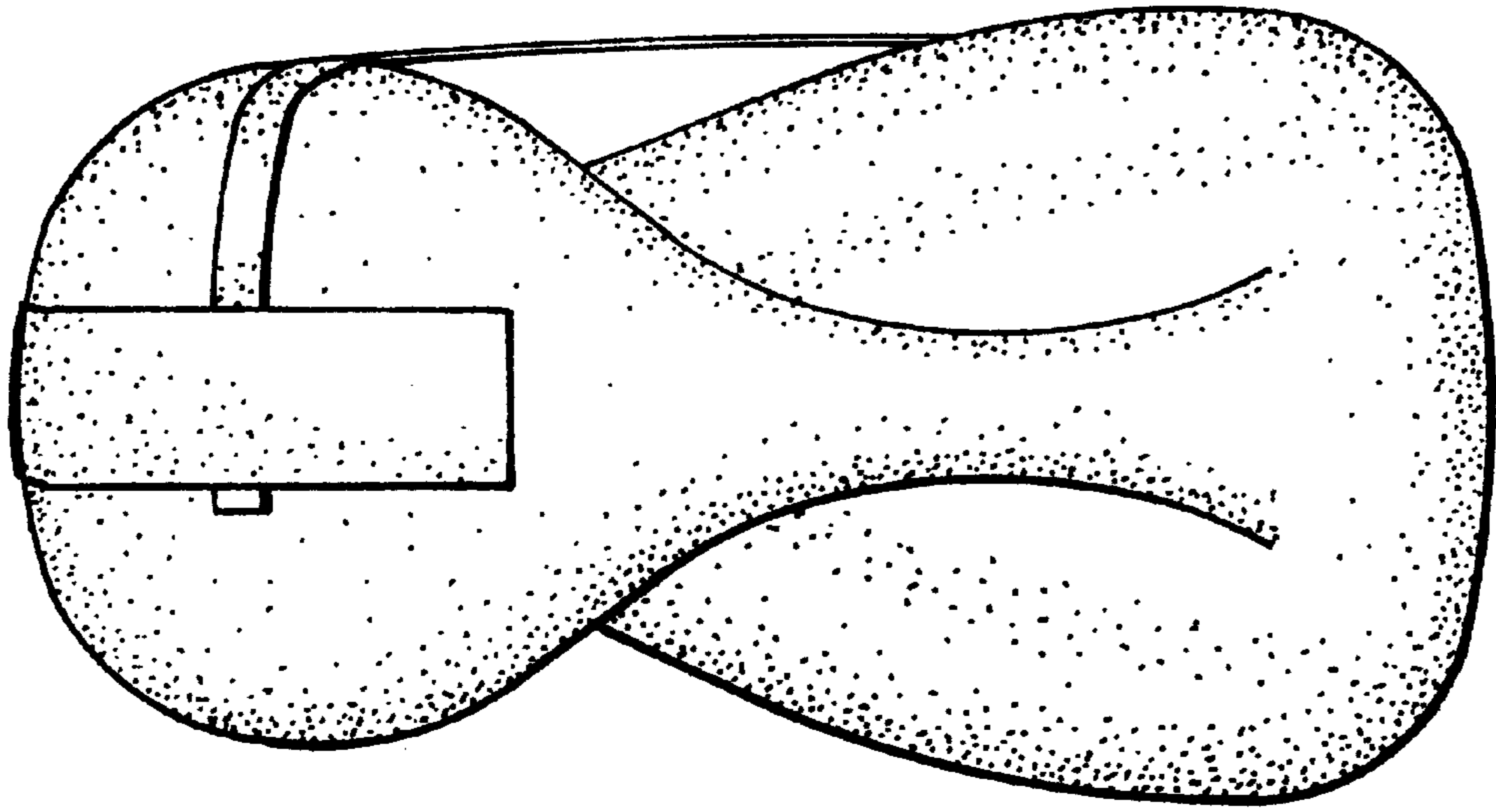


FIG. 6

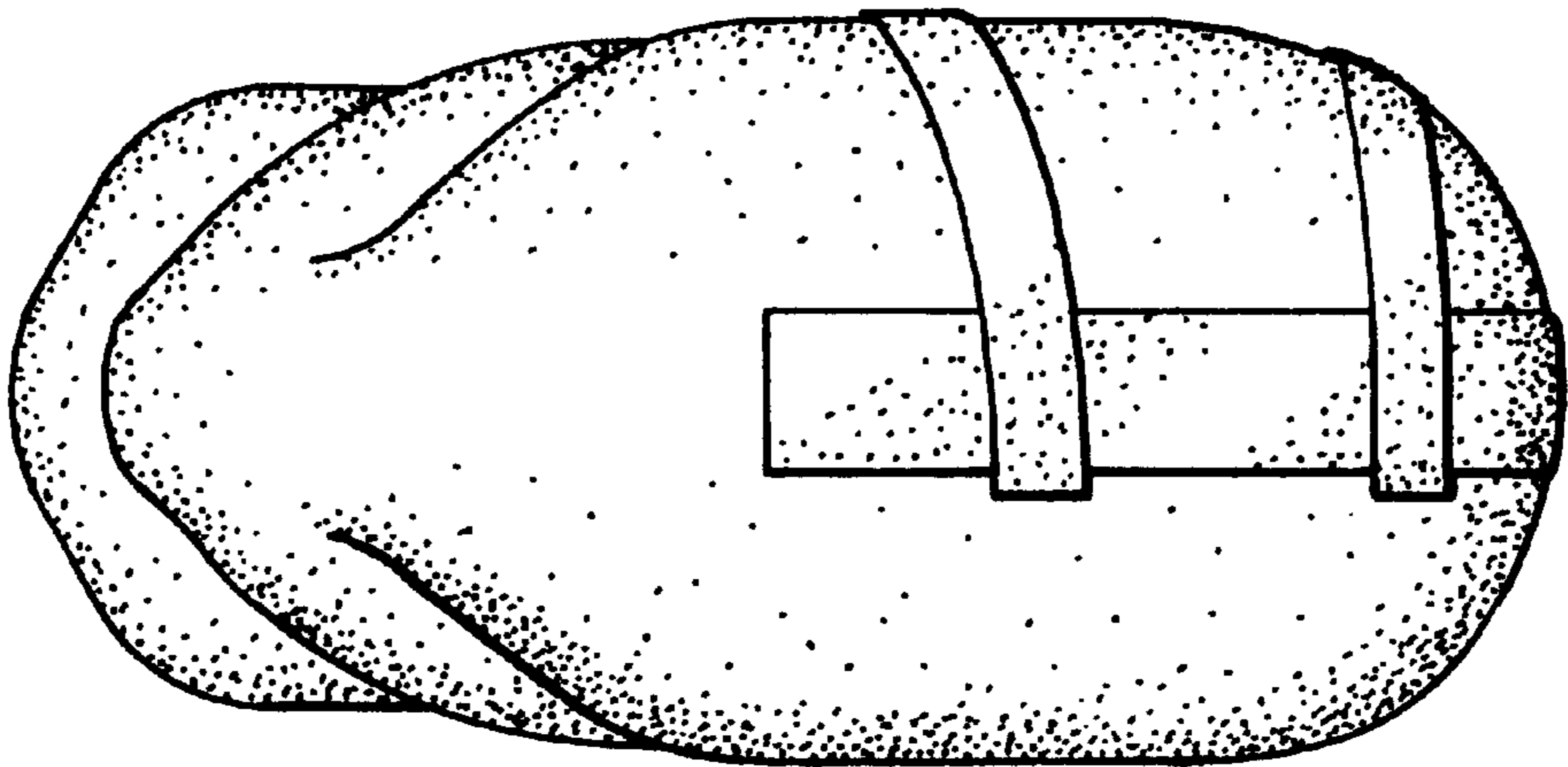


FIG. 7

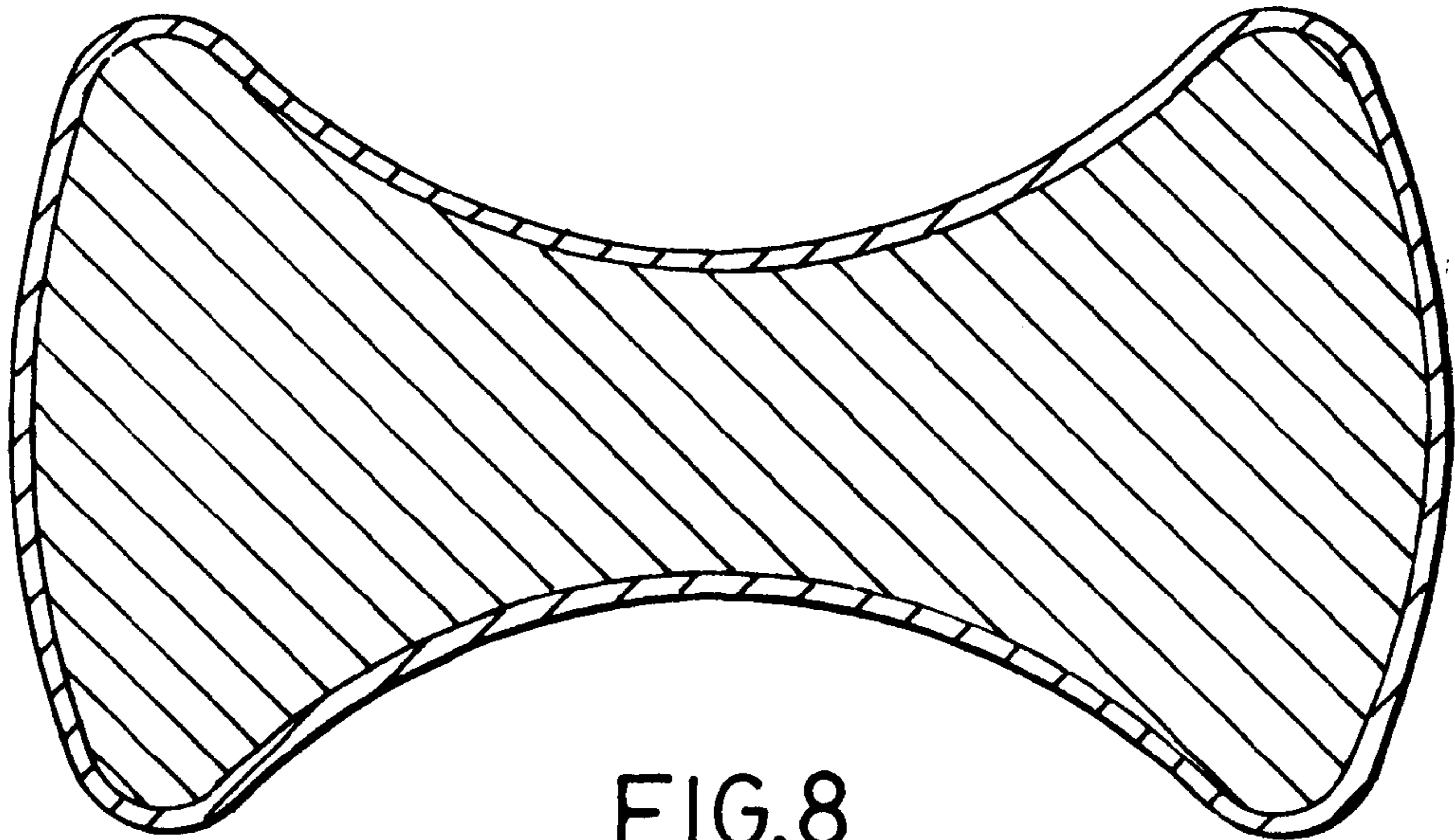


FIG. 8

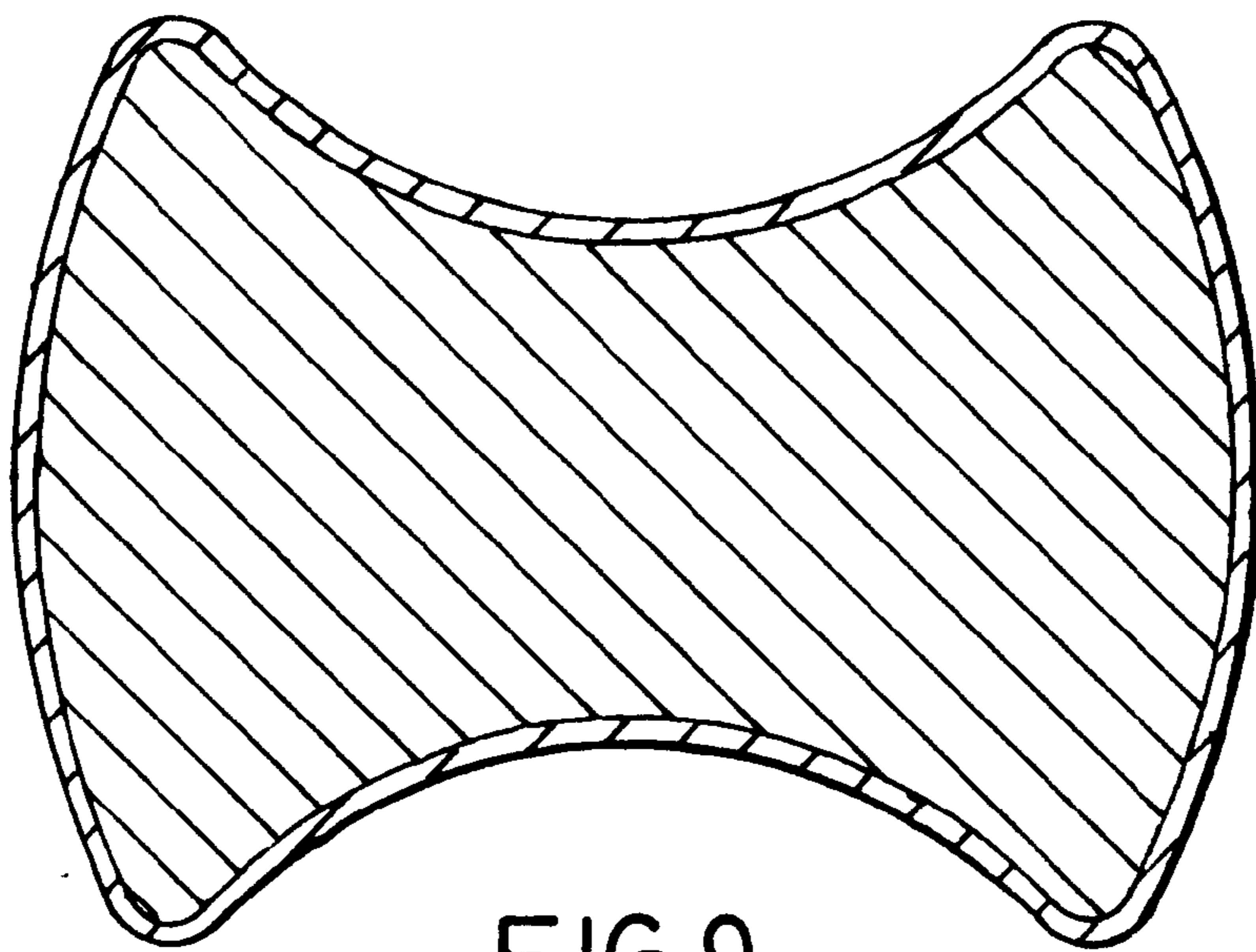


FIG. 9

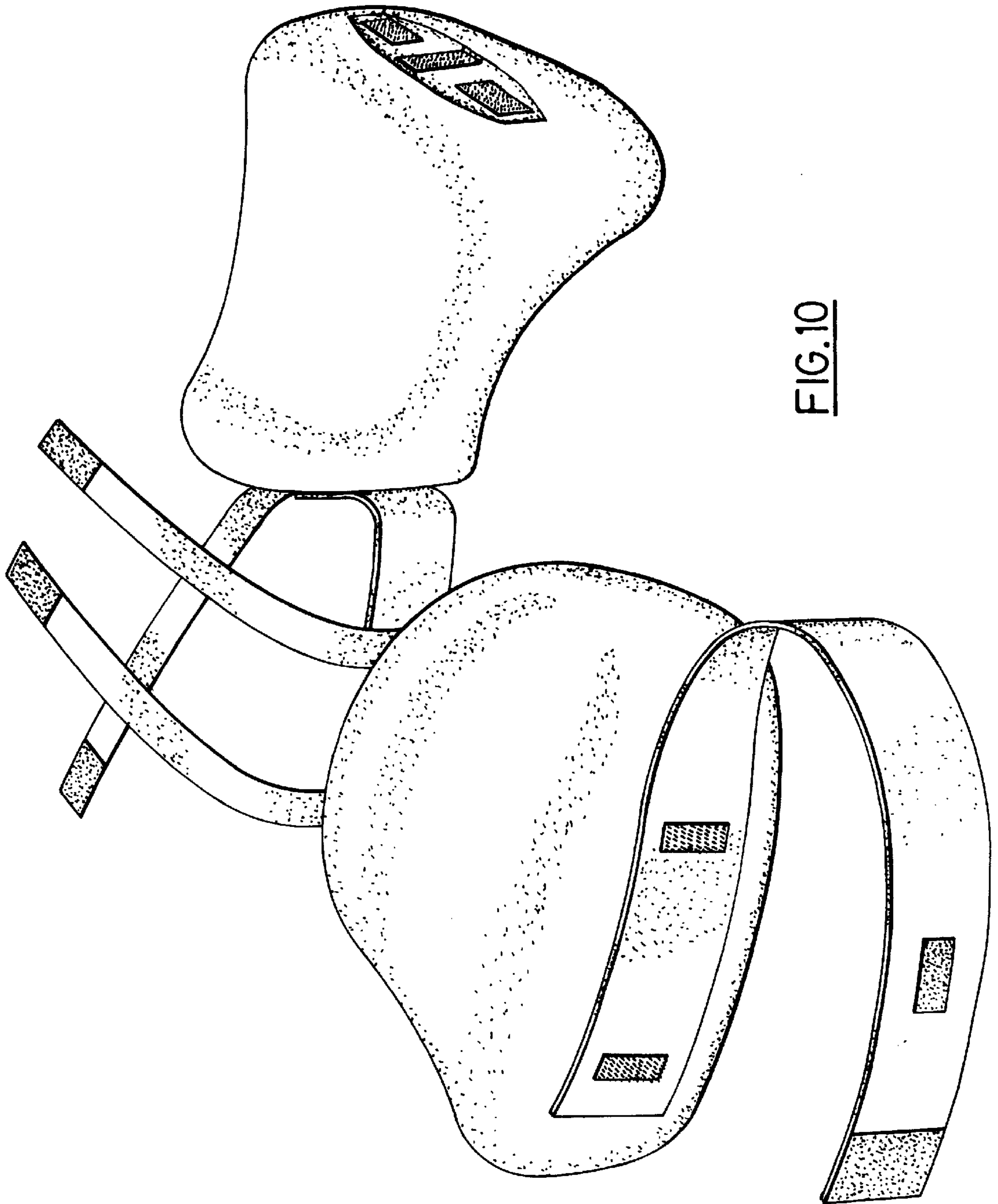


FIG. 10