



US00D446304S

(12) **United States Design Patent**
Sawatzki et al.

(10) **Patent No.:** **US D446,304 S**

(45) **Date of Patent:** **** Aug. 7, 2001**

(54) **KNEE JOINT PROSTHESIS**

5,728,173 * 3/1998 Chen 623/39

5,746,774 5/1998 Kramer et al. .

5,899,943 5/1999 Shiraishi et al. .

(75) Inventors: **Steffen Sawatzki**, Sollstedt; **Helmut Wagner**, Duderstadt, both of (DE)

OTHER PUBLICATIONS

(73) Assignee: **Otto Bock Orthopaedische Industrie Besitz- und Verwaltungs-Kommanditgesellschaft**, Duderstadt (DE)

U.S. Design application No. 29/094,153 filed Sep. 25, 1998 "Knee Joint".

* cited by examiner

(**) Term: **14 Years**

Primary Examiner—Antoine Duval Davis

(21) Appl. No.: **29/131,035**

(74) *Attorney, Agent, or Firm*—Husch & Eppenberger, LLC; Robert E. Muir; Richard J. Musgrave

(22) Filed: **Oct. 12, 2000**

(57) **CLAIM**

(30) **Foreign Application Priority Data**

The ornamental design for a knee joint prosthesis, substantially as shown and described.

Apr. 29, 2000 (DE) 400 04 260

DESCRIPTION

(51) **LOC (7) Cl.** **24-03**

FIG. 1 is a perspective view of a knee joint prosthesis showing our new design as seen from the top front;

(52) **U.S. Cl.** **D24/155**

FIG. 2 is a perspective view thereof as seen from the top rear;

(58) **Field of Search** D24/155; 623/16-45

FIG. 3 is a left side elevational view thereof;

(56) **References Cited**

U.S. PATENT DOCUMENTS

- D. 383,542 9/1997 Wellershaus et al. .
- D. 402,368 12/1998 Holzapfel .
- D. 439,339 * 3/2001 Sawatzki D24/155
- 4,145,766 3/1979 May .
- 4,911,709 3/1990 Marlow et al. .
- 5,545,232 8/1996 Van de Veen .
- 5,728,172 3/1998 Krieger .

FIG. 4 is a right side elevational view thereof;

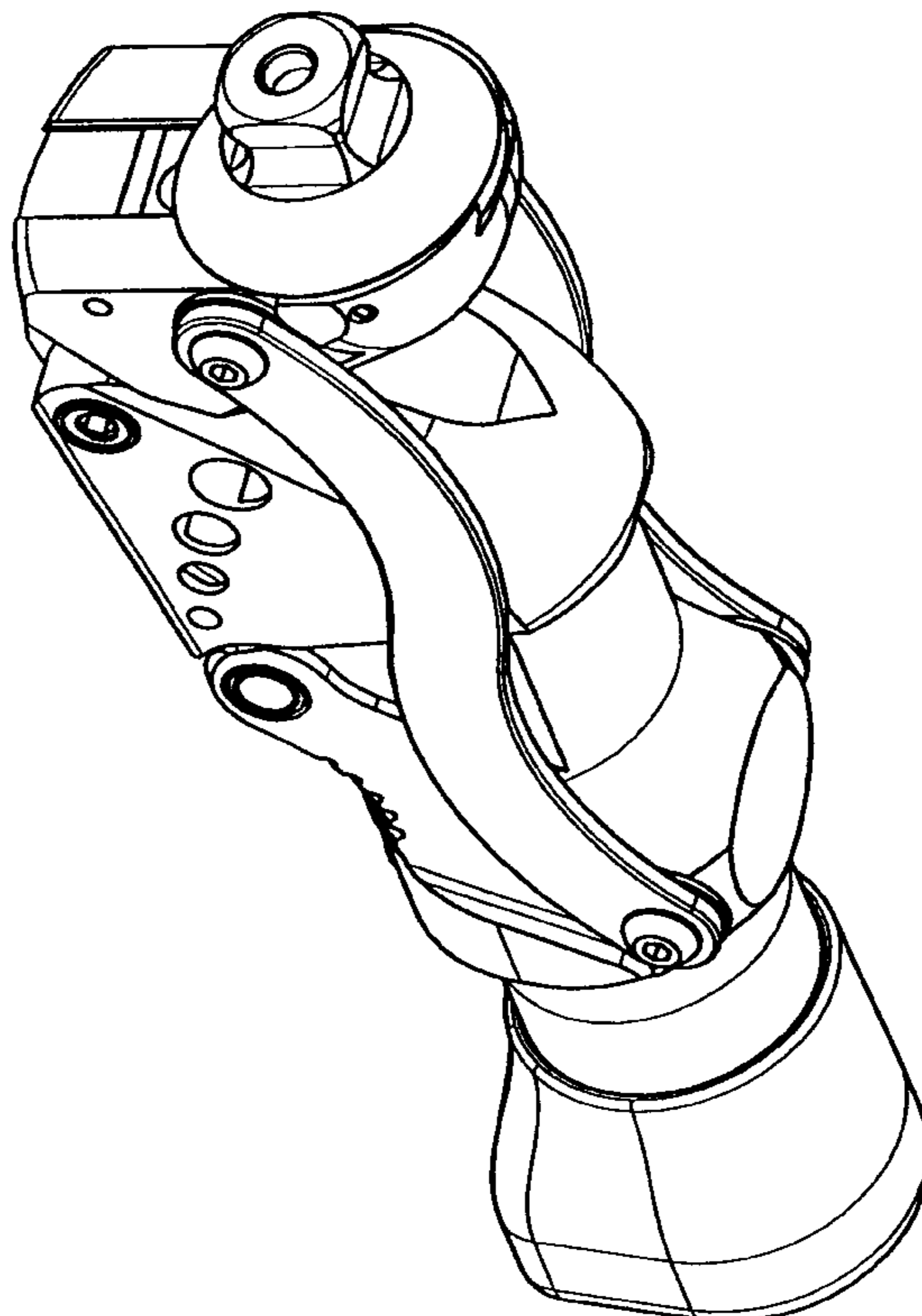
FIG. 5 is a front view thereof;

FIG. 6 is a rear view thereof;

FIG. 7 is a top plan view thereof; and,

FIG. 8 is a bottom plan view thereof.

1 Claim, 7 Drawing Sheets



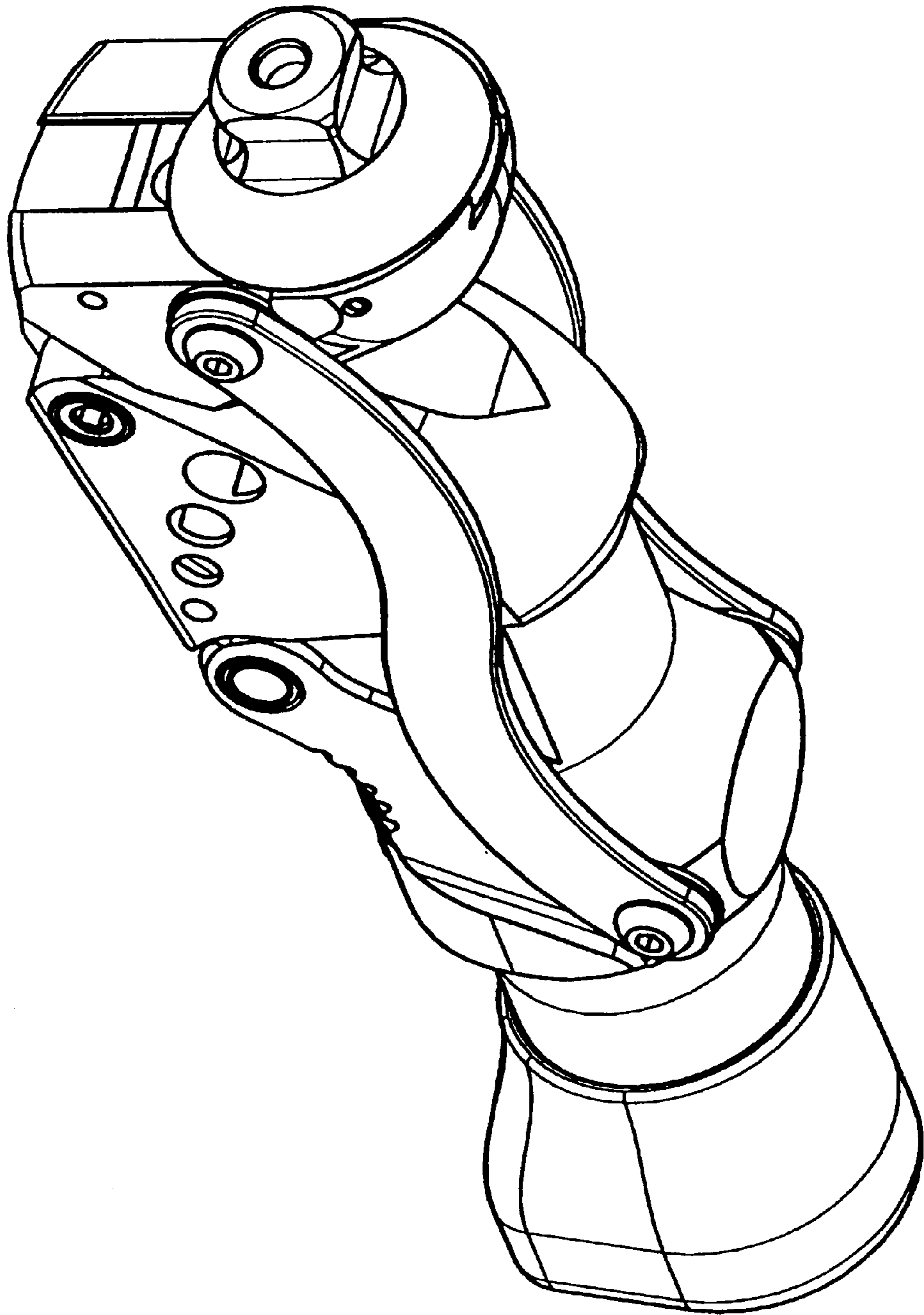


Fig. 1

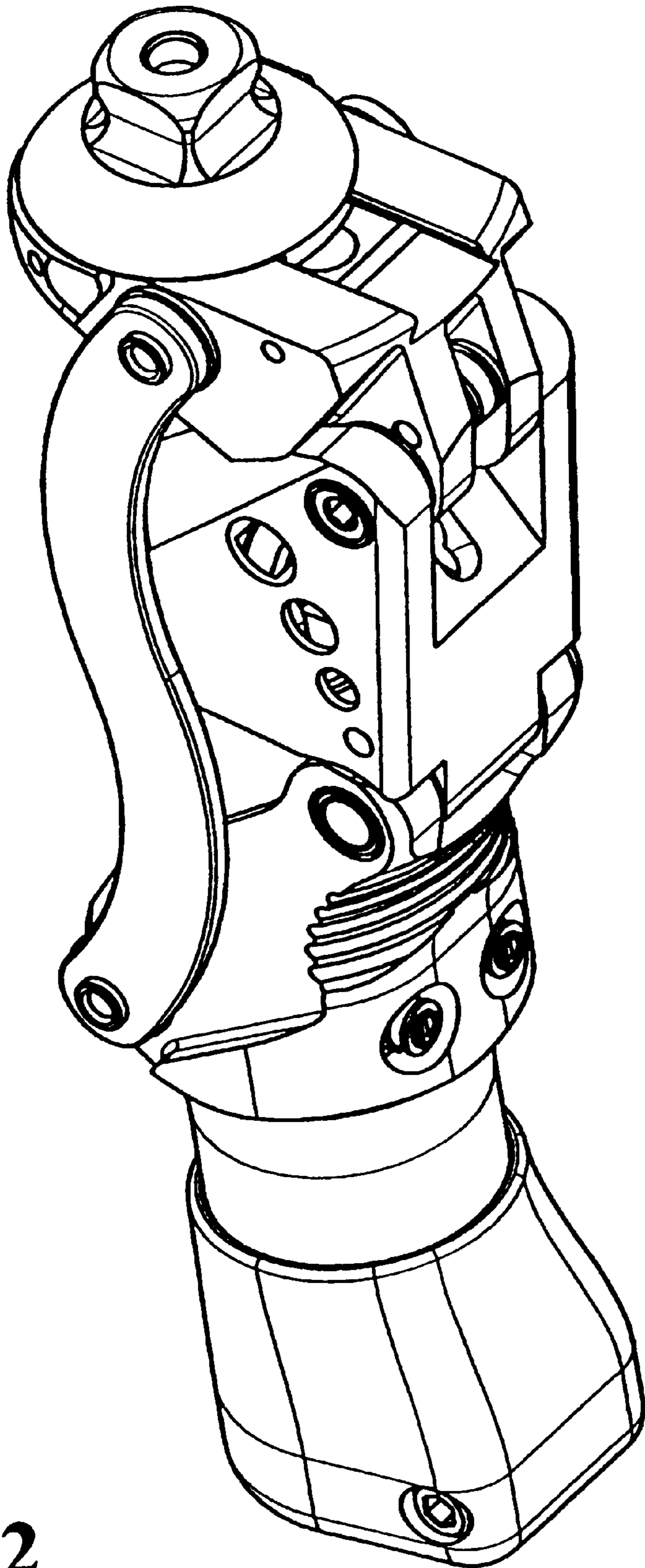


Fig. 2

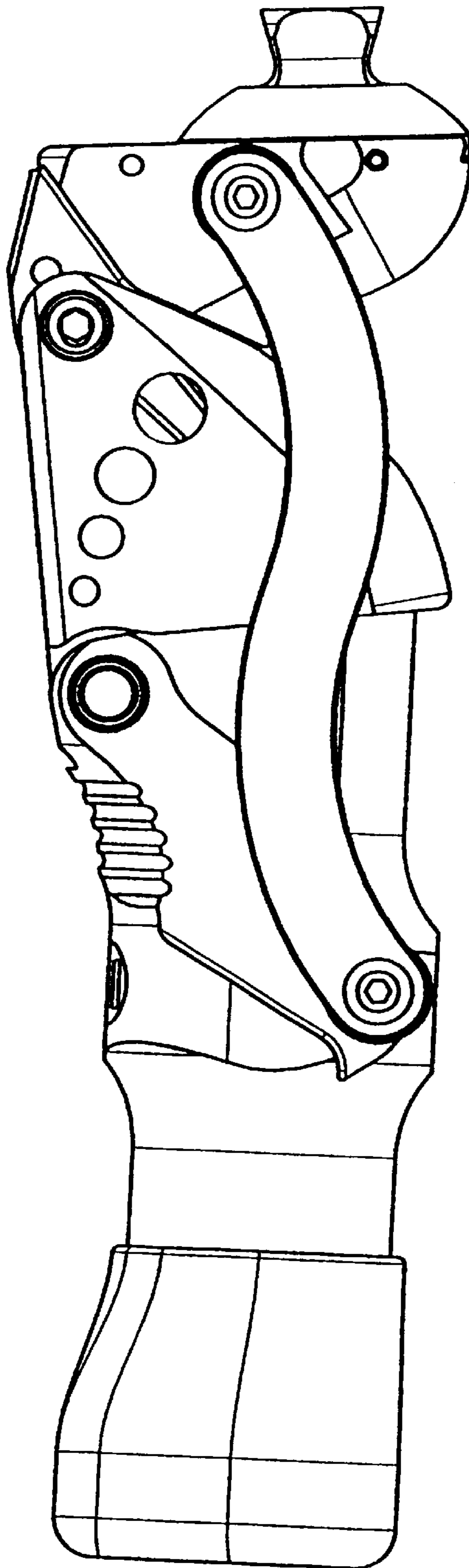


Fig. 3

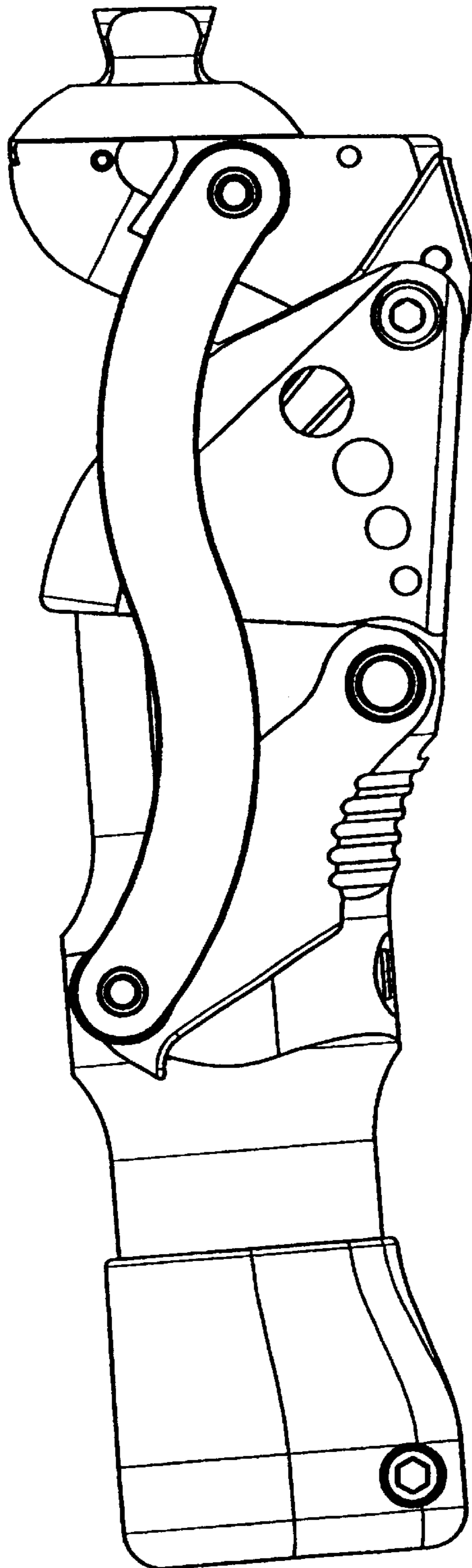


Fig. 4

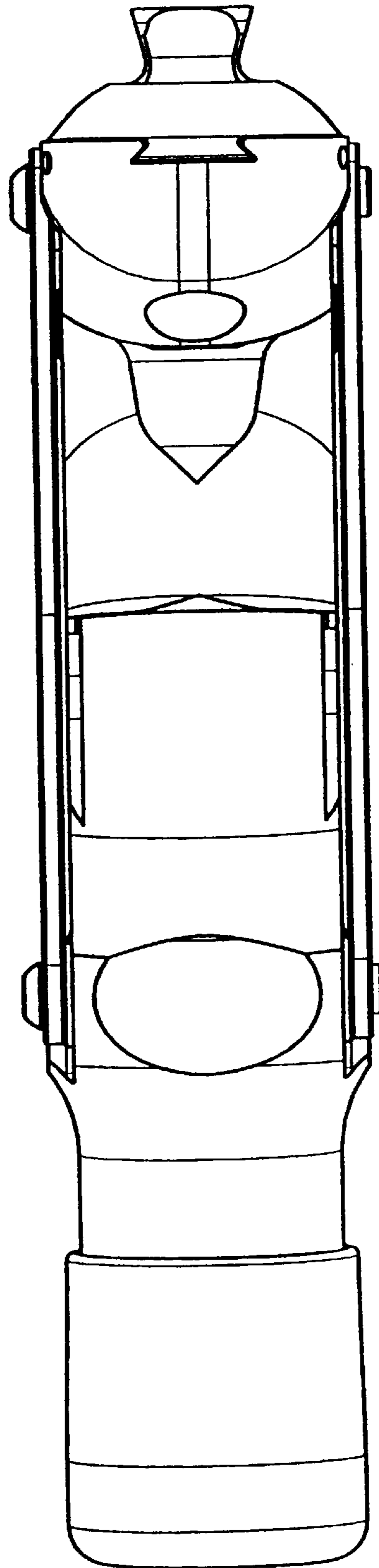


Fig. 5

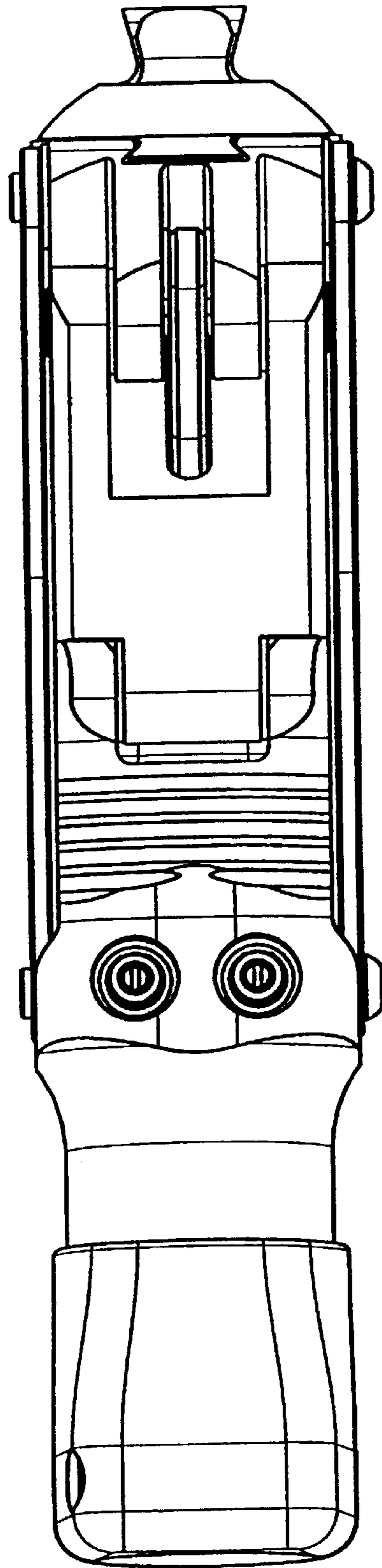


Fig. 6

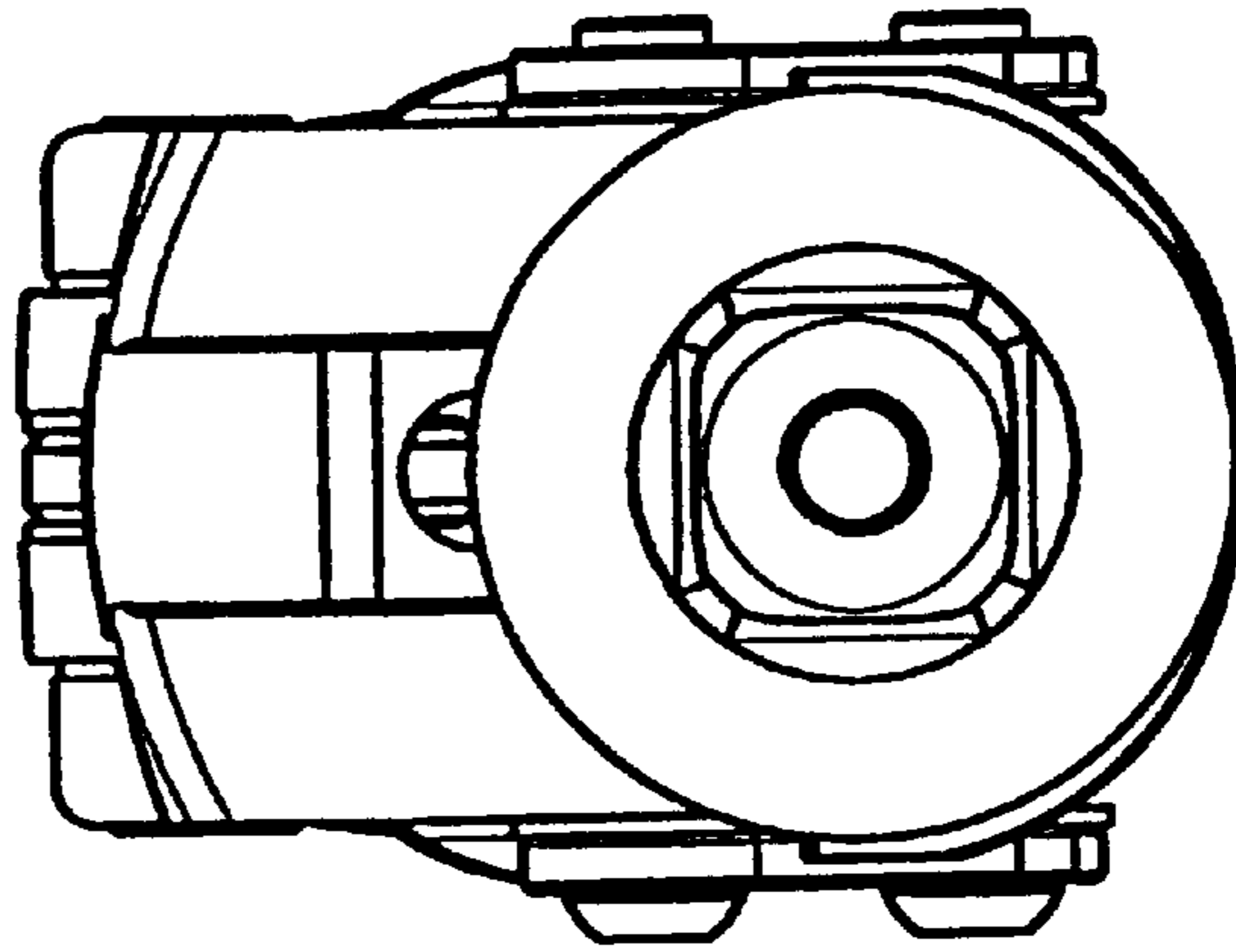


Fig. 7

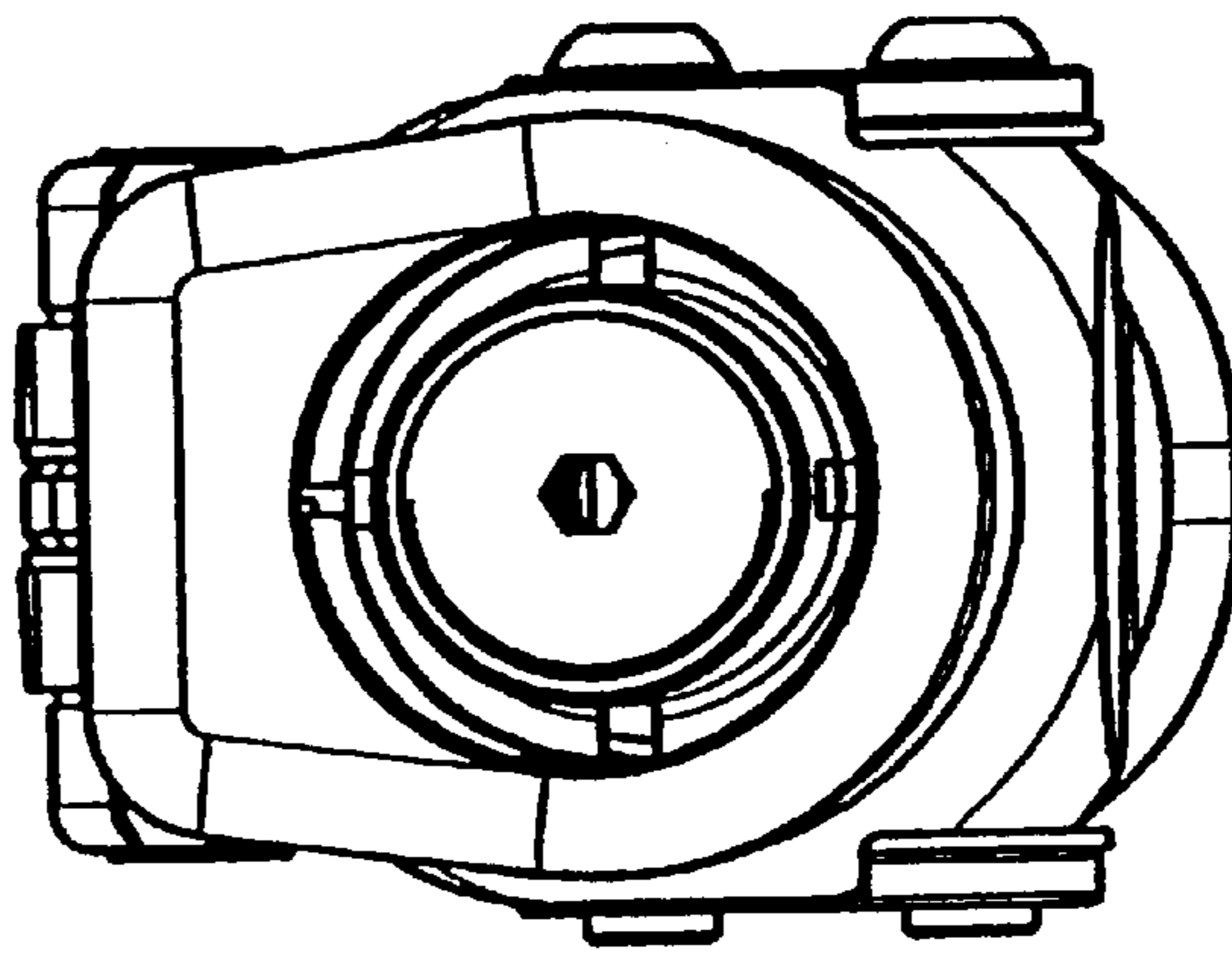


Fig. 8