



US00D446300S

(12) **United States Design Patent**
Kirchner

(10) **Patent No.:** **US D446,300 S**

(45) **Date of Patent:** **** Aug. 7, 2001**

(54) **BREAST PUMP**

(75) Inventor: **Claudia Kirchner**, Markgröningen (DE)

(73) Assignee: **KaWeCo GmbH**, Ditzingen (DE)

(**) Term: **14 Years**

(21) Appl. No.: **29/124,315**

(22) Filed: **Jun. 2, 2000**

(51) **LOC (7) Cl.** **24-02**

(52) **U.S. Cl.** **D24/109**

(58) **Field of Search** D24/109; 604/74, 604/75, 70

(56) **References Cited**

U.S. PATENT DOCUMENTS

- D. 383,536 * 9/1997 Bachman et al. D24/109
- 4,813,932 * 3/1989 Hobbs 604/74
- 5,749,850 * 5/1998 Williams et al. 604/74

* cited by examiner

Primary Examiner—Ian Simmons

(74) *Attorney, Agent, or Firm*—Pauley Petersen Kinne & Fejer

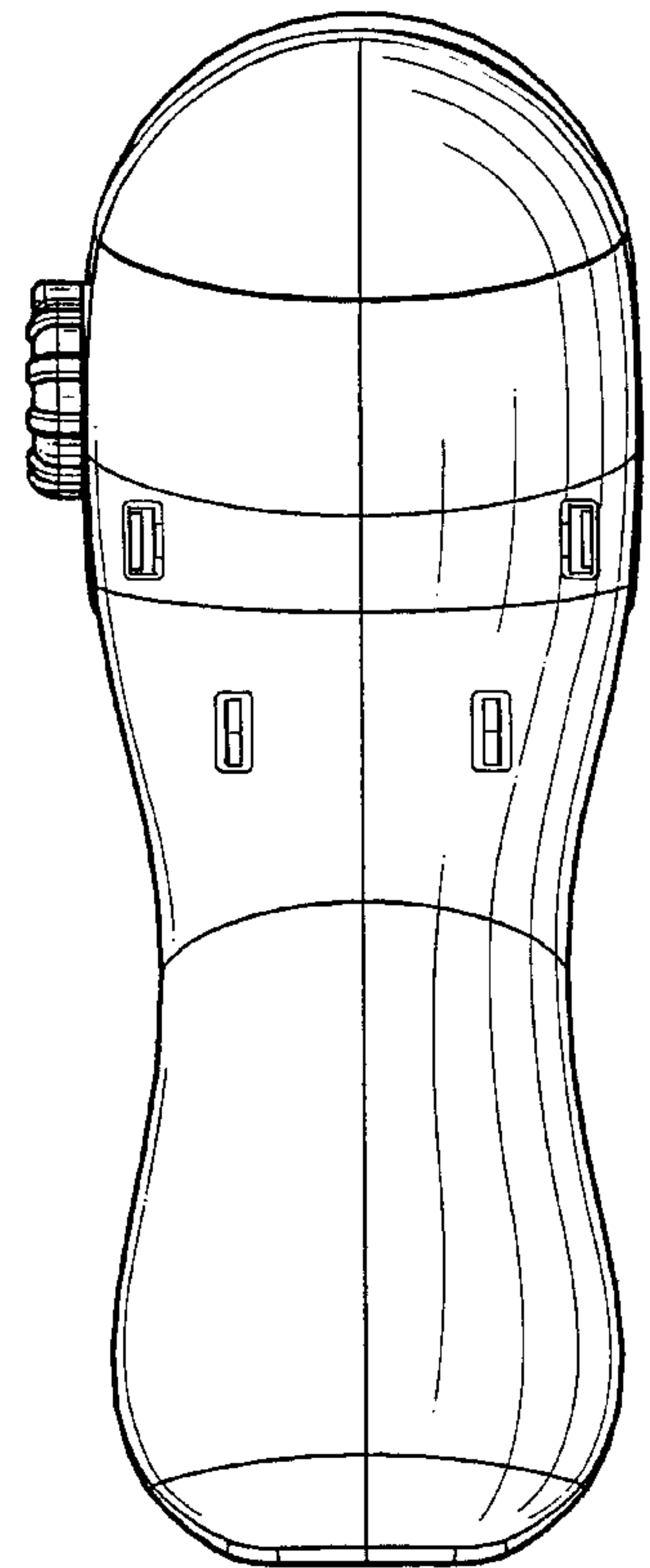
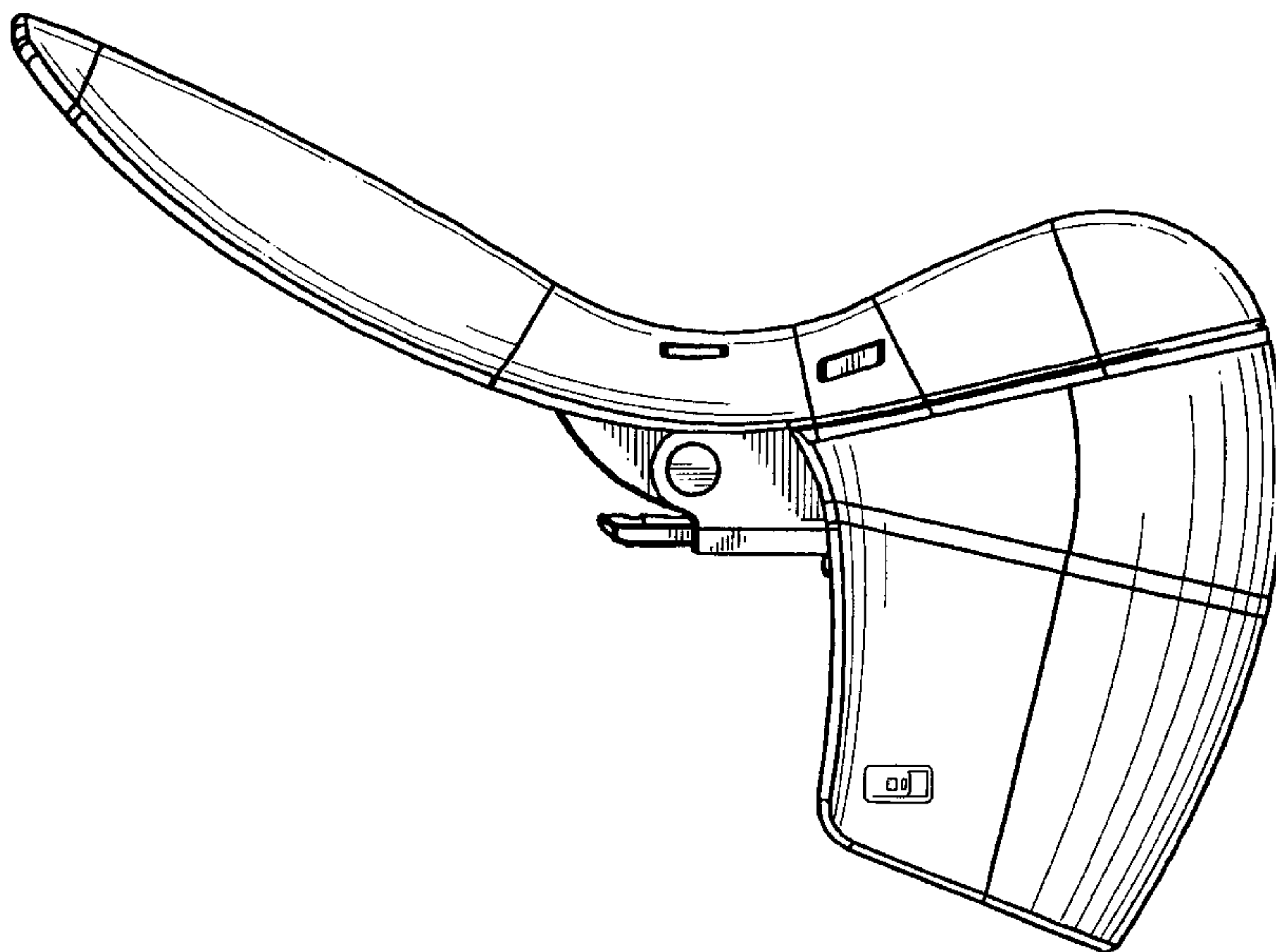
(57) **CLAIM**

The ornamental design for a breast pump, as shown.

DESCRIPTION

FIG. 1 is a bottom view of a breast pump, according to one preferred embodiment of this invention;
 FIG. 2 is a side view of the breast pump as shown in FIG. 1;
 FIG. 3 is a top view of the breast pump as shown in FIG. 1;
 FIG. 4 is a front view of the breast pump as shown in FIG. 1;
 FIG. 5 is a side view, opposite the side view shown in FIG. 2, of the breast pump as shown in FIG. 1; and,
 FIG. 6 is a rear view of the breast pump as shown in FIG. 1.

1 Claim, 6 Drawing Sheets



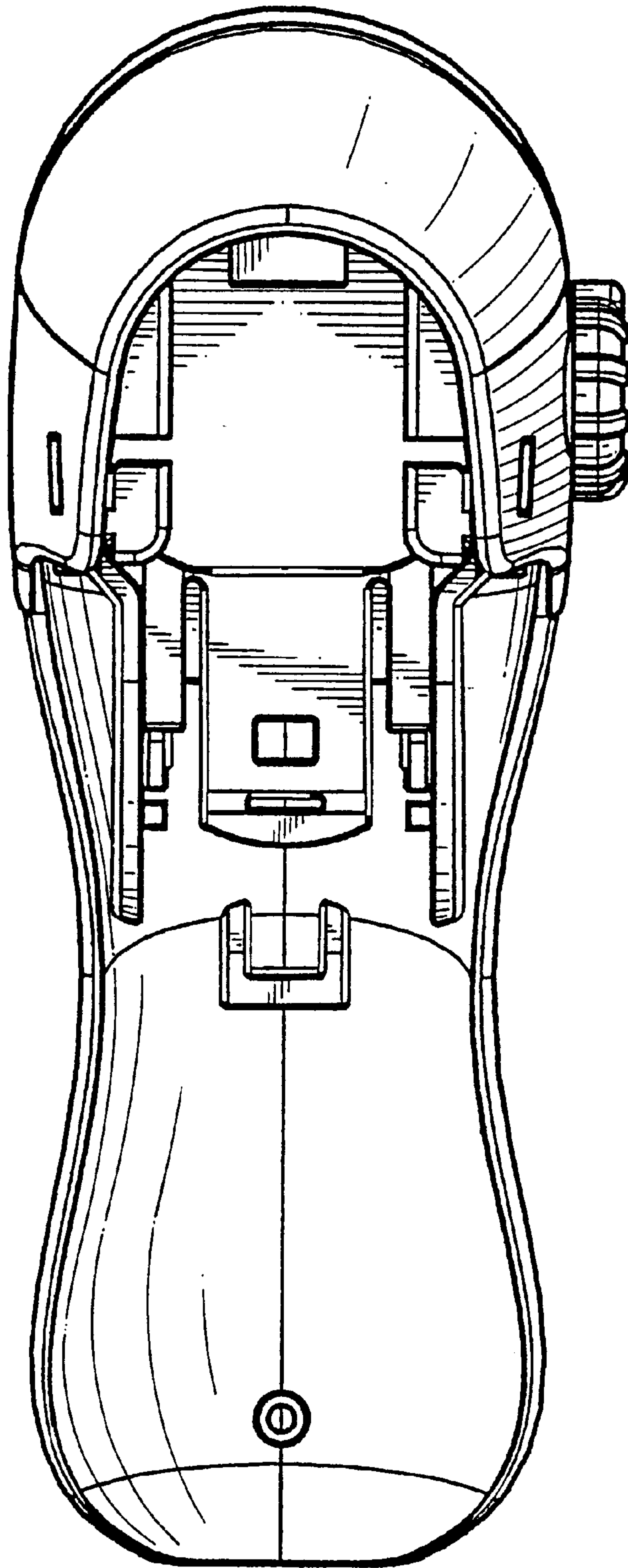


FIG. 1

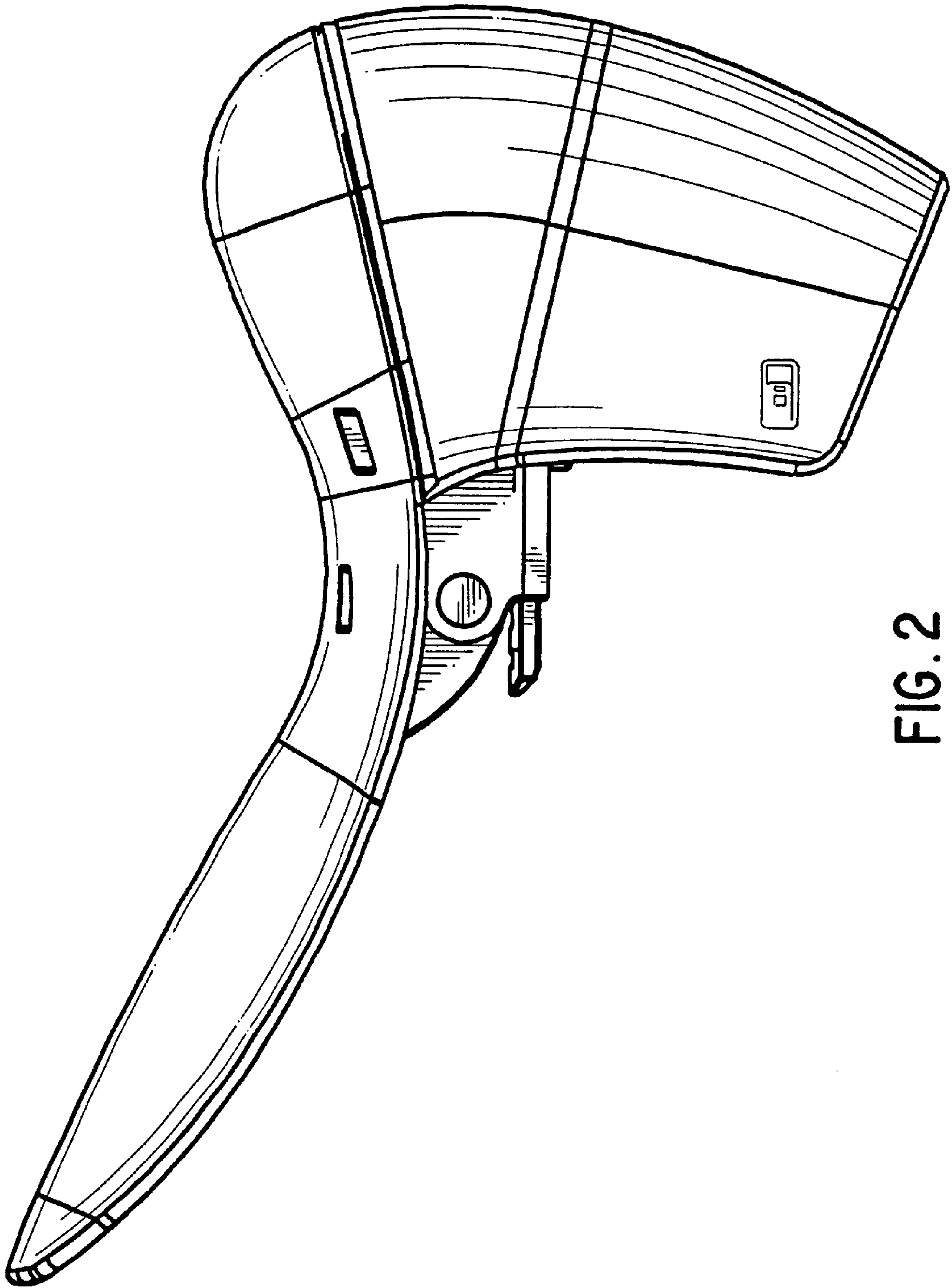


FIG. 2

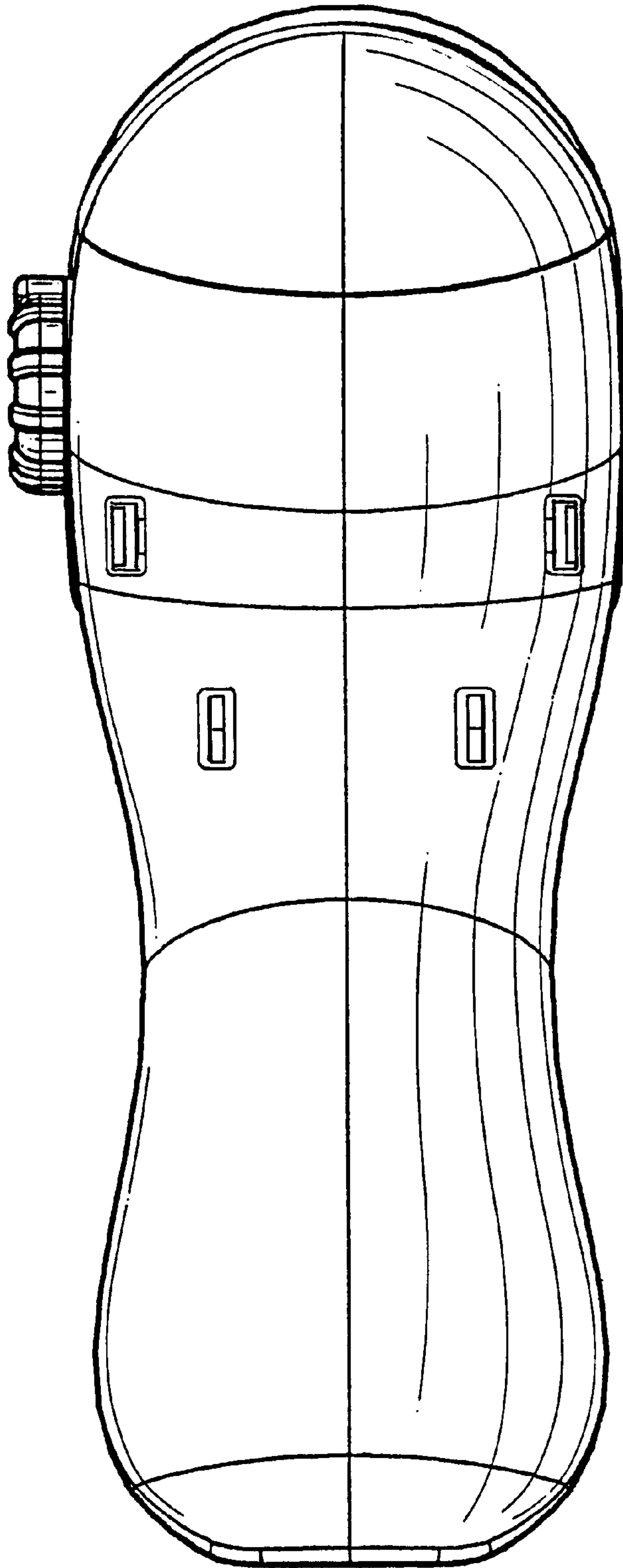


FIG. 3

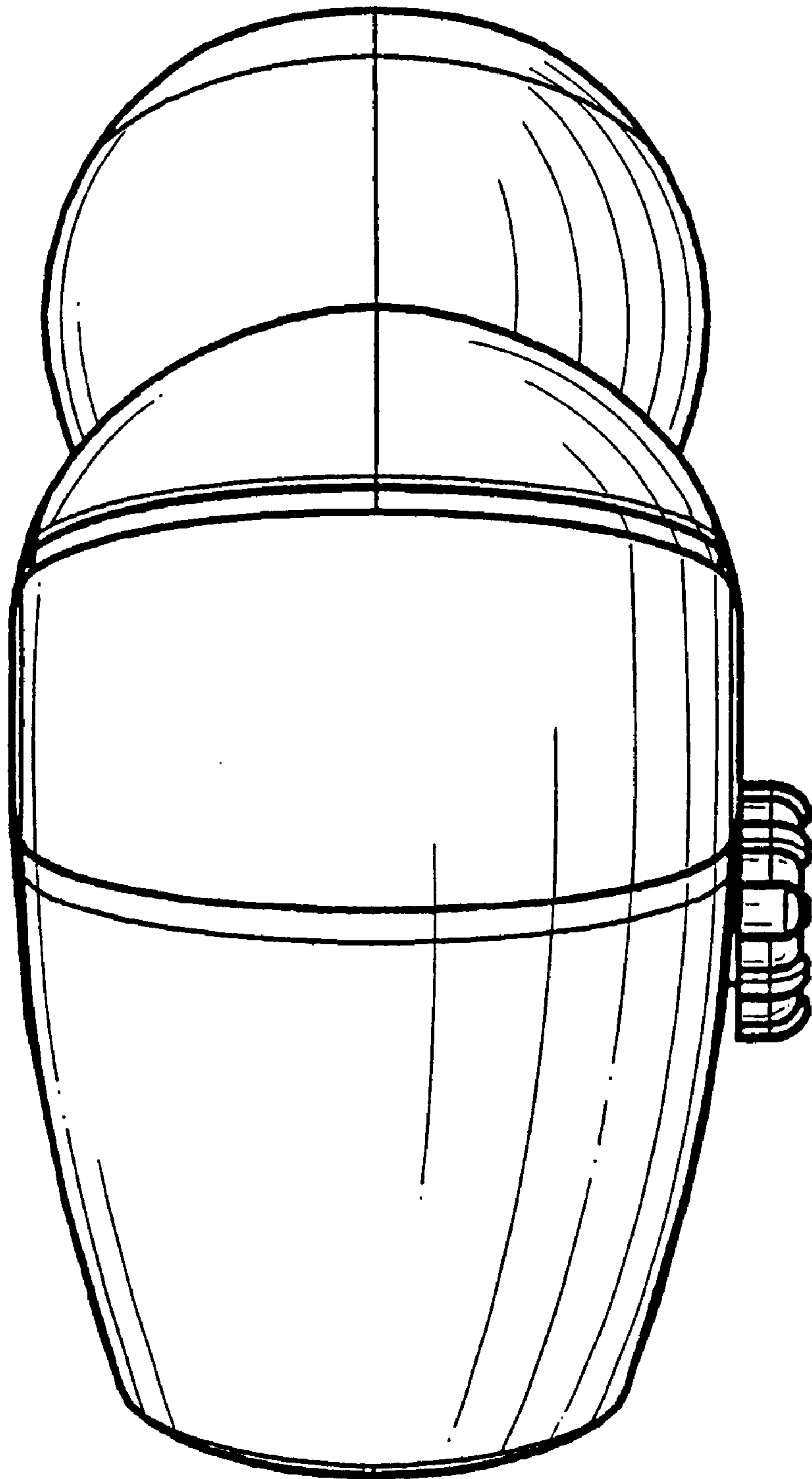


FIG. 4

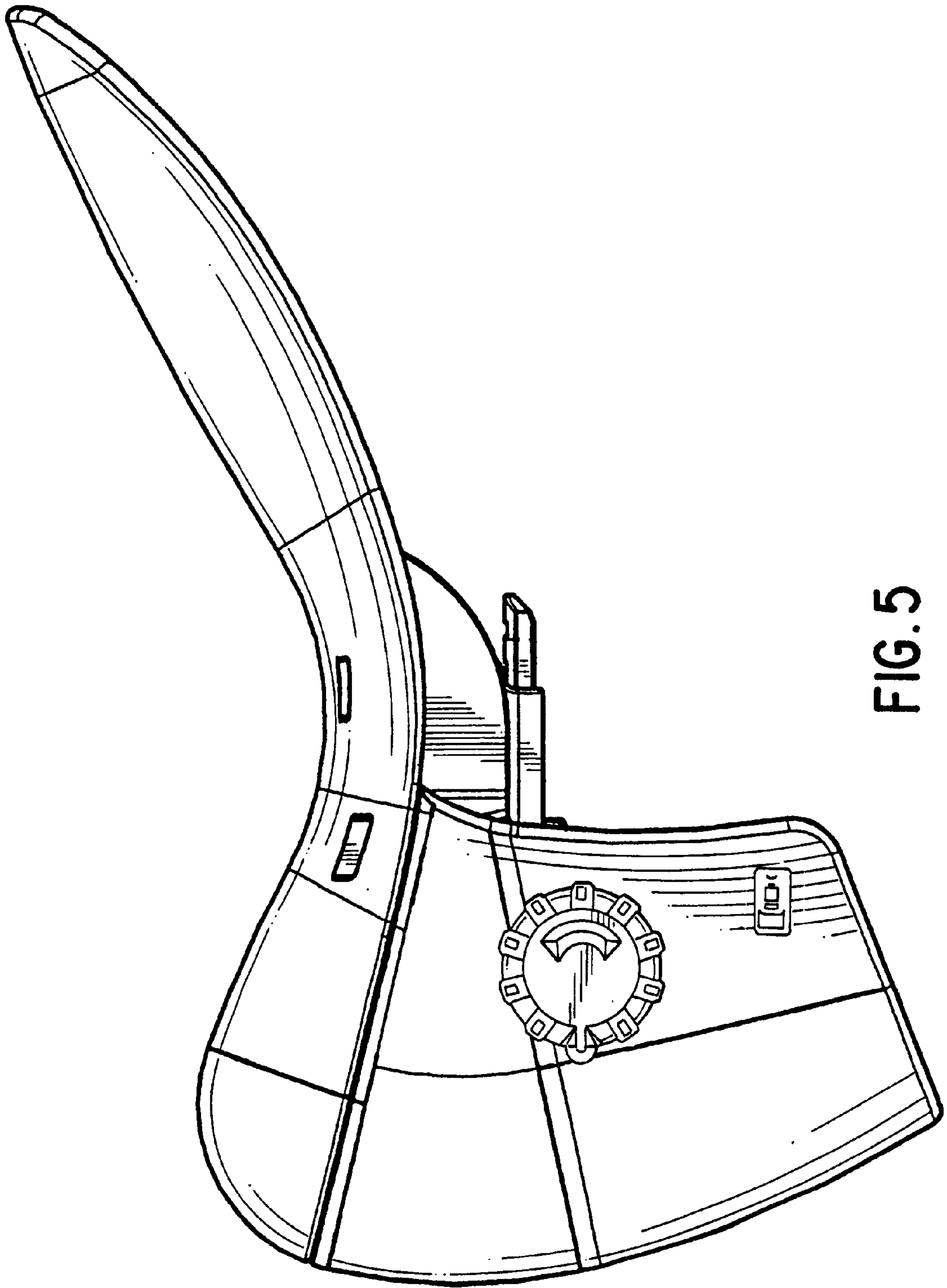


FIG. 5

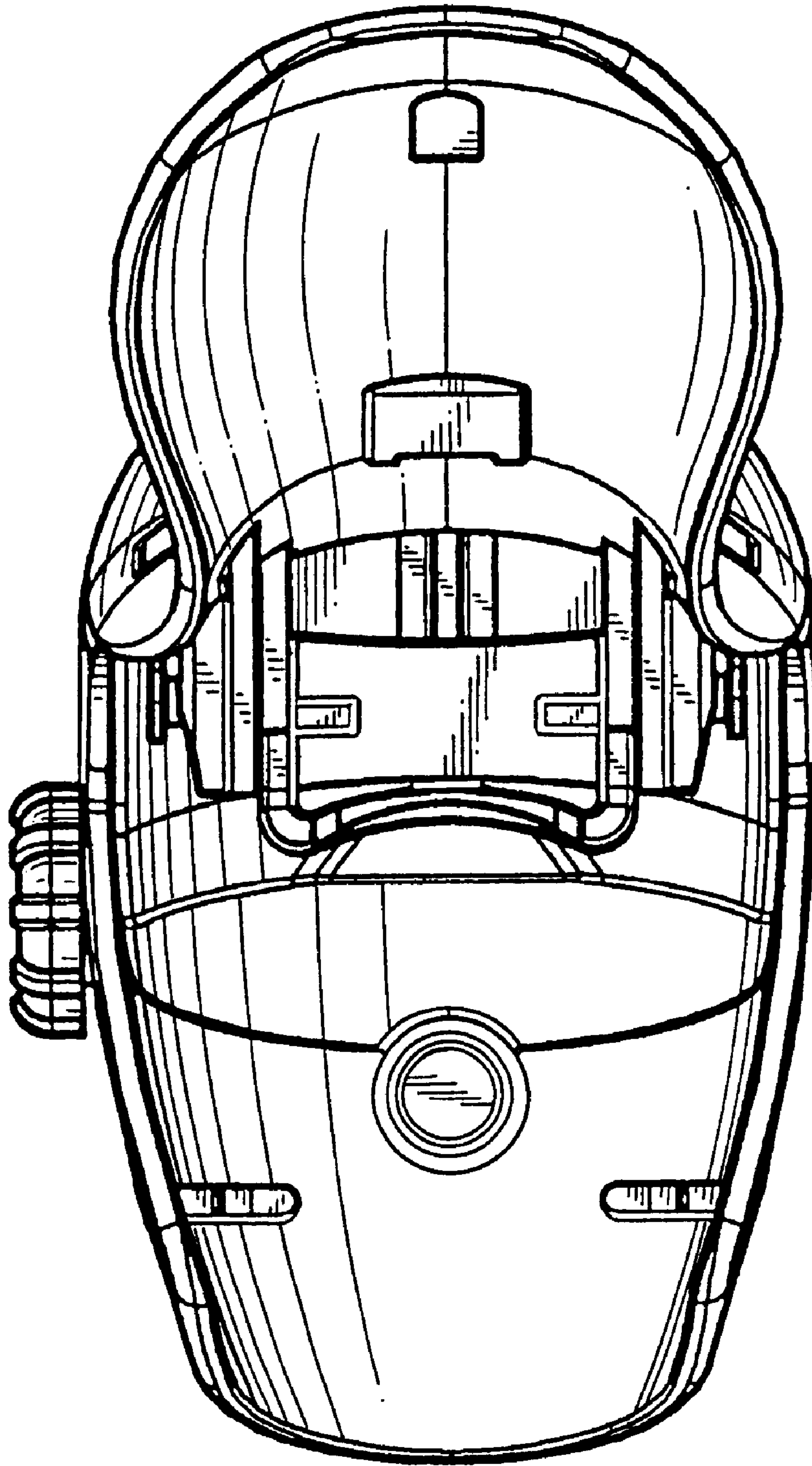


FIG. 6