



US00D446296S

(12) **United States Design Patent**
Gajewski

(10) **Patent No.:** **US D446,296 S**

(45) **Date of Patent:** **** Aug. 7, 2001**

(54) **CEILING FAN**

OTHER PUBLICATIONS

(75) **Inventor:** **Mark Gajewski**, San Luis Obispo, CA
(US)

Minka Lighting, Inc.; MinkaAire Two Thousand One; Oct. 5, 2000; pp. 18-19; Published in U.S.A.

(73) **Assignee:** **Minka Lighting, Inc.**, Corona, CA
(US)

* cited by examiner

Primary Examiner—Lisa Lichtenstein

(**) **Term:** **14 Years**

(74) *Attorney, Agent, or Firm*—Jenkins & Gilchrist, P.C

(21) **Appl. No.:** **29/134,415**

(57) **CLAIM**

(22) **Filed:** **Dec. 20, 2000**

The ornamental design for the ceiling fan, as shown and described.

(51) **LOC (7) Cl.** **23-04**

DESCRIPTION

(52) **U.S. Cl.** **D23/377; D23/379; D23/411**

FIG. 1 is a top plan view of the ceiling fan in accordance with my design taken along the line 1—1 in FIG. 2; and FIG. 2 is a front view of the ceiling fan in accordance with my design; and,

(58) **Field of Search** D23/377, 379,
D23/385, 411, 413; 416/5

FIG. 3 is a bottom plan view of the ceiling fan in accordance with my design taken along line 3—3 in FIG. 2.

(56) **References Cited**

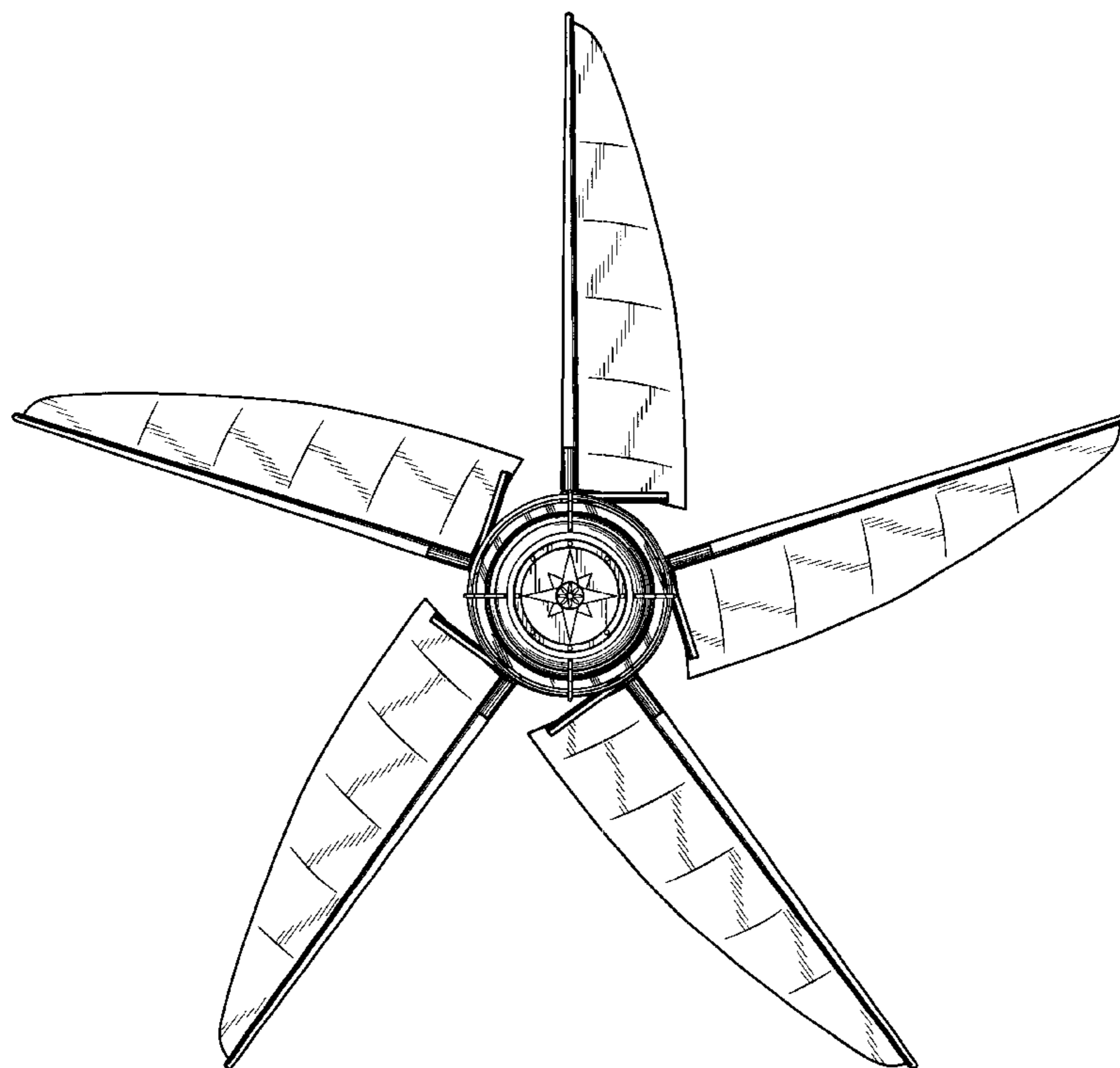
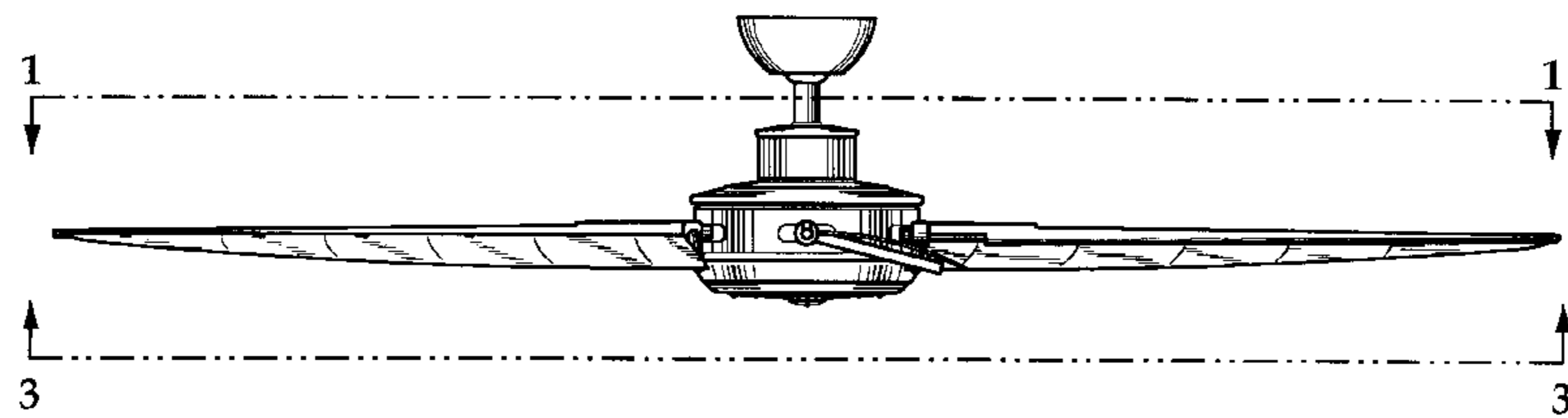
The front and rear, left and right elevational views are symmetrical.

U.S. PATENT DOCUMENTS

D. 335,920 * 5/1993 Jaeger D23/377

D. 370,973 * 6/1996 Wu D23/411

1 Claim, 2 Drawing Sheets



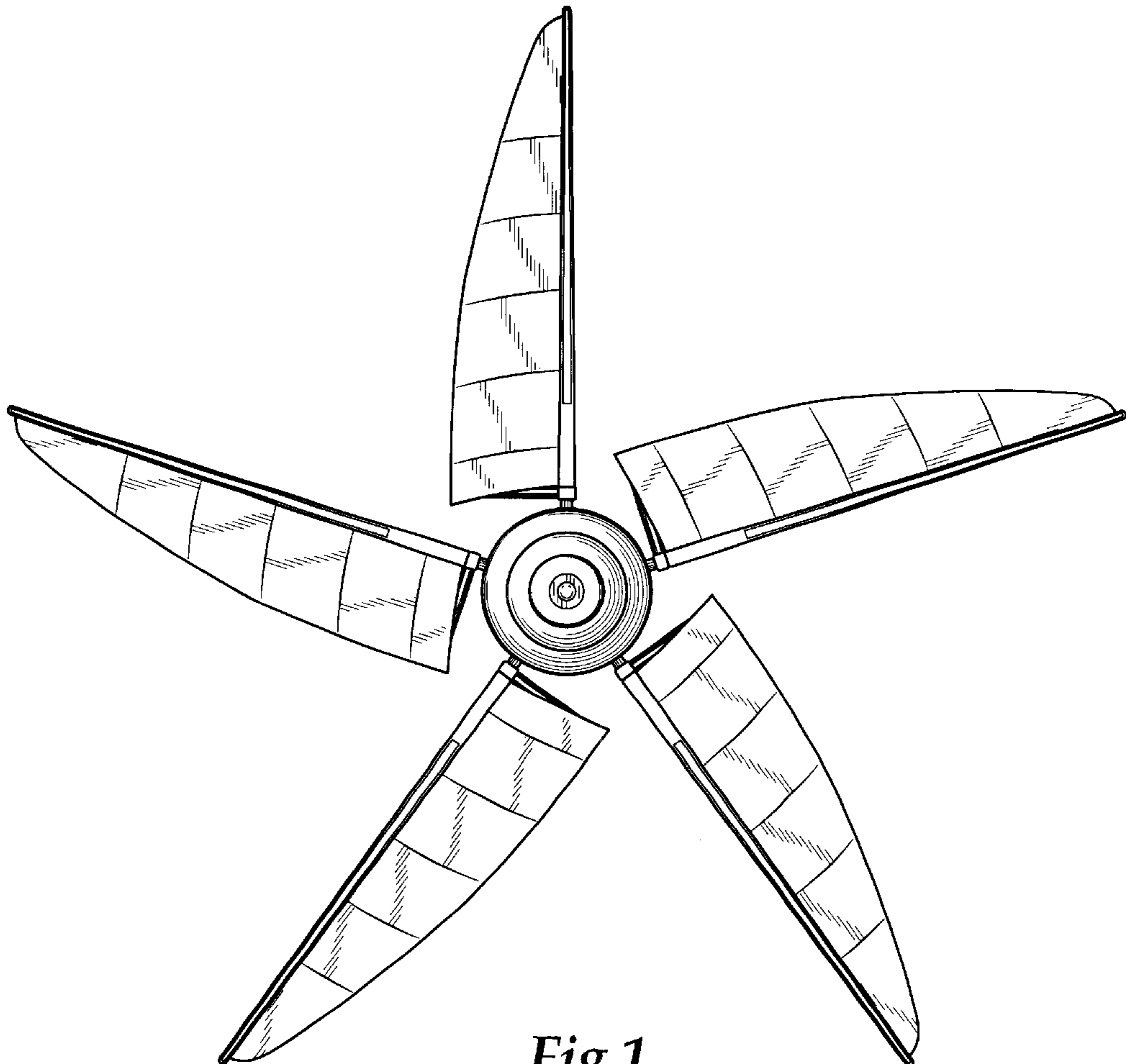


Fig.1

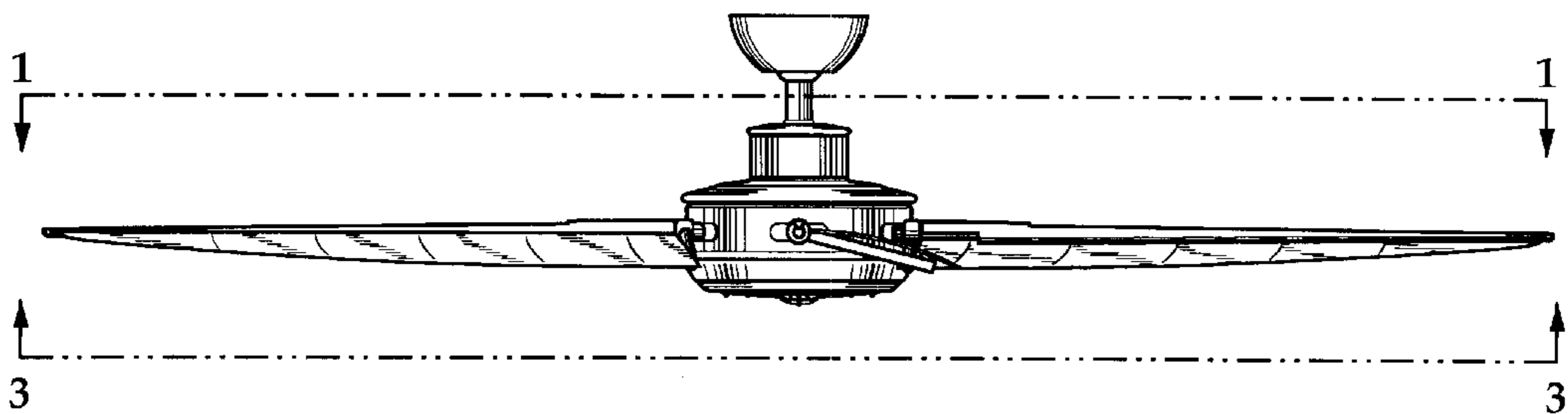


Fig.2

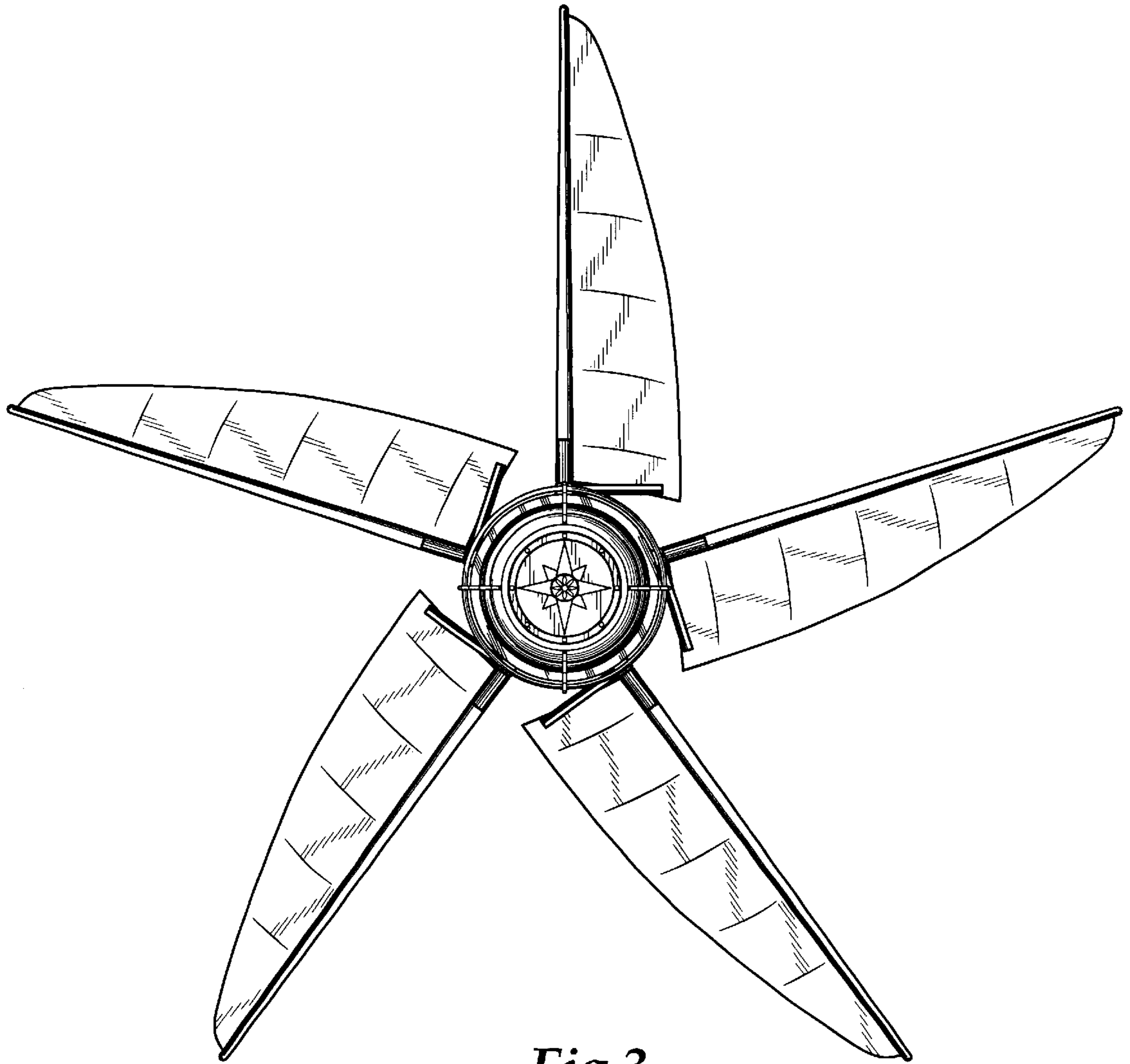


Fig.3