



US00D446292S

(12) **United States Design Patent**  
**Asakura et al.**

(10) **Patent No.:**

**US D446,292 S**

(45) **Date of Patent:**

**\*\* Aug. 7, 2001**

(54) **AIR CONDITIONER**

(75) Inventors: **Koji Asakura; Takumi Kagohashi,**  
both of Kanagawa (JP)

(73) Assignee: **Mitsubishi Denki Kabushiki Kaisha,**  
Tokyo (JP)

(\*\*) Term: **14 Years**

(21) Appl. No.: **29/122,670**

(22) Filed: **May 2, 2000**

(30) **Foreign Application Priority Data**

Dec. 7, 1999 (JP) ..... 11-33769

(51) **LOC (7) Cl.** ..... **23-04**

(52) **U.S. Cl.** ..... **D23/351**

(58) **Field of Search** ..... D23/351-354,  
D23/333; 312/236; 62/259.1, 259.4, 262,  
263, 304, 324.1, DIG. 16; 454/201, 202,  
204

(56) **References Cited**

**U.S. PATENT DOCUMENTS**

- D. 327,736 \* 7/1992 Shimano et al. .... D23/351
- D. 351,648 \* 10/1994 Ikeda et al. .... D23/351
- D. 368,305 \* 3/1996 Shigenari et al. .... D23/351
- D. 402,020 \* 12/1998 Aihara et al. .... D23/351

**FOREIGN PATENT DOCUMENTS**

- 903039 7/1994 (JP) .
- 903039-1 9/1995 (JP) .
- 903039-2 9/1995 (JP) .
- 903039-3 9/1995 (JP) .
- 903039-4 9/1995 (JP) .
- 903039-5 9/1995 (JP) .

- 903039-6 1/1996 (JP) .
- 903039-7 1/1996 (JP) .
- 953681 5/1996 (JP) .
- 986439 8/1997 (JP) .
- 986439-1 10/1997 (JP) .
- 986439-2 10/1997 (JP) .
- 1026754 12/1998 (JP) .
- 903039-10 2/1999 (JP) .
- 903039-8 2/1999 (JP) .
- 903039-9 2/1999 (JP) .
- 1044260 7/1999 (JP) .
- 1049667 9/1999 (JP) .
- 1049668 9/1999 (JP) .
- 1049668-1 9/1999 (JP) .
- 151124 5/1994 (KR) .

\* cited by examiner

*Primary Examiner*—B. J. Bullock

(74) *Attorney, Agent, or Firm*—Oblon, Spivak, McClelland,  
Maier & Neustadt, P.C.

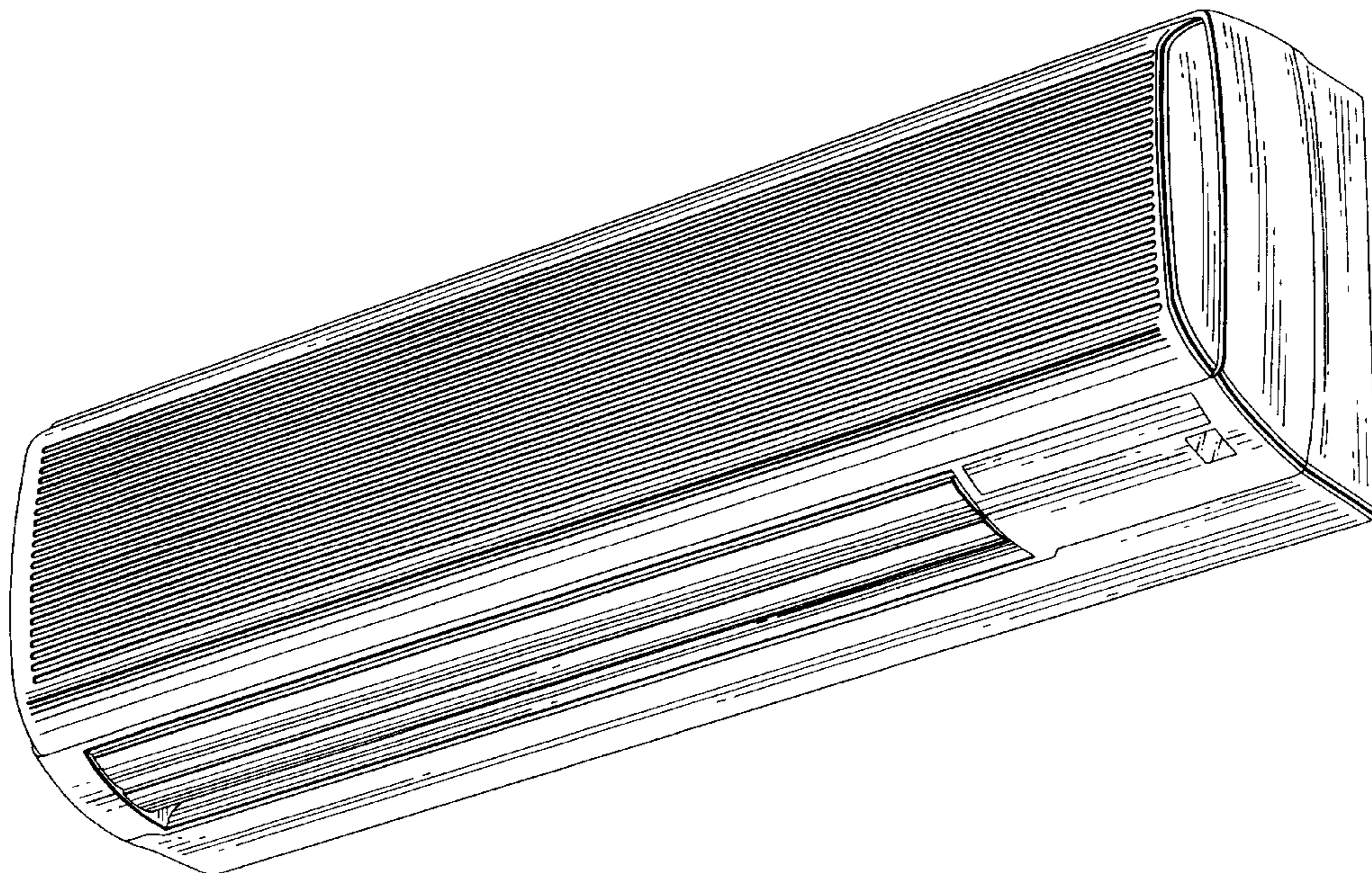
(57) **CLAIM**

The ornamental design for an air conditioner, as shown and described.

**DESCRIPTION**

FIG. 1 is a front, bottom and right side perspective view of an air conditioner showing our new design; FIG. 2 is a front elevational view thereof; FIG. 3 is a top plan view thereof; FIG. 4 is a rear elevational view thereof; FIG. 5 is a bottom plan view thereof; FIG. 6 is a left side elevational view thereof; FIG. 7 is a right side elevational view thereof; and, FIG. 8 is a front, bottom and right side perspective view With the louvers opened.

**1 Claim, 5 Drawing Sheets**





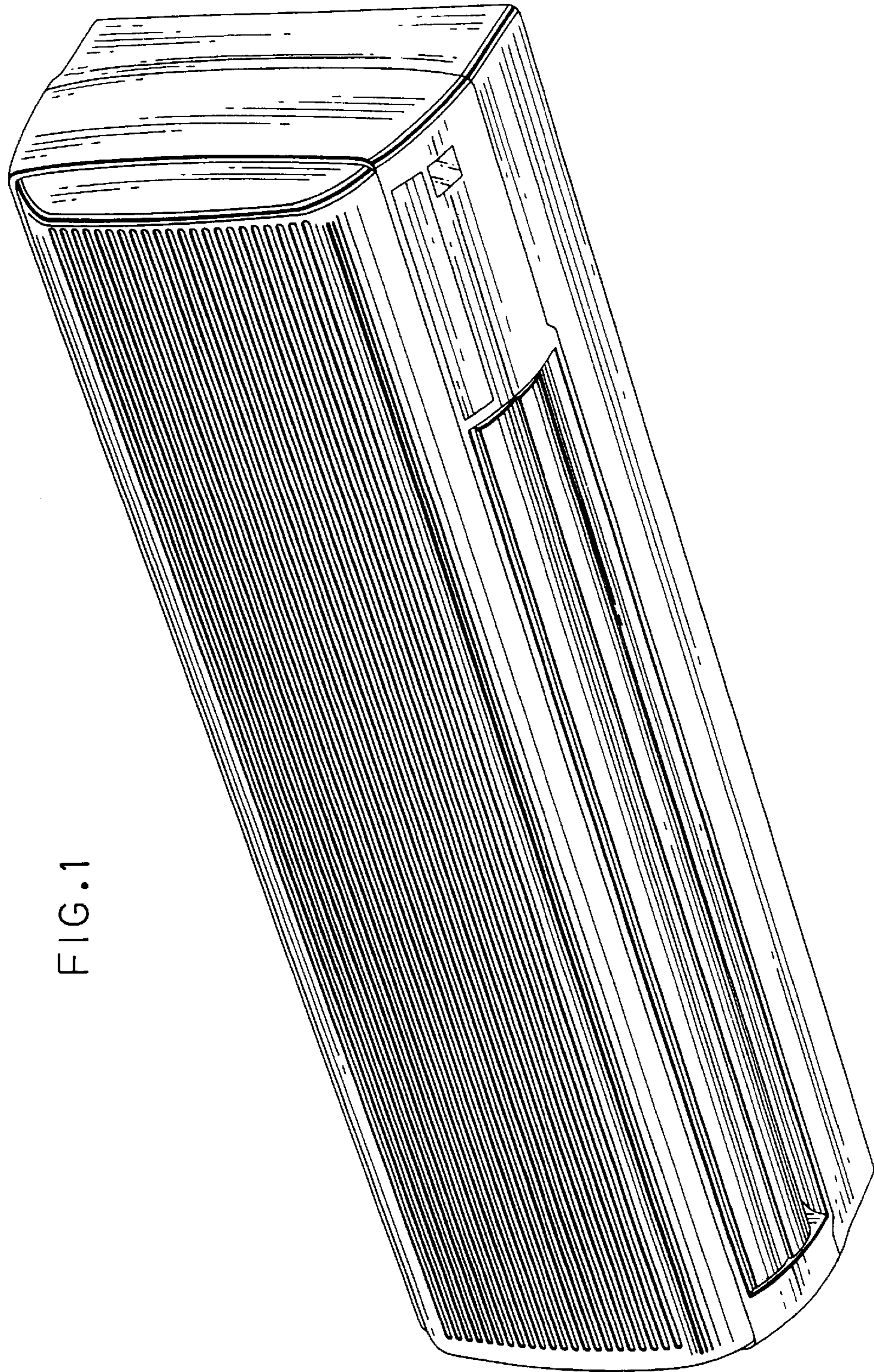


FIG. 1

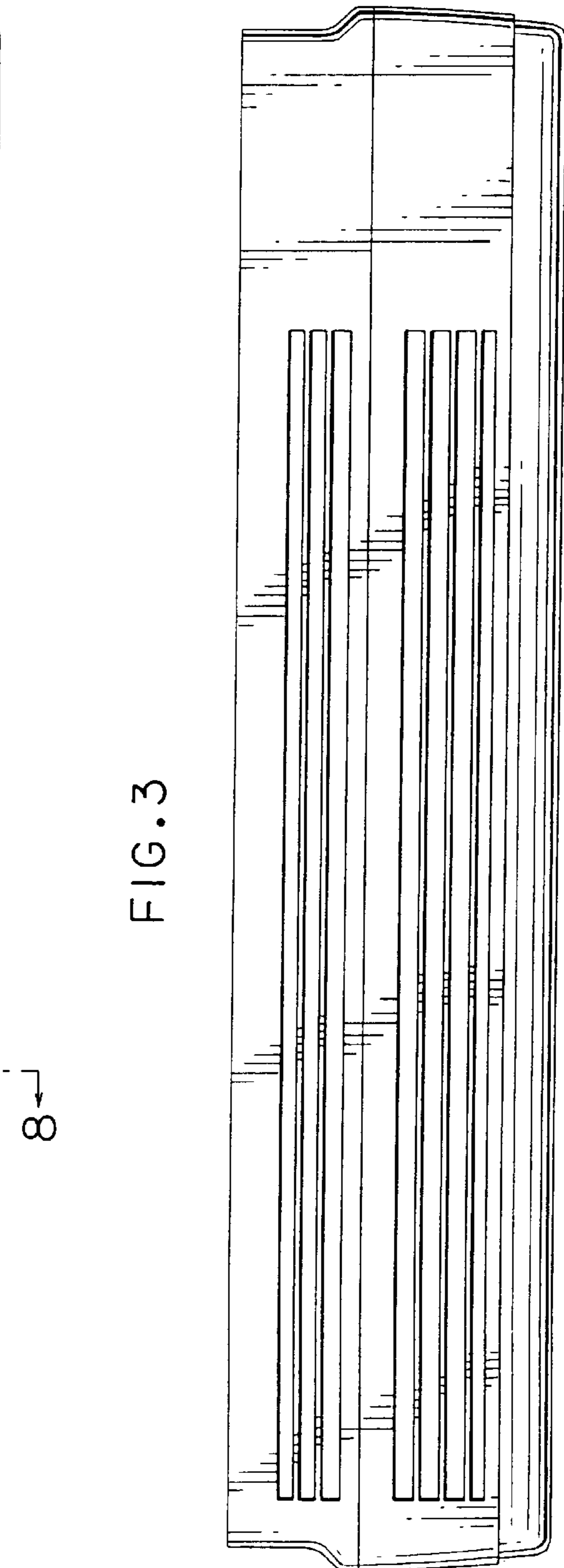
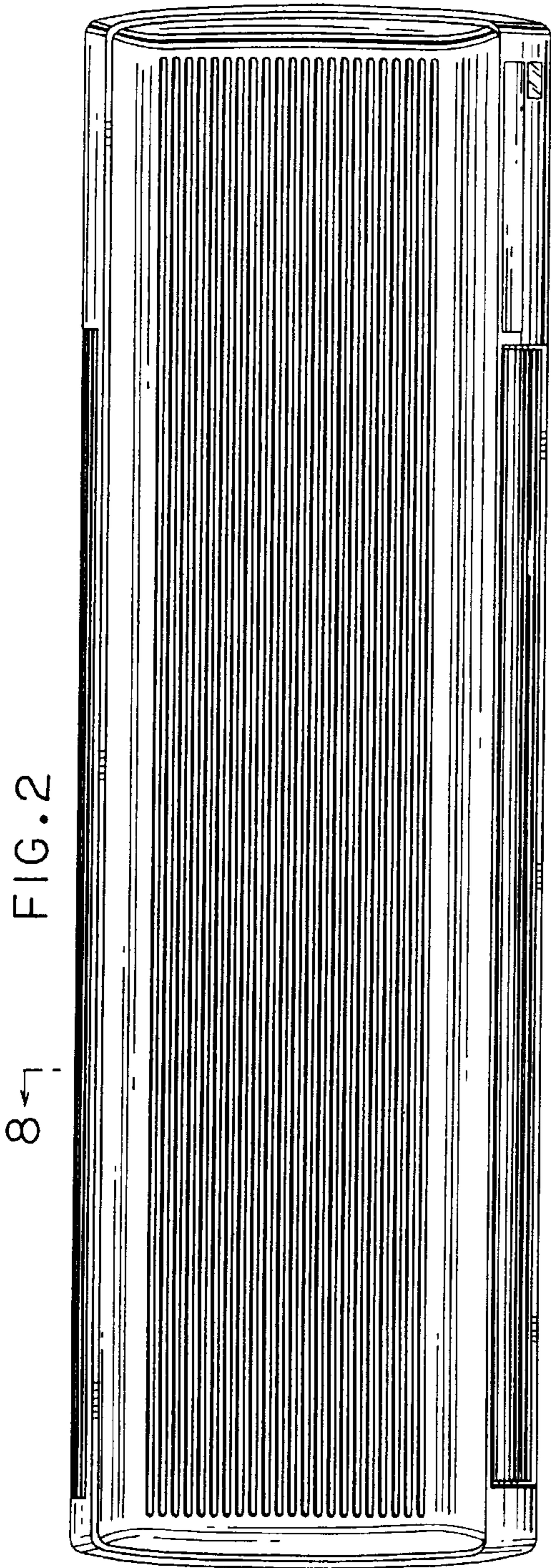


FIG. 4

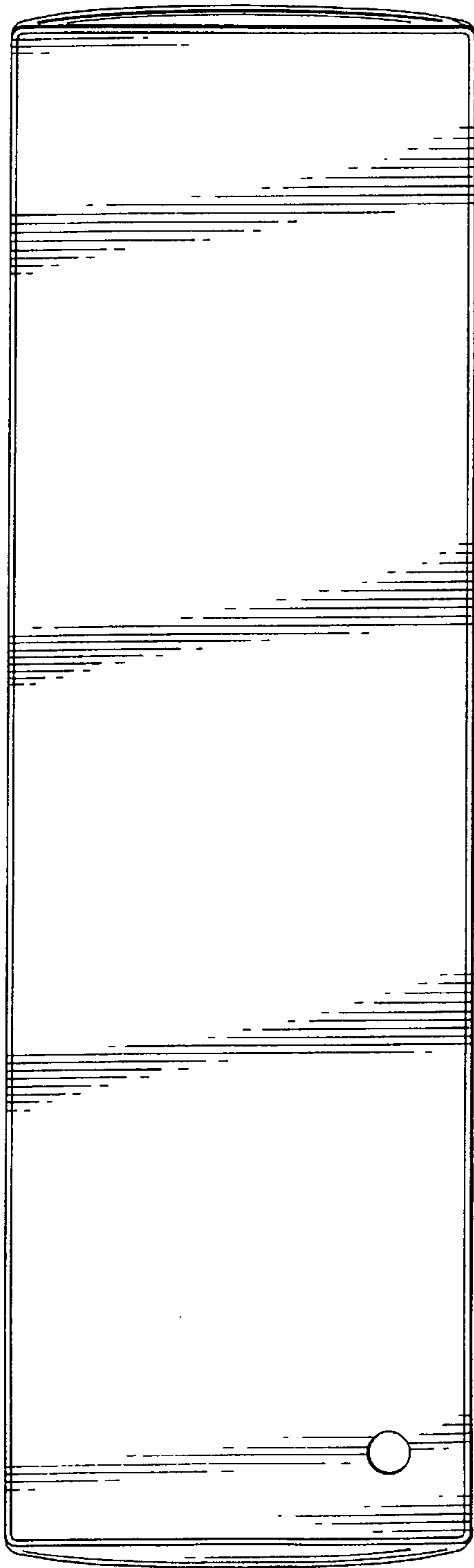


FIG. 5

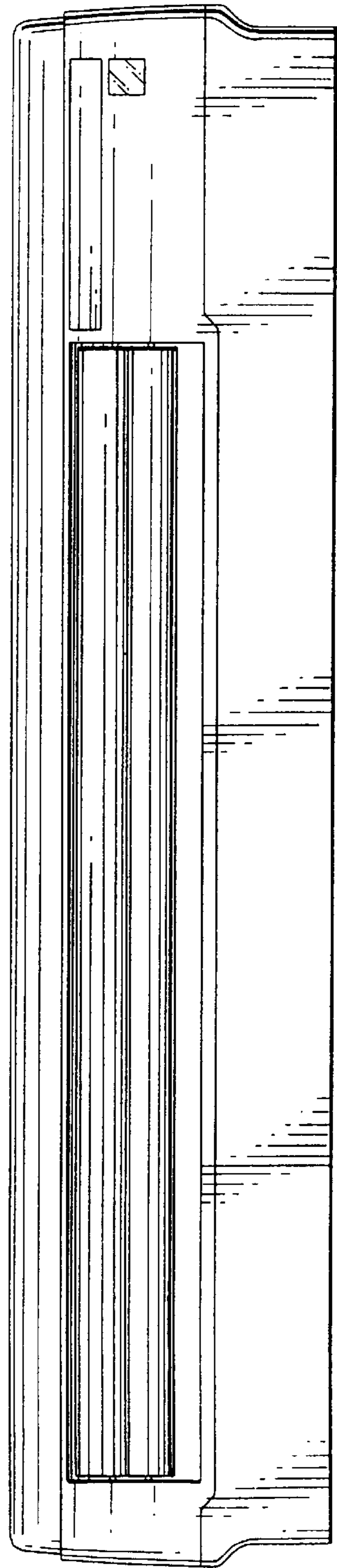


FIG. 7

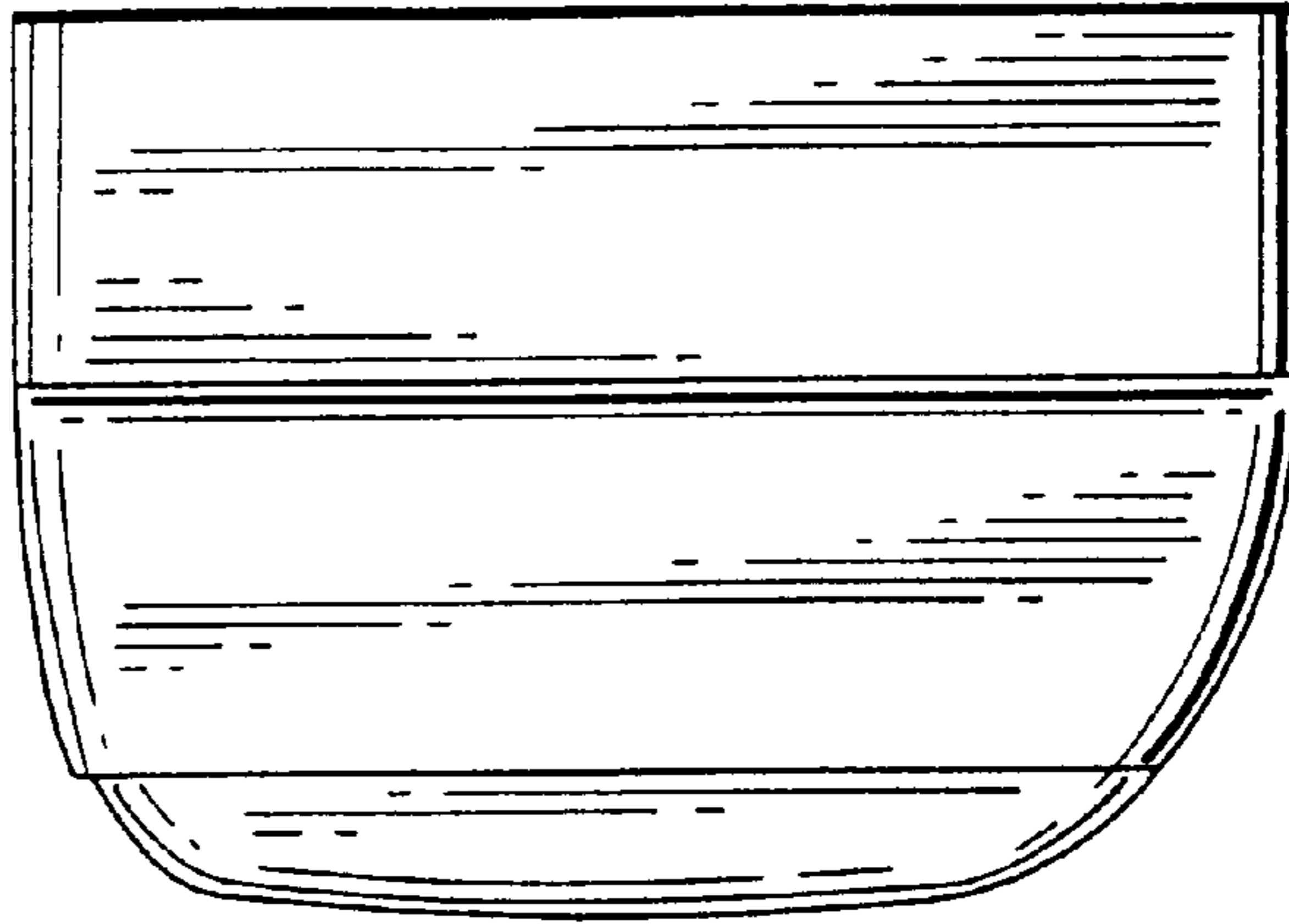
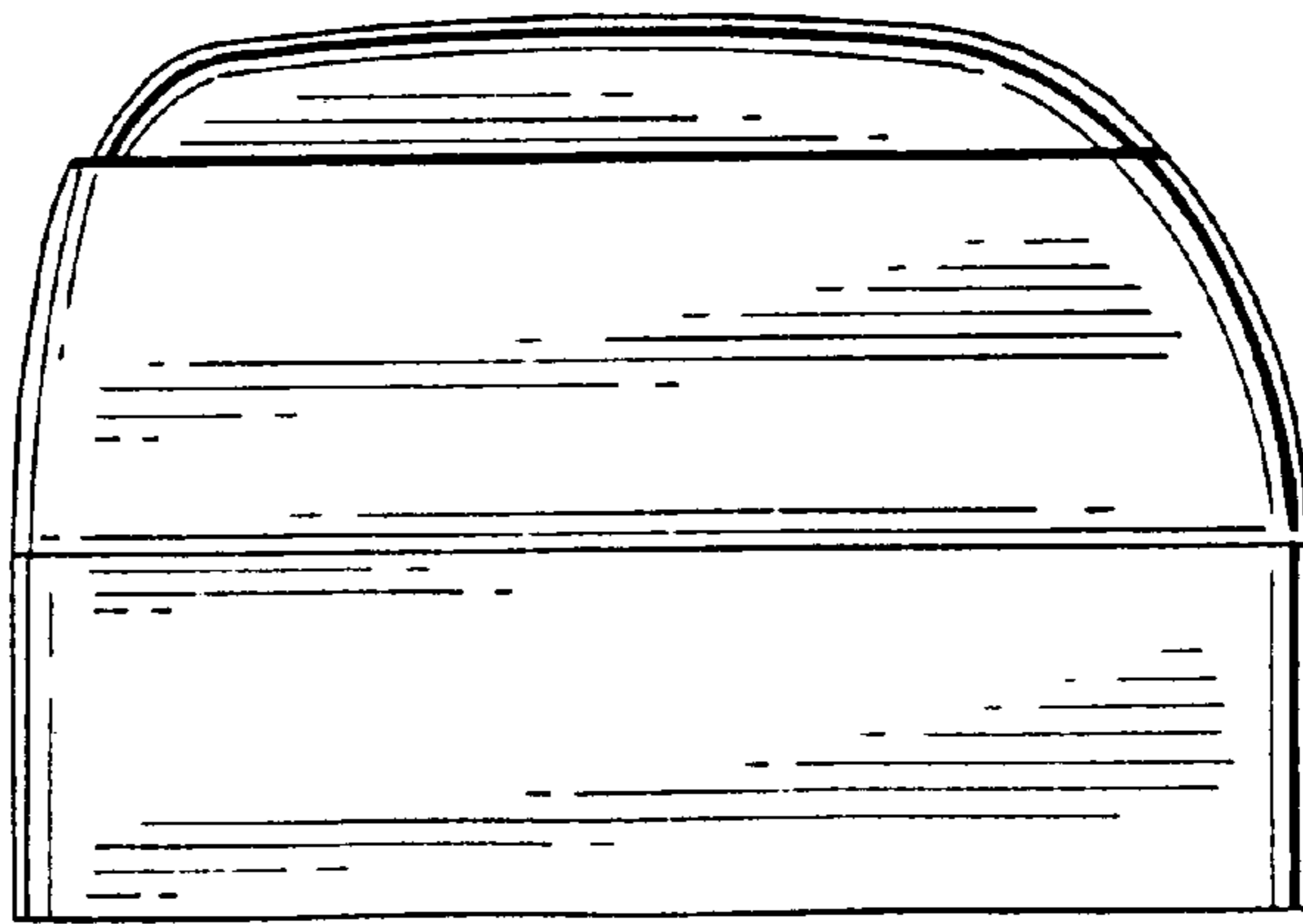


FIG. 6





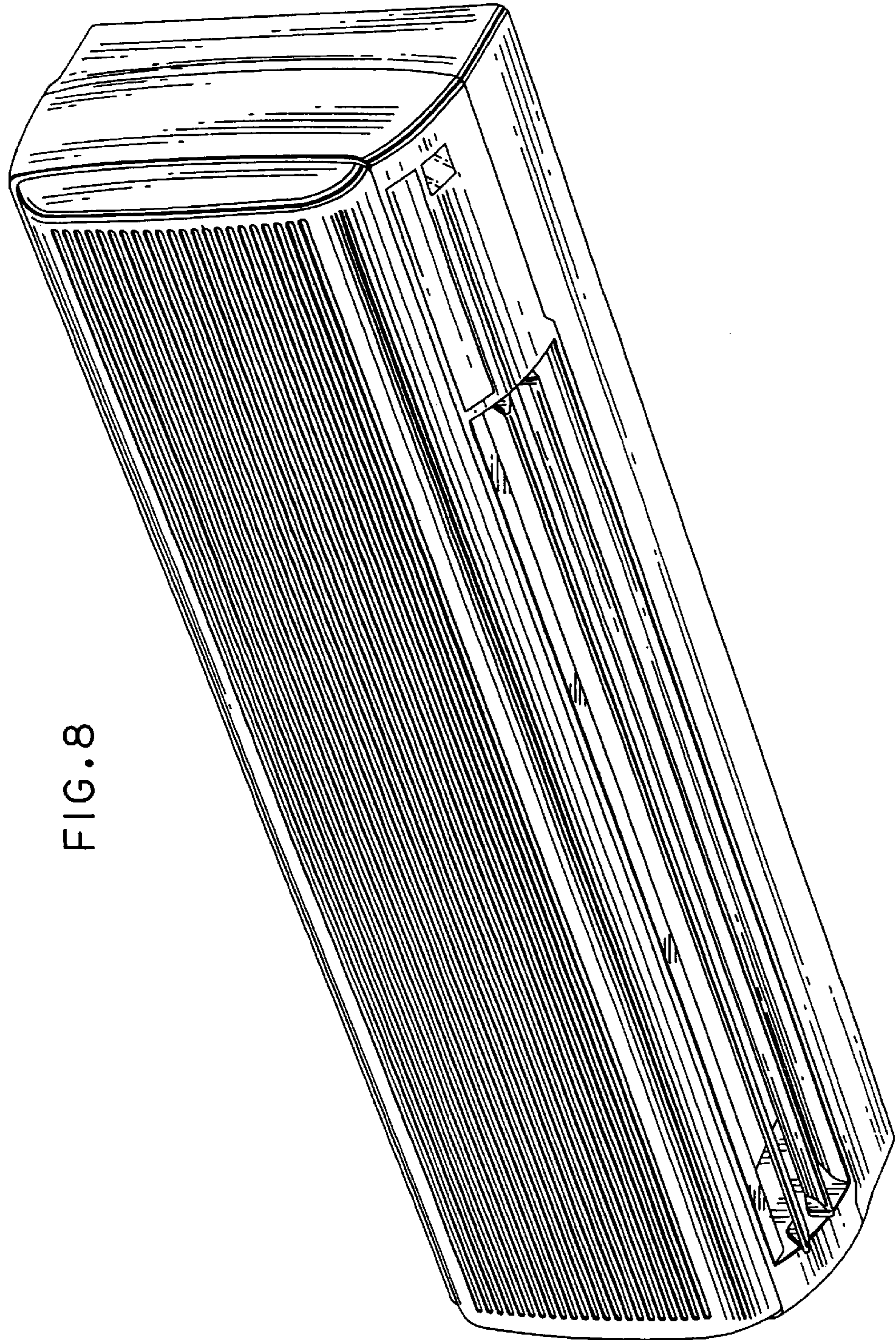


FIG. 8