



US00D446288S

(12) **United States Design Patent**  
**McKeone et al.**

(10) **Patent No.:** **US D446,288 S**

(45) **Date of Patent:** **\*\* Aug. 7, 2001**

(54) **LAVATORY**

(75) Inventors: **William C. McKeone; Anna-Pia K. Slothower**, both of Sheboygan, WI (US)

(73) Assignee: **Kohler Co.**, Kohler, WI (US)

(\*\*) Term: **14 Years**

(21) Appl. No.: **29/121,336**

(22) Filed: **Apr. 5, 2000**

(51) **LOC (7) Cl.** ..... **23-02**

(52) **U.S. Cl.** ..... **D23/293.1**

(58) **Field of Search** ..... D23/270-274,  
D23/284-292, 293.1, 303, 308; 4/619, 630,  
631, 632, 637-643, 650, 656, 660

(56) **References Cited**

**U.S. PATENT DOCUMENTS**

D. 198,740	*	7/1964	Tiller	.....	D23/274
D. 232,638	*	9/1974	Mather	.....	D23/284
D. 292,609	*	11/1987	Kolada	.....	D23/293.1
D. 319,689	*	9/1991	Levien	.....	D23/293.1
D. 380,040	*	6/1997	Kohler et al.	.....	D23/293.1
D. 399,933	*	10/1998	Thomas	.....	D23/284
3,824,636	*	7/1974	Brown	.....	4/619

**OTHER PUBLICATIONS**

Undated Kohler catalog ad, p. 14.38, showing a "Brookline" lavatory.

Bennington sink, item #I-3540F, Borg-Warner Corporation brochure.\*

\* cited by examiner

*Primary Examiner*—Louis S. Zarfaz

*Assistant Examiner*—Robert A. Delehanty

(74) *Attorney, Agent, or Firm*—Quarles & Brady LLP

(57) **CLAIM**

The ornamental design for a lavatory, as shown and described.

**DESCRIPTION**

In a preferred embodiment, the nature of this product is as a plumbing fixture primarily useful for washing the face and hands of humans.

FIG. 1 is a left, top, front perspective view of a lavatory embodying our new design;

FIG. 2 is a left, top, rear perspective view thereof;

FIG. 3 is a top plan view thereof;

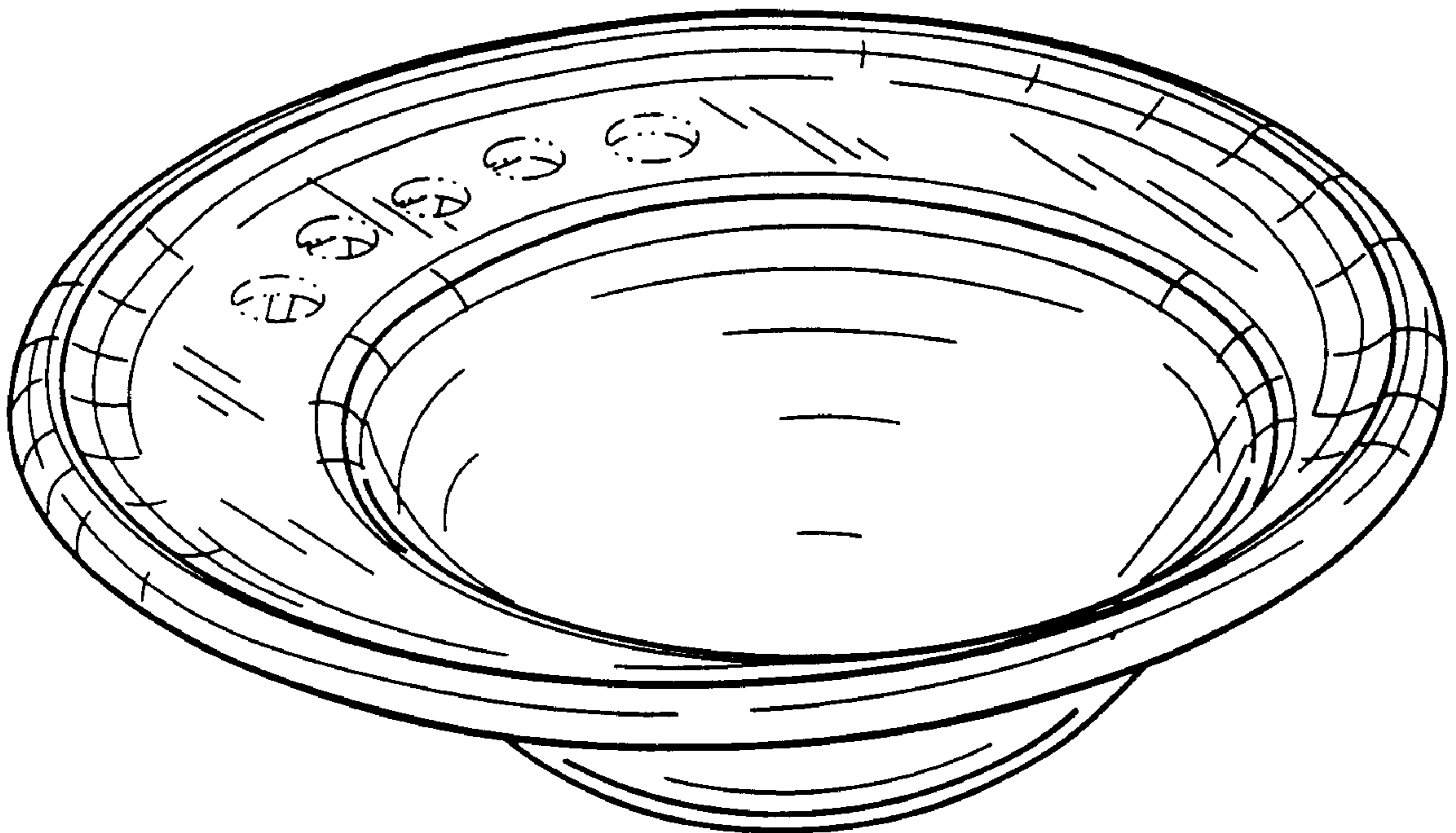
FIG. 4 is a front elevational view thereof;

FIG. 5 is a left side elevational view thereof, the right side elevational view being identical to the left side shown; and,

FIG. 6 is a rear elevational view thereof.

The broken line representations of holes in FIGS. 1-3, and of slots in FIGS. 2, 5, and 6, are for the purpose of illustration only, and form no part of the claimed design.

**1 Claim, 2 Drawing Sheets**



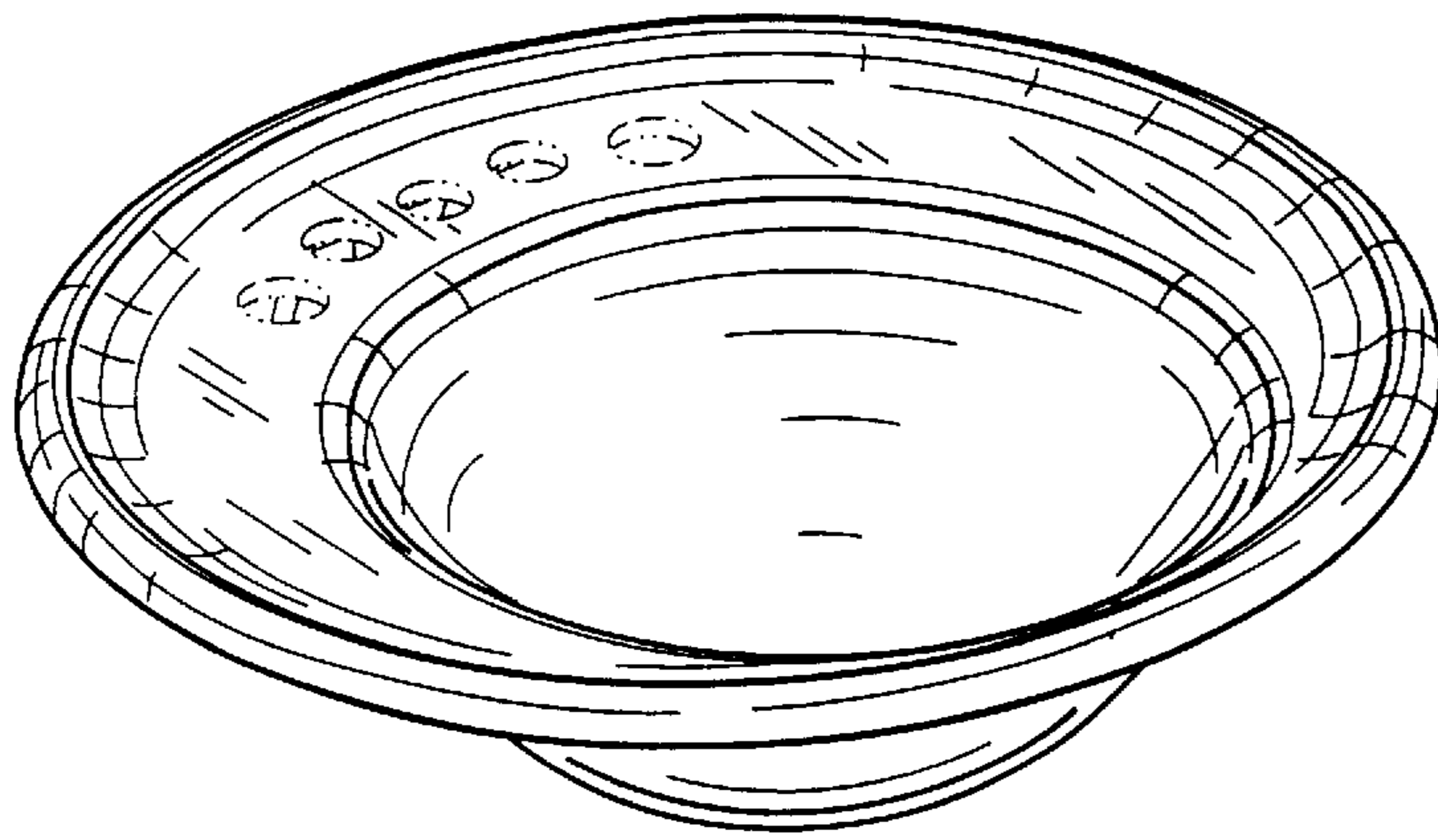


FIG. 1

FIG. 2

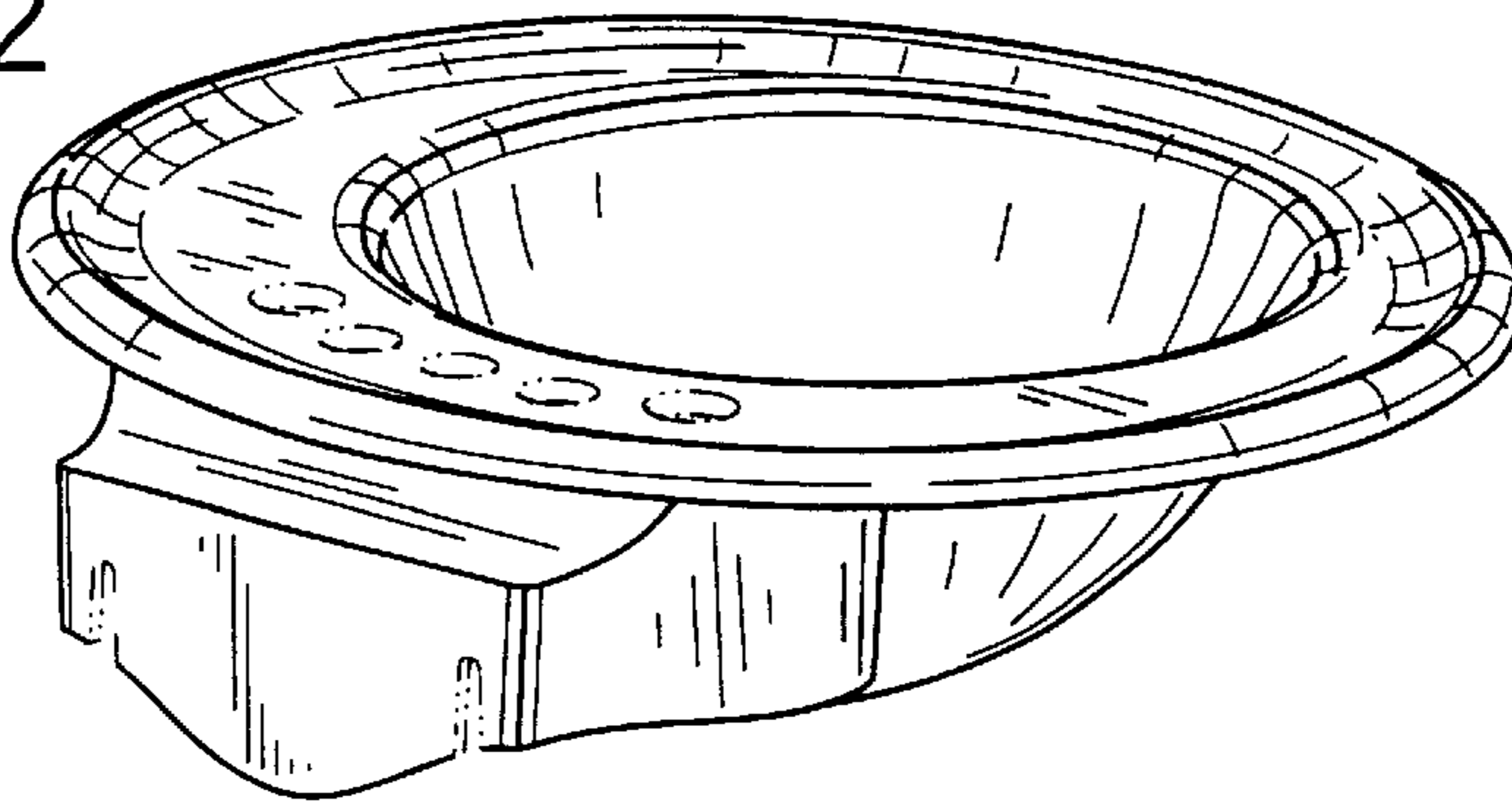


FIG. 3

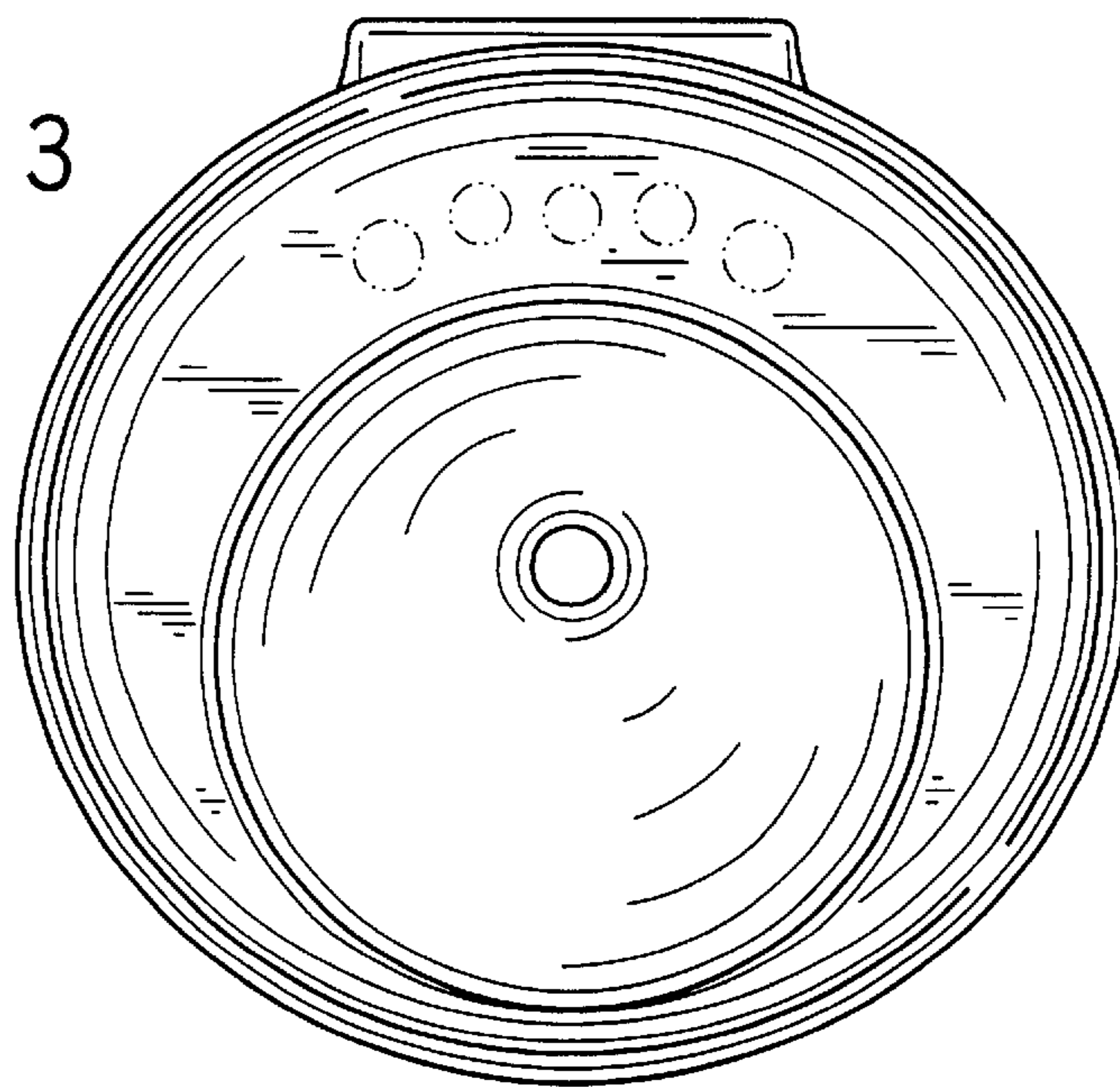


FIG. 4

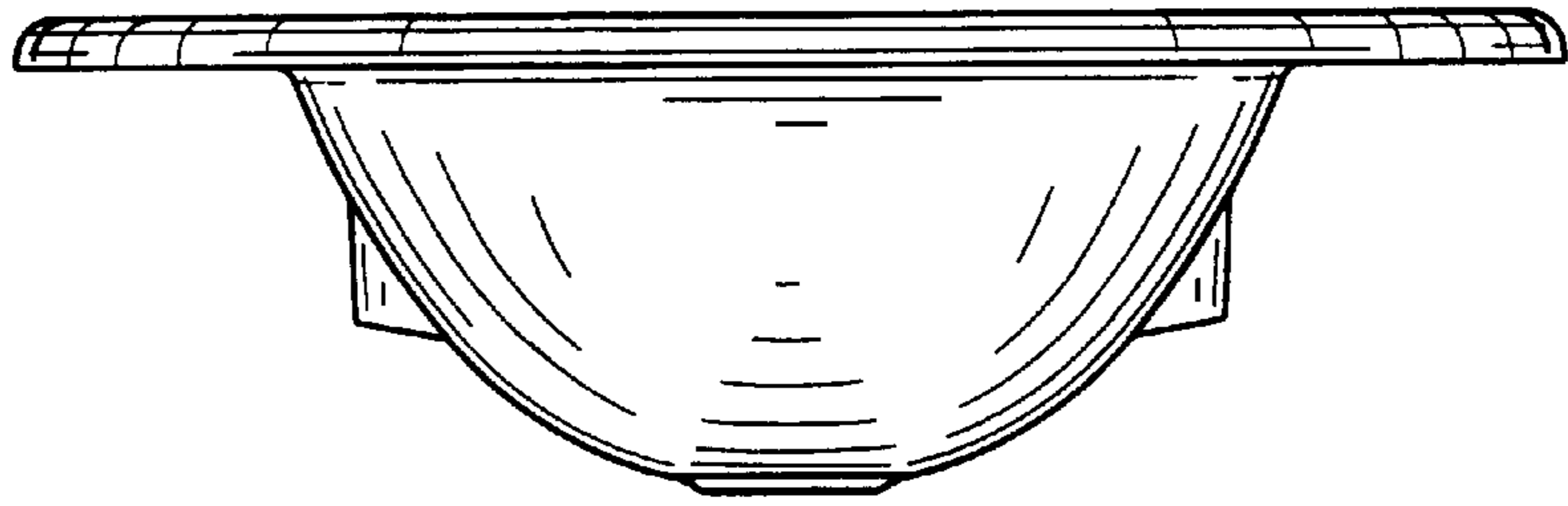


FIG. 5

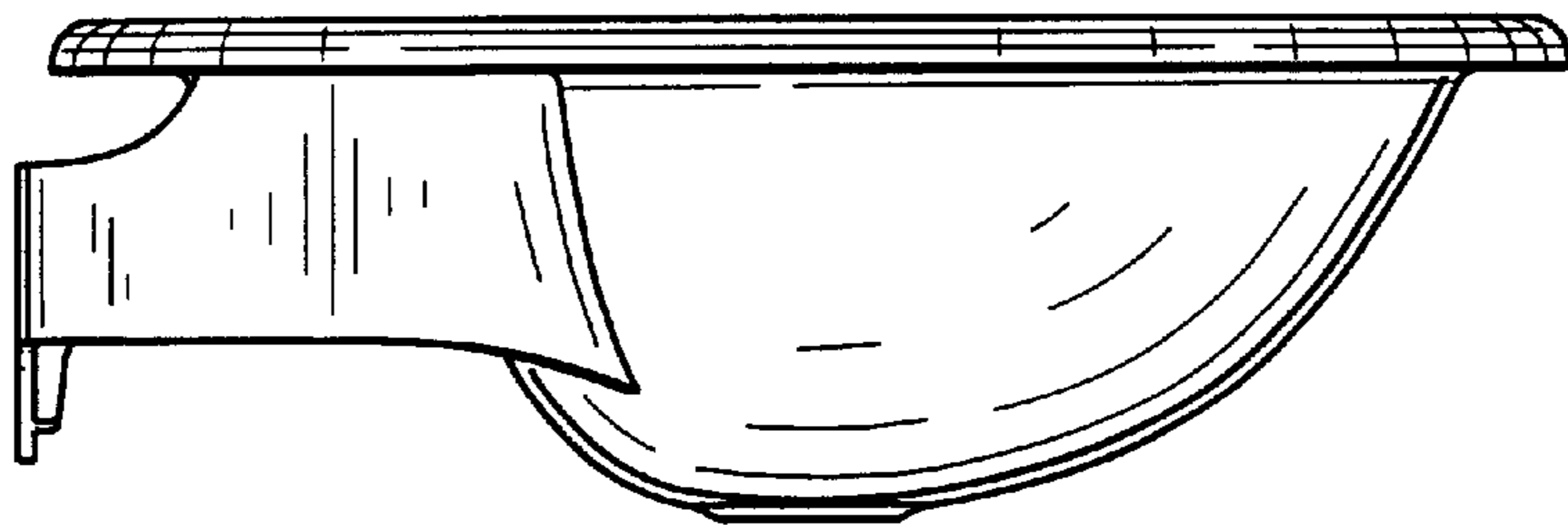


FIG. 6

