



US00D446284S

(12) **United States Design Patent**
Chaffee

(10) **Patent No.:** **US D446,284 S**

(45) **Date of Patent:** **** Aug. 7, 2001**

(54) **HAND-HELD PUMP**

FOREIGN PATENT DOCUMENTS

(76) Inventor: **Robert Chaffee**, 78 Montgomery St.,
Boston, MA (US) 02116

2554719 6/1977 (DE) F23L/5/02
2701556 7/1978 (DE) F04D/29/60
0852296 7/1998 (EP) F04D/25/08

(**) Term: **14 Years**

* cited by examiner

(21) Appl. No.: **29/118,960**

Primary Examiner—Robin V. Taylor

(22) Filed: **Feb. 18, 2000**

(74) *Attorney, Agent, or Firm*—Wolf, Greenfield & Sacks,
P.C.

(51) **LOC (7) Cl.** **15-02**

(52) **U.S. Cl.** **D23/231**

(58) **Field of Search** D23/231, 232;
137/223; 417/26, 437

(57) **CLAIM**

The ornamental design for a hand-held pump, as shown and described.

(56) **References Cited**

DESCRIPTION

U.S. PATENT DOCUMENTS

D. 415,254	*	10/1999	Campbell et al.	D23/231
D. 420,428	*	2/2000	Willis	D23/232
2,595,406		5/1952	Popovich	230/259
2,803,527		8/1957	Lundahl	230/259
3,086,698		4/1963	Goldstein	230/117
4,449,897	*	5/1984	Garrett	417/437
4,678,014		7/1987	Owen et al.	.	

FIG. 1 is a perspective view of a first embodiment of the hand-held pump;

FIG. 2 is a side elevational view thereof;

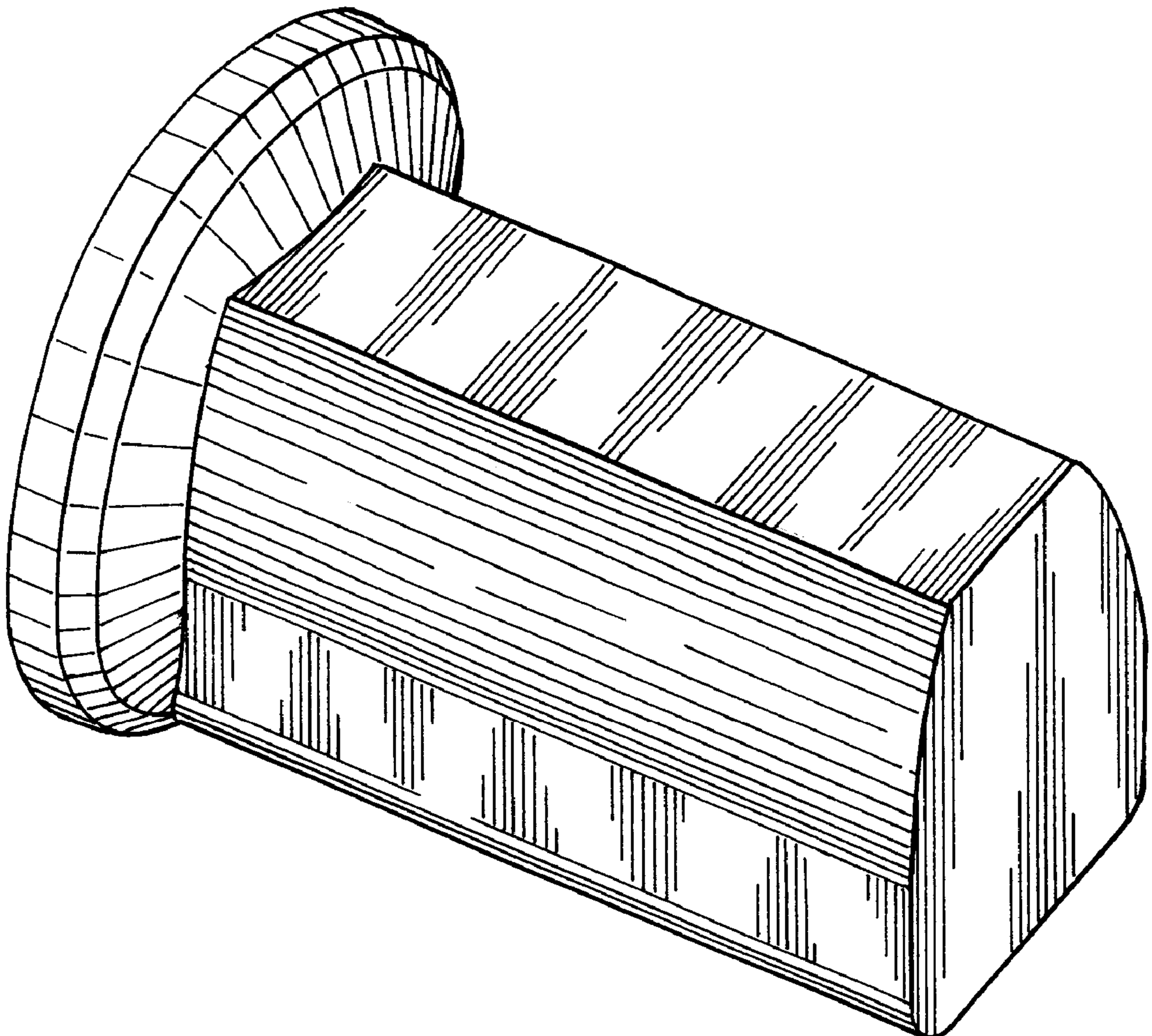
FIG. 3 is a rear elevational view thereof;

FIG. 4 is a front elevational view thereof;

FIG. 5 is a top plan view thereof; and,

FIG. 6 is a bottom plan view thereof.

1 Claim, 2 Drawing Sheets



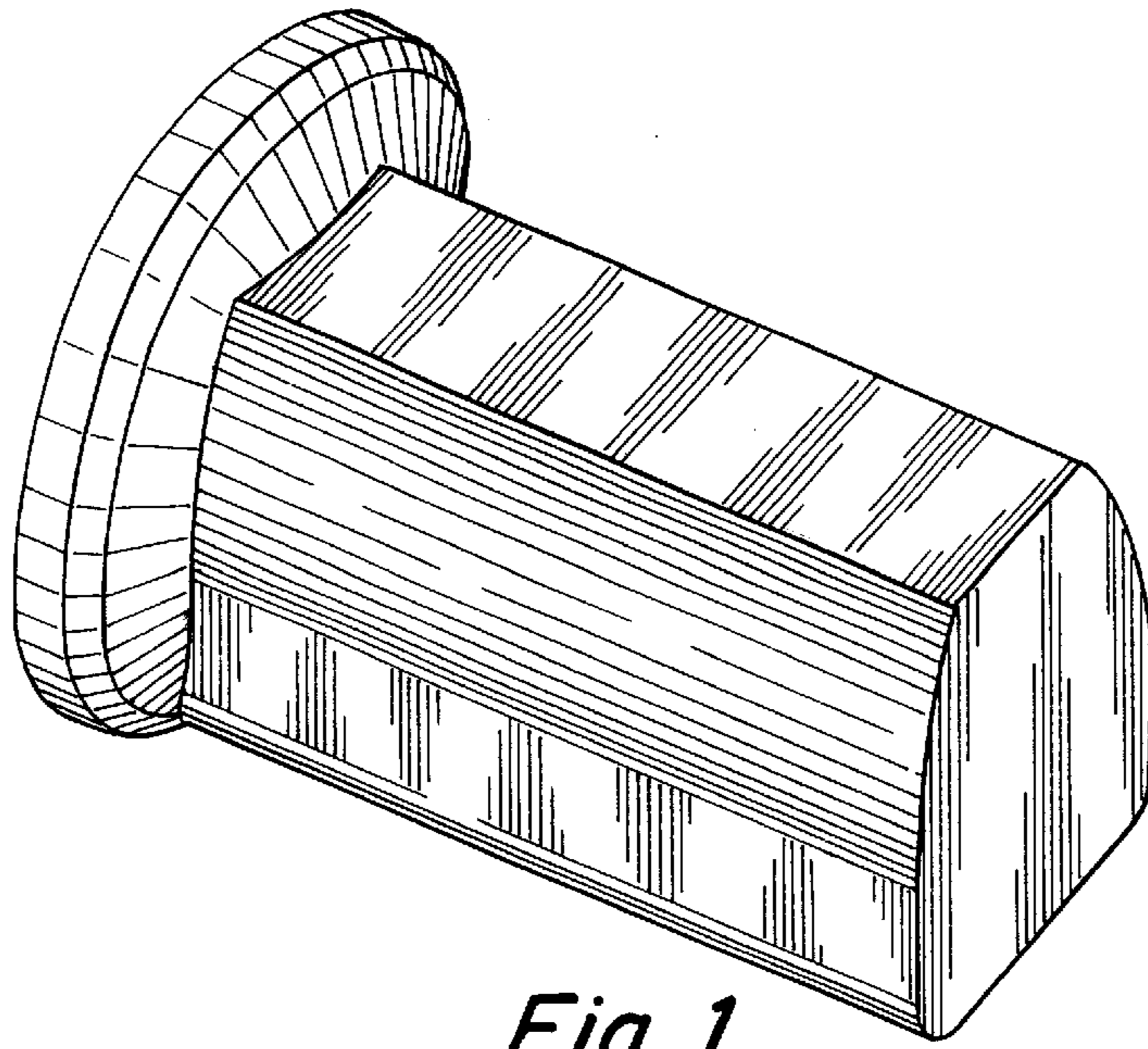


Fig. 1

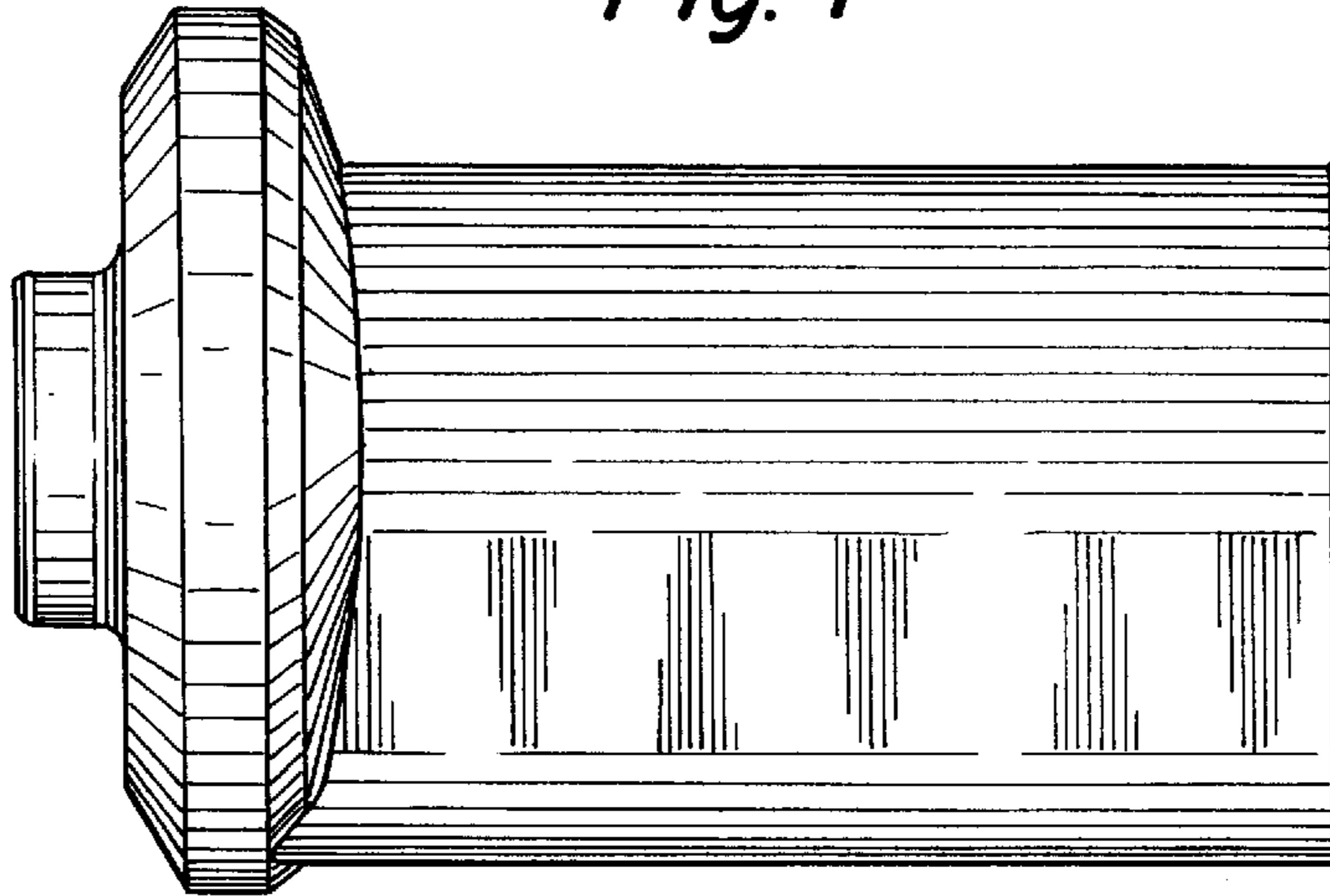


Fig. 2

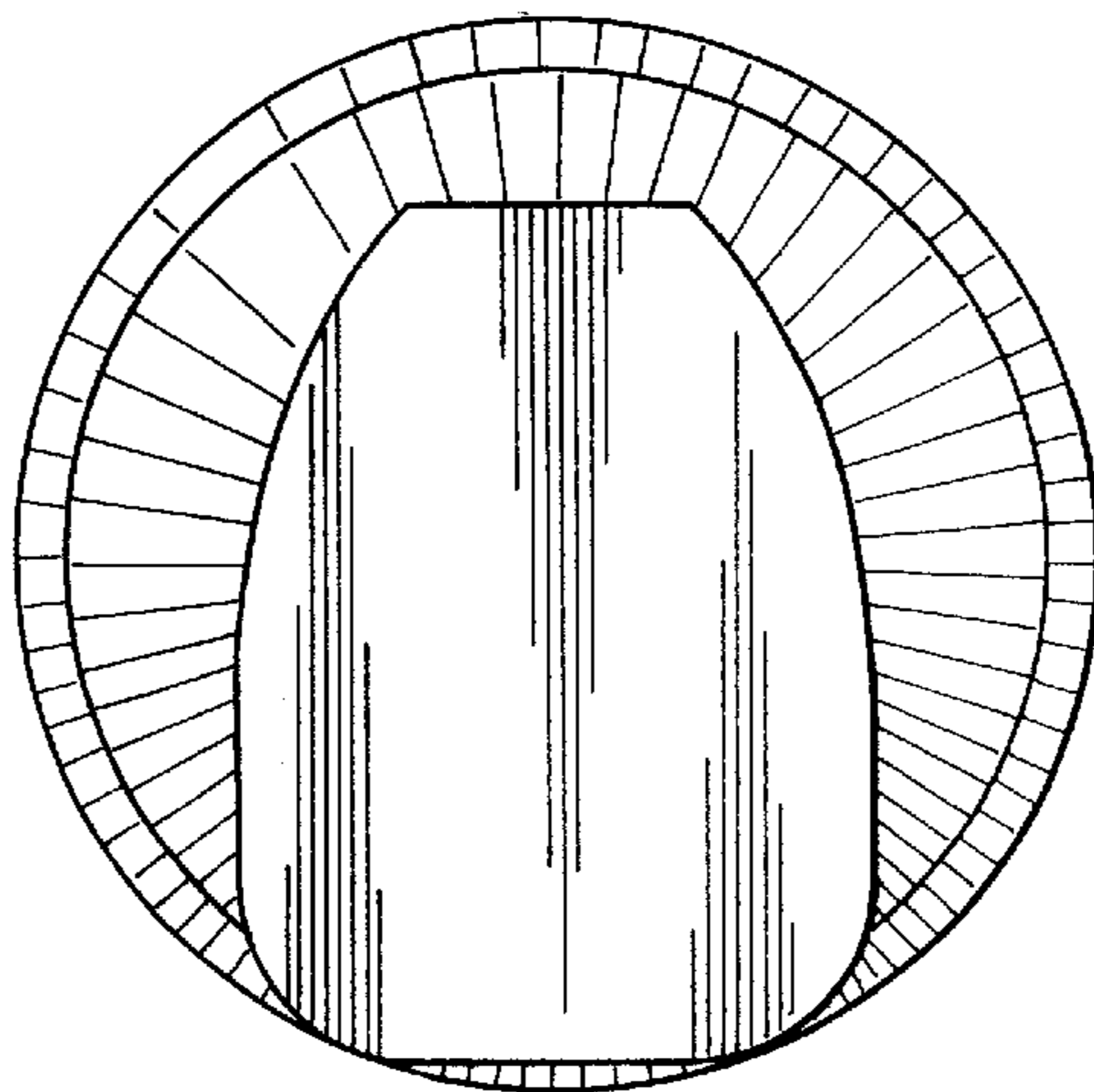


Fig. 3

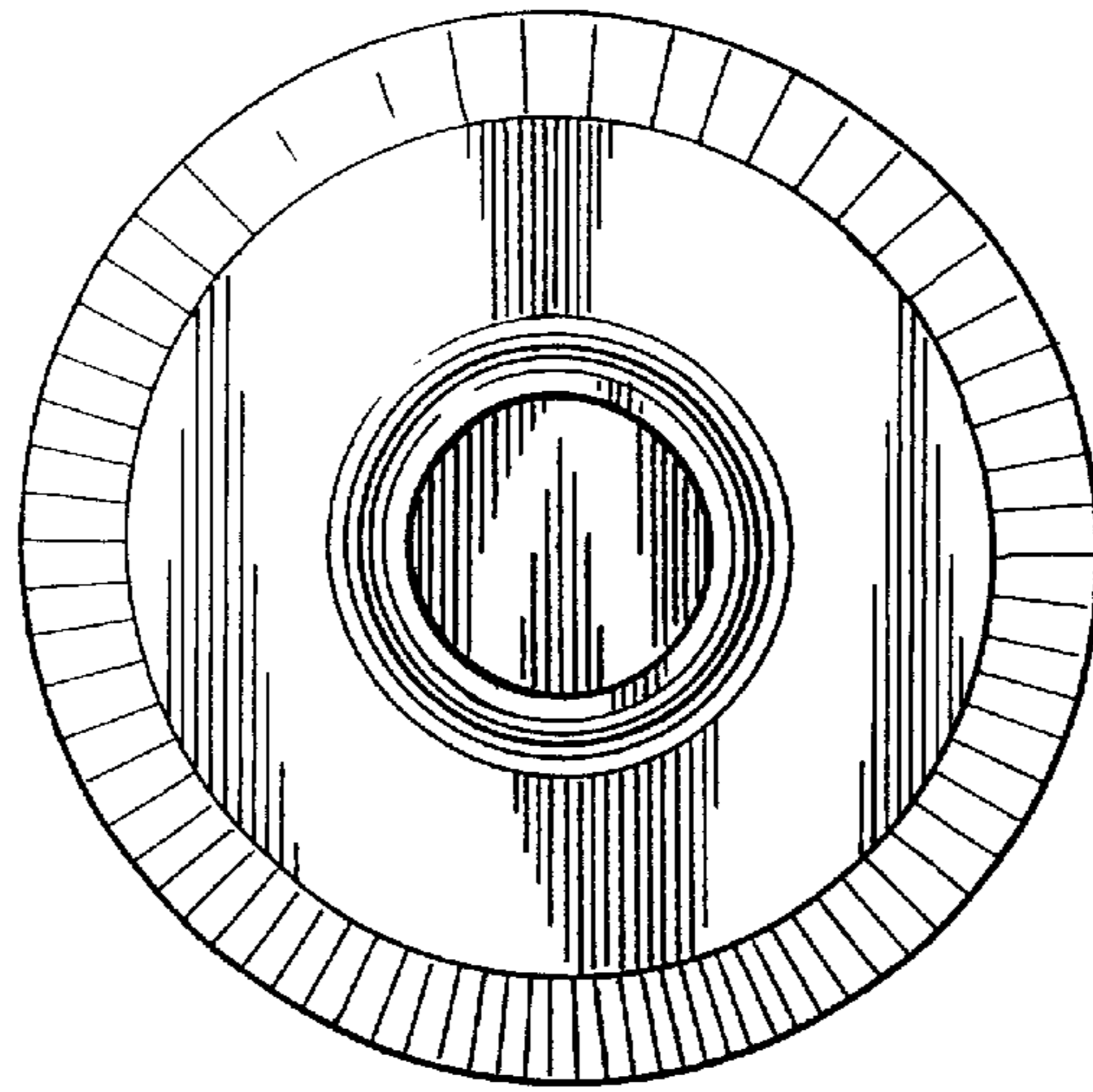


Fig. 4

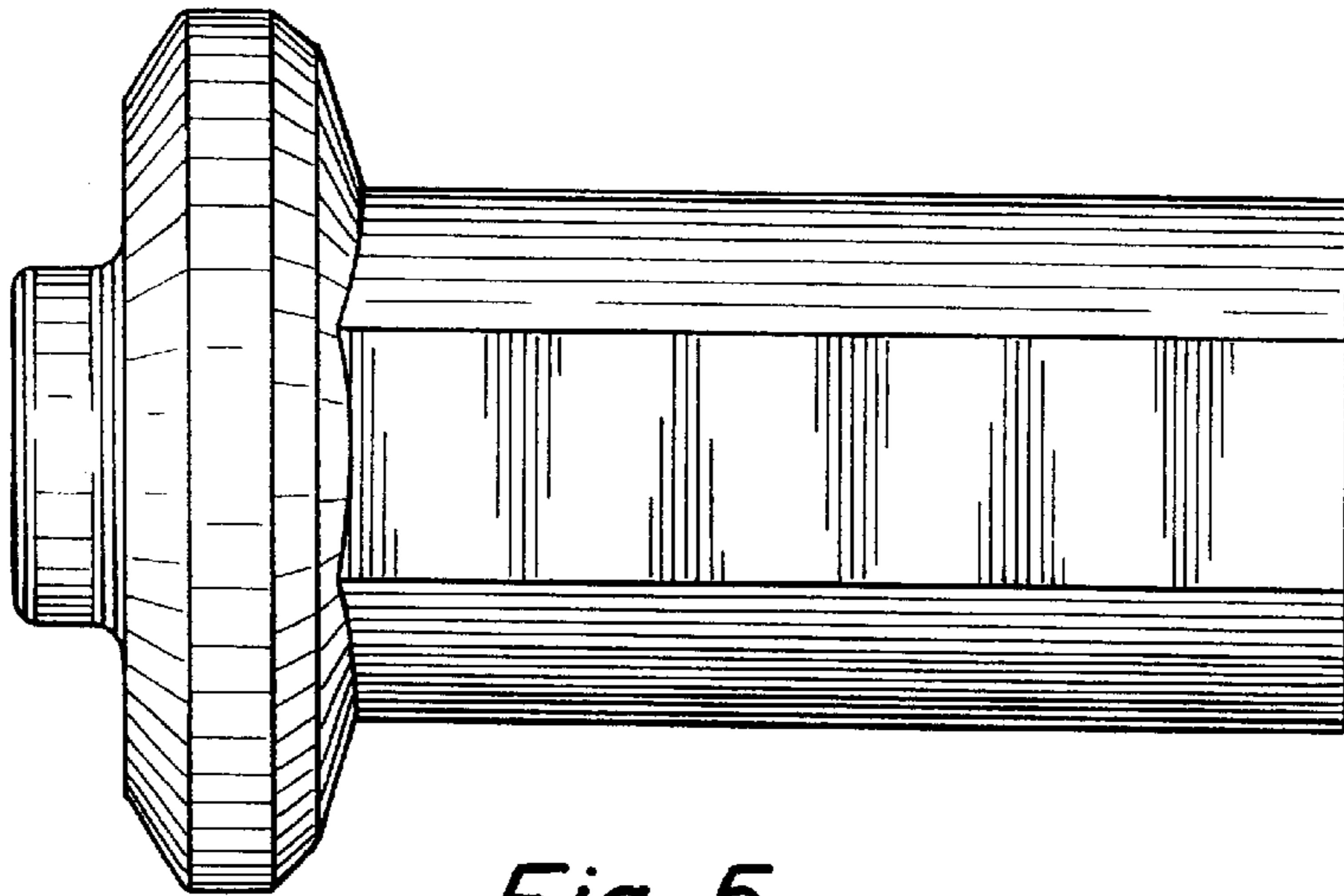


Fig. 5

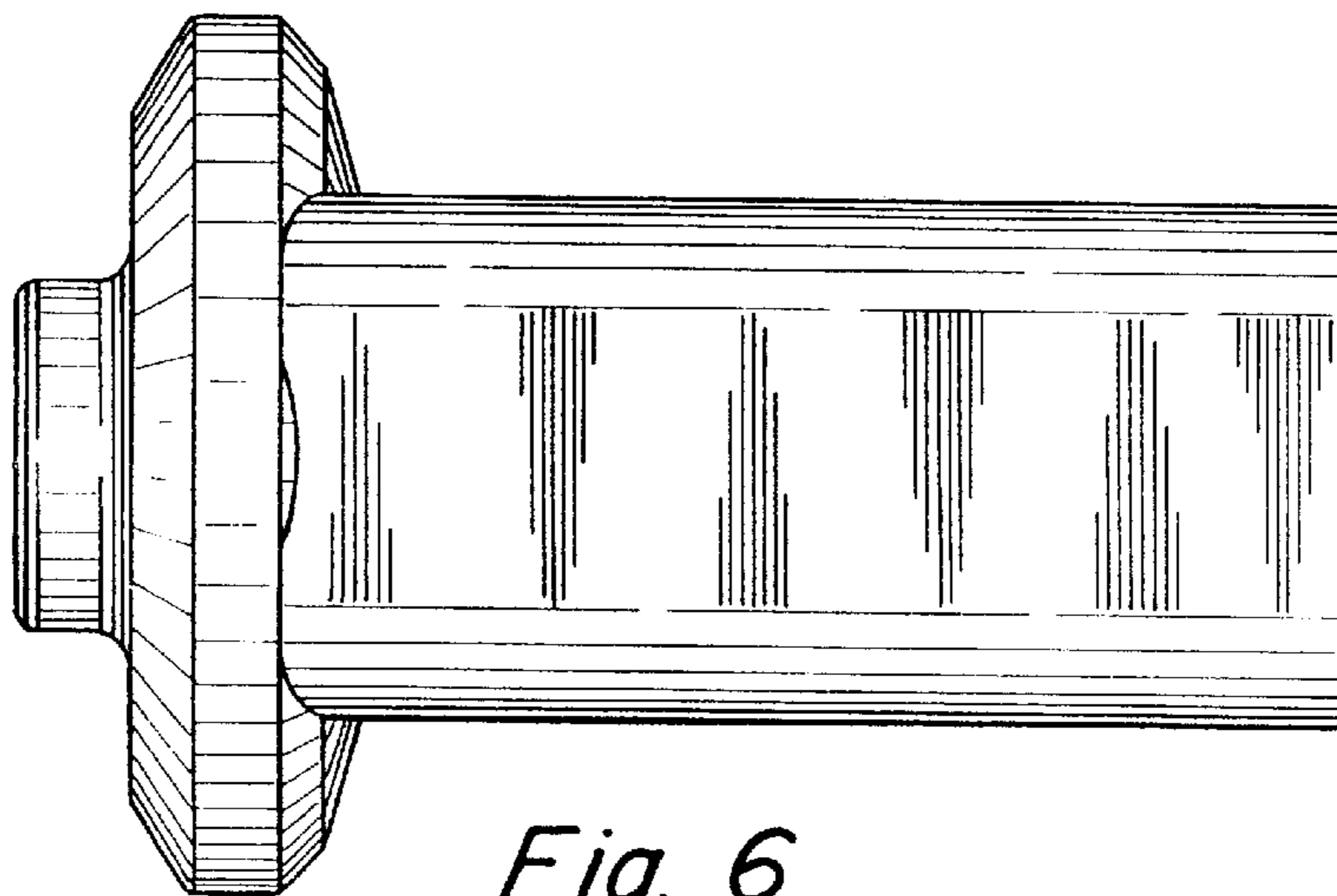


Fig. 6