



US00D446283S

(12) **United States Design Patent**
Wang

(10) **Patent No.:** **US D446,283 S**

(45) **Date of Patent:** **** Aug. 7, 2001**

(54) **SPRINKLER GUN**

(75) **Inventor:** **Gary Wang, Ontario, CA (US)**

(73) **Assignee:** **Aquastar Industries, Inc., Ontario, CA (US)**

(**) **Term:** **14 Years**

(21) **Appl. No.:** **29/130,492**

(22) **Filed:** **Oct. 4, 2000**

(51) **LOC (7) Cl.** **23-01**

(52) **U.S. Cl.** **D23/226**

(58) **Field of Search** **D23/213, 223, D23/226; 239/525-527**

(56) **References Cited**

U.S. PATENT DOCUMENTS

- D. 369,853 * 5/1996 Wang D23/223
- D. 373,814 * 9/1996 Wang D23/226
- D. 408,496 * 4/1999 Wang D23/226

- D. 431,070 * 9/2000 Hsieh D23/226
- D. 431,280 * 9/2000 Kuo D23/226

* cited by examiner

Primary Examiner—Robin V. Taylor

(74) *Attorney, Agent, or Firm*—Dougherty & Troxell

(57) **CLAIM**

The ornamental design for sprinkler gun, as shown and described.

DESCRIPTION

FIG. 1 is a perspective view of sprinkler gun showing my new design.

FIG. 2 is a front view thereof;

FIG. 3 is a rear view thereof;

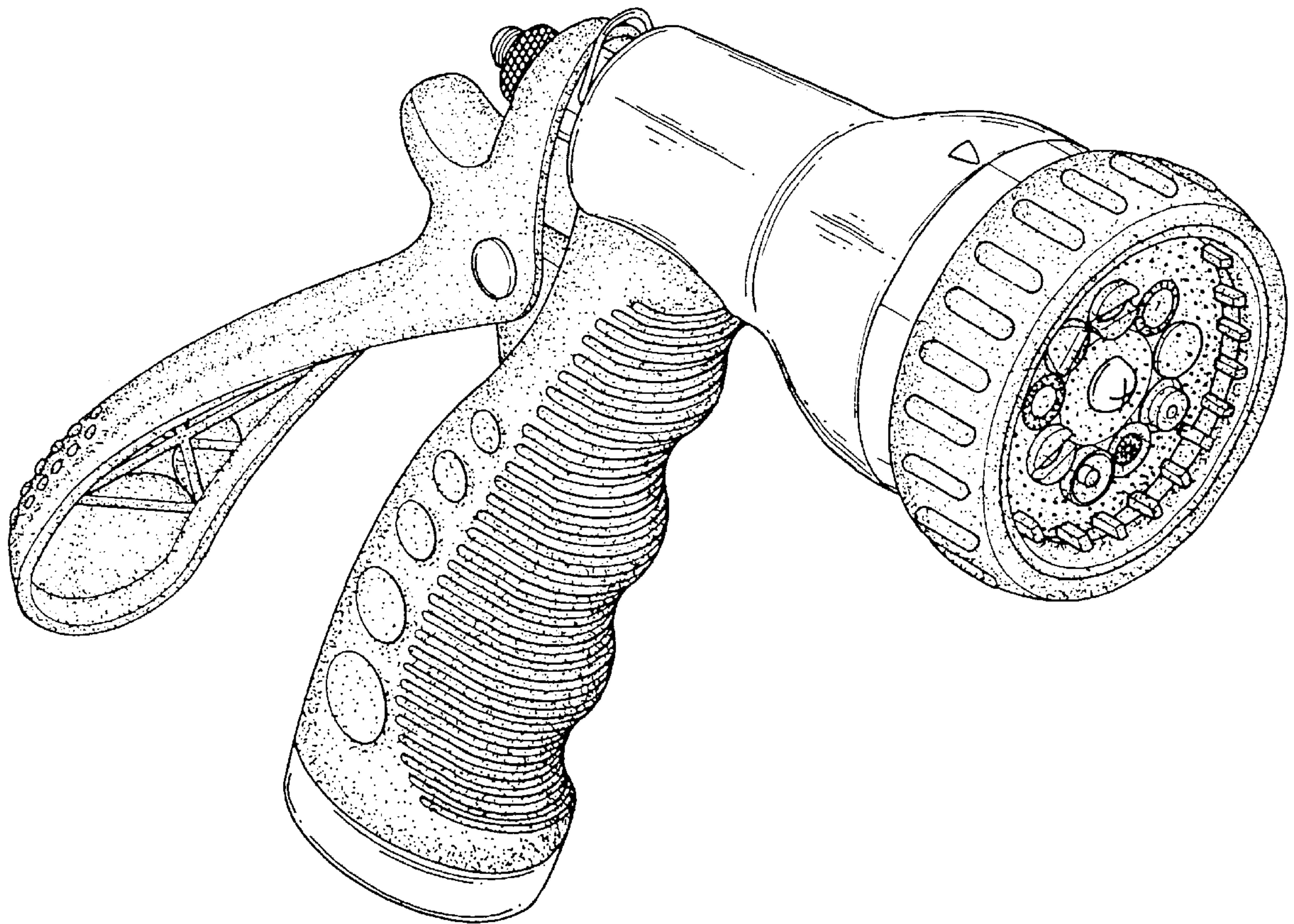
FIG. 4 is a left side view thereof,

FIG. 5 is a right side view thereof;

FIG. 6 is a top view thereof; and,

FIG. 7 is a bottom view thereof.

1 Claim, 6 Drawing Sheets



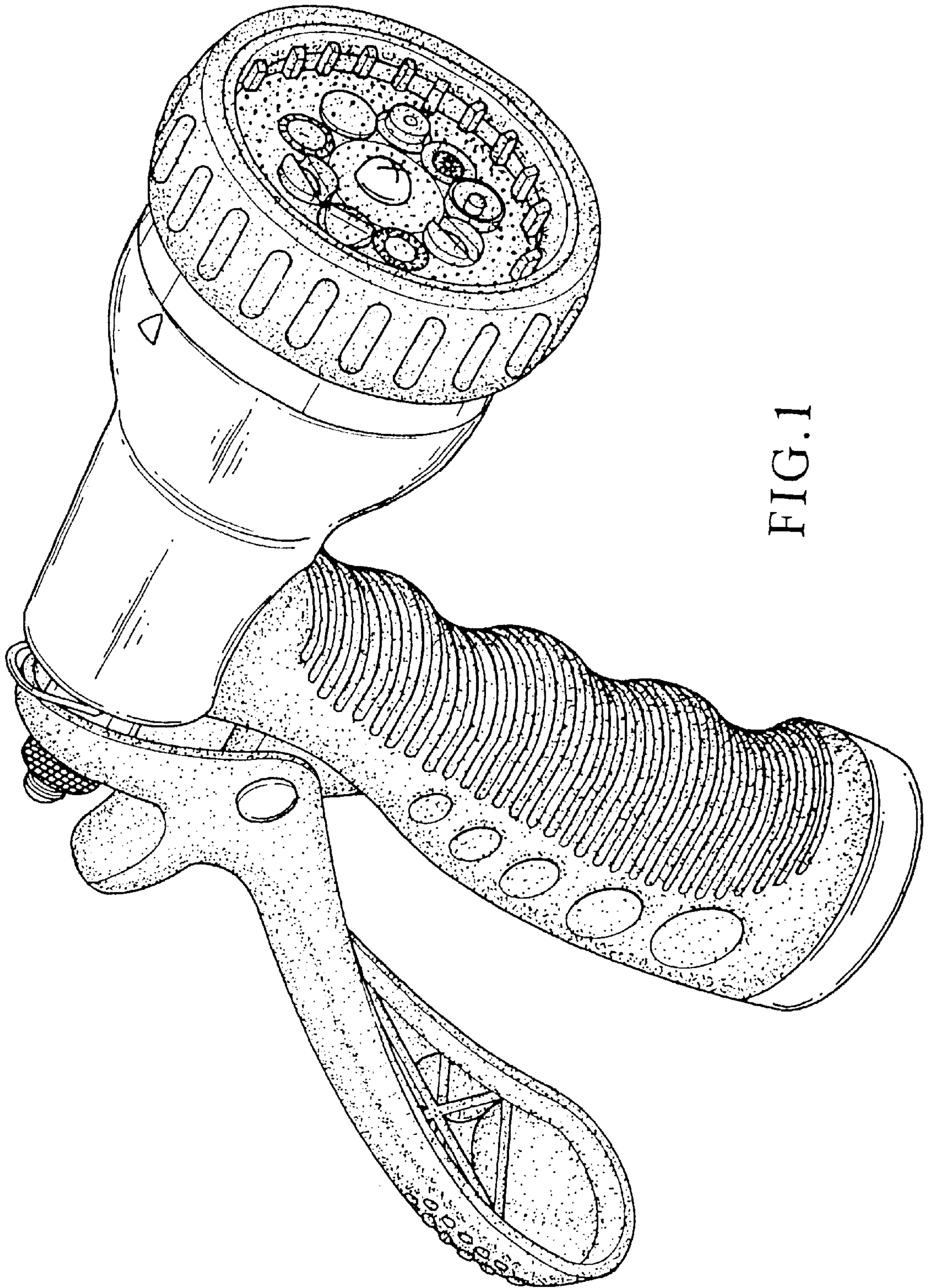


FIG. 1

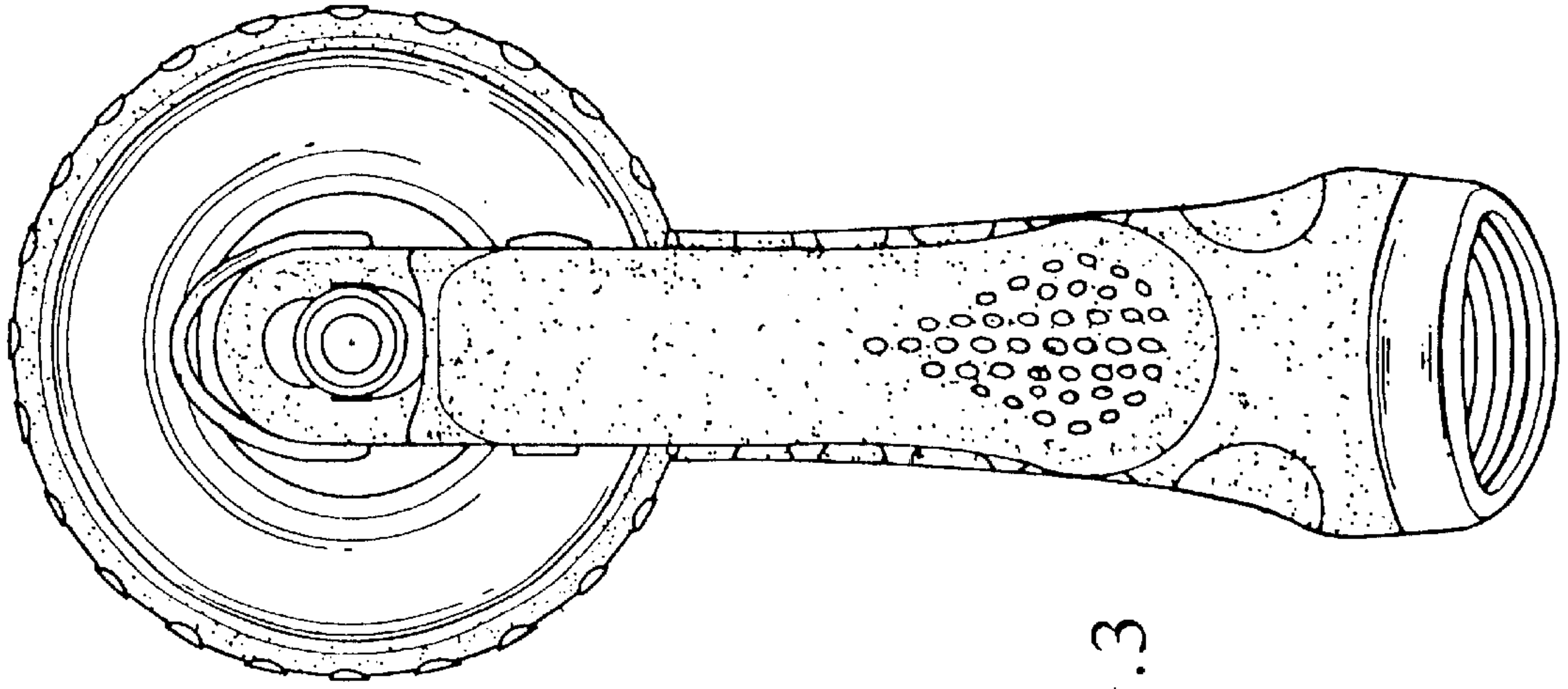


FIG. 3

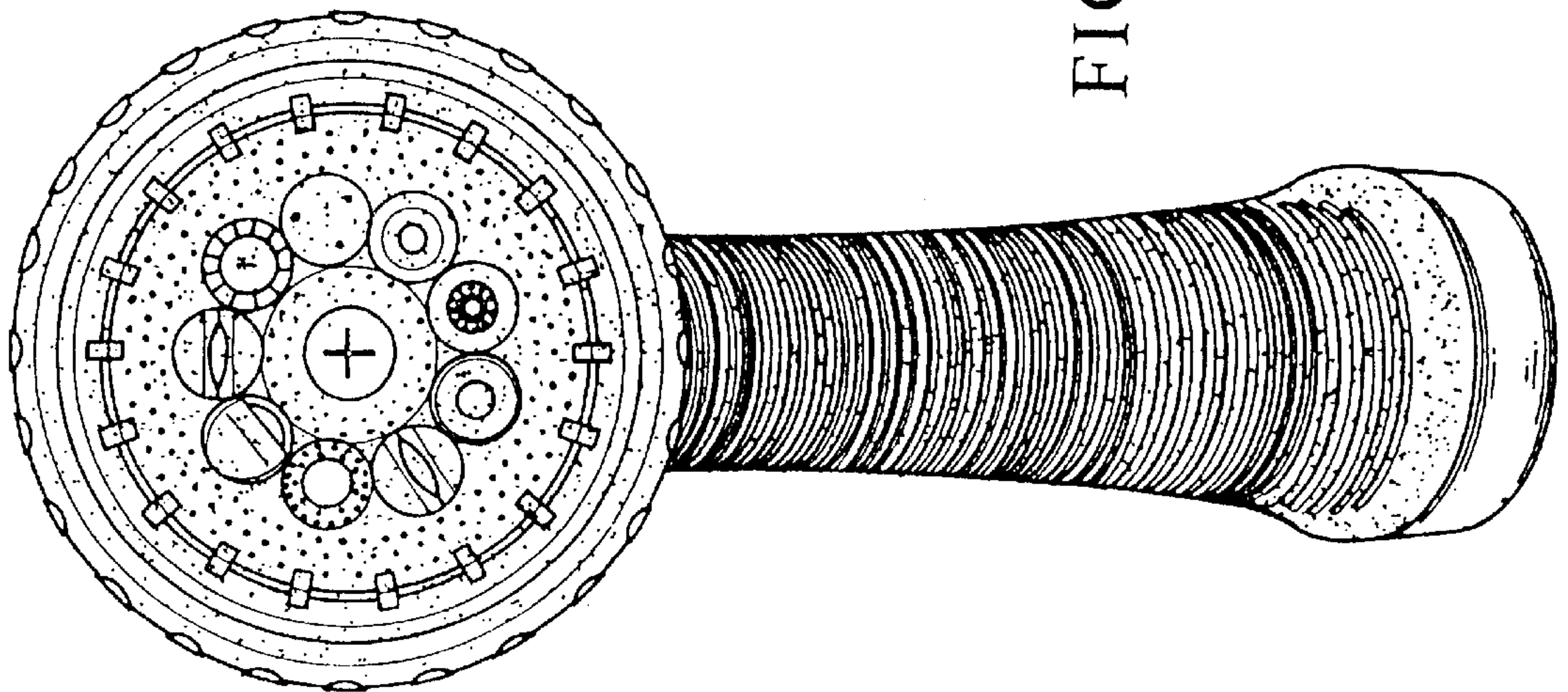


FIG. 2

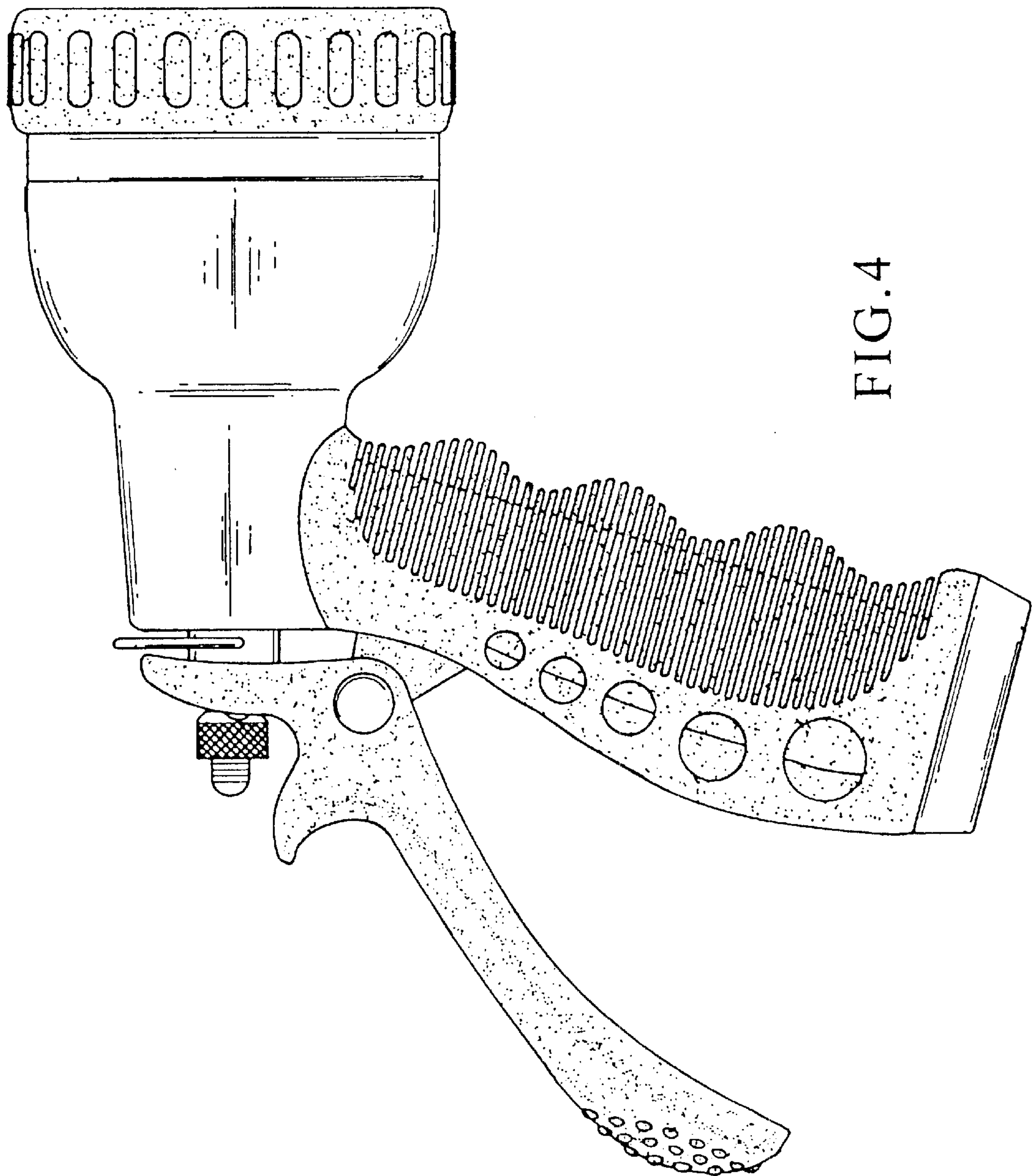


FIG. 4

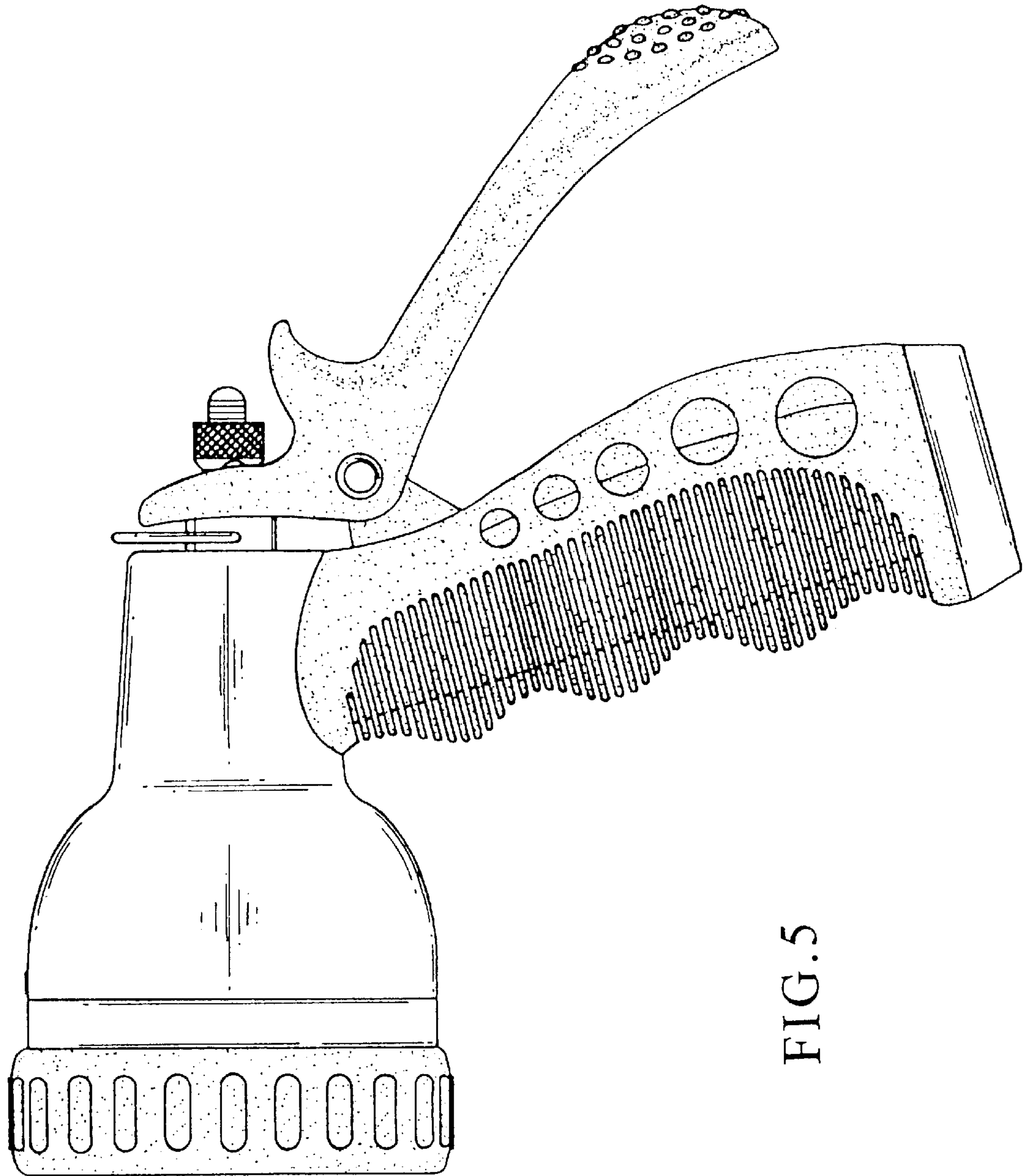


FIG. 5

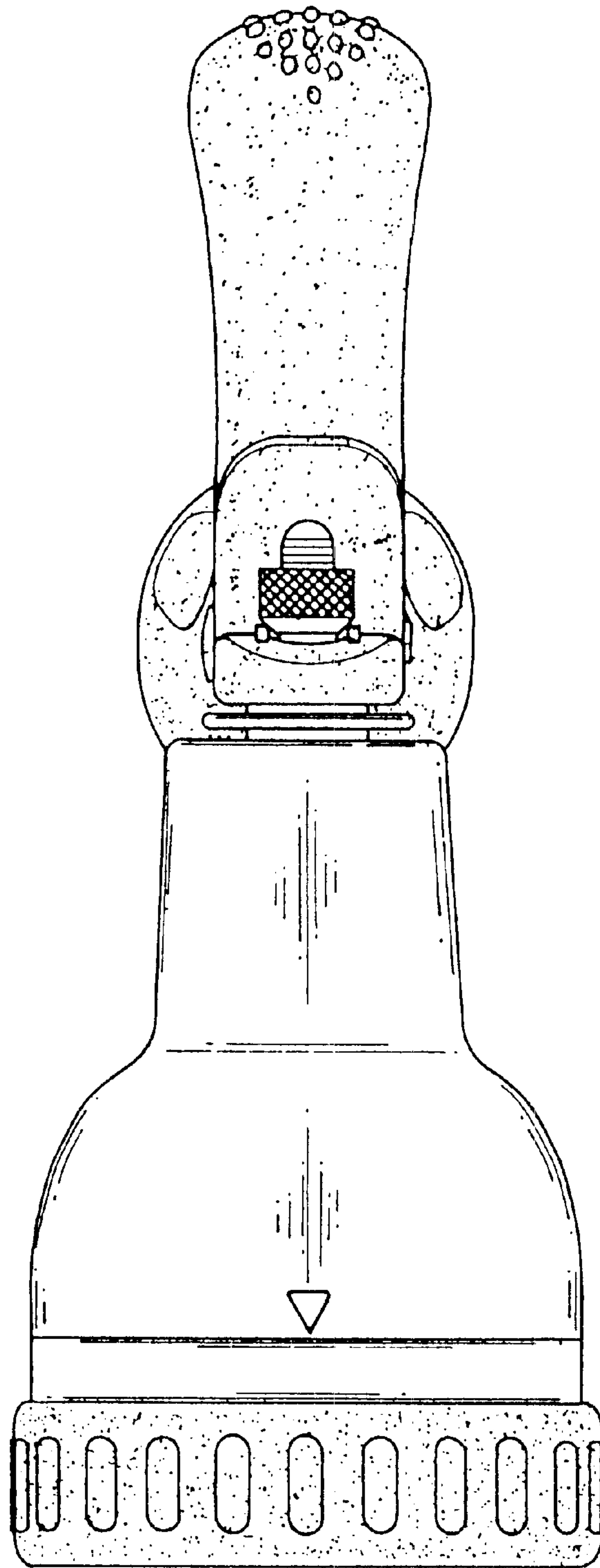


FIG. 6

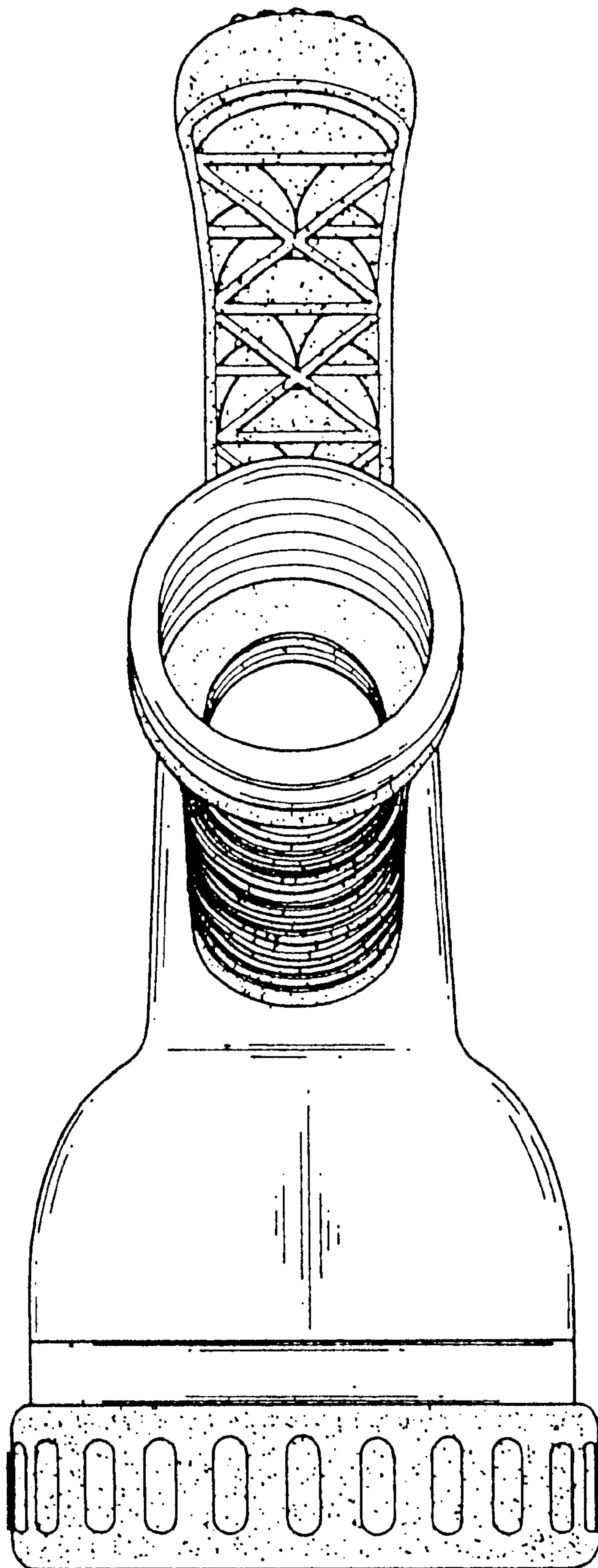


FIG. 7