



US00D446281S

(12) **United States Design Patent**
Fehl et al.

(10) **Patent No.: US D446,281 S**

(45) **Date of Patent: ** Aug. 7, 2001**

(54) **LUBRICATION GUN HOUSING**

(75) Inventors: **Robert J. Fehl; Richard R. Boyle,**
both of Milwaukee; **Chris N. Wright,**
Mequon; **Ronald D. Benson,** Colgate;
John Grosz, Waupun; **Timothy D.**
Killinger, Madison, all of WI (US)

(73) Assignee: **Badger Meter, Inc.,** Milwaukee, WI
(US)

(**) Term: **14 Years**

(21) Appl. No.: **29/123,790**

(22) Filed: **May 25, 2000**

(51) **LOC (7) Cl. 23-01**

(52) **U.S. Cl. D23/226; D8/14.1**

(58) **Field of Search D23/223, 226;**
D8/14.1; 141/206, 217, 208; 222/17, 71

(56) **References Cited**

U.S. PATENT DOCUMENTS

- D. 317,969 * 7/1991 Lambert D23/226
- D. 321,036 * 10/1991 Jacobs D23/226

- 4,572,255 * 2/1986 Rabinovich 141/217
- 5,267,592 * 12/1993 Kaplan et al. 141/387
- 5,505,234 * 4/1996 Simpson et al. 141/206
- 5,645,115 * 7/1997 Kesterman et al. 141/206
- 6,019,146 * 2/2000 Taylor 141/59
- 6,119,896 * 9/2000 Varini 222/17

* cited by examiner

Primary Examiner—Philip S. Hyder

(74) *Attorney, Agent, or Firm*—Quarles & Brady LLP

(57) **CLAIM**

The ornamental design for a lubrication gun housing, as shown and described.

DESCRIPTION

FIG. 1 is a perspective view of a lubrication gun housing showing our new design;
 FIG. 2 is a top plan view thereof;
 FIG. 3 is a right side elevational view thereof, the left side being a mirror image thereof;
 FIG. 4 is a bottom plan view thereof;
 FIG. 5 is an upside-down, head end view thereof; and,
 FIG. 6 is a tail end view showing our new design.

1 Claim, 3 Drawing Sheets

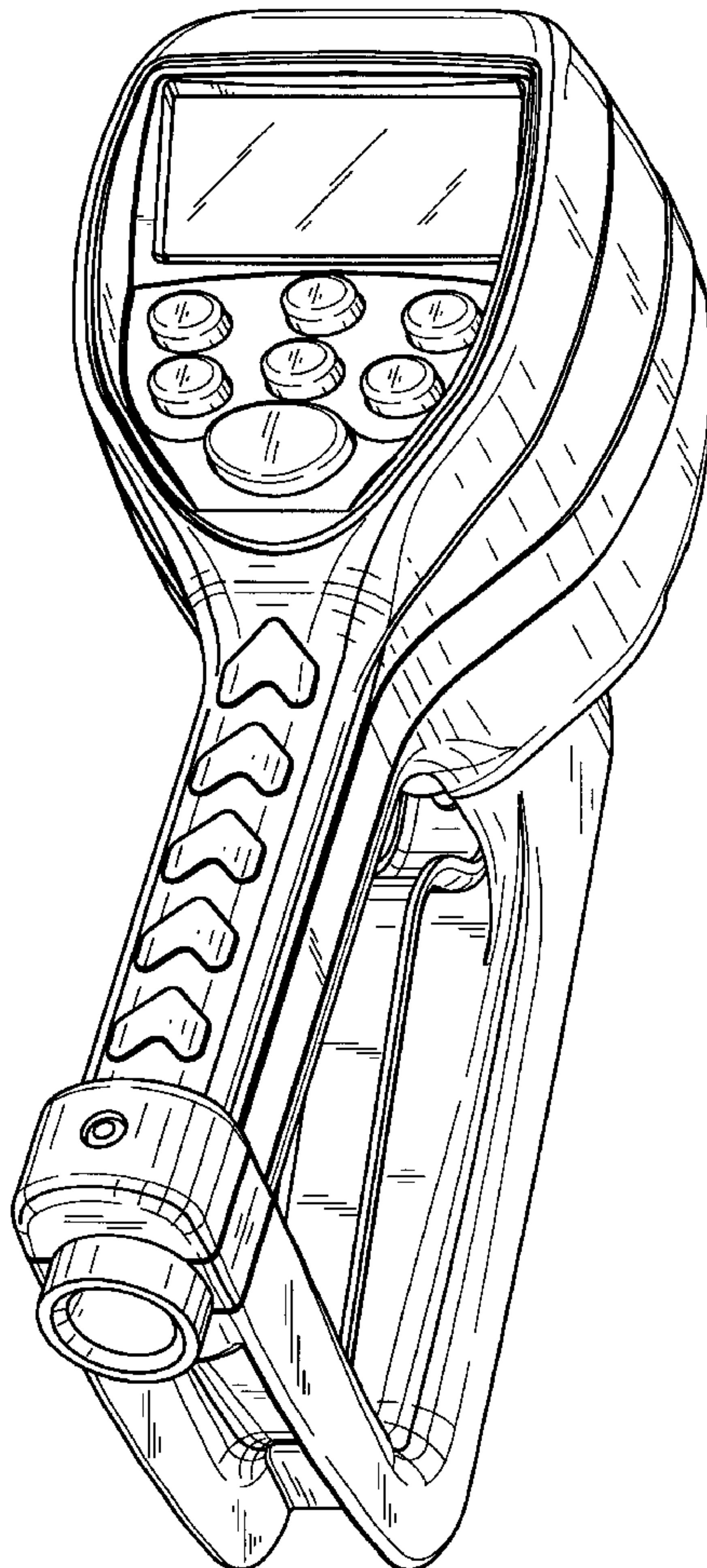


FIG. 1

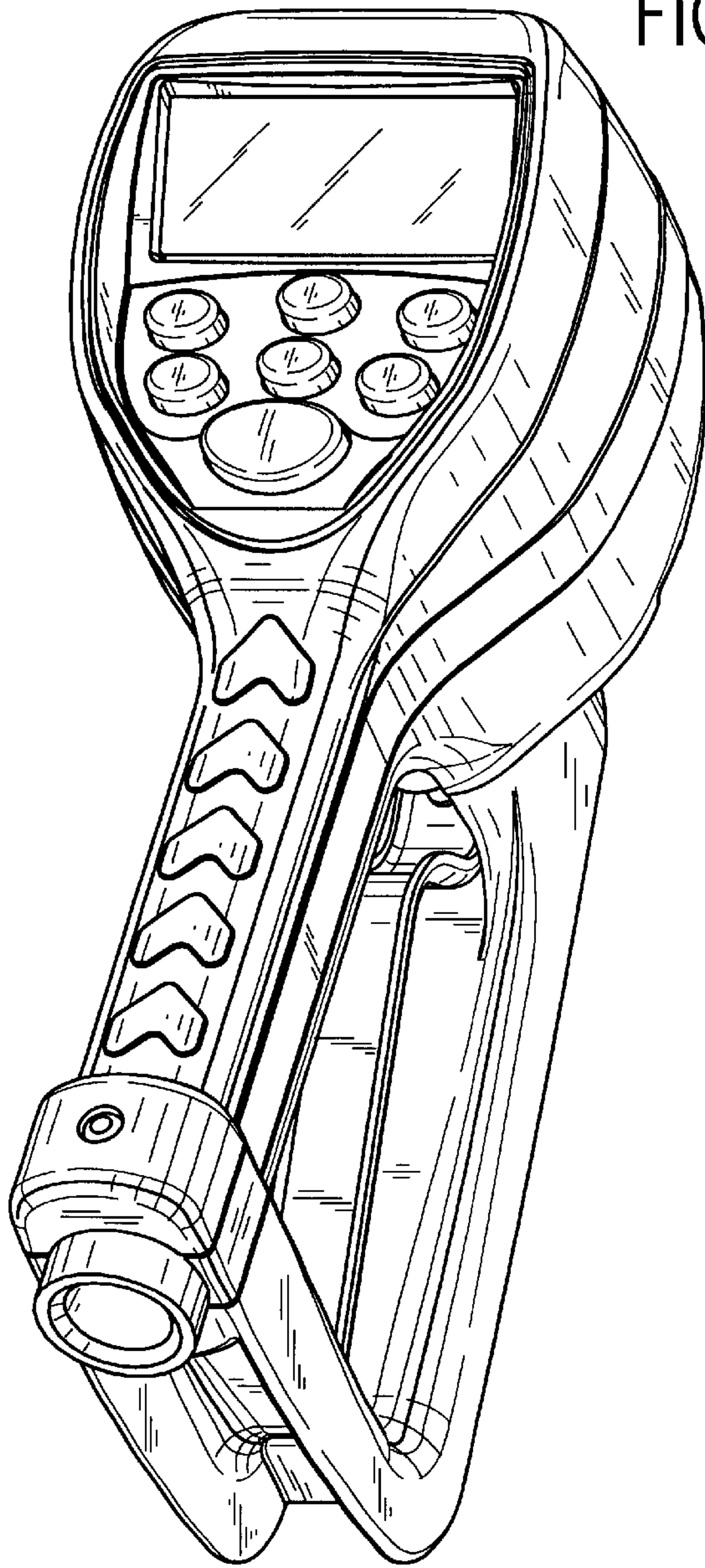


FIG. 2

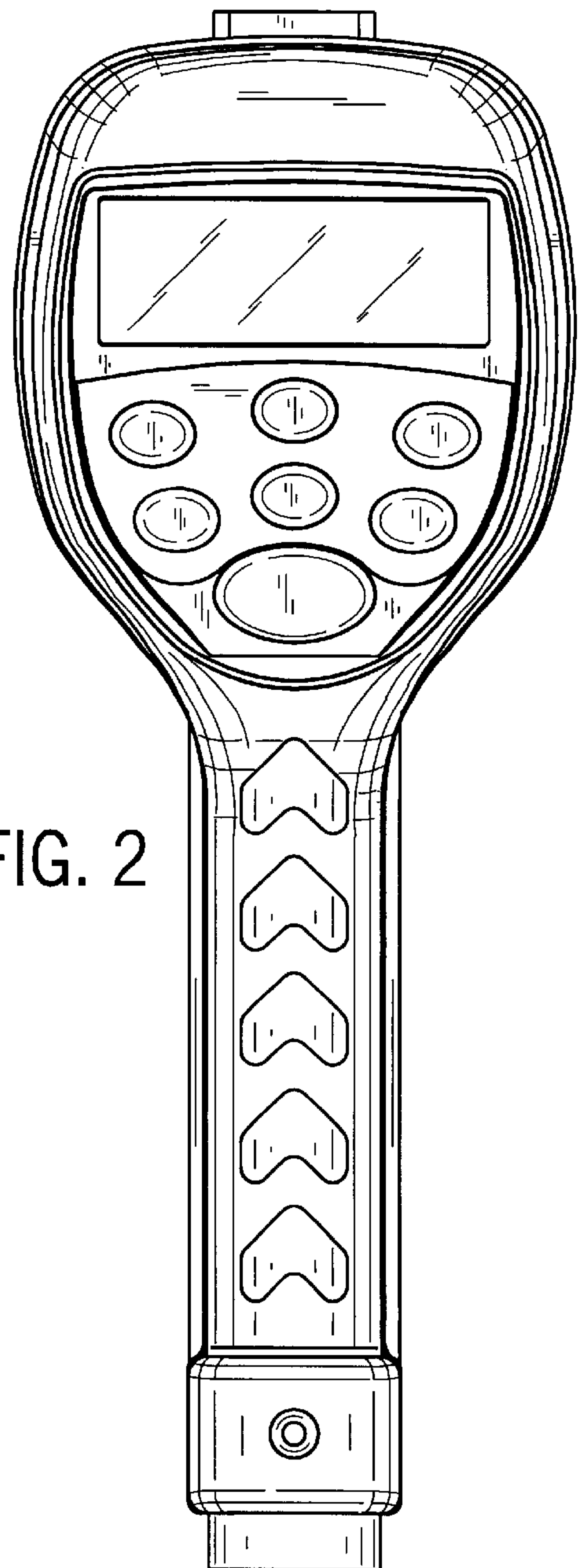


FIG. 3

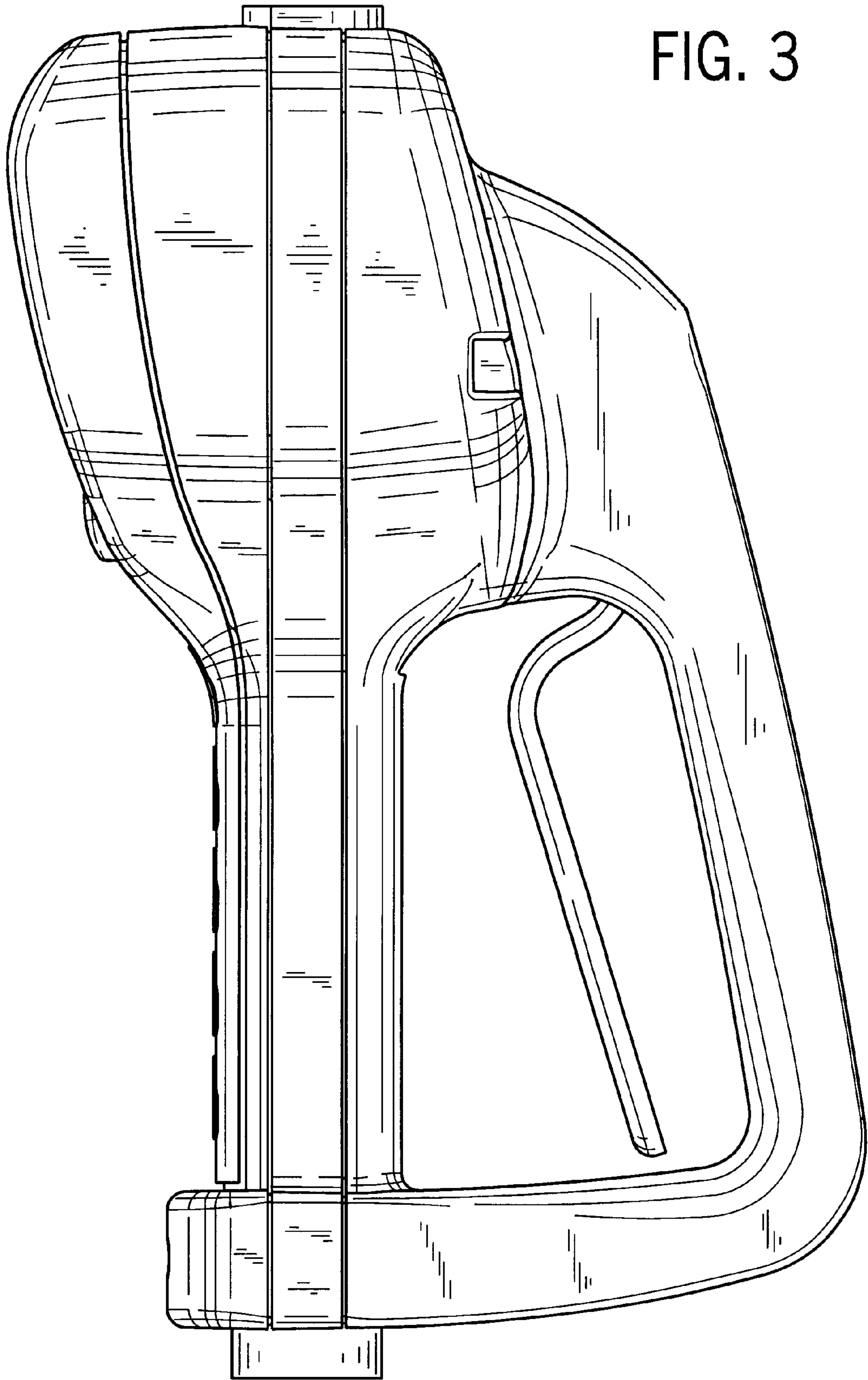


FIG. 4

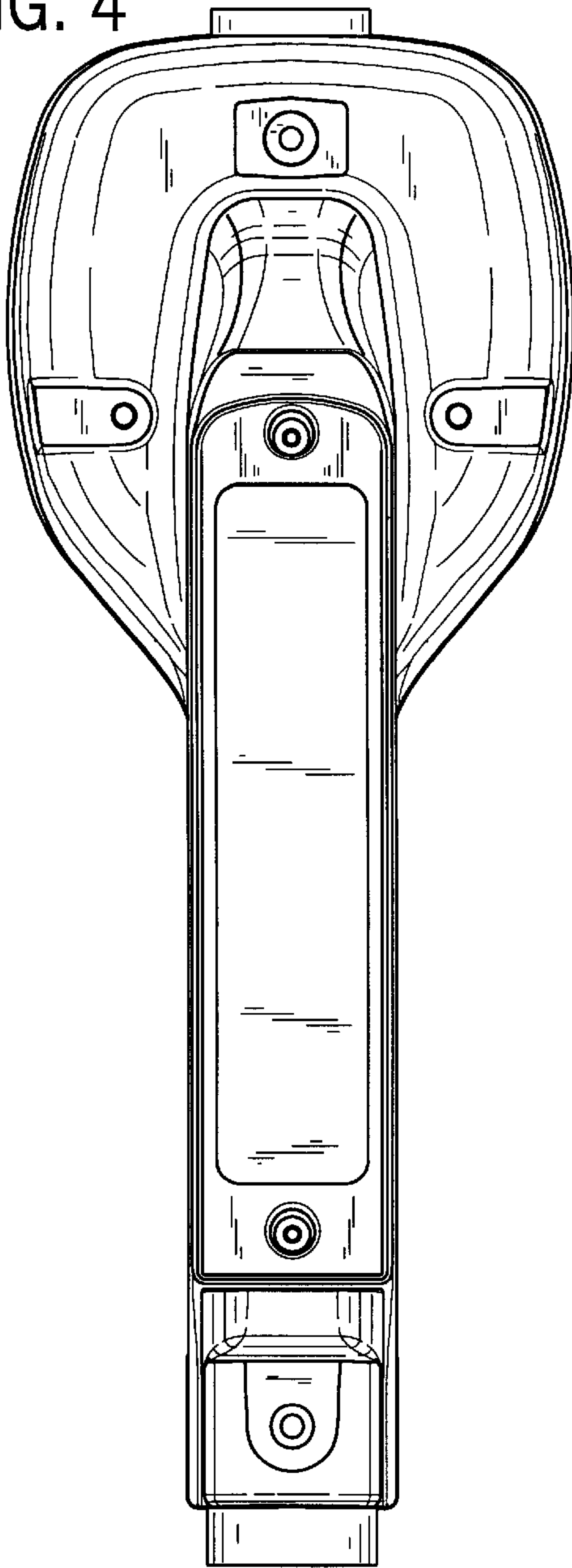


FIG. 5

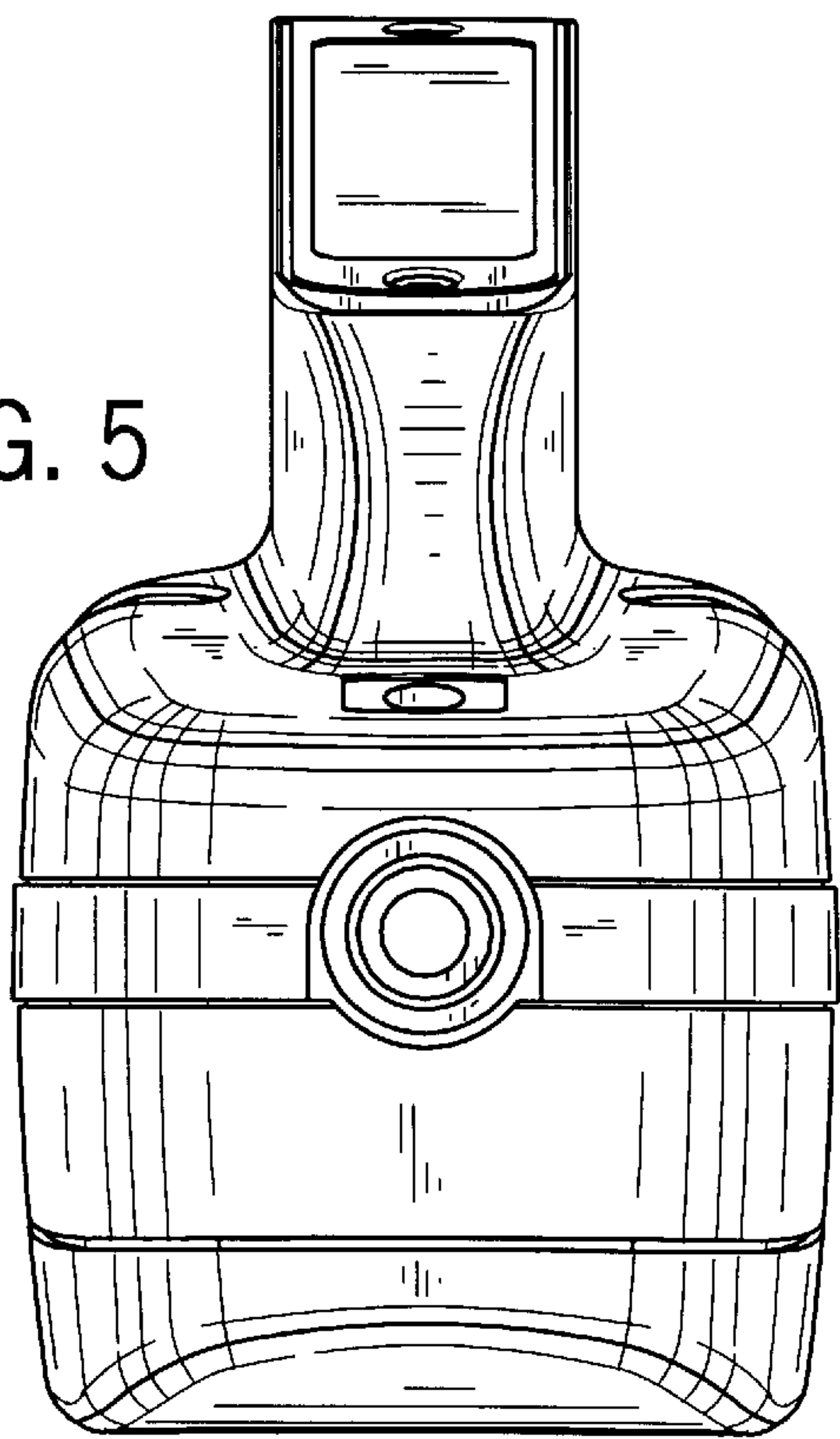


FIG. 6

