



US00D446280S

(12) **United States Design Patent**  
**Marriott**

(10) **Patent No.:** **US D446,280 S**

(45) **Date of Patent:** **\*\* Aug. 7, 2001**

- (54) **FISHING ROD HOLDER**
- (75) Inventor: **Steven D. Marriott**, Saint Joseph, MO (US)
- (73) Assignee: **Poehoeder, L.L.C.**, St. Joseph, MO (US)
- (\*\*) Term: **14 Years**

3,524,572	8/1970	Hall	.....	224/42.1
4,120,436	10/1978	Buzch	.....	211/64
4,582,203	* 4/1986	Davis	.....	211/70.8
5,094,351	3/1992	Barney	.....	211/70.8
5,544,797	8/1996	Silva	.....	224/311
5,657,883	* 8/1997	Badia	.....	211/70.8
5,676,261	* 10/1997	Baughman et al.	.....	211/70
5,803,519	9/1998	Daigle	.....	294/159

\* cited by examiner

- (21) Appl. No.: **29/130,626**
- (22) Filed: **Oct. 6, 2000**

*Primary Examiner*—Catherine R. Oliver  
(74) *Attorney, Agent, or Firm*—Stephen R. Greiner

- (51) **LOC (7) Cl.** ..... **22-05**
- (52) **U.S. Cl.** ..... **D22/147**
- (58) **Field of Search** ..... D22/147, 148, D22/134, 199; 43/21.2, 15; 248/156, 121, 505; D6/552, 553; 224/922; 211/60.1, 70.8, 64-65, 68, 70.2

(57) **CLAIM**

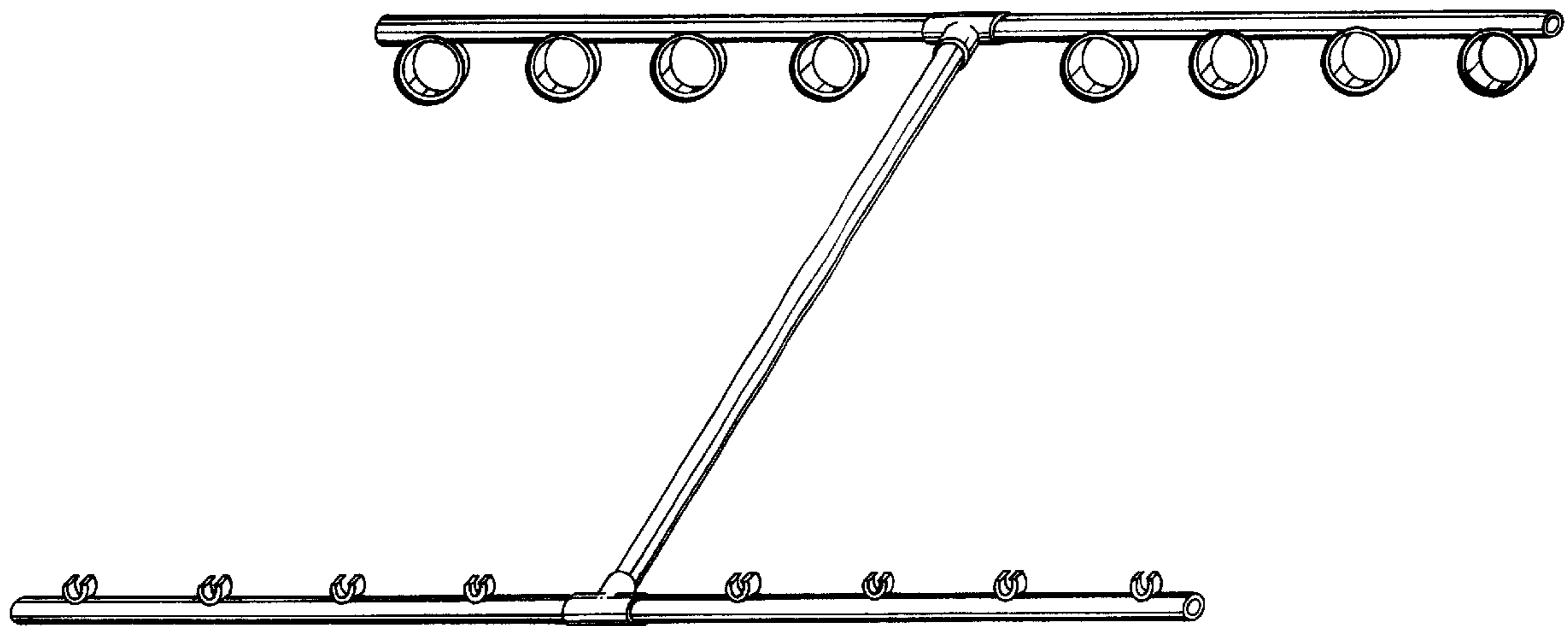
The ornamental design for a fishing rod holder, as shown and described.

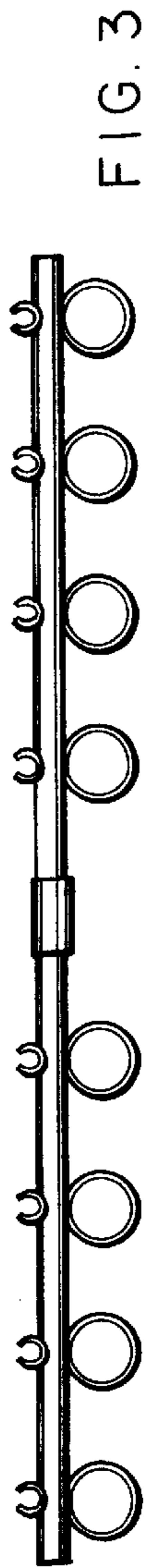
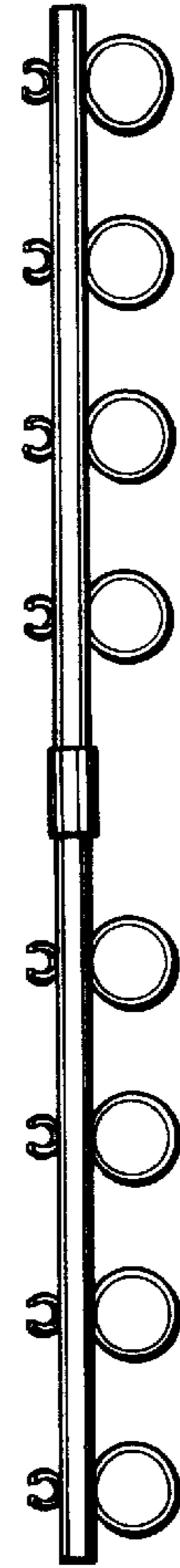
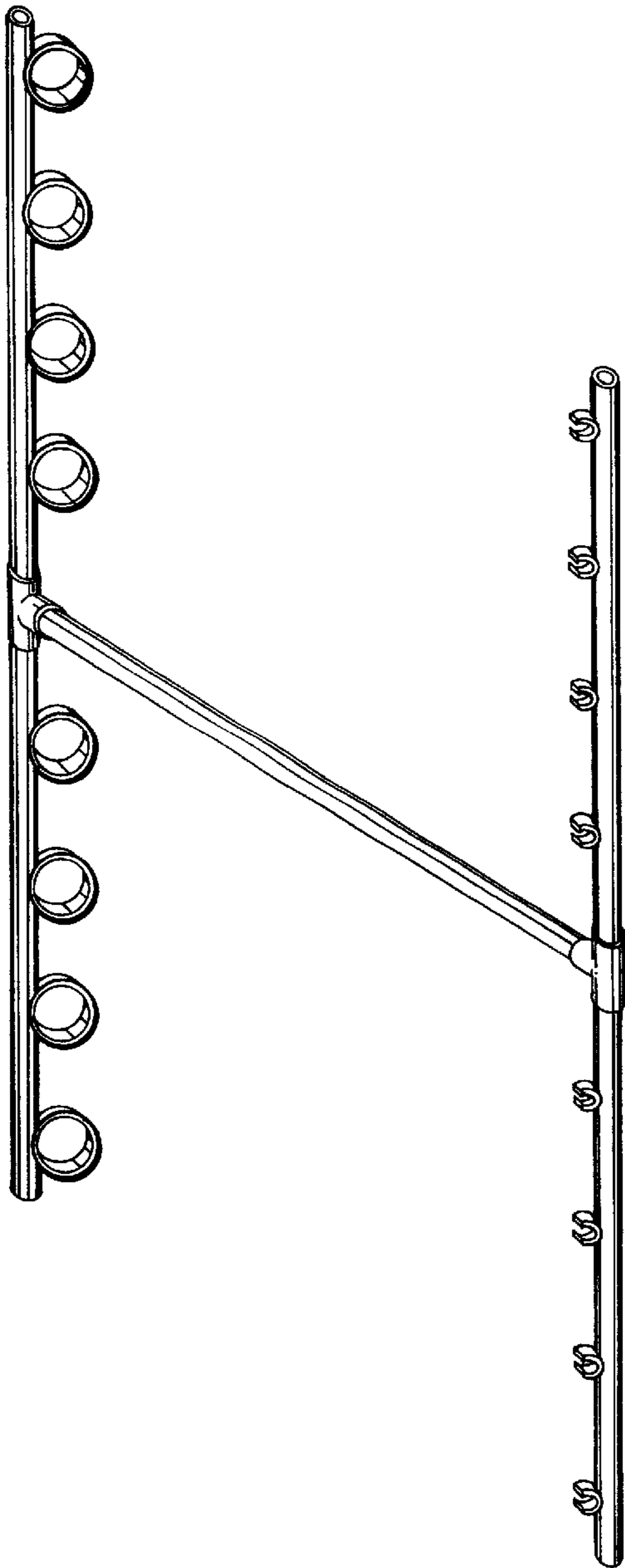
**DESCRIPTION**

FIG. 1 is a perspective view of a fishing rod holder showing my new design;  
 FIG. 2 is a rear elevational view thereof;  
 FIG. 3 is a front elevational view thereof;  
 FIG. 4 is a right side elevational view with the left side being a mirror image thereof;  
 FIG. 5 is a top view thereof; and,  
 FIG. 6 is a bottom view thereof.

- (56) **References Cited**
- U.S. PATENT DOCUMENTS
- D. 372,956 \* 8/1996 Mills ..... D22/147
- D. 378,482 \* 3/1997 Hall, Sr. et al. .... D6/552
- D. 394,575 \* 5/1998 Mikloczak et al. .... D6/552
- 2,854,147 9/1958 Derr ..... 211/60
- 3,155,299 11/1964 Horne et al. .... 224/42.1

**1 Claim, 2 Drawing Sheets**





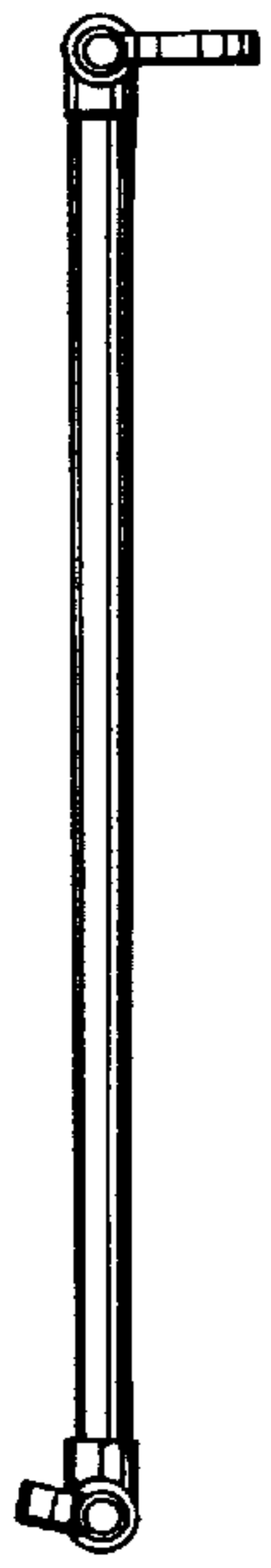


FIG. 4

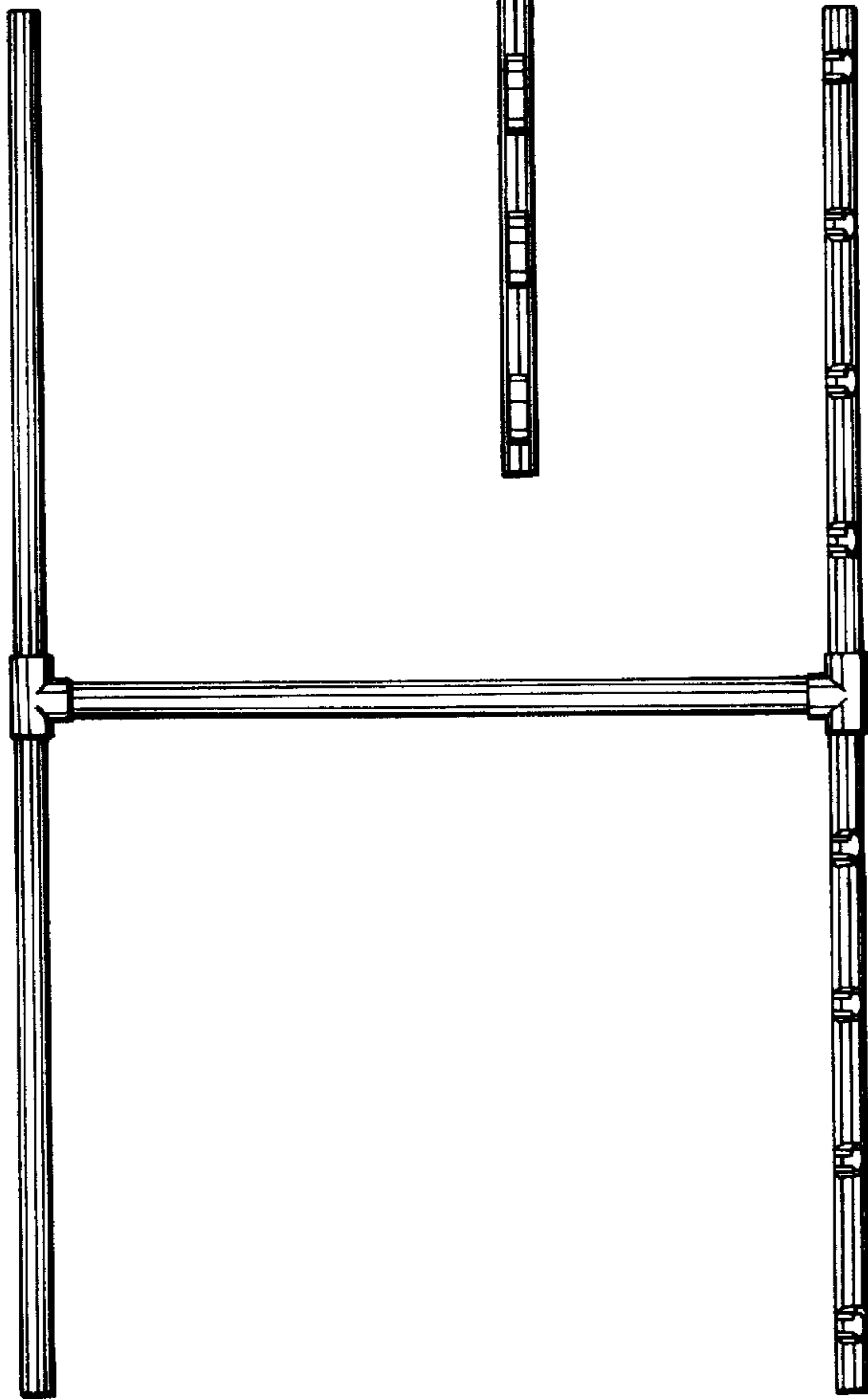


FIG. 5

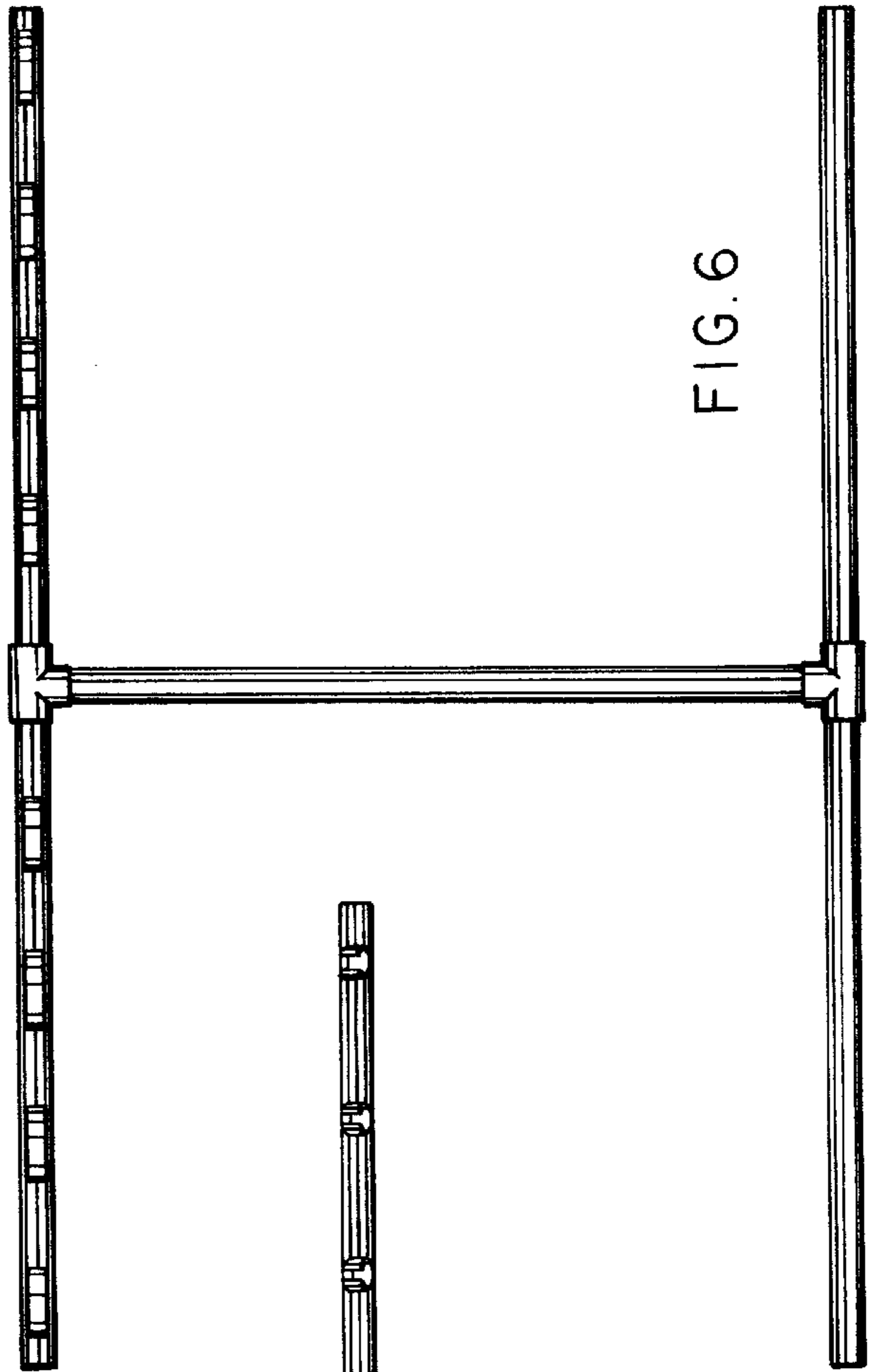


FIG. 6