



US00D446275S

(12) **United States Design Patent**  
**Murrey**

(10) **Patent No.:** **US D446,275 S**

(45) **Date of Patent:** **\*\* Aug. 7, 2001**

(54) **TONGUE AND GROOVE WOOD COVERED  
OUTDOOR POOL TABLE**

3,743,288 \* 7/1973 Danklefsen ..... 473/2  
3,881,727 \* 5/1975 Olson ..... 473/4

(76) **Inventor:** **Patrick Murrey, 25701 Weston Dr.,  
Laguna Niguel, CA (US) 92677**

(\*\*) **Term:** **14 Years**

\* cited by examiner

*Primary Examiner*—Prabhakar Deshmukh  
(74) *Attorney, Agent, or Firm*—Fulwider Patton Lee &  
Utecht, LLP

(21) **Appl. No.:** **29/128,223**

(22) **Filed:** **Aug. 21, 2000**

(57) **CLAIM**

The ornamental design for tongue and groove wood covered outdoor pool table, as shown and described.

(51) **LOC (7) Cl.** ..... **06-03**

(52) **U.S. Cl.** ..... **D21/784**

(58) **Field of Search** ..... D21/783, 784,  
D21/782; 473/1, 4, 6, 7, 28, 29, 21

**DESCRIPTION**

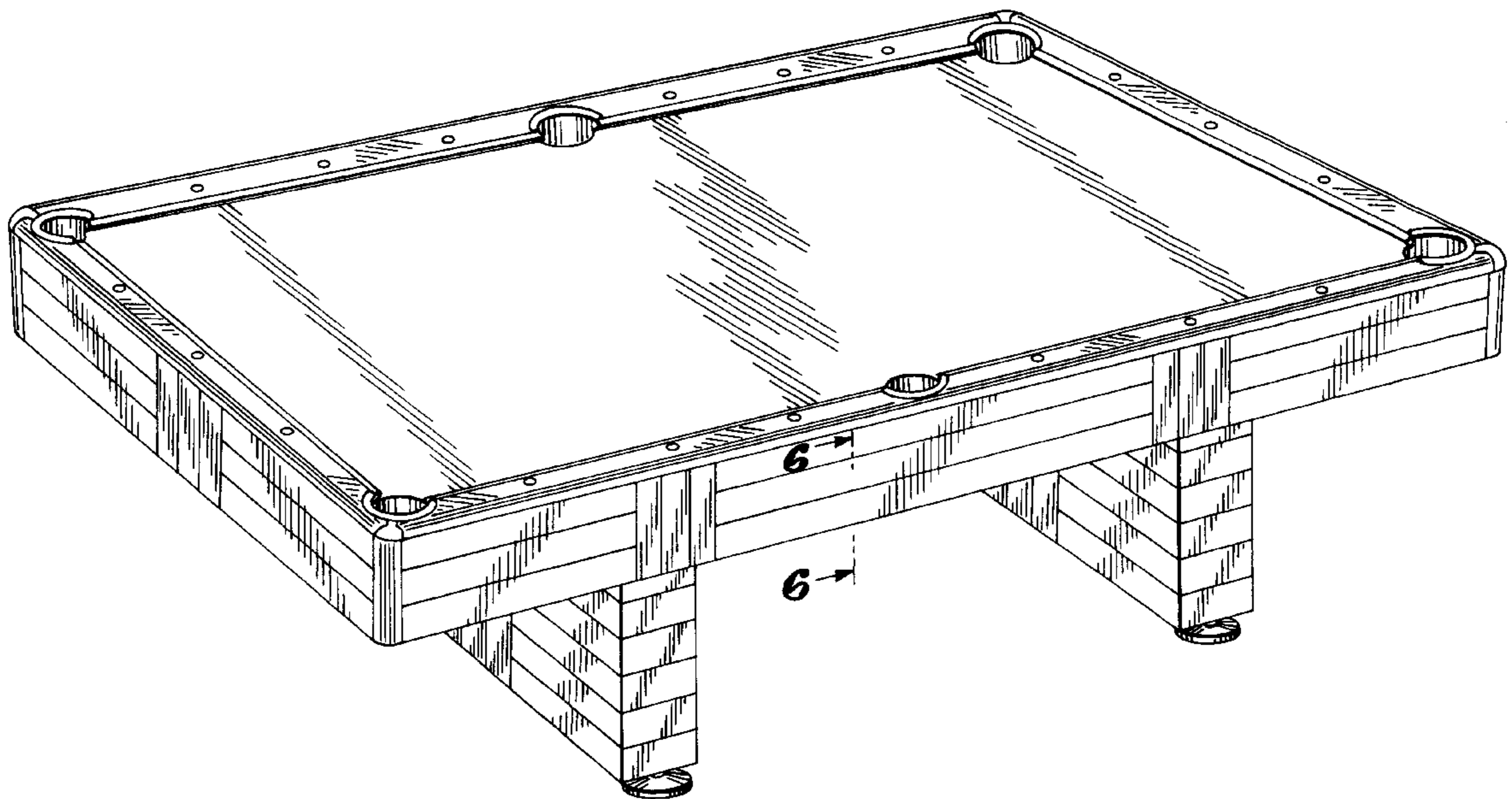
FIG. 1 is a perspective view showing my new design;  
FIG. 2 is a top plan view thereof in enlarged scale;  
FIG. 3 is a front view thereof;  
FIG. 4 is a right-hand view thereof, the left-hand view being  
in mirror image;  
FIG. 5 is a bottom view thereof in enlarged scale; and,  
FIG. 6 is a partial sectional view in enlarged scale taken  
along the line 6—6 of FIG. 1.

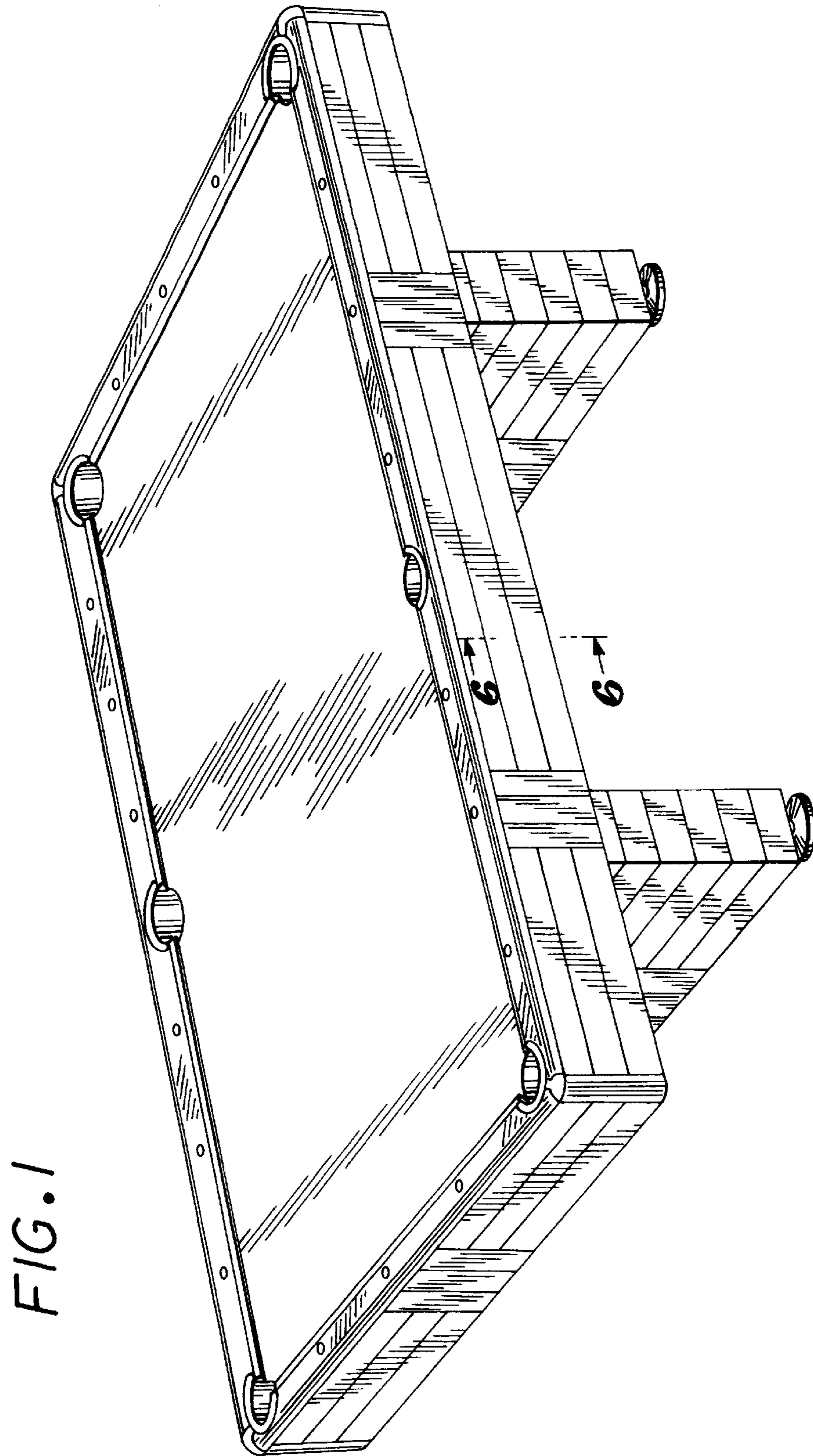
(56) **References Cited**

**U.S. PATENT DOCUMENTS**

- D. 213,297 \* 2/1969 Porter ..... D21/784
- D. 333,690 \* 3/1993 McKenzie ..... D21/784
- D. 348,916 \* 7/1994 Powers ..... D21/784
- D. 408,487 \* 4/1999 McCormick et al. .... D21/784

**1 Claim, 5 Drawing Sheets**





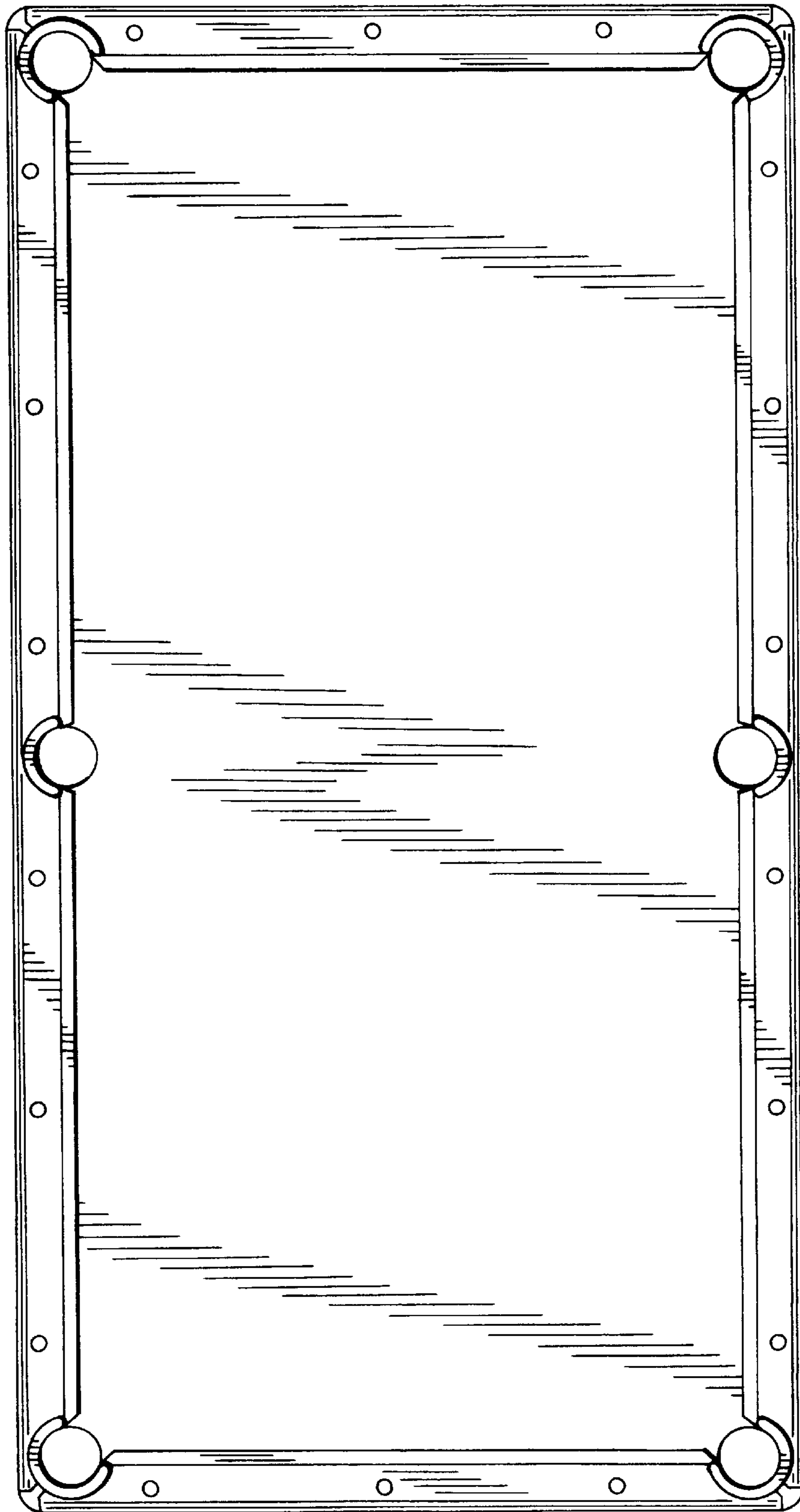


FIG. 2

FIG. 3

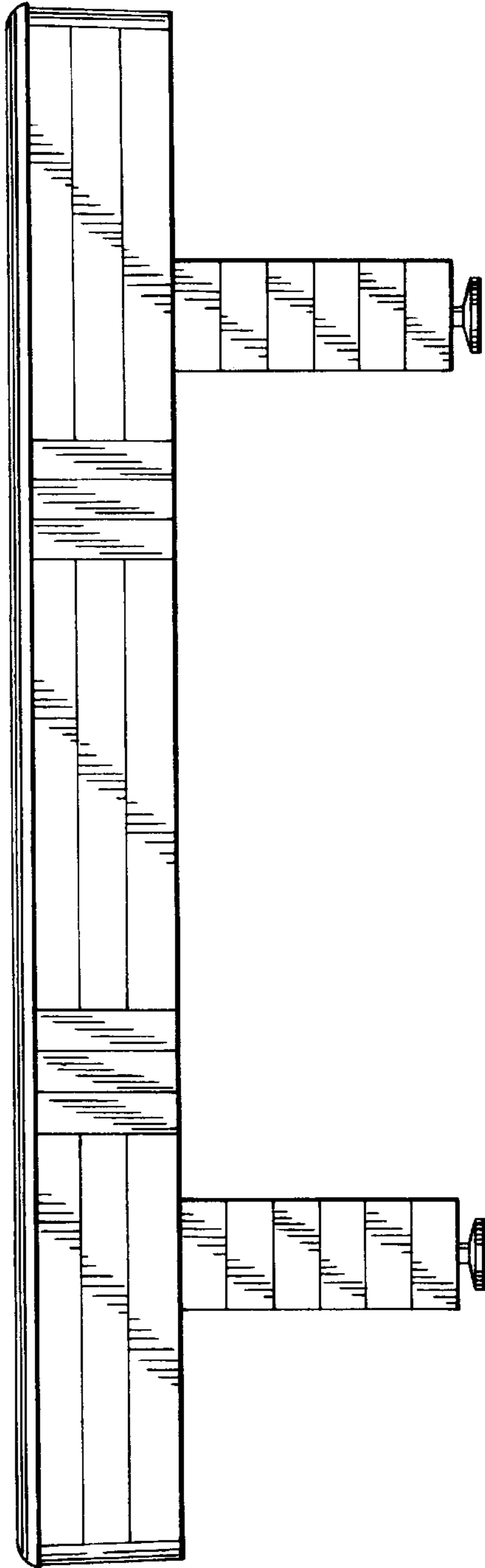
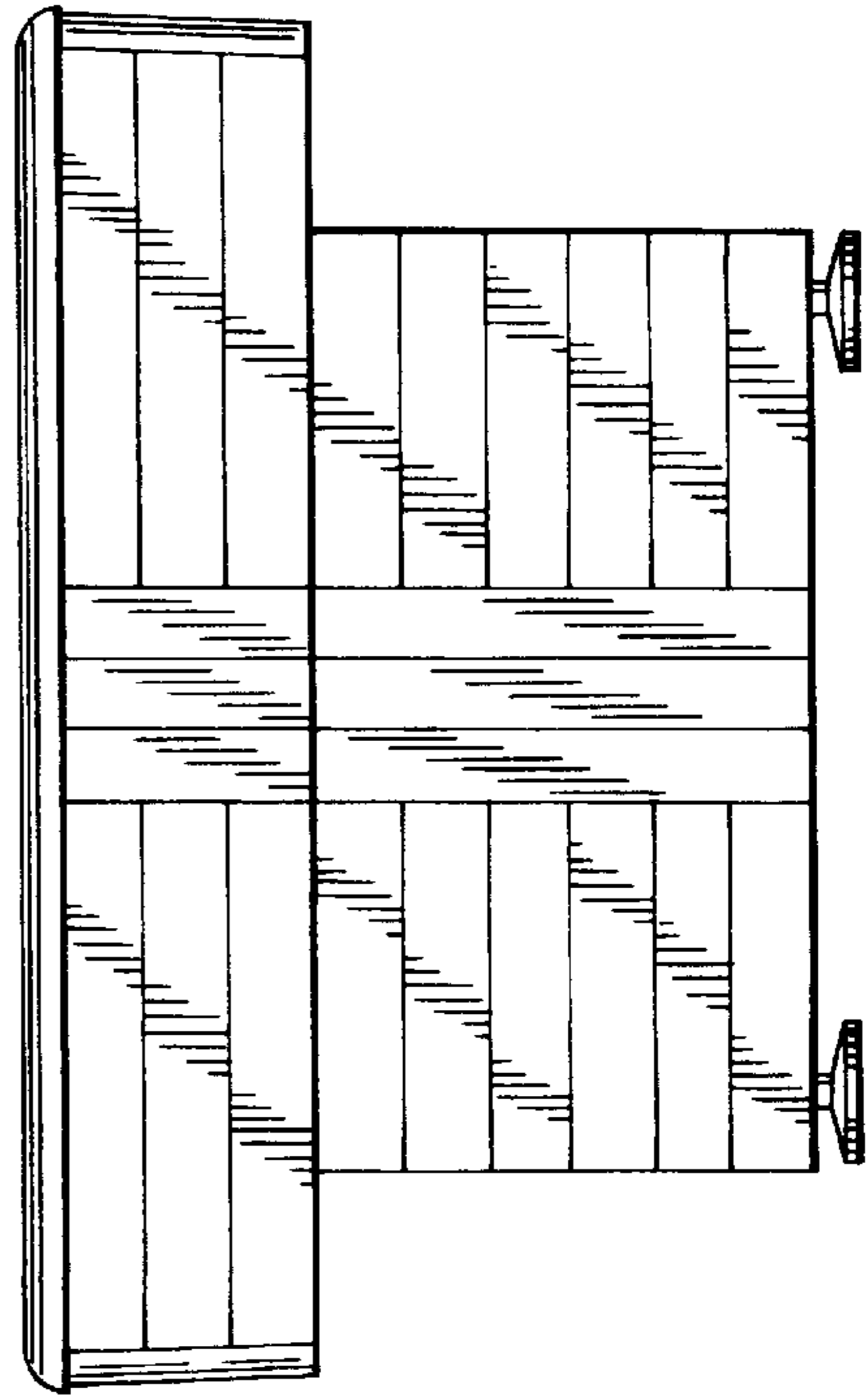


FIG. 4



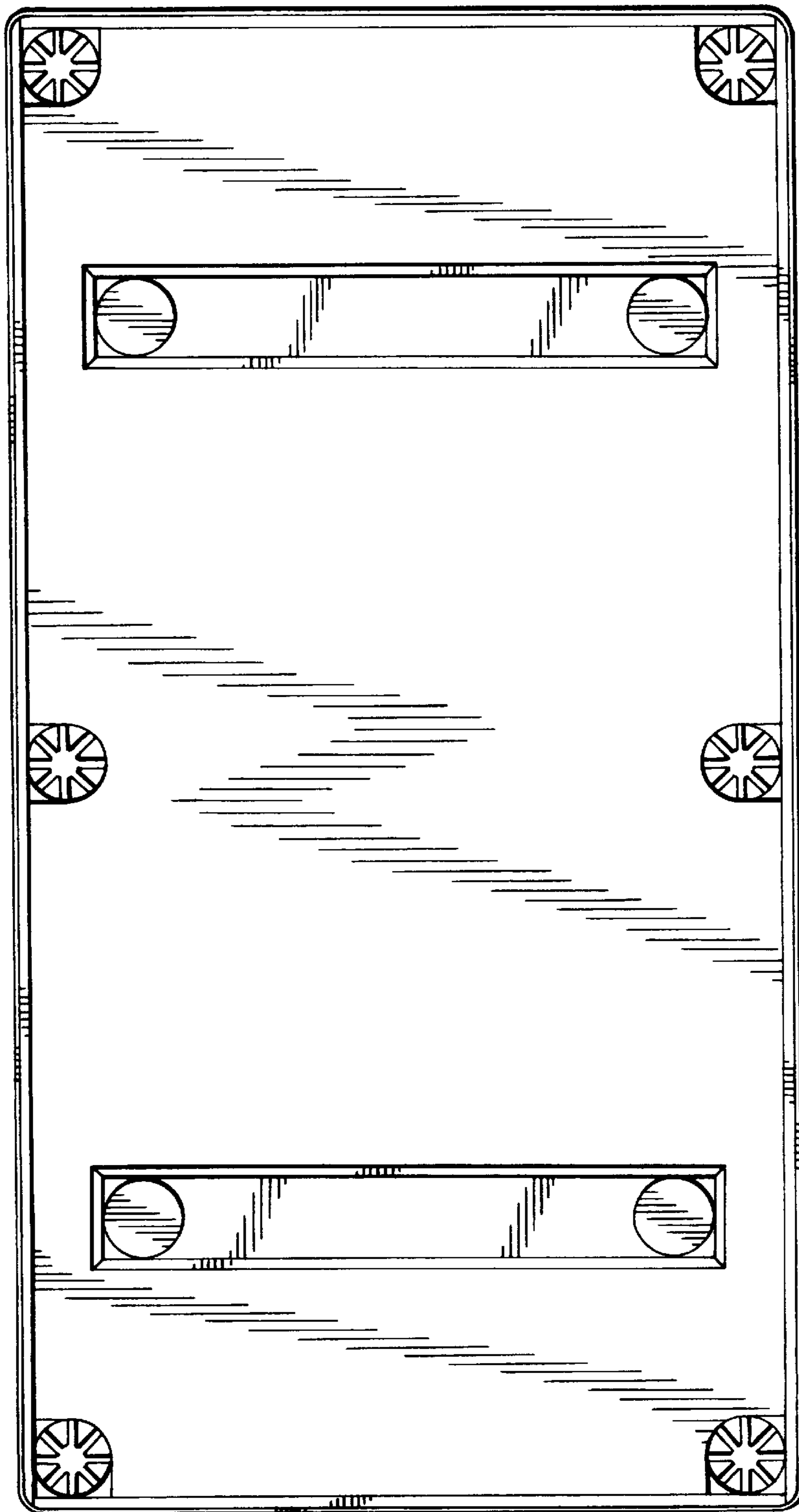


FIG. 5

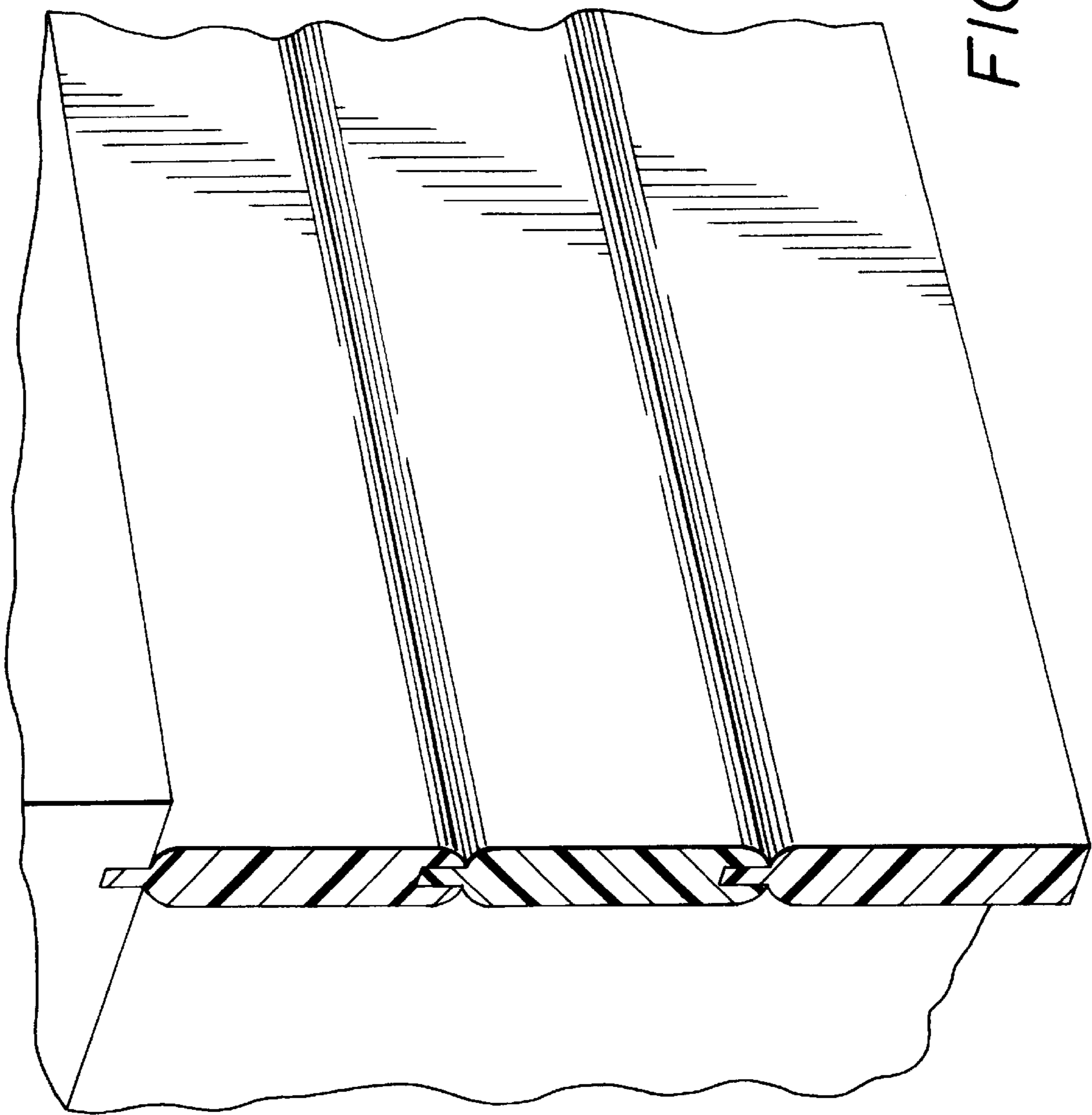


FIG. 6