



US00D446273S

(12) **United States Design Patent**
Natale

(10) **Patent No.:** **US D446,273 S**

(45) **Date of Patent:** **** Aug. 7, 2001**

(54) **BODYBOARD**

5,106,331 * 4/1992 Lizarazu 441/55

(76) Inventor: **Michael A. Natale**, 35 Witherspoon Ct.,
Morris Township, NJ (US) 07960

* cited by examiner

(**) Term: **14 Years**

Primary Examiner—Kay H. Chin

(74) *Attorney, Agent, or Firm*—Richard M. Goldberg

(21) Appl. No.: **29/126,972**

(57) **CLAIM**

(22) Filed: **Jul. 27, 2000**

The ornamental design for a bodyboard, as shown and described.

(51) **LOC (7) Cl.** **21-02**

DESCRIPTION

(52) **U.S. Cl.** **D21/769; D21/801**

(58) **Field of Search** D21/760, 769,
D21/770, 801, 803; 44/65, 66, 74, 68, 129,
135

FIG. 1 is a bottom perspective view of the bodyboard of my design;

FIG. 2 is a right side elevational view thereof, with the left side elevational view being a mirror image;

FIG. 3 is a top plan view thereof;

FIG. 4 is a front elevational view thereof;

FIG. 5 is a bottom plan view thereof;

FIG. 6 is a rear elevational view thereof; and,

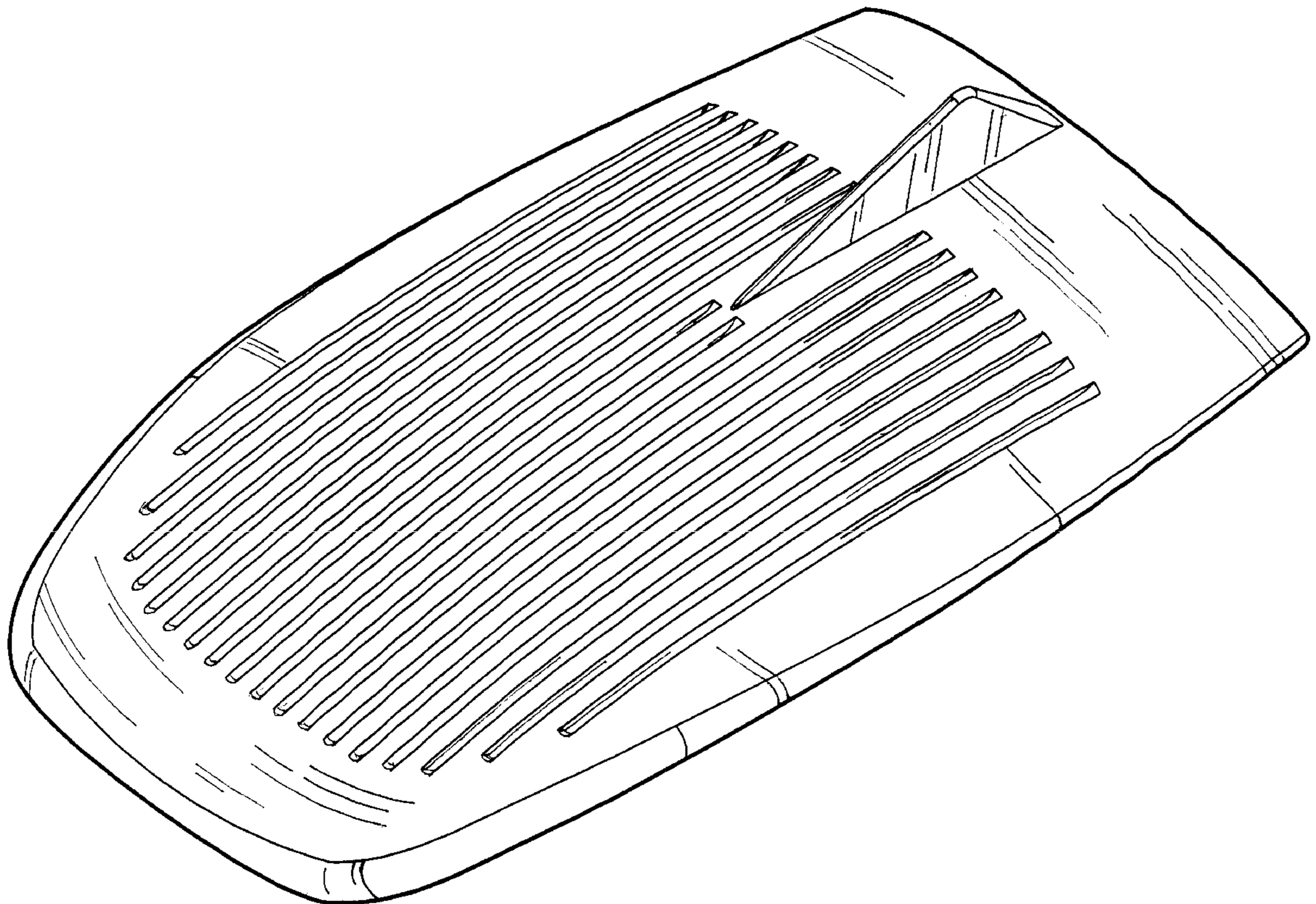
FIG. 7 is a transverse cross-sectional view at mid-length.

(56) **References Cited**

U.S. PATENT DOCUMENTS

- 4,439,165 * 3/1984 Rothstein 441/74
- 4,629,435 * 12/1986 Pitcairn 441/68
- 4,752,260 * 6/1988 Stewart 441/65
- 4,892,055 * 1/1990 Schad 114/357

1 Claim, 7 Drawing Sheets



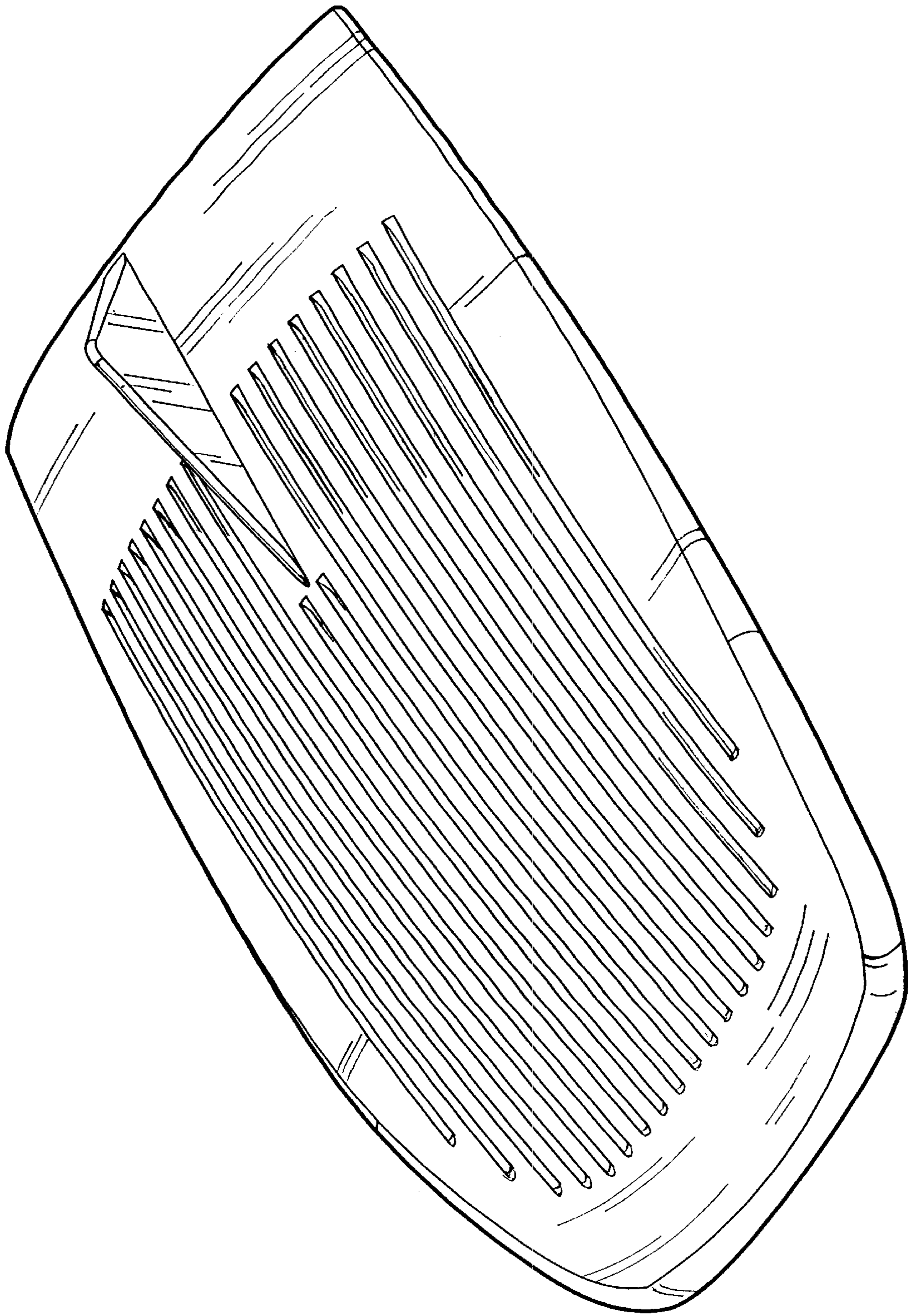


FIG. 1

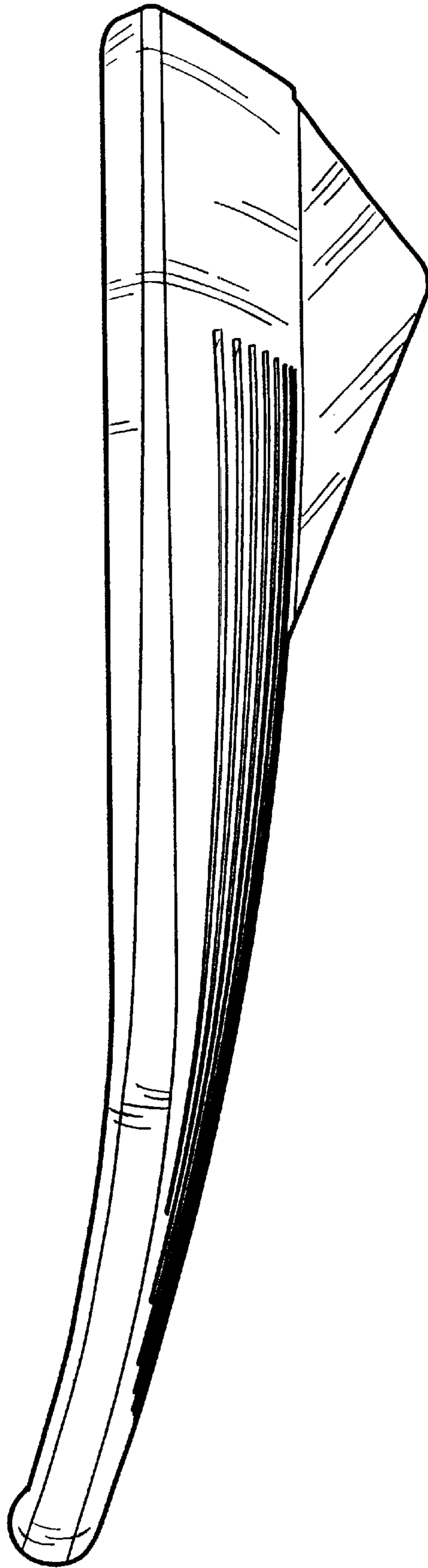


FIG. 2

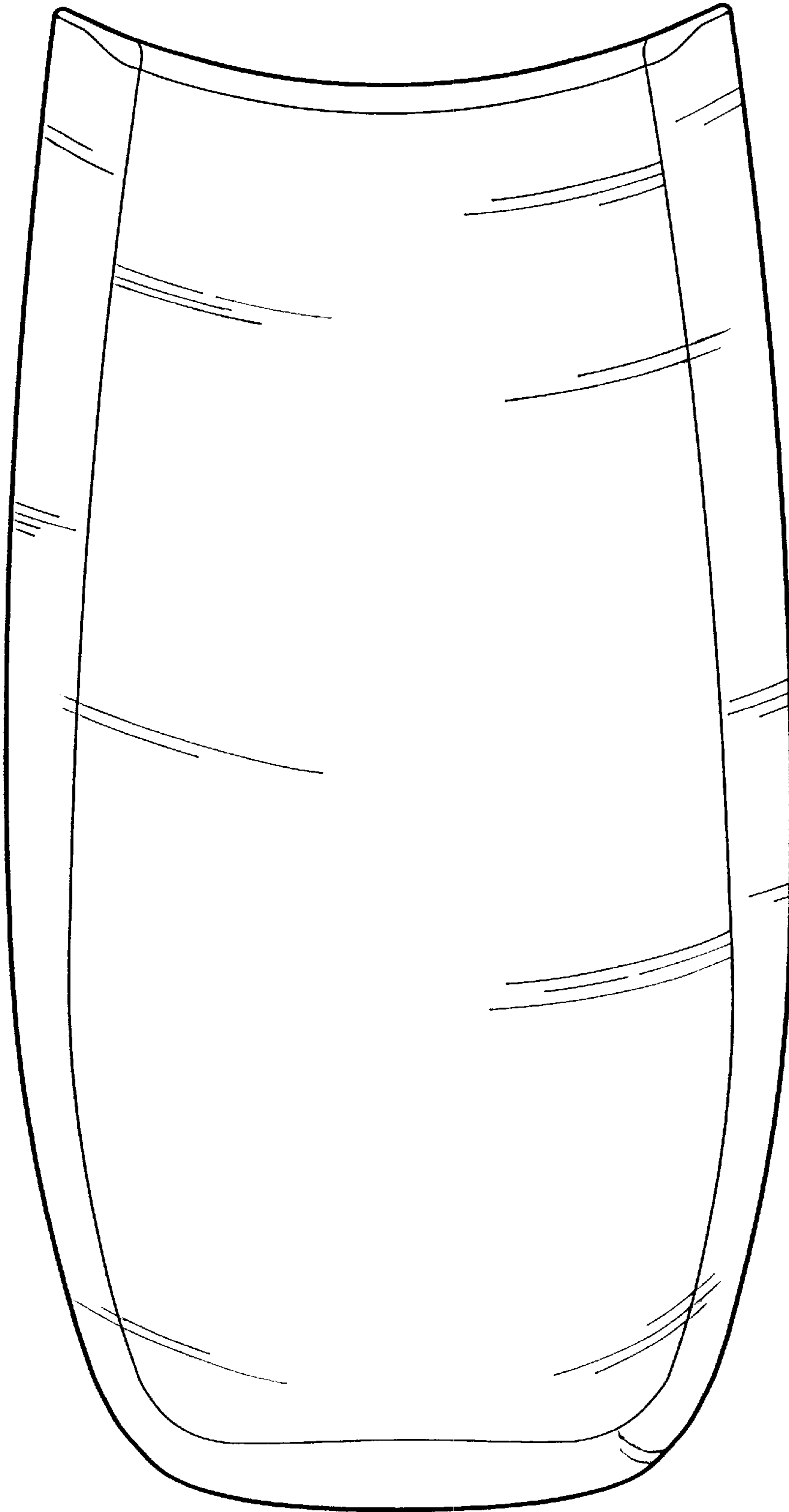


FIG. 3

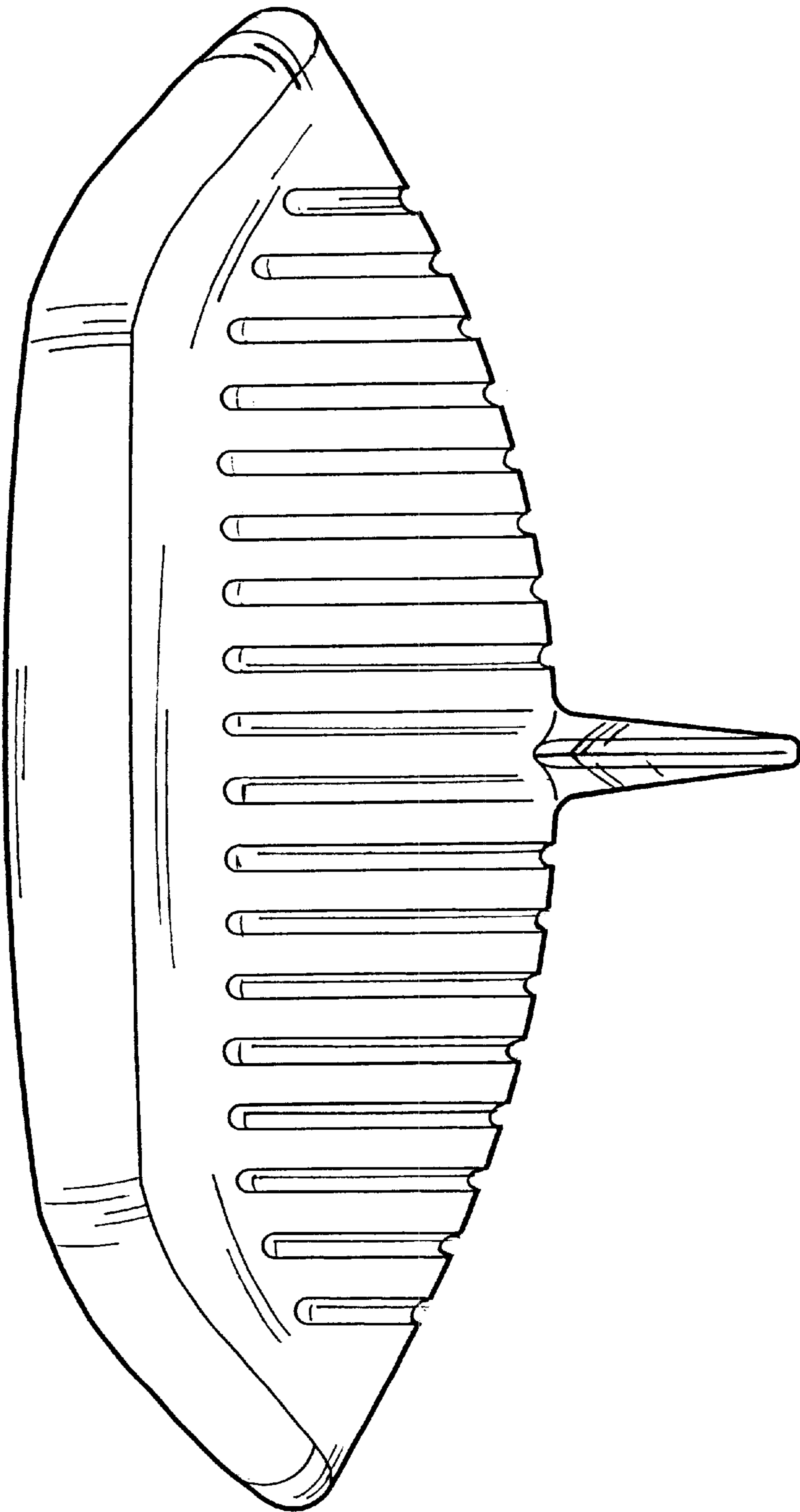


FIG. 4

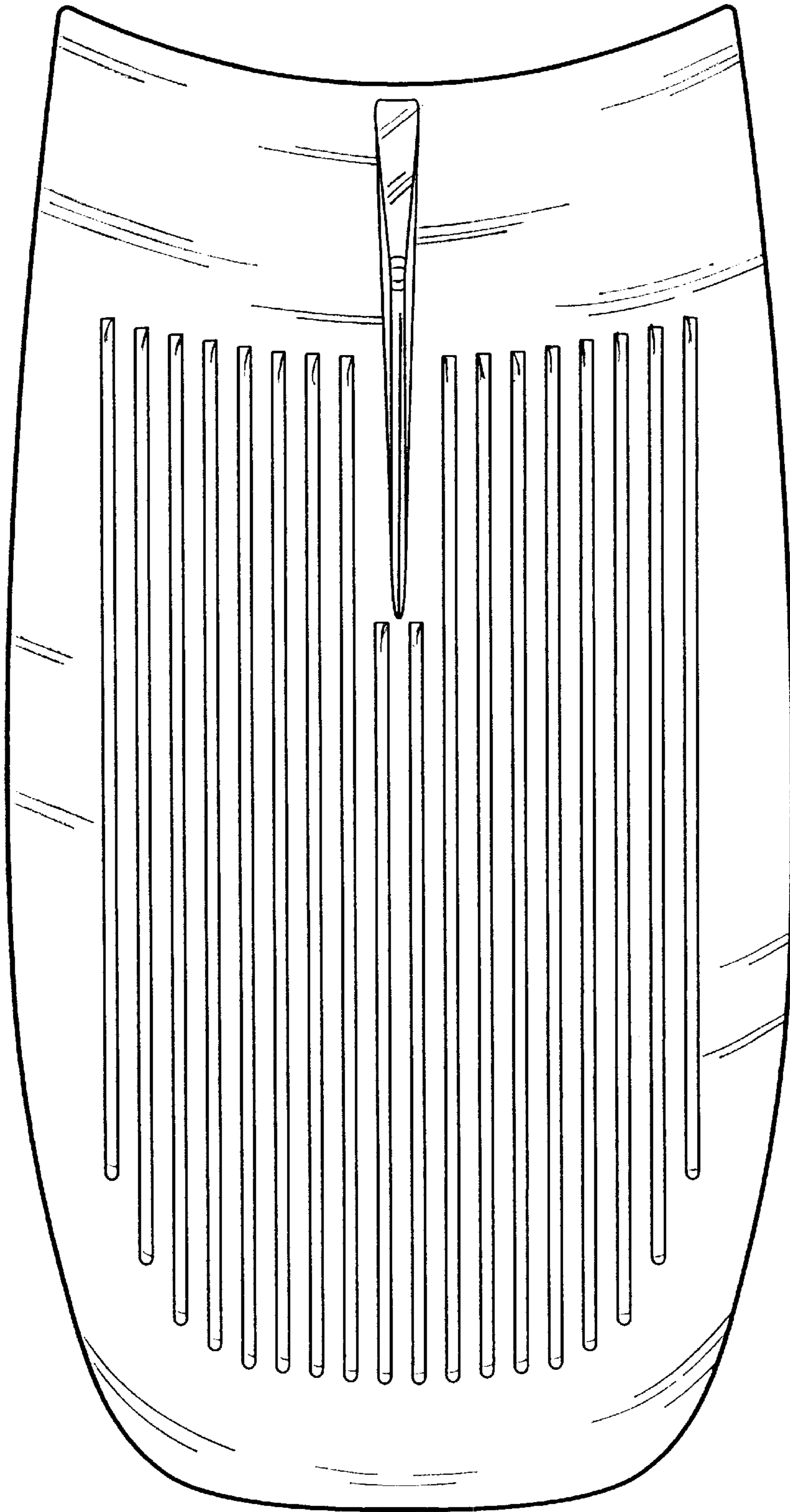


FIG. 5

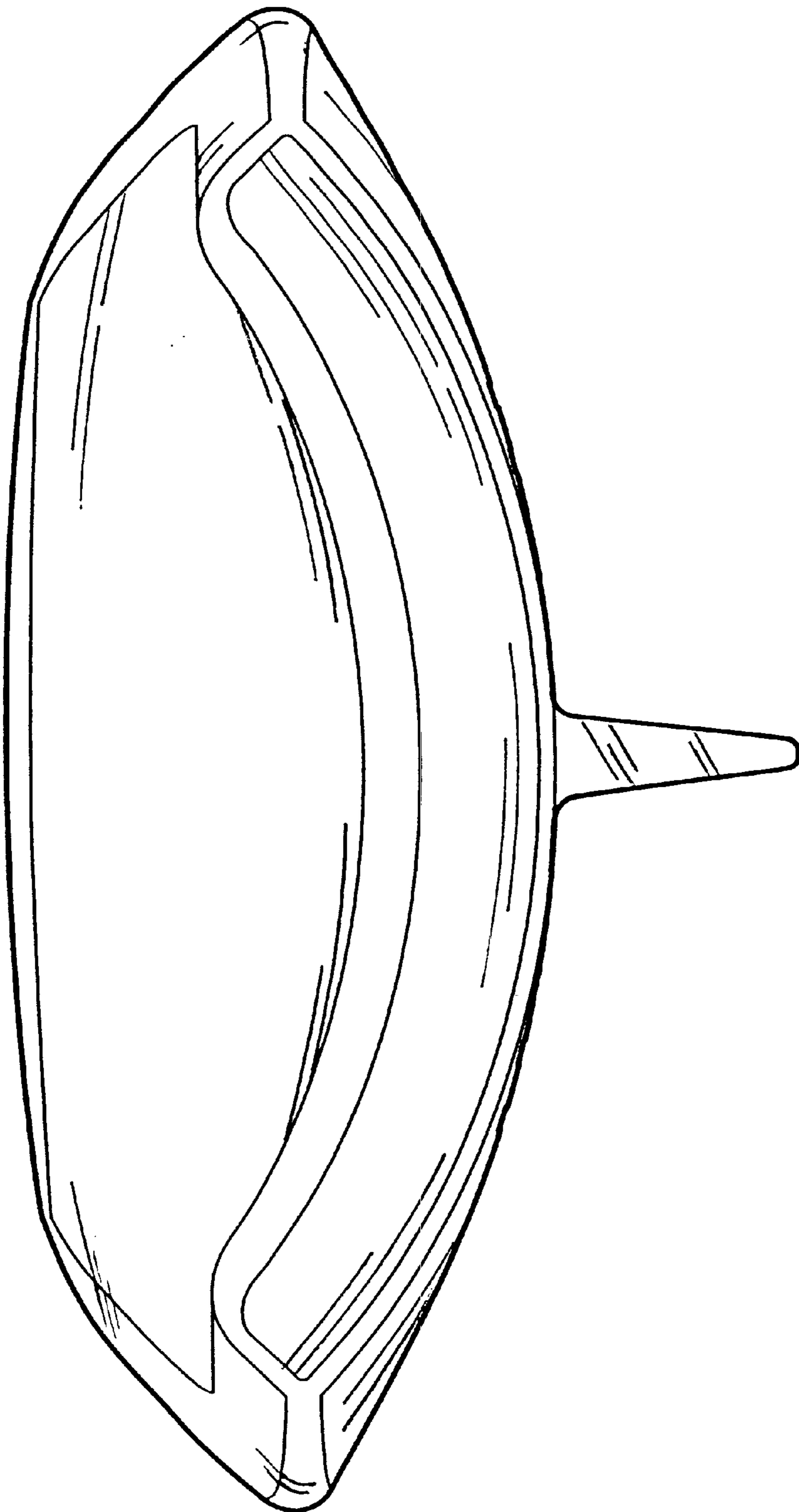


FIG. 6

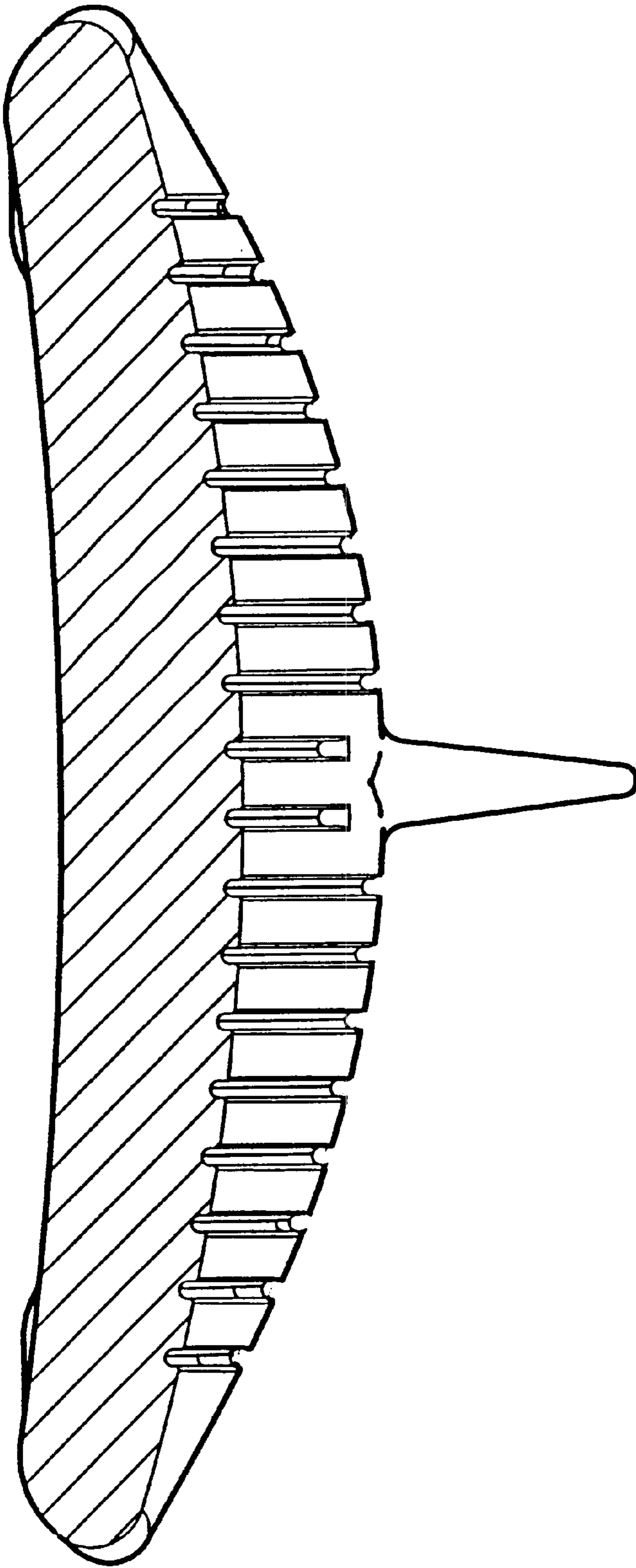


FIG. 7