



US00D446265S

(12) **United States Design Patent**  
**Lincir**

(10) **Patent No.:** **US D446,265 S**

(45) **Date of Patent:** **\*\* \*Aug. 7, 2001**

(54) **BARBELL PLATE**

(76) **Inventor:** **Tom I. Lincir**, P.O. Box 1470, San Pedro, CA (US) 90732

(\*) **Notice:** This patent is subject to a terminal disclaimer.

(\*\*) **Term:** **14 Years**

(21) **Appl. No.:** **29/129,533**

(22) **Filed:** **Sep. 18, 2000**

(51) **LOC (7) Cl.** ..... **21-02**

(52) **U.S. Cl.** ..... **D21/680; D21/681**

(58) **Field of Search** ..... D21/662, 679, D21/680, 681, 682, 683, 684; 482/93, 106, 107, 108, 109

(56) **References Cited**

**U.S. PATENT DOCUMENTS**

|            |           |                |       |         |
|------------|-----------|----------------|-------|---------|
| D. 354,322 | 1/1995    | Vodhanel, Jr.  | ..... | D21/680 |
| D. 355,007 | 1/1995    | Rojas et al.   | ..... | D21/680 |
| D. 394,685 | * 5/1998  | Eckmann        | ..... | D21/680 |
| D. 406,183 | * 2/1999  | Zovich         | ..... | D21/680 |
| D. 409,695 | * 5/1999  | Rojas et al.   | ..... | D21/680 |
| D. 424,140 | 5/2000    | Lincir         | ..... | D21/680 |
| D. 424,639 | * 5/2000  | Rojas et al.   | ..... | D21/680 |
| D. 433,721 | * 11/2000 | Rojas et al.   | ..... | D21/681 |
| D. 434,090 | * 11/2000 | Wallace et al. | ..... | D21/681 |
| 4,618,142  | 10/1986   | Joseph, Jr.    | ..... | 482/106 |

|           |           |           |       |         |
|-----------|-----------|-----------|-------|---------|
| 5,137,502 | 8/1992    | Anastasi  | ..... | 482/106 |
| 5,692,996 | 12/1997   | Wilderman | ..... | 482/93  |
| 5,741,206 | 4/1998    | Anastasi  | ..... | 482/105 |
| 5,853,355 | * 12/1998 | Standish  | ..... | 482/106 |

\* cited by examiner

*Primary Examiner*—Philip S. Hyder

(74) *Attorney, Agent, or Firm*—Edward A. Sokolski

(57) **CLAIM**

The ornamental design for a barbell plate, as shown and described.

**DESCRIPTION**

FIG. 1 is a front elevational view showing my new design for a barbell plate;

FIG. 2 is a side elevational view of the barbell plate shown in FIG. 1;

FIG. 3 is a front perspective view of the barbell plate shown in FIG. 1;

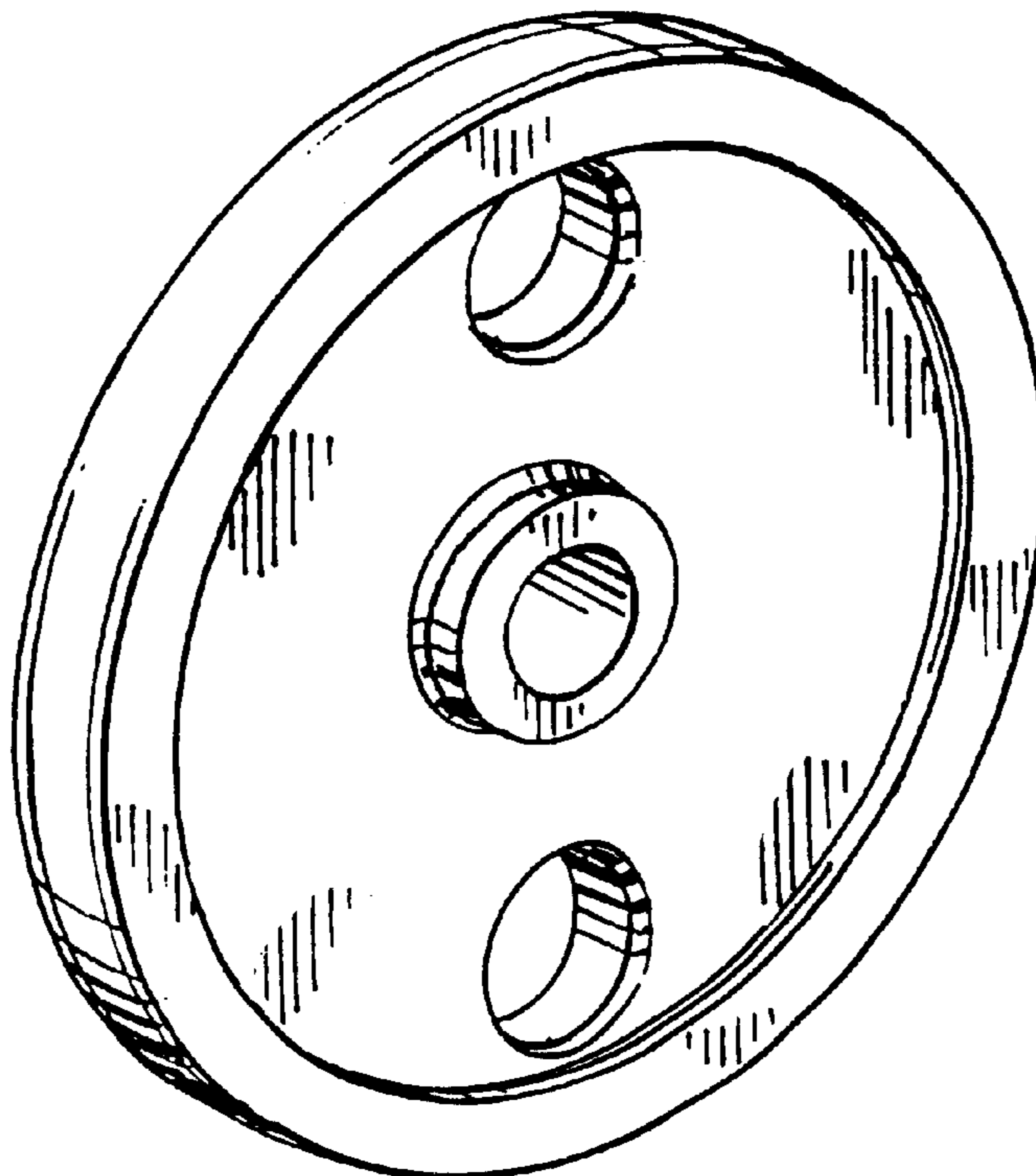
FIG. 4 is a front elevational view of a second embodiment of a barbell plate showing my new design;

FIG. 5 is an end elevational view of the barbell plate shown in FIG. 4; and,

FIG. 6 is a front perspective view of the barbell plate shown in FIG. 4.

The opposite side of the barbell plate shown in FIG. 1 is the mirror image thereof and the opposite side of the barbell plate shown in FIG. 4 is the mirror image thereof.

**1 Claim, 2 Drawing Sheets**



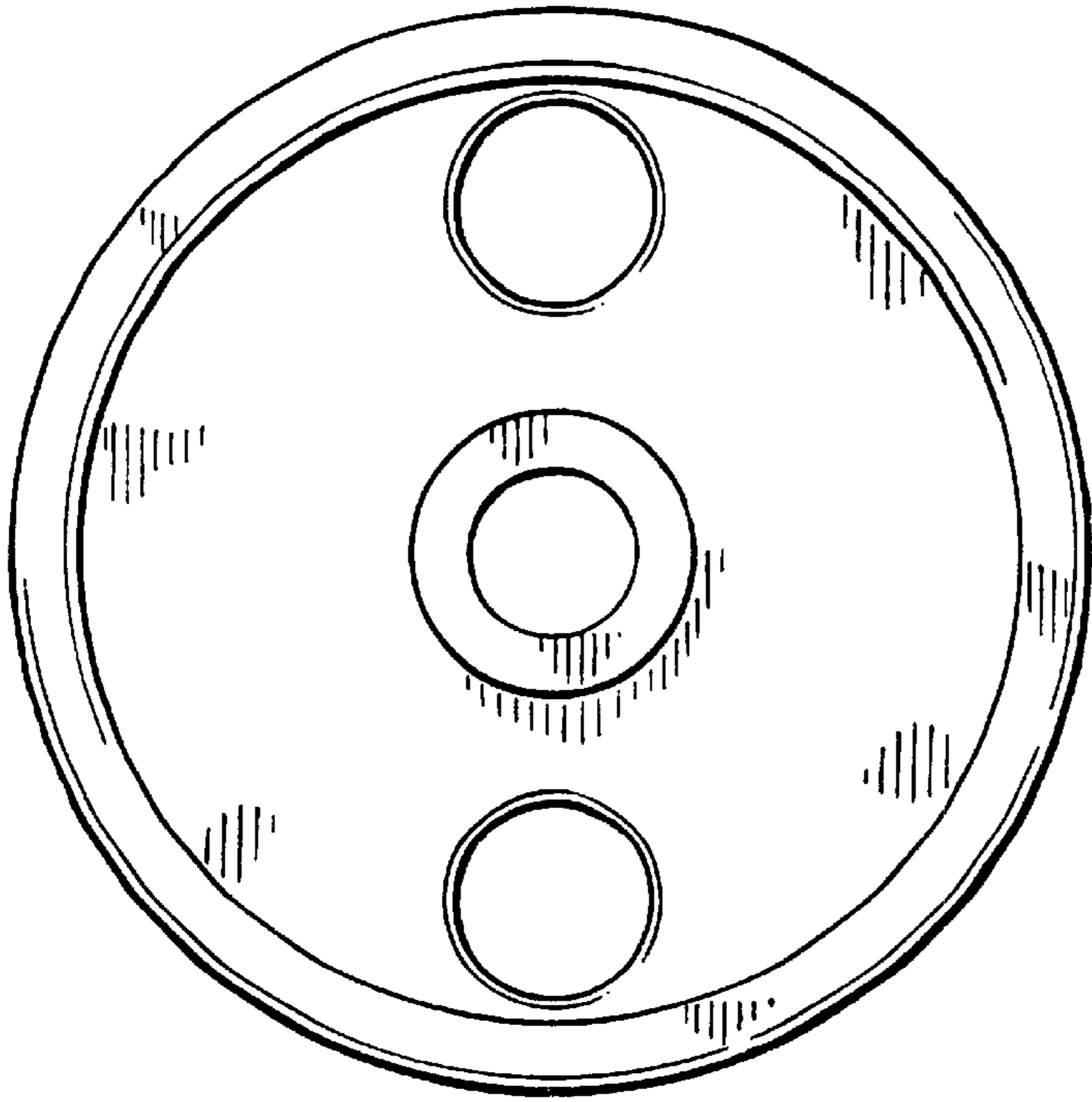


FIG. 1



FIG. 2

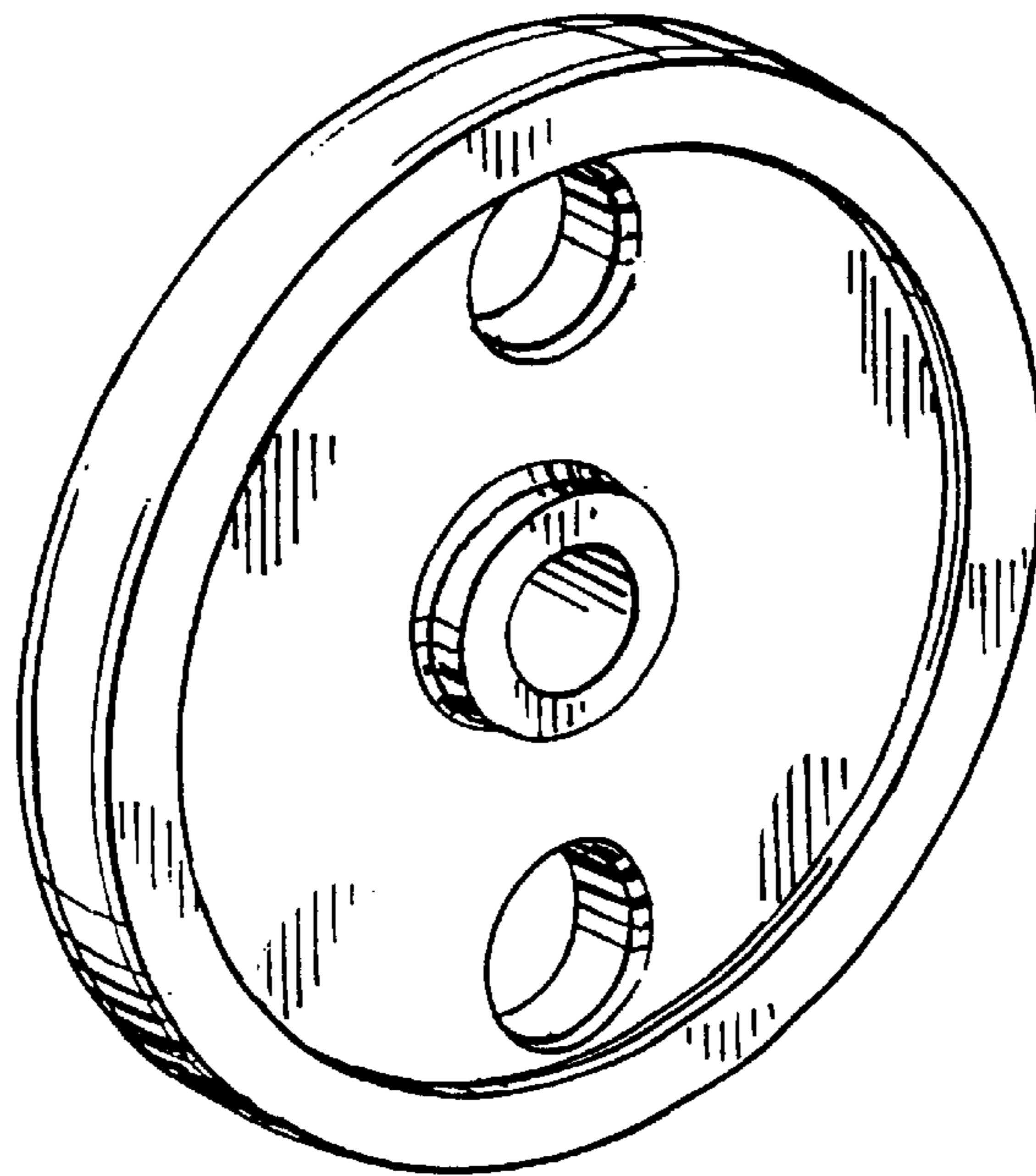


FIG. 3

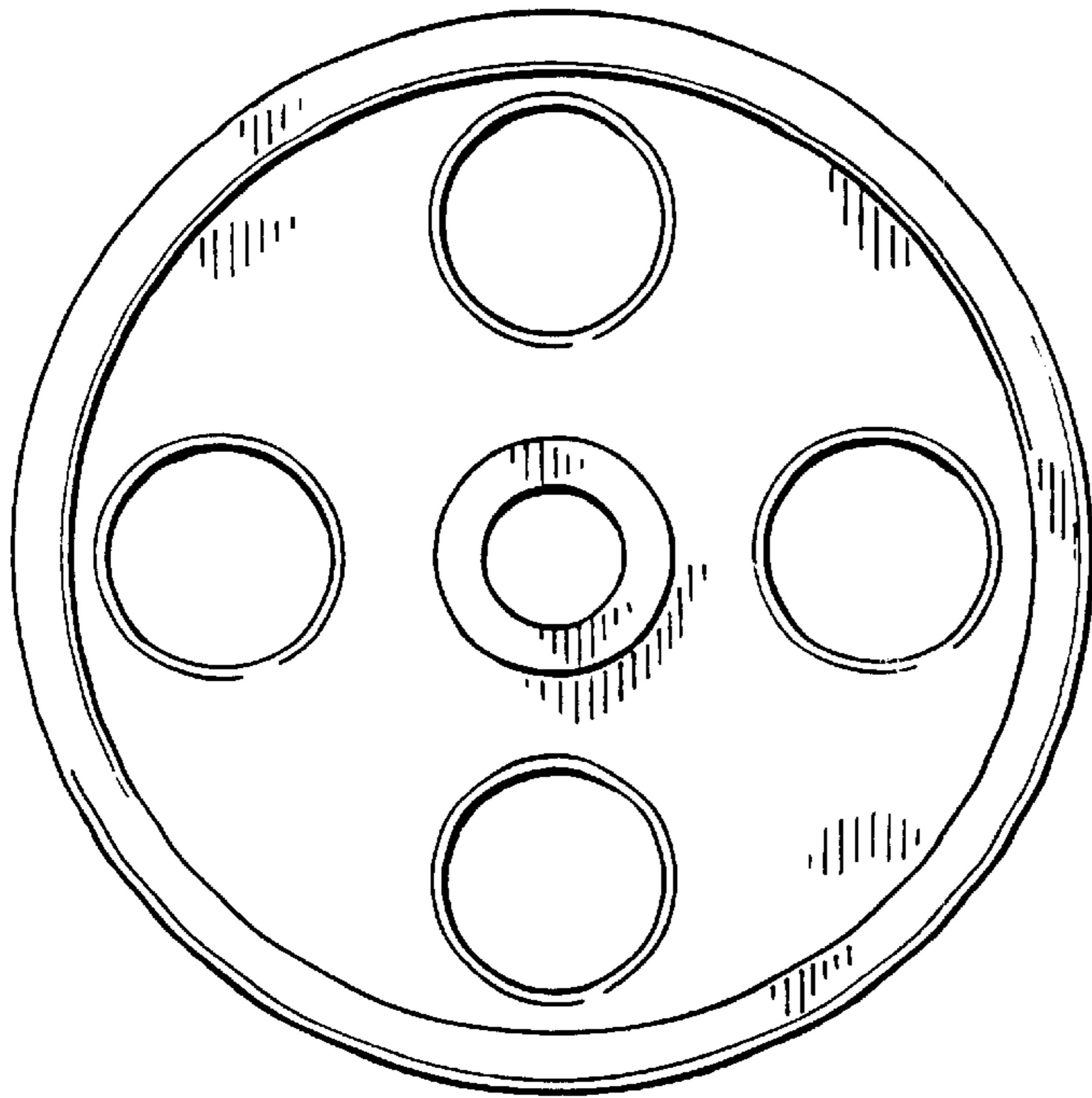


FIG. 4



FIG. 5

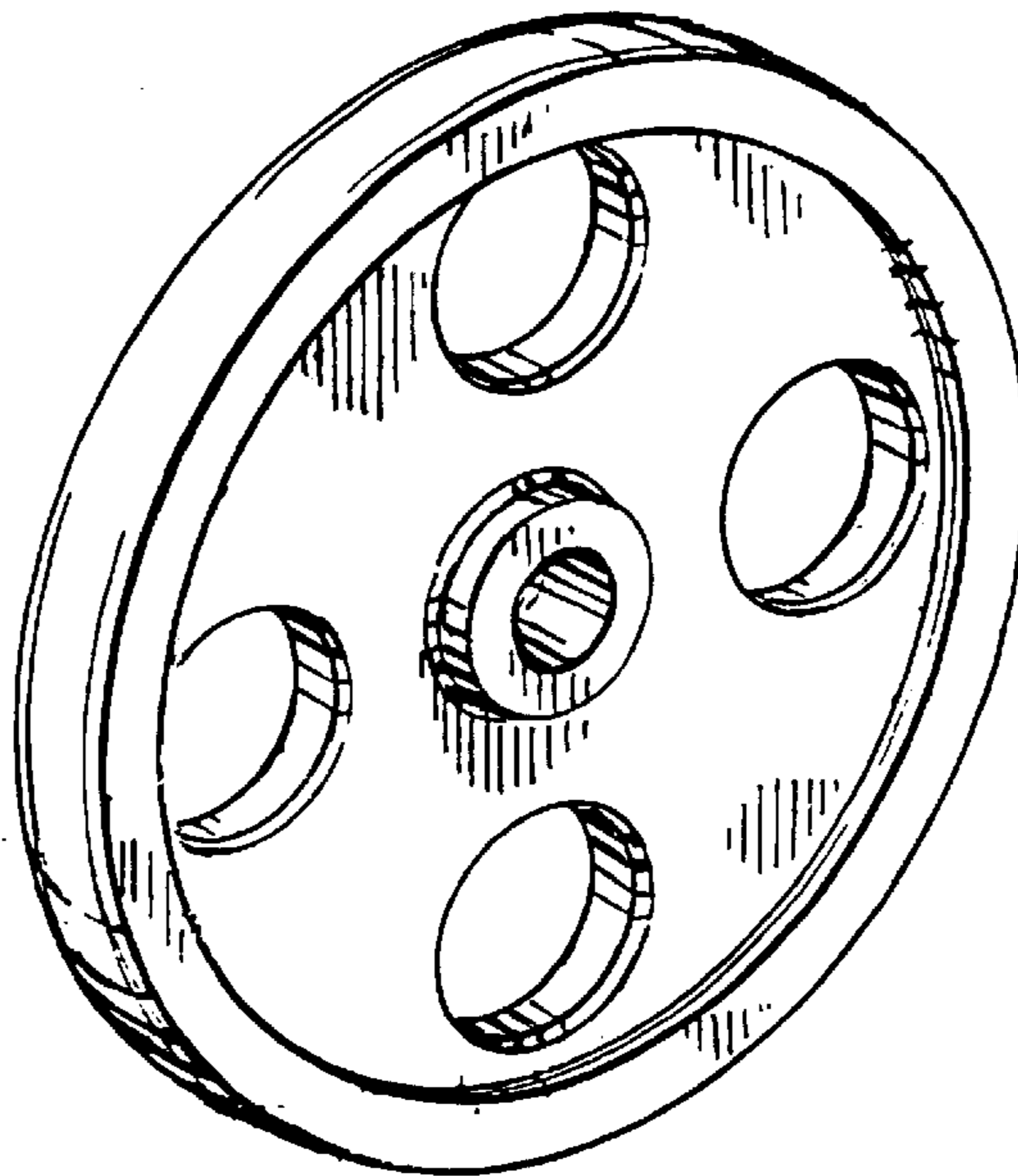


FIG. 6