



US00D446264S

(12) **United States Design Patent**  
**Fischer et al.**

(10) **Patent No.:** **US D446,264 S**

(45) **Date of Patent:** **\*\* Aug. 7, 2001**

(54) **EXERCISE DEVICE**

(75) Inventors: **Brett Fischer**, Gilbert, AZ (US);  
**Spencer Mackay**, North Hollywood,  
CA (US)

(73) Assignee: **Ab Dolly LLC**, West Chester, PA (US)

(\*\*) Term: **14 Years**

(21) Appl. No.: **29/128,446**

(22) Filed: **Aug. 25, 2000**

(51) **LOC (7) Cl.** ..... **21-02**

(52) **U.S. Cl.** ..... **D21/662**

(58) **Field of Search** ..... D21/662, 686,  
D21/688, 765; D34/23; D6/349; 482/131,  
132, 140, 148; 280/87.01

4,134,584 1/1979 Rosenbusch .  
4,134,599 1/1979 DiMille et al. .... 280/87.01  
4,193,592 3/1980 Bishow .  
4,700,945 10/1987 Rader ..... 482/132  
4,801,140 1/1989 Bergeron .  
4,892,305 1/1990 Lynch ..... 482/132  
5,046,750 9/1991 Heubl ..... 280/87.021  
5,279,533 1/1994 Yin et al. .... 482/147  
5,342,274 8/1994 Hunker ..... 482/140  
5,445,396 8/1995 Sebor ..... 280/79.11  
5,632,707 5/1997 Daniel et al. .... 482/95  
5,645,290 7/1997 Gaffney et al. .... 280/47.4  
5,776,119 1/1998 Clark ..... 482/146  
5,810,376 9/1998 Matheny ..... 280/87.042  
5,879,276 3/1999 Miller ..... 482/146

**FOREIGN PATENT DOCUMENTS**

135503 6/1933 (DE) .  
979475 4/1951 (FR) .  
2602981 2/1988 (FR) .  
117960 10/1969 (NO) .

(56) **References Cited**

**U.S. PATENT DOCUMENTS**

D. 300,159 3/1989 Papas .  
D. 301,495 6/1989 Riggs .  
D. 302,576 8/1989 Woods .  
D. 302,994 8/1989 Hawkes et al. .  
D. 316,281 \* 4/1991 Mirisch, Sr. .... D34/23  
D. 320,484 10/1991 Wallin ..... D34/23  
D. 321,072 \* 10/1991 Bennett et al. .... D34/23  
D. 354,599 1/1995 Young ..... D34/23  
D. 401,724 \* 11/1998 Whiteside et al. .... D34/23  
D. 406,684 3/1999 Pool et al. .... D34/23  
D. 428,367 \* 7/2000 Lundh ..... D34/23  
D. 428,454 7/2000 Fischer et al. .... D21/662  
1,327,123 1/1920 Thomas .  
1,824,920 9/1931 Novak .  
2,069,384 2/1937 Ogden .  
2,219,905 10/1940 Prickman .  
2,351,293 6/1944 Saunders .  
2,642,286 6/1953 Leroy .  
2,819,081 1/1958 Touraine .  
3,109,667 11/1963 Wolner .  
3,604,722 9/1971 Boley .  
3,693,998 9/1972 Cummins .  
3,809,393 5/1974 Jones .

\* cited by examiner

*Primary Examiner*—Philip S. Hyder  
(74) *Attorney, Agent, or Firm*—Finnegan, Henderson,  
Farabow, Garrett, & Dunner, L.L.P.

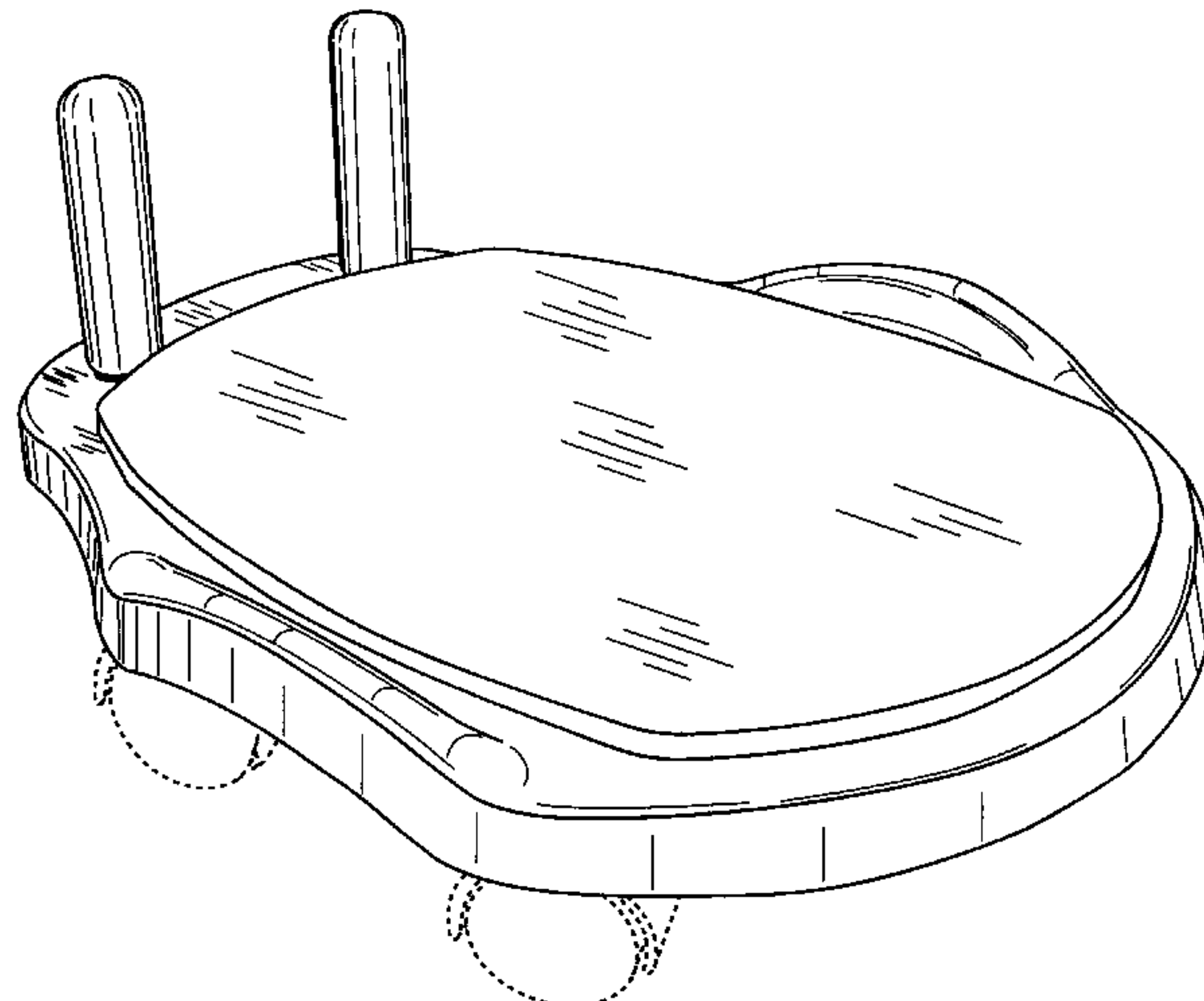
(57) **CLAIM**

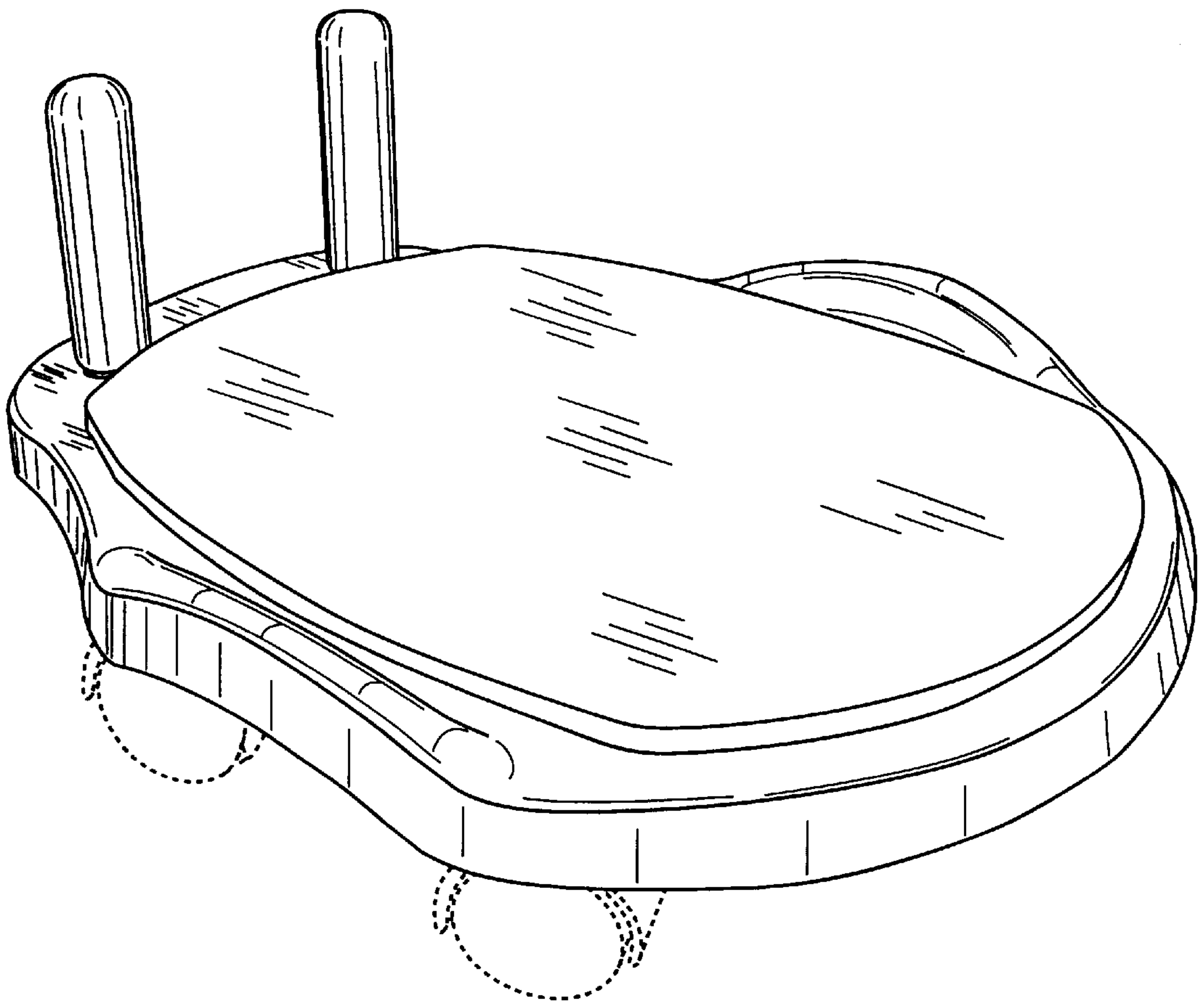
The ornamental design for an exercise device, as shown and described.

**DESCRIPTION**

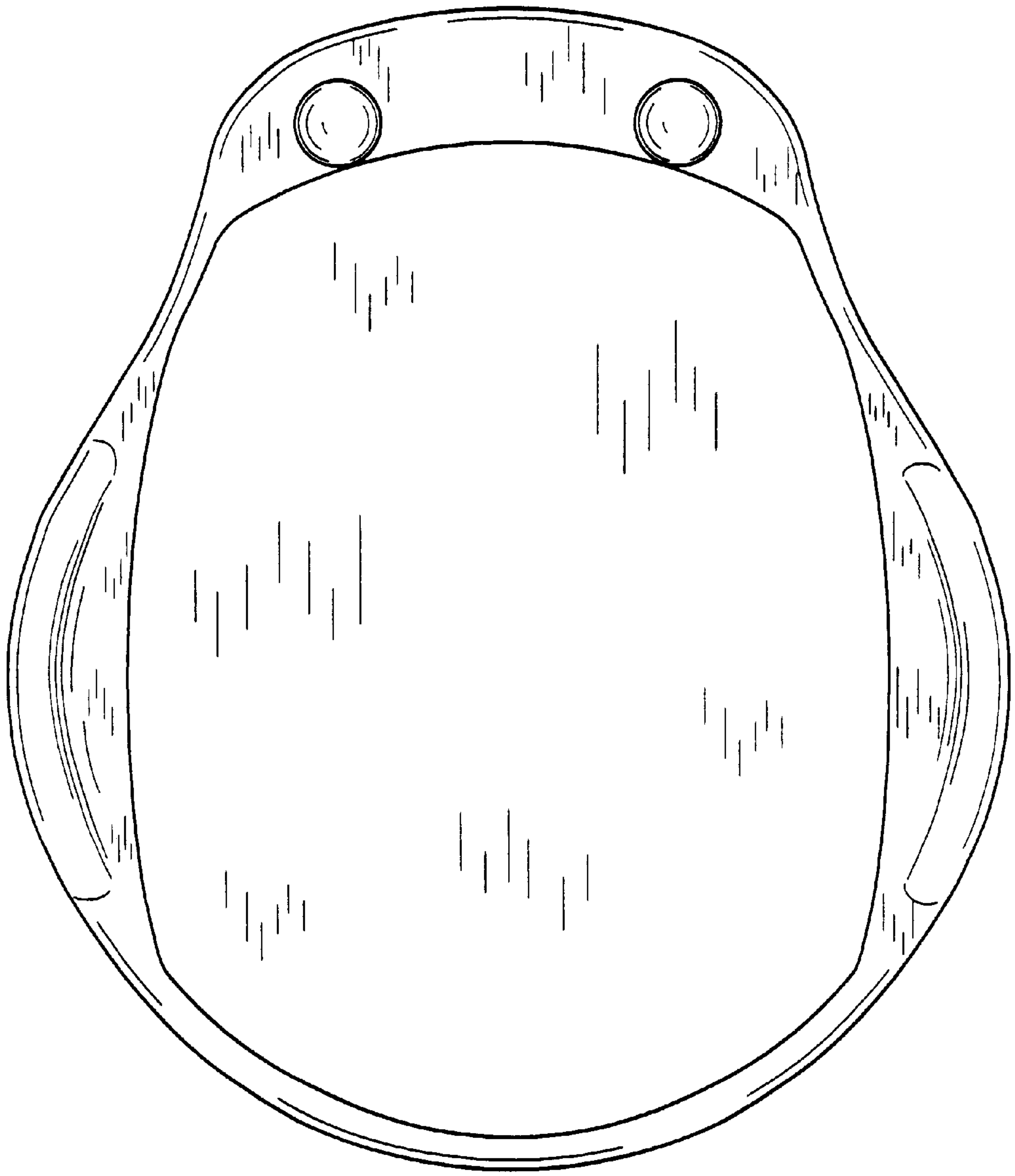
FIG. 1 is a perspective view of our new design;  
FIG. 2 is top view thereof;  
FIG. 3 is the bottom view thereof;  
FIG. 4 is a right side view of the design of FIG. 1, the left side view being a mirror image thereof;  
FIG. 5 is the rear view thereof; and,  
FIG. 6 is the front view of our new design.  
The features shown in dashed lines in FIGS. 1, 3, 4, 5, and 6 are for illustrative purposes only and form no part of the design.

**1 Claim, 6 Drawing Sheets**

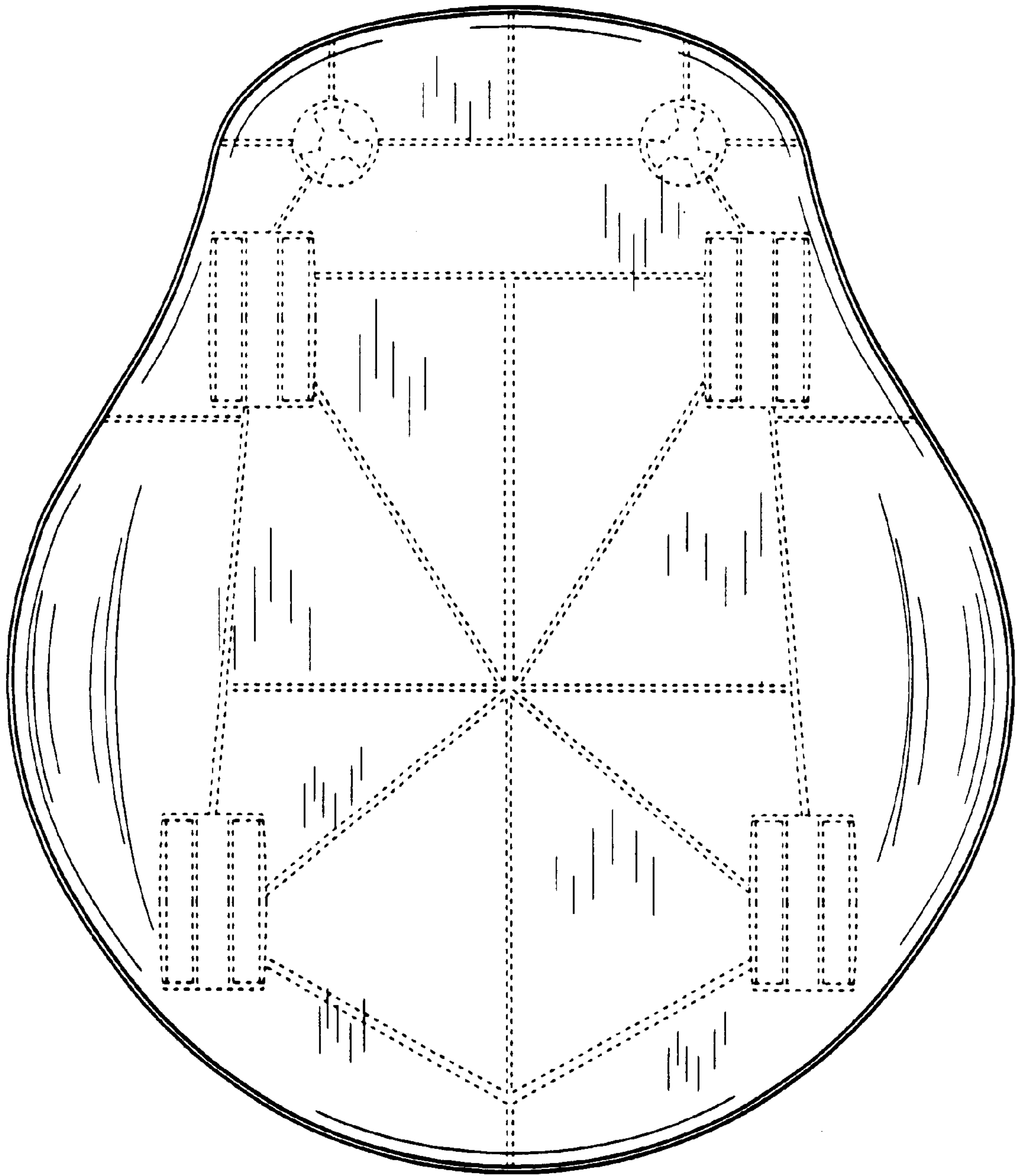




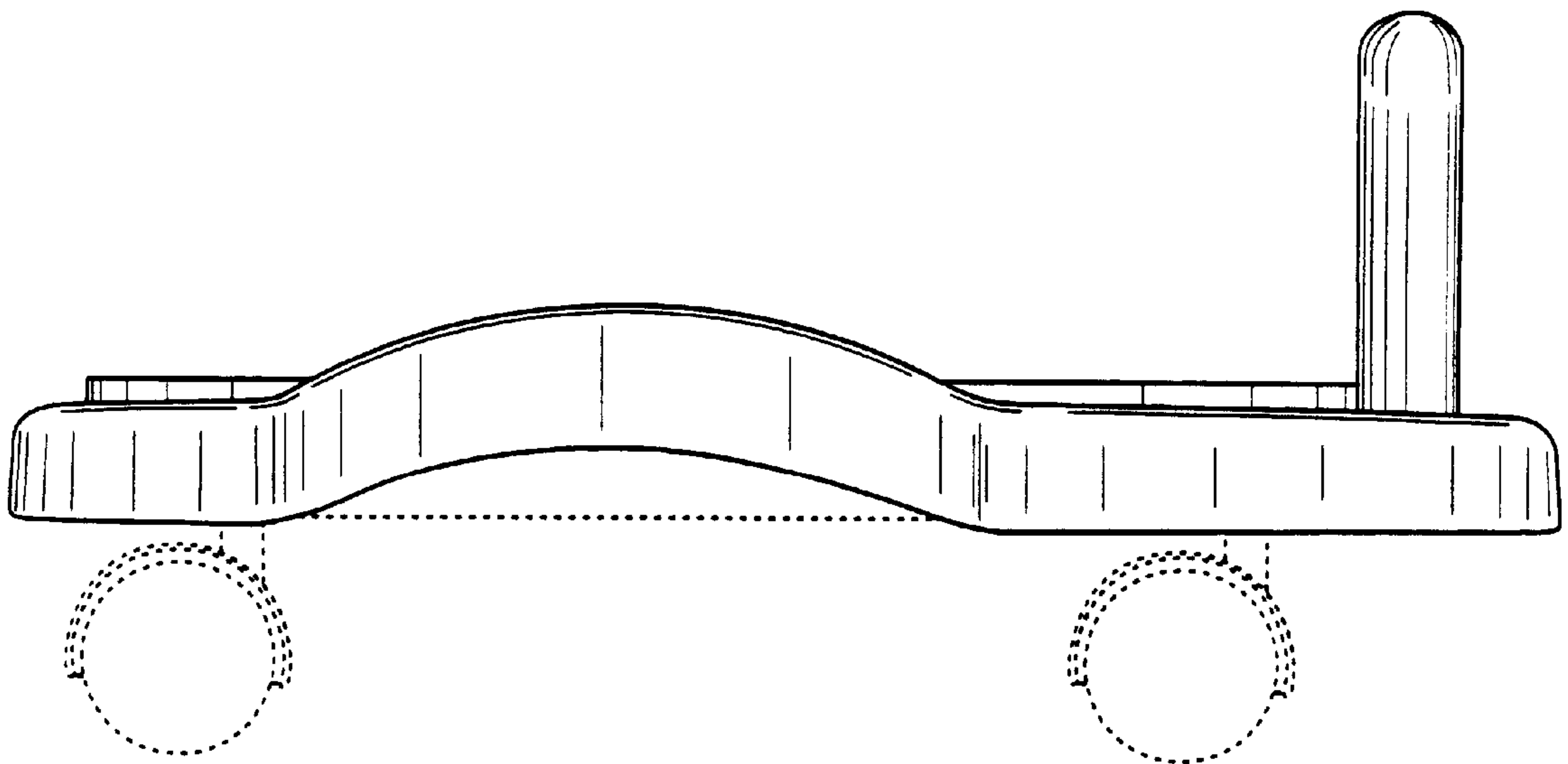
**FIG. 1**



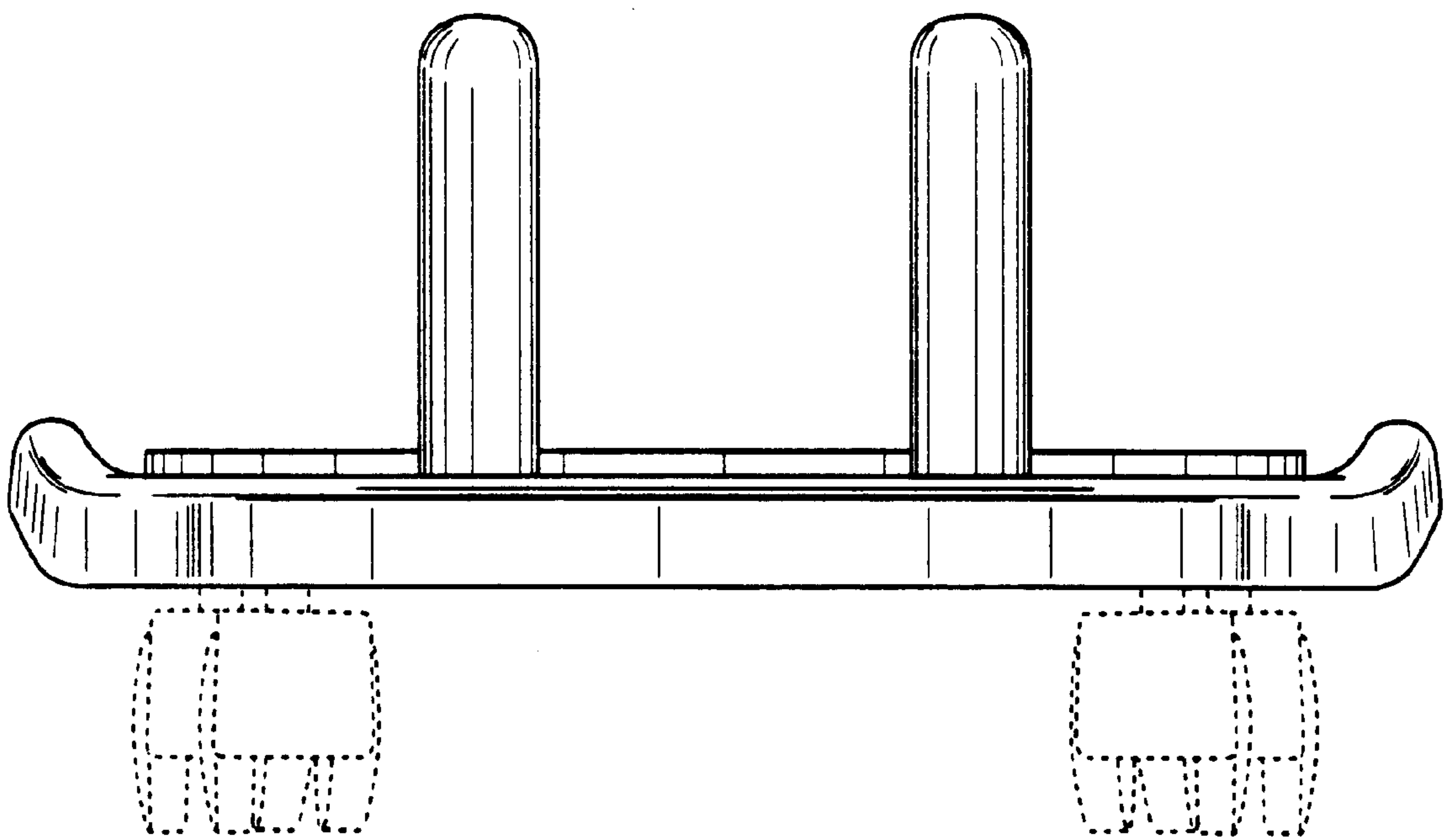
**FIG. 2**



**FIG. 3**

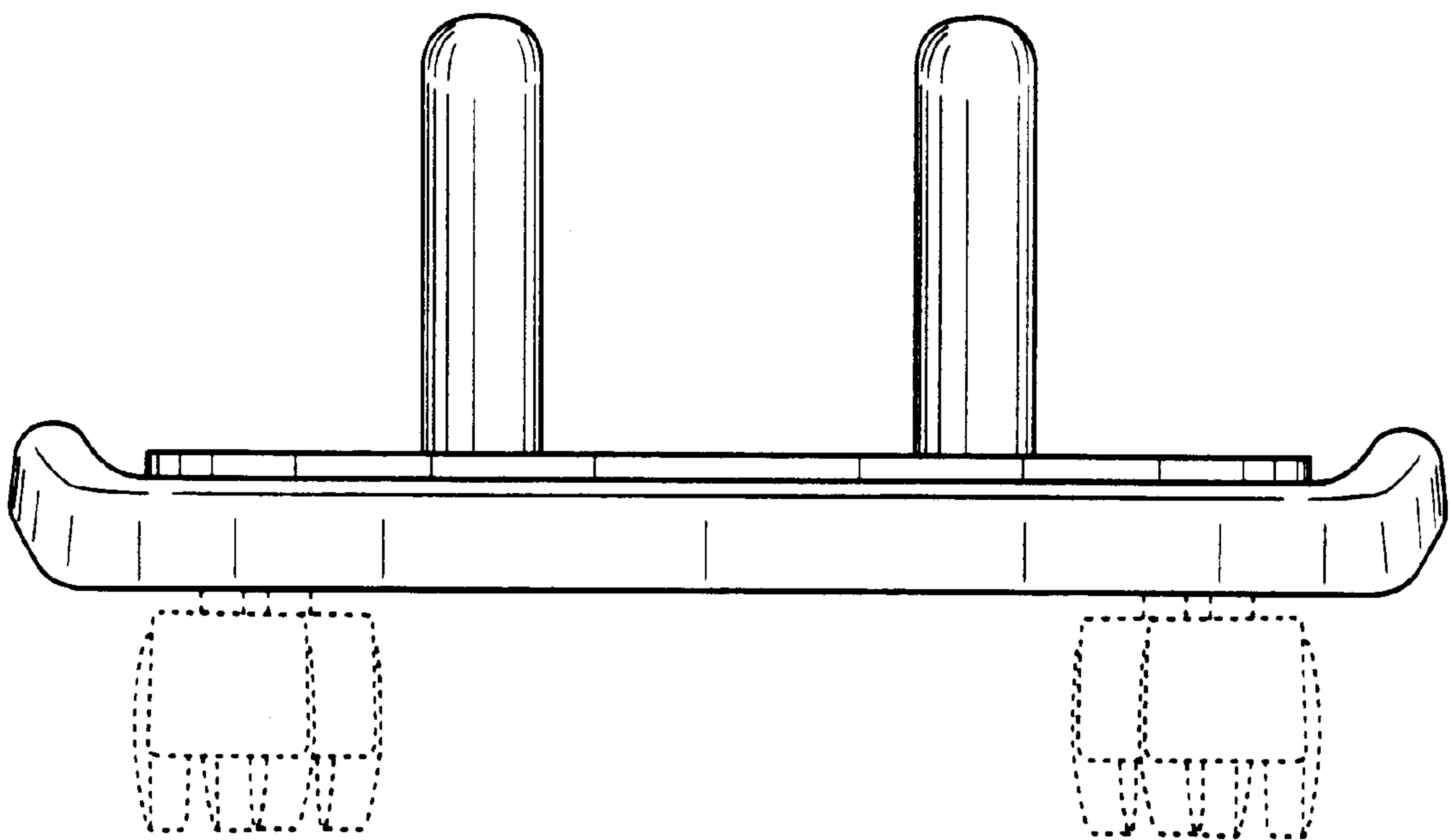


**FIG. 4**



**FIG. 5**





**FIG. 6**