



US00D446261S

(12) **United States Design Patent**
You et al.

(10) **Patent No.:** **US D446,261 S**

(45) **Date of Patent:** **** Aug. 7, 2001**

(54) **CHILDREN'S RIDE-ON VEHICLE**

(75) Inventors: **Youn-Fu You**, Chang-Hua; **Lung-Yin Lin**, Nantou, both of (TW)

(73) Assignee: **Link Treasure Limited**, Tortola (VG)

(**) Term: **14 Years**

(21) Appl. No.: **29/136,324**

(22) Filed: **Jan. 30, 2001**

(51) **LOC (7) Cl.** **21-01**

(52) **U.S. Cl.** **D21/431**

(58) **Field of Search** D21/419-435,
D21/533-537, 548-551, 561-563; D12/1,
85, 108; 446/424-428, 433, 440, 454, 456,
457, 462, 465, 470; 280/113, 828, 87.01,
87.021, 87.051

(56) **References Cited**

U.S. PATENT DOCUMENTS

D. 227,494	*	6/1973	Campbell	D21/424
D. 255,696	*	7/1980	Fratarcangeli	D21/537
D. 282,187	*	1/1986	Cunard et al.	D21/424
D. 303,776	*	10/1989	Aker	D12/108

D. 321,380	*	11/1991	Dewing	D21/431
D. 414,221	*	9/1999	Jones, Jr. et al.	D21/424
1,432,612	*	10/1922	O'Conner	280/87.051
3,078,619	*	2/1963	Brown	446/465
3,870,334	*	3/1975	Cole	280/87.01
5,879,221	*	3/1999	Barton et al.	446/427

* cited by examiner

Primary Examiner—Raphael Barkai

(74) *Attorney, Agent, or Firm*—Birch, Stewart, Kolasch & Birch, LLP

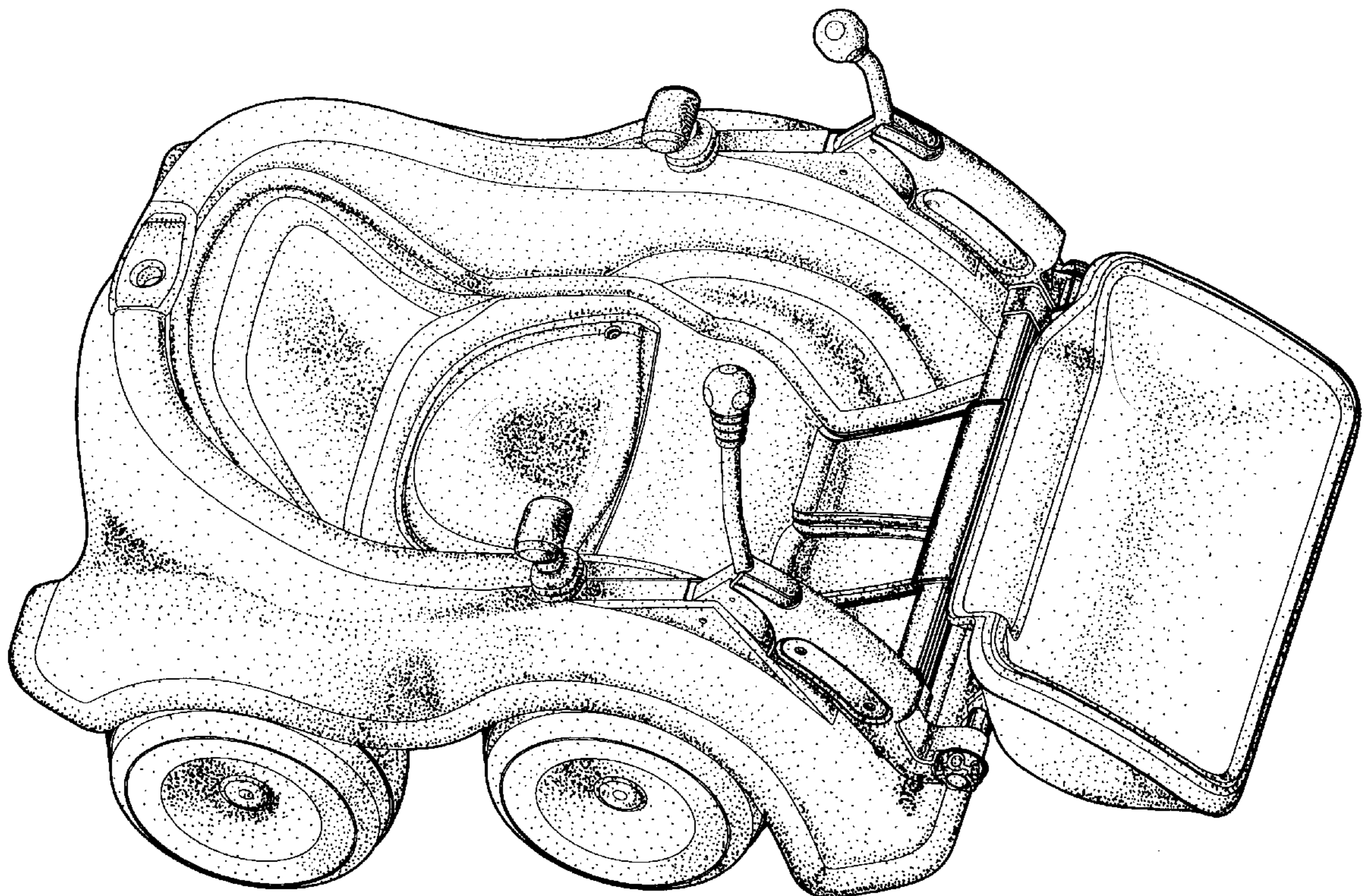
(57) **CLAIM**

The ornamental design for a children's ride-on vehicle, as shown and described.

DESCRIPTION

FIG. 1 is a perspective view of a children's ride-on vehicle showing our new design;
 FIG. 2 is right side elevational view thereof;
 FIG. 3 is a top view thereof;
 FIG. 4 is front view thereof;
 FIG. 5 is a bottom view thereof;
 FIG. 6 is a left side elevational view thereof; and,
 FIG. 7 is a rear view thereof.

1 Claim, 7 Drawing Sheets



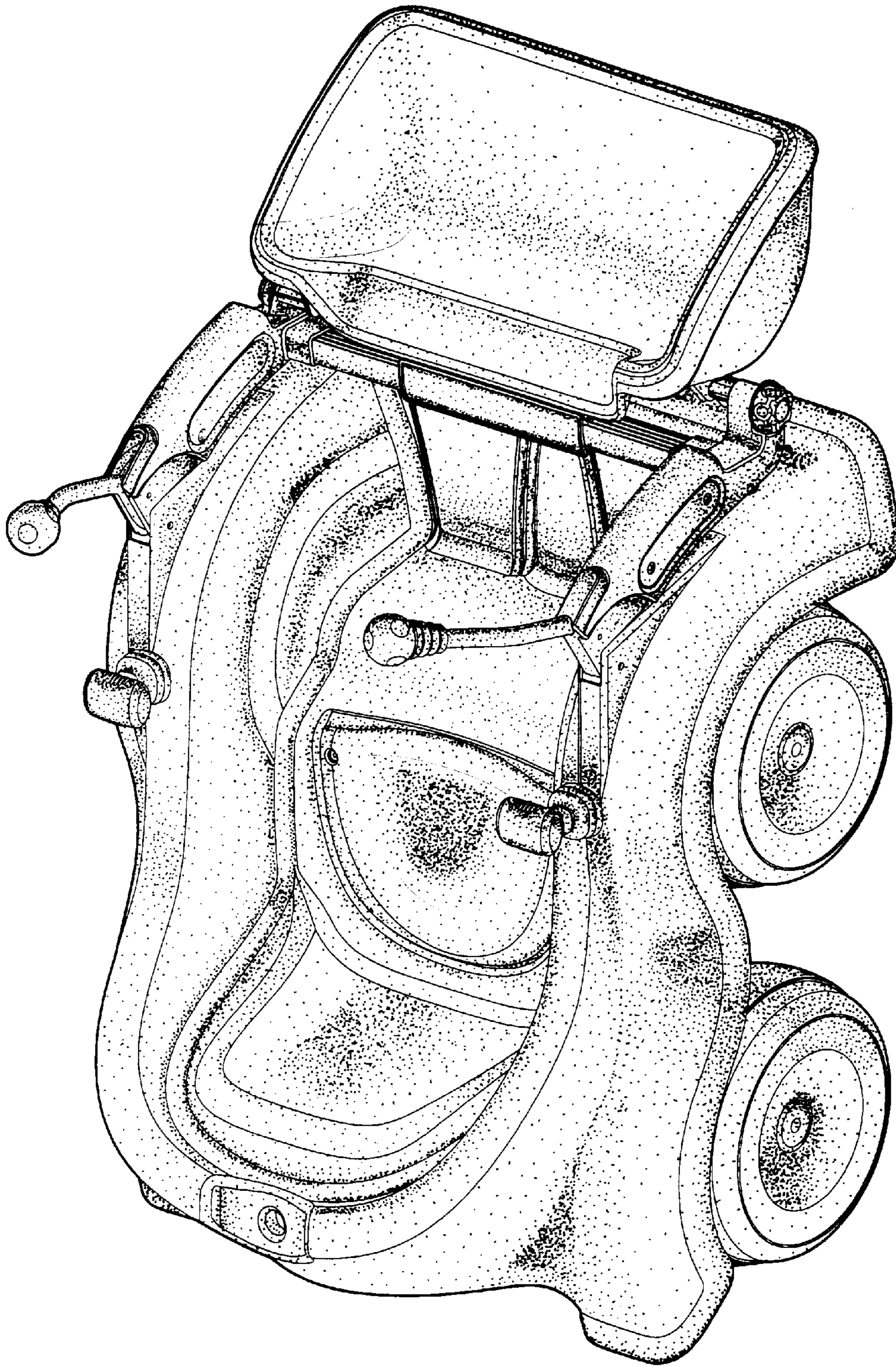


FIG. 1

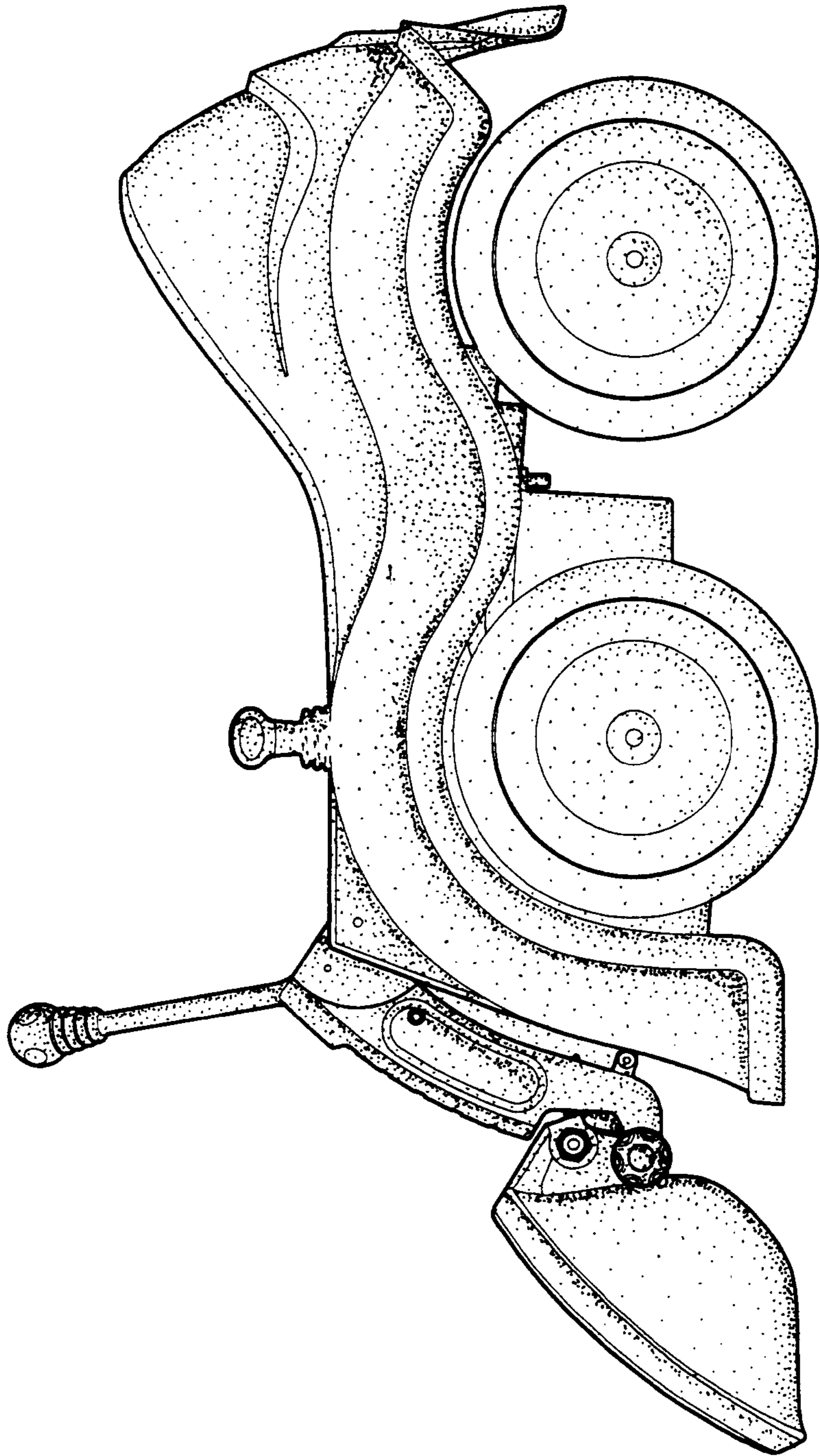


FIG. 2

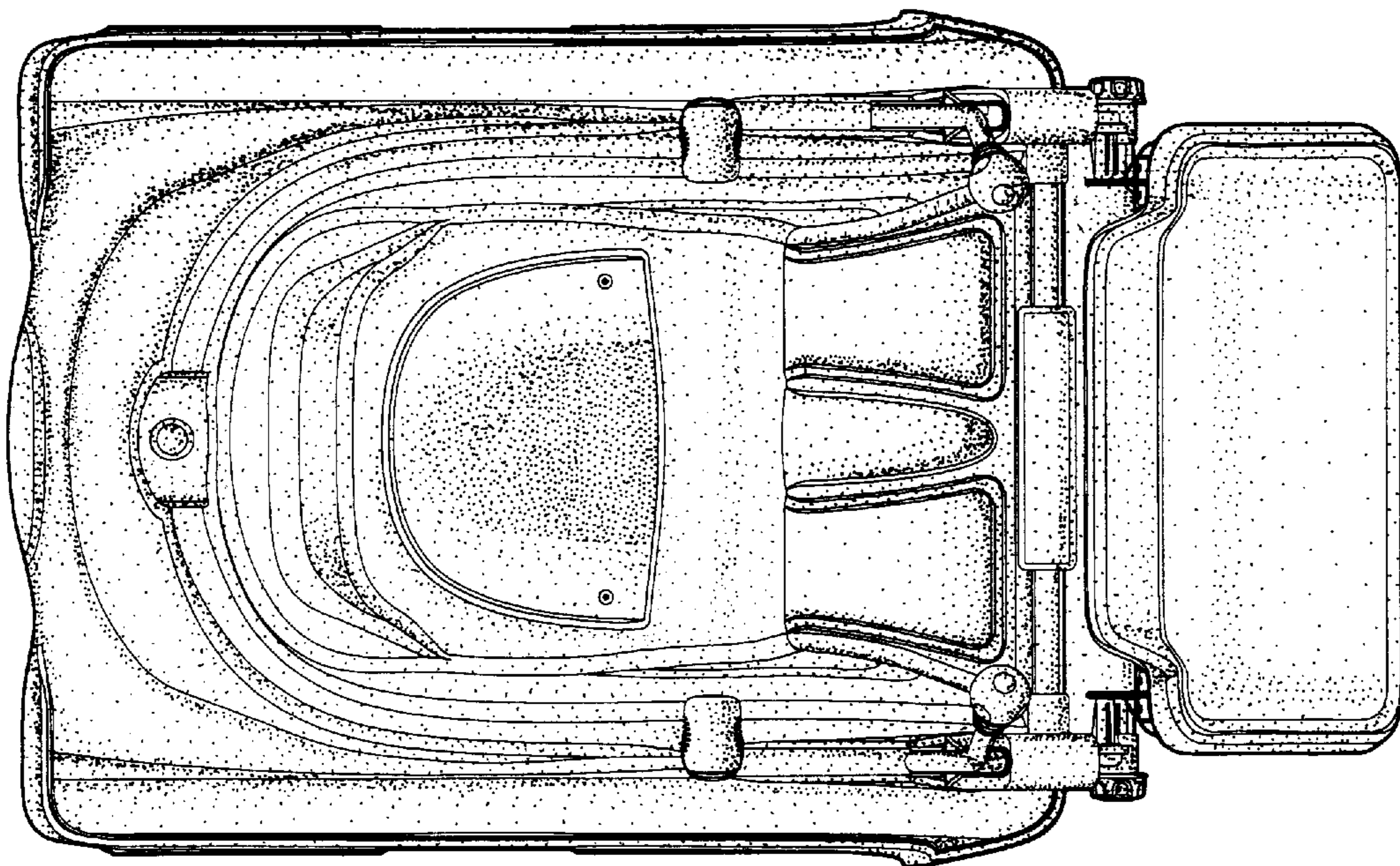


FIG. 3

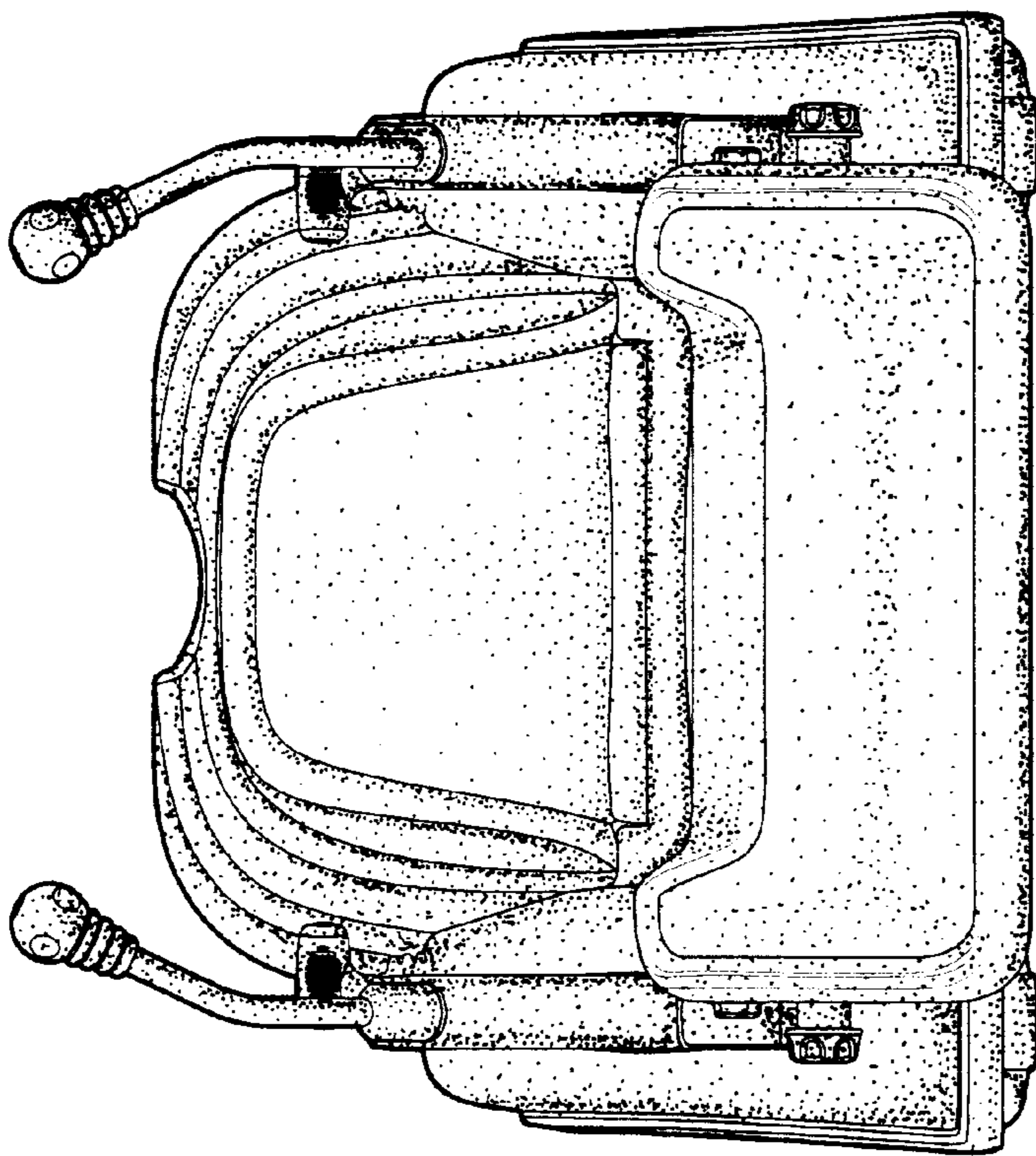


FIG. 4

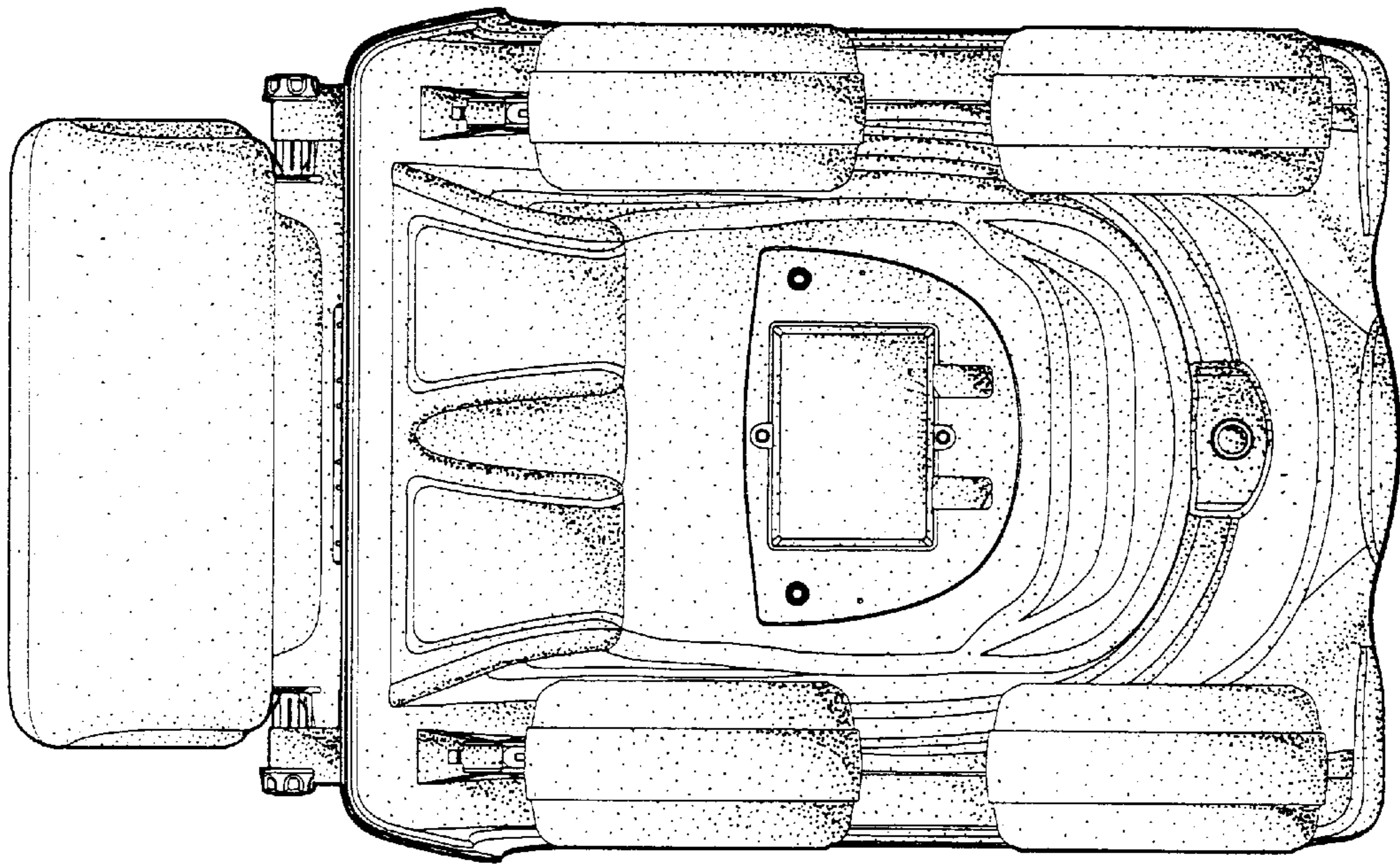


FIG. 5

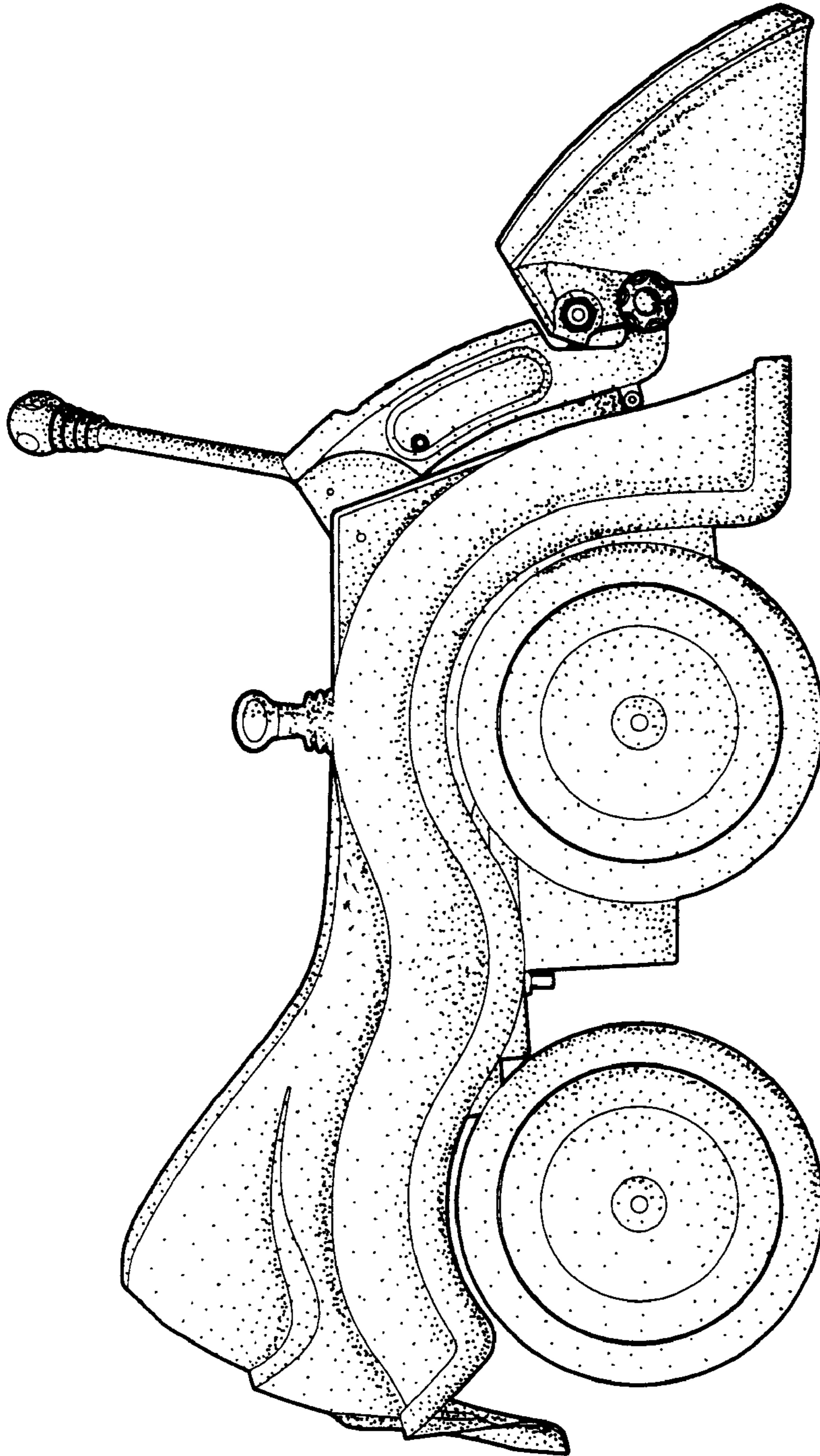


FIG. 6

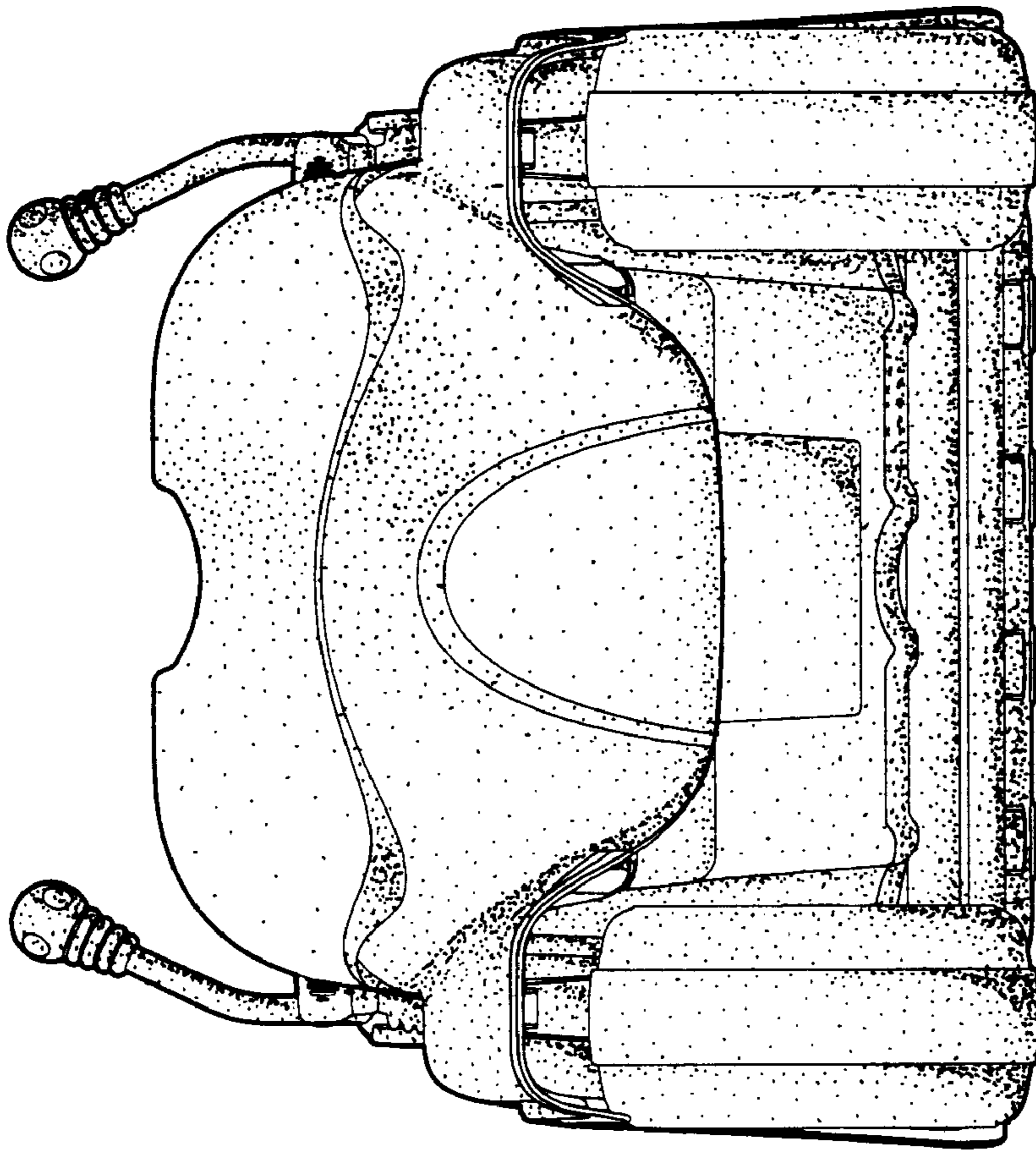


FIG. 7