



US00D446260S

(12) **United States Design Patent**
Bang

(10) **Patent No.:** **US D446,260 S**

(45) **Date of Patent:** **** Aug. 7, 2001**

- (54) **TRICK BAR FOR FOOT SCOOTER**
- (76) Inventor: **Richard Michael Bang**, 1562 Palisades Dr., Pacific Palisades, CA (US) 90272
- (**) Term: **14 Years**
- (21) Appl. No.: **29/138,092**
- (22) Filed: **Mar. 6, 2001**
- (51) **LOC (7) Cl.** **21-01**
- (52) **U.S. Cl.** **D21/423**
- (58) **Field of Search** D21/419, 421, D21/423, 424, 426, 435, 533, 760, 765, 771; D12/107, 110-112, 117; 280/87.01, 87.041, 87.042, 87.05, 278, 287, 221; 180/180, 181, 216, 219

- 5,927,734 * 7/1999 Horton et al. 280/87.042
- 6,120,044 * 9/2000 Tsai 280/87.05

* cited by examiner

Primary Examiner—Raphael Barkai
(74) *Attorney, Agent, or Firm*—Kelly Bauersfeld Lowry & Kelley, LLP

(57) **CLAIM**

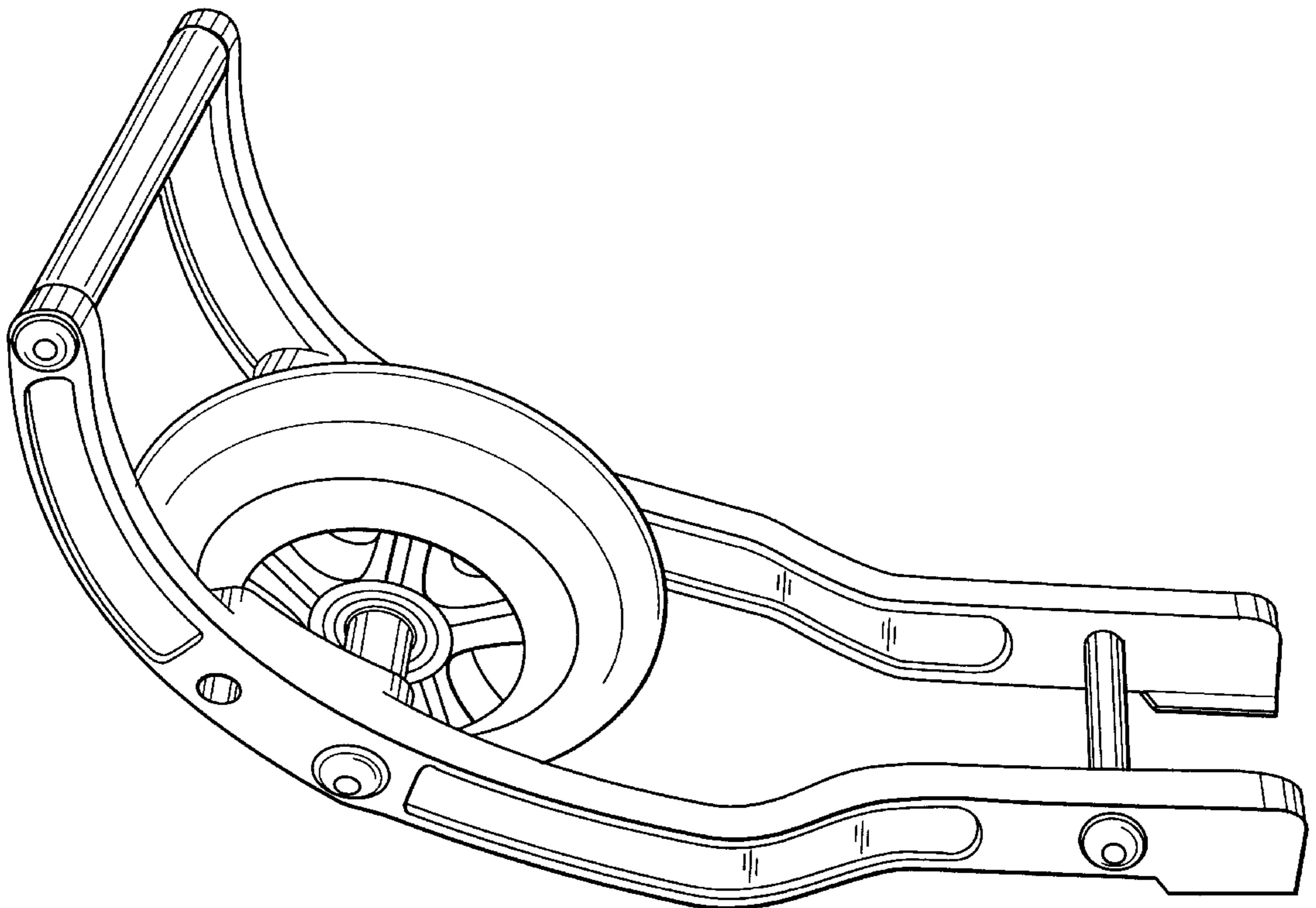
The ornamental design for a trick bar for foot scooter, as shown and described.

DESCRIPTION

FIG. 1 is a top and right side perspective view of a trick bar for foot scooter embodying my new design; FIG. 2 is a front elevational view thereof; FIG. 3 is a rear elevational view thereof; FIG. 4 is a right side elevational view thereof, the left side elevational view being a mirror image; FIG. 5 is a top plan view thereof; and, FIG. 6 is a bottom plan view thereof.

- (56) **References Cited**
- U.S. PATENT DOCUMENTS**
- 3,992,029 * 11/1976 Washizawa 280/221
- 5,927,733 * 7/1999 Banda 280/87.041

1 Claim, 4 Drawing Sheets



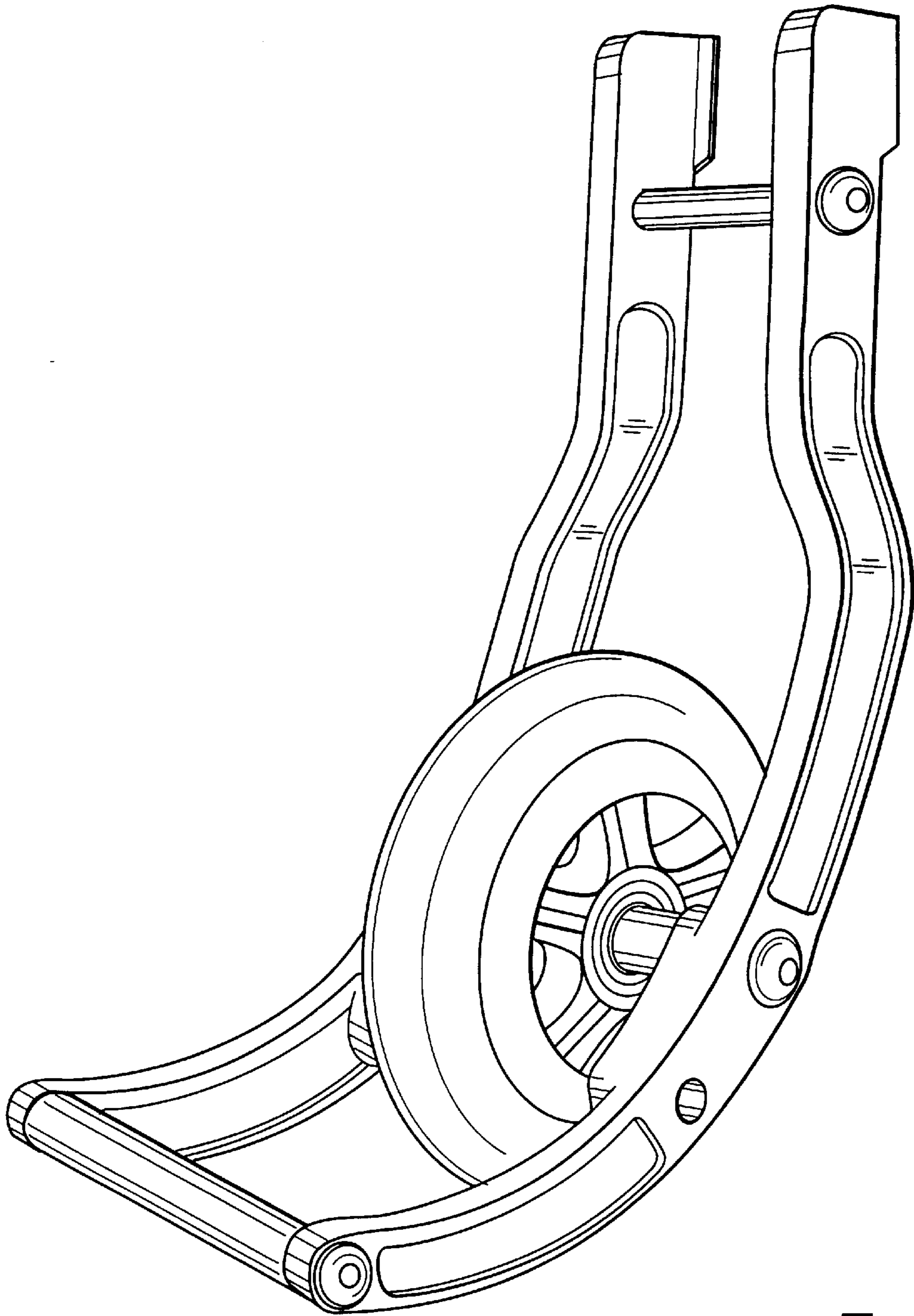


FIG. 1

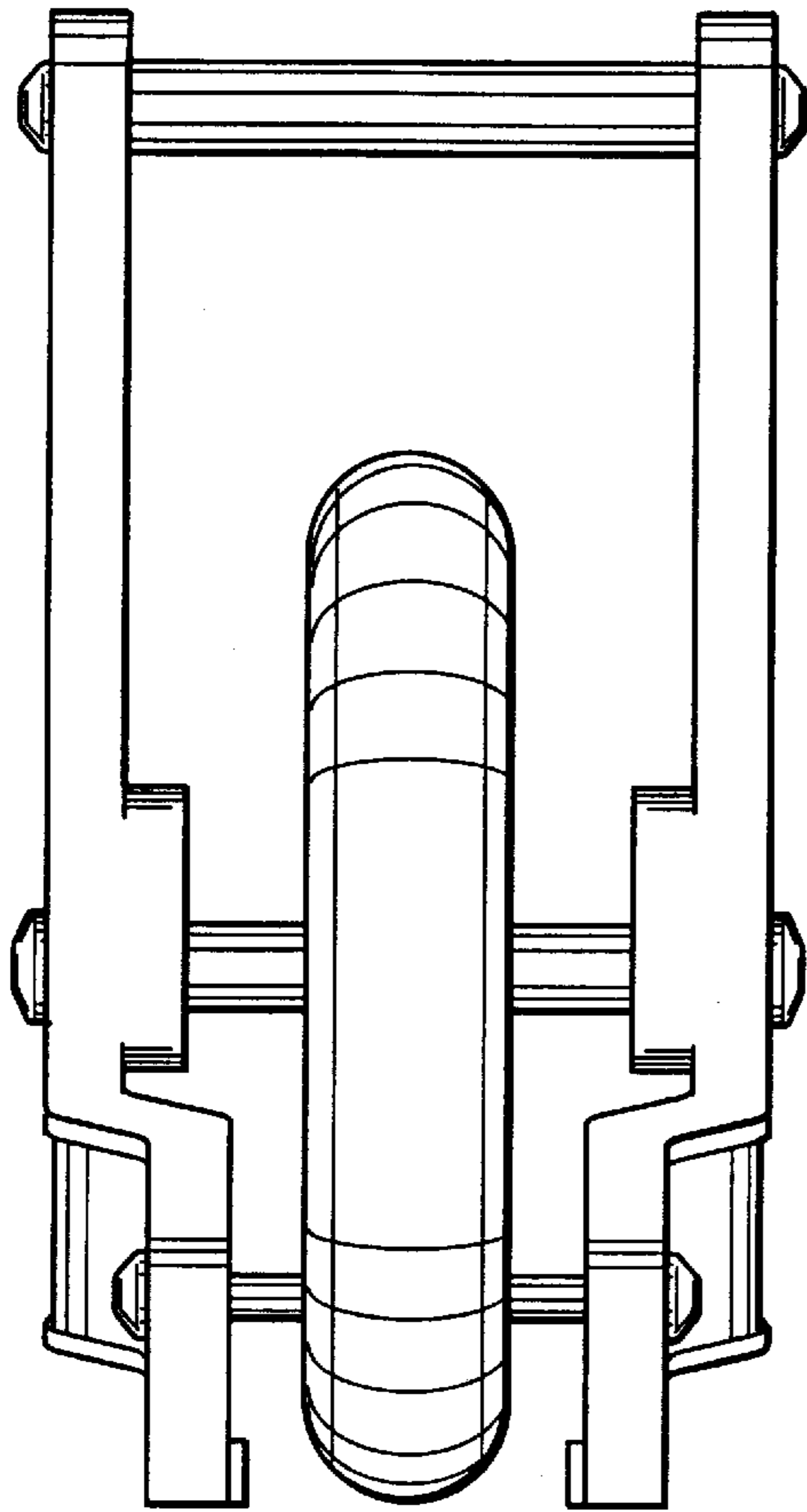


FIG. 2

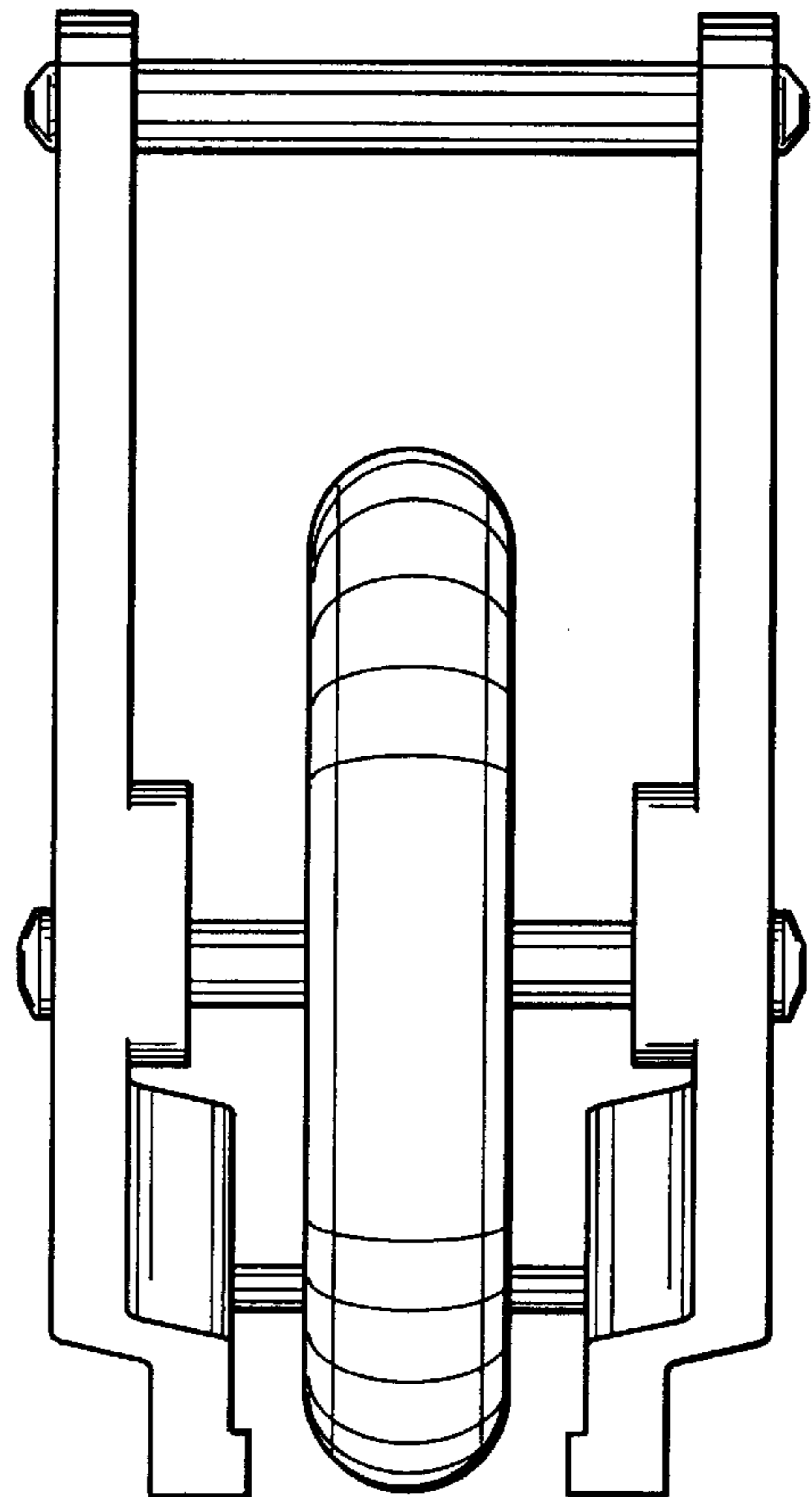


FIG. 3

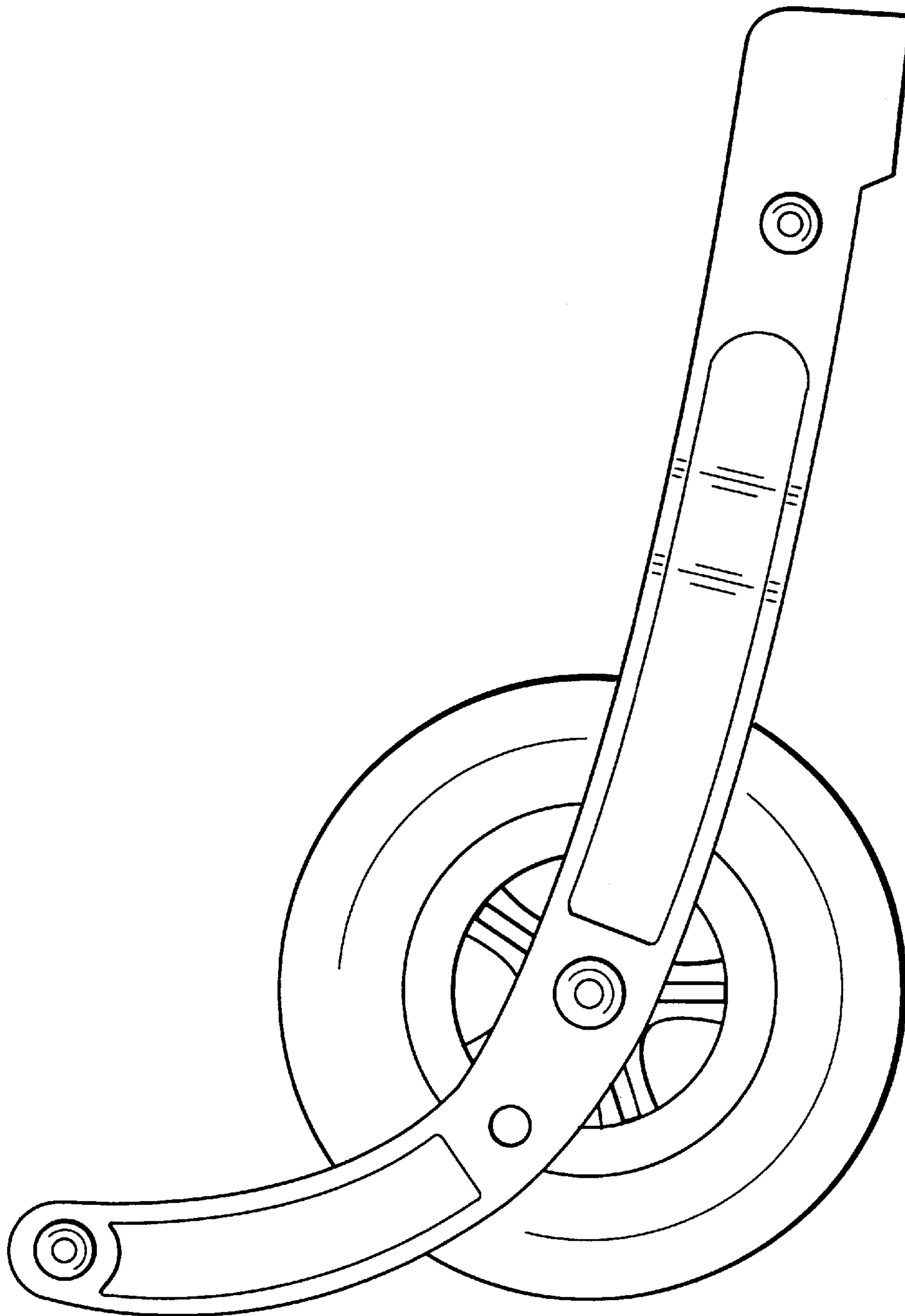


FIG. 4

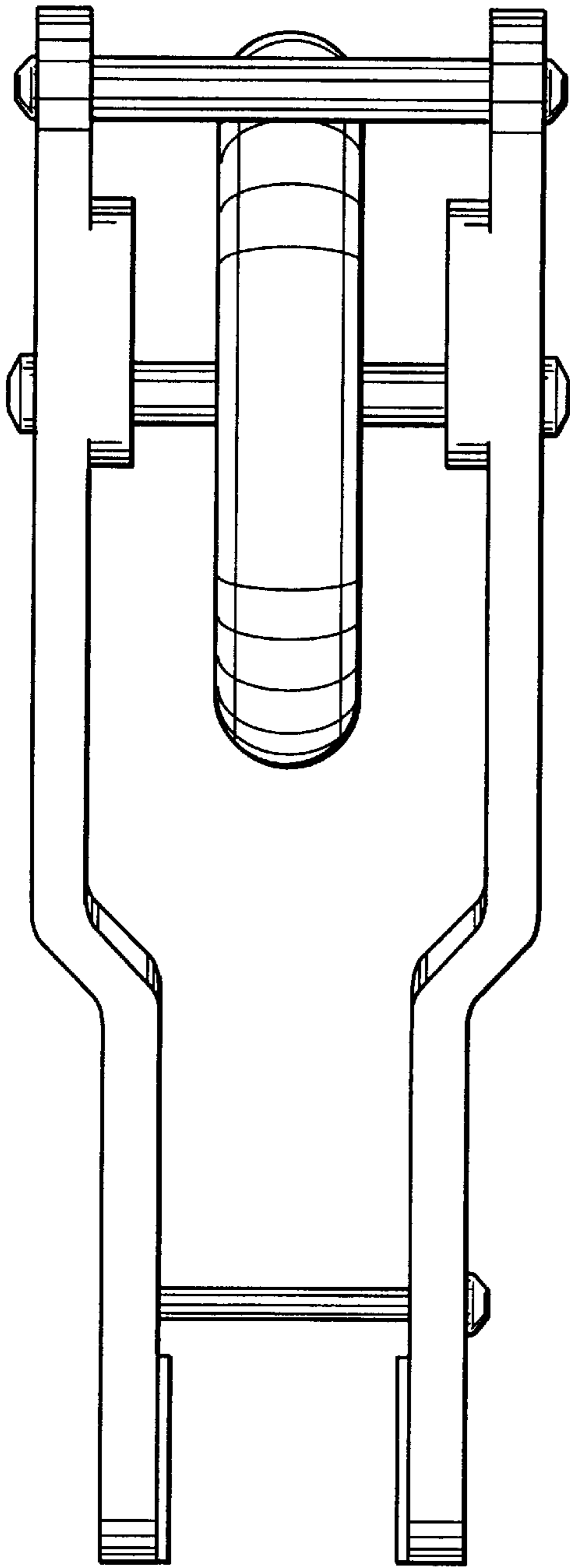


FIG. 5

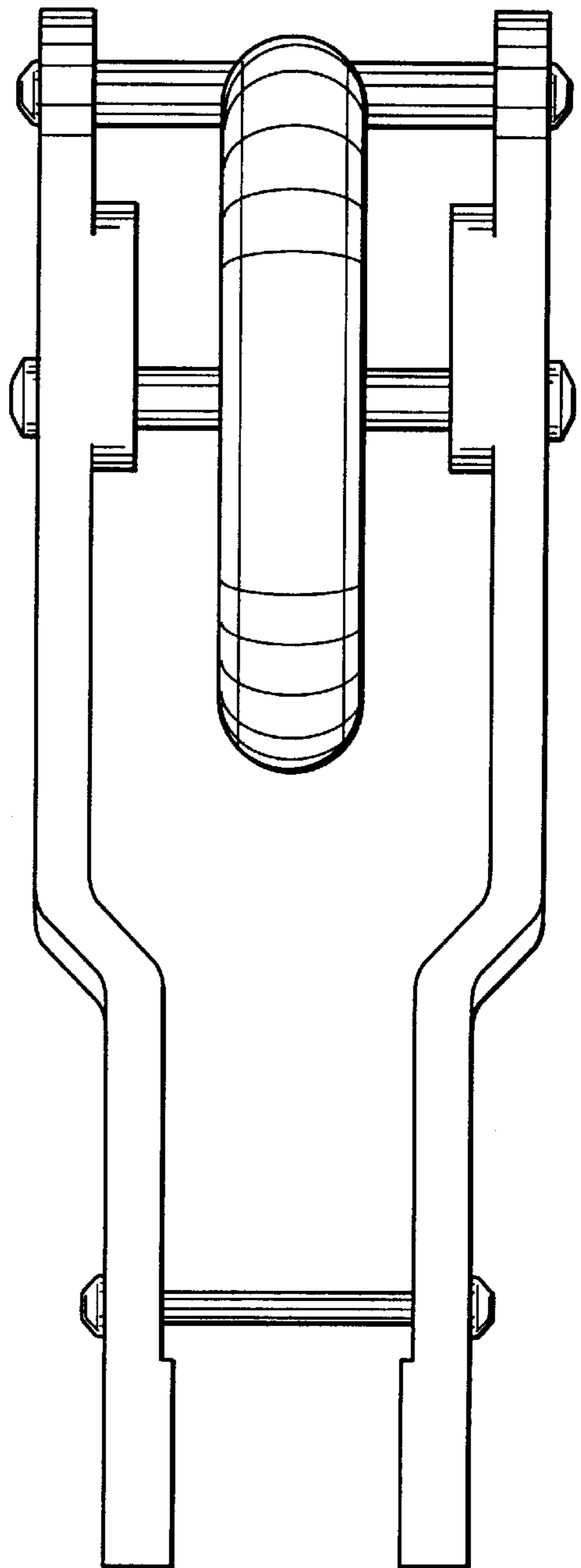


FIG. 6