



US00D446259S

(12) **United States Design Patent**
Udwin et al.

(10) **Patent No.:** **US D446,259 S**

(45) **Date of Patent:** **** Aug. 7, 2001**

(54) **SCOOTER WITH REAR WHEEL BRAKE**

6,120,044 * 9/2000 Tsai 280/87.05

6,158,751 * 12/2000 Wu 280/87.041

6,173,976 * 1/2001 Lee 280/87.041

(75) Inventors: **Steven C. Udwin; David Tarica**, both of Tenafly; **Marshall L. Weingarden**, Haworth, all of NJ (US)

* cited by examiner

(73) Assignee: **Enor Corporation**, Northvale, NJ (US)

Primary Examiner—Raphael Barkai

(**) Term: **14 Years**

(74) *Attorney, Agent, or Firm*—Weingram & Associates, P.C.

(21) Appl. No.: **29/137,536**

(57) **CLAIM**

(22) Filed: **Feb. 22, 2001**

We claim the ornamental design for a scooter with rear wheel brake, as shown and described.

Related U.S. Application Data

DESCRIPTION

(63) Continuation-in-part of application No. 29/128,127, filed on Aug. 18, 2000.

FIG. 1 is a perspective view showing my design for a scooter with rear wheel brake according to the present invention;

(51) **LOC (7) Cl.** **21-01**

FIG. 2 is a side view thereof;

(52) **U.S. Cl.** **D21/423**

FIG. 3 is a side view thereof opposite to that shown in FIG. 2;

(58) **Field of Search** D21/419, 421, D21/423, 424, 426, 435, 533, 760, 765, 771; D12/107, 110-112; 280/87.01, 87.041, 87.042, 87.05; 180/181, 216

FIG. 4 is a front view thereof;

FIG. 5 is a rear view thereof;

FIG. 6 is a top view thereof;

(56) **References Cited**

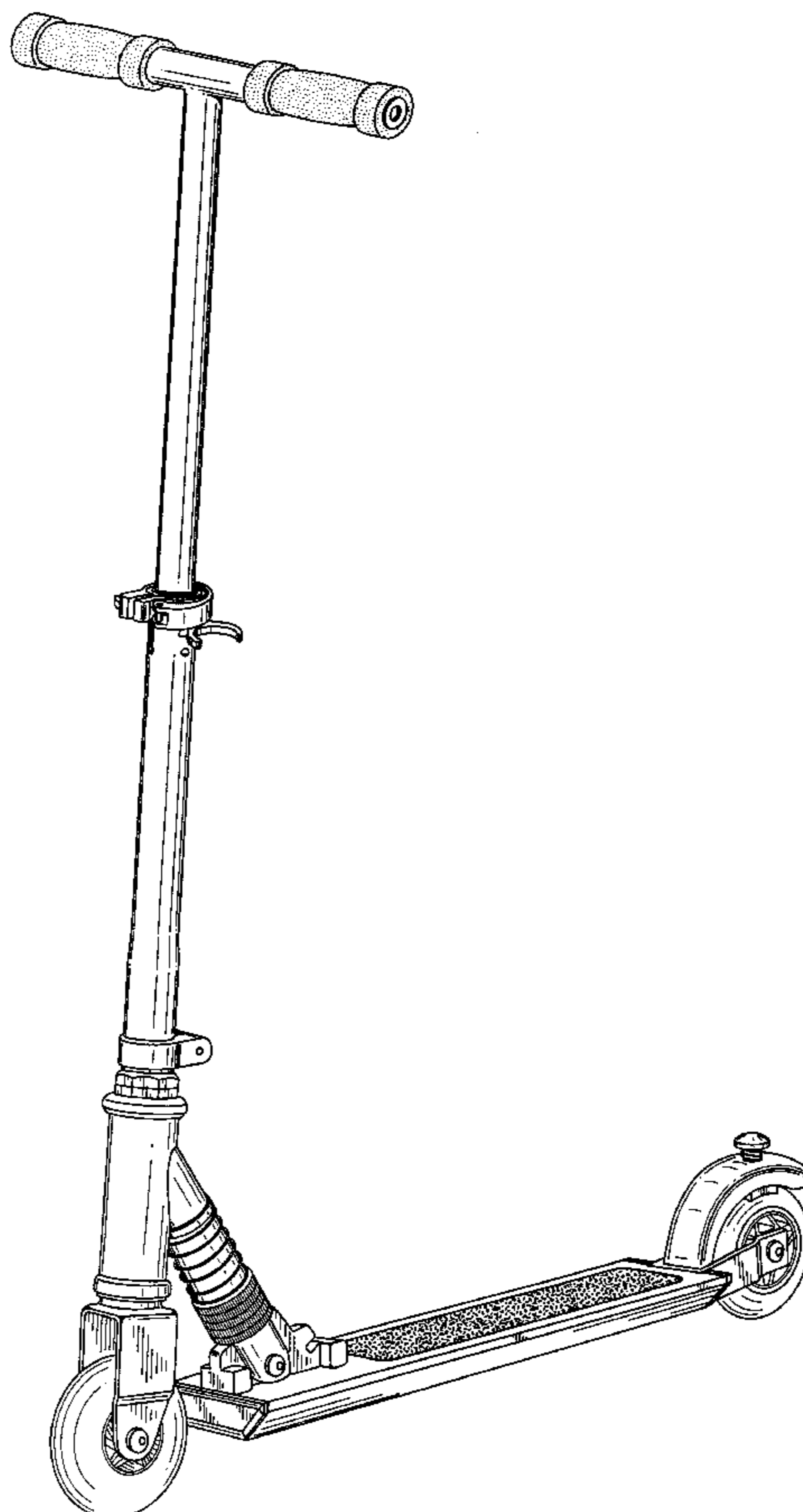
FIG. 7 is a bottom view thereof; and,

FIG. 8 is a perspective view of my design being collapsed.

U.S. PATENT DOCUMENTS

D. 438,912 * 3/2001 Barrera D21/423

1 Claim, 8 Drawing Sheets



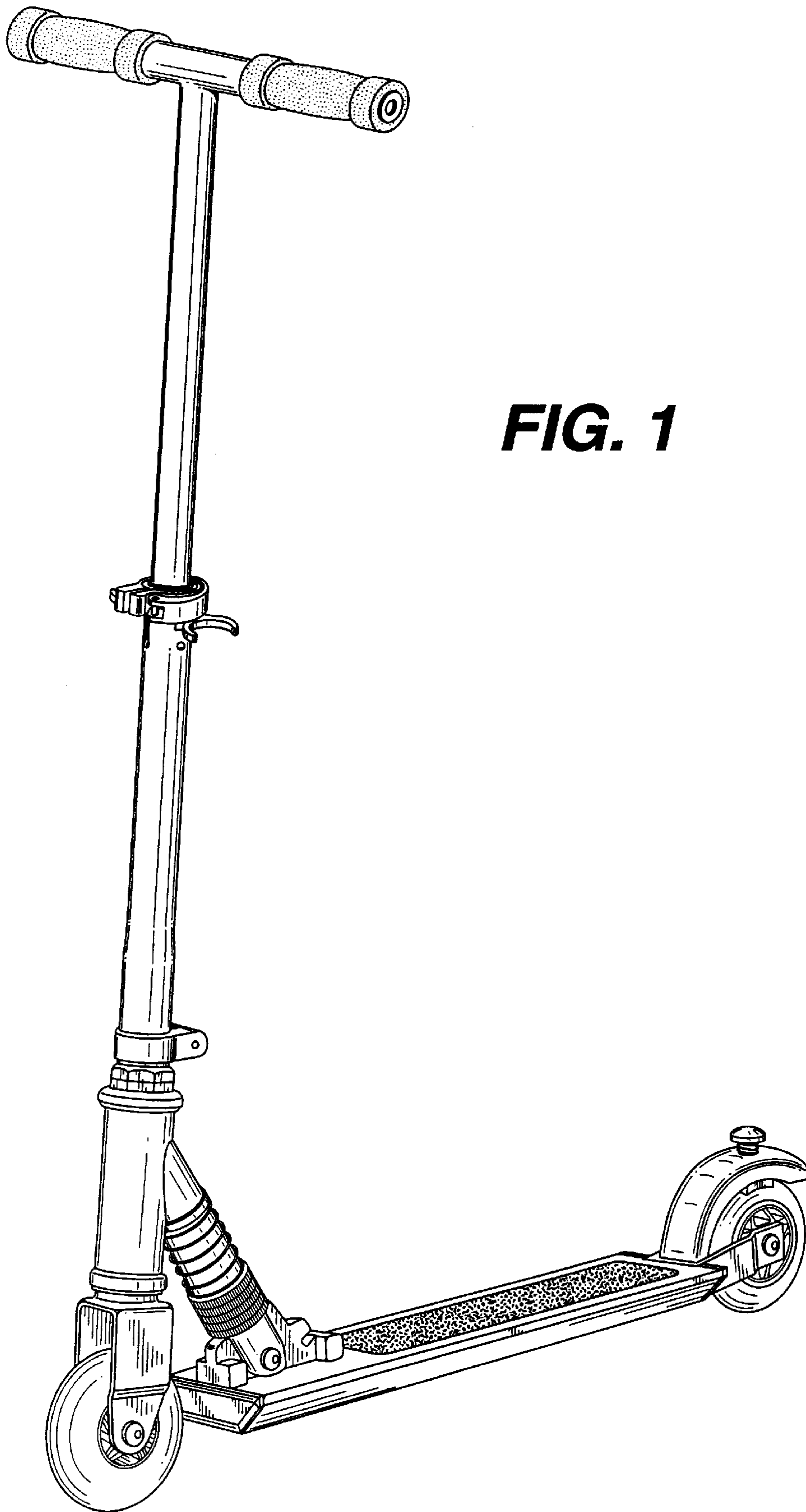


FIG. 1

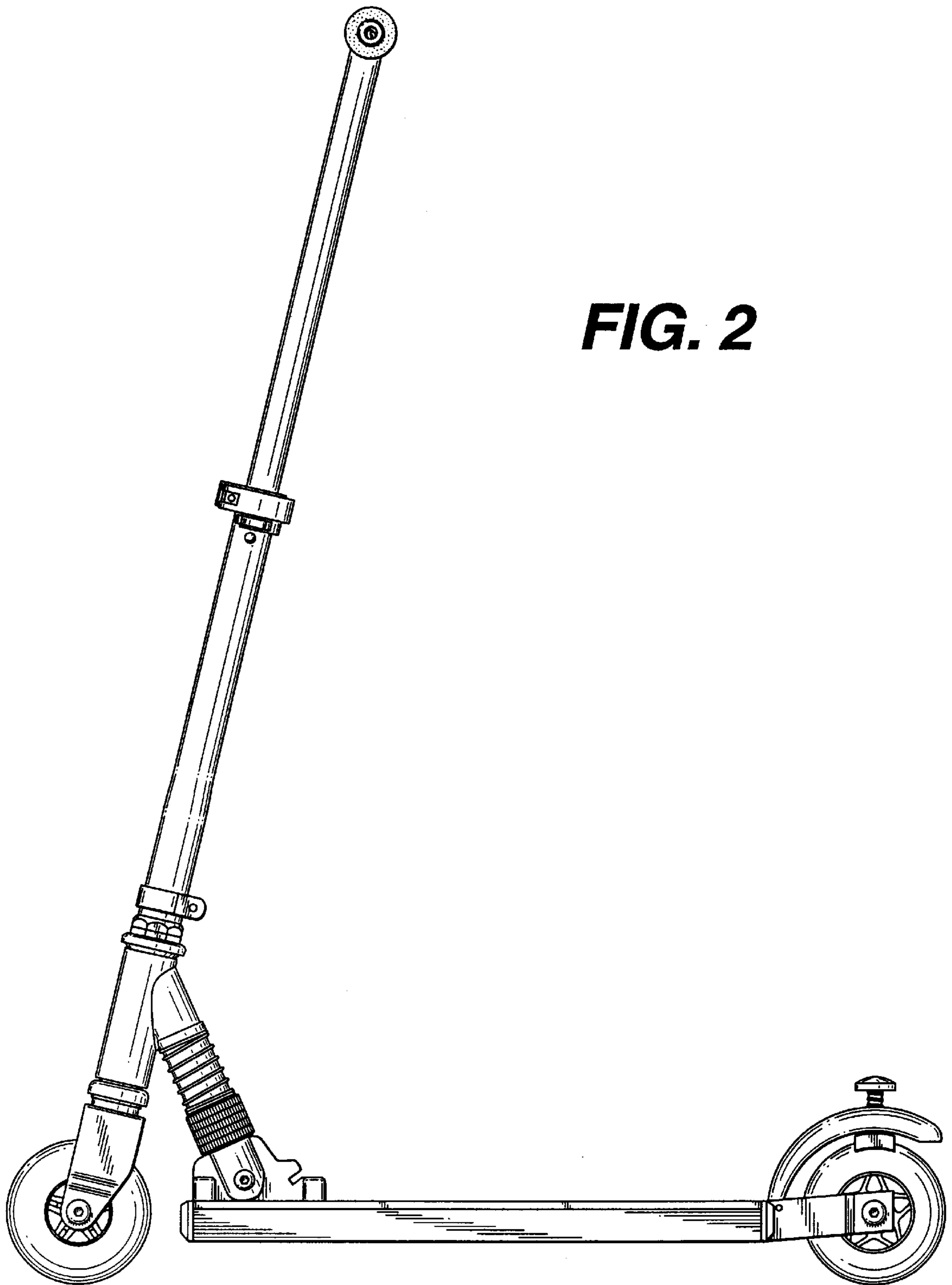
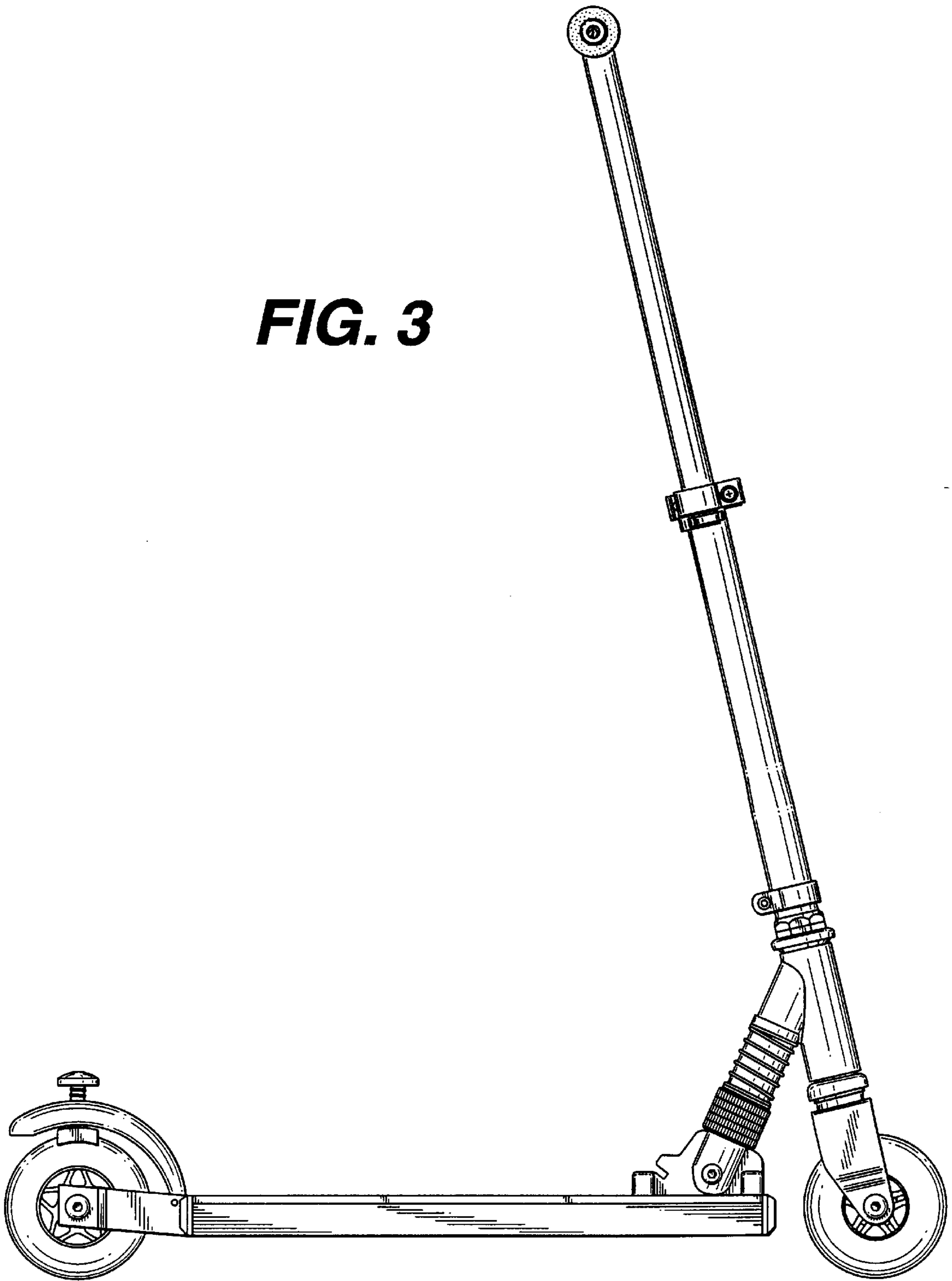


FIG. 2

FIG. 3



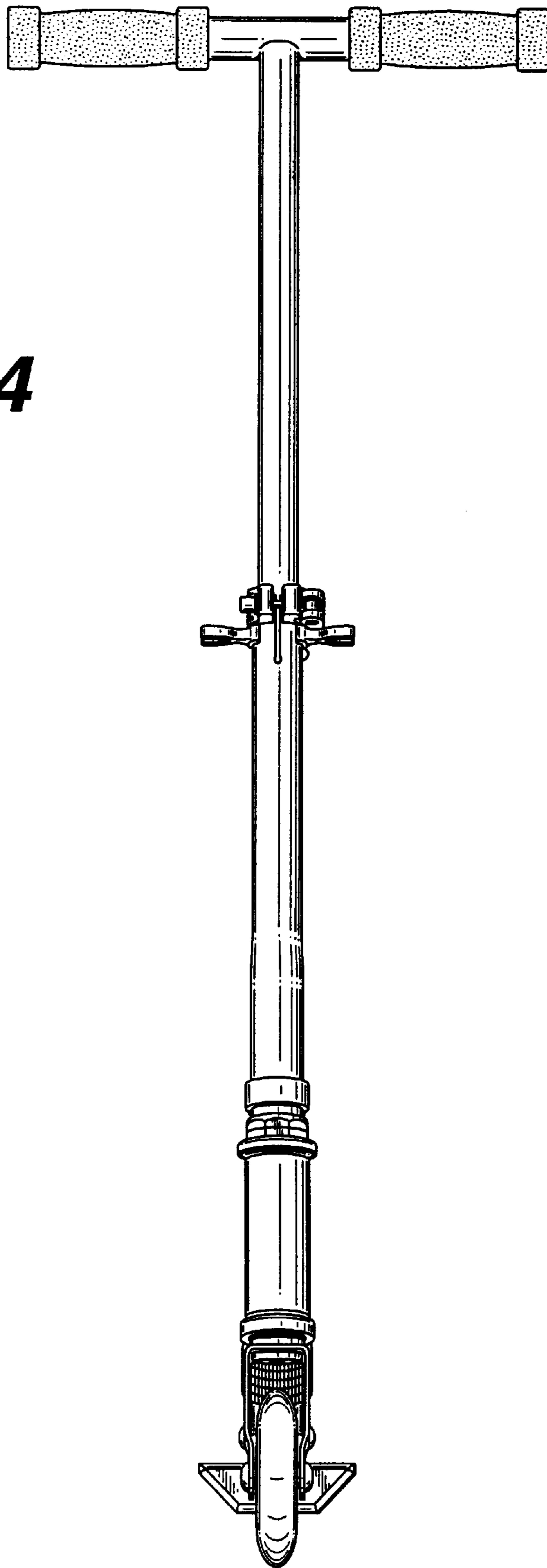


FIG. 4

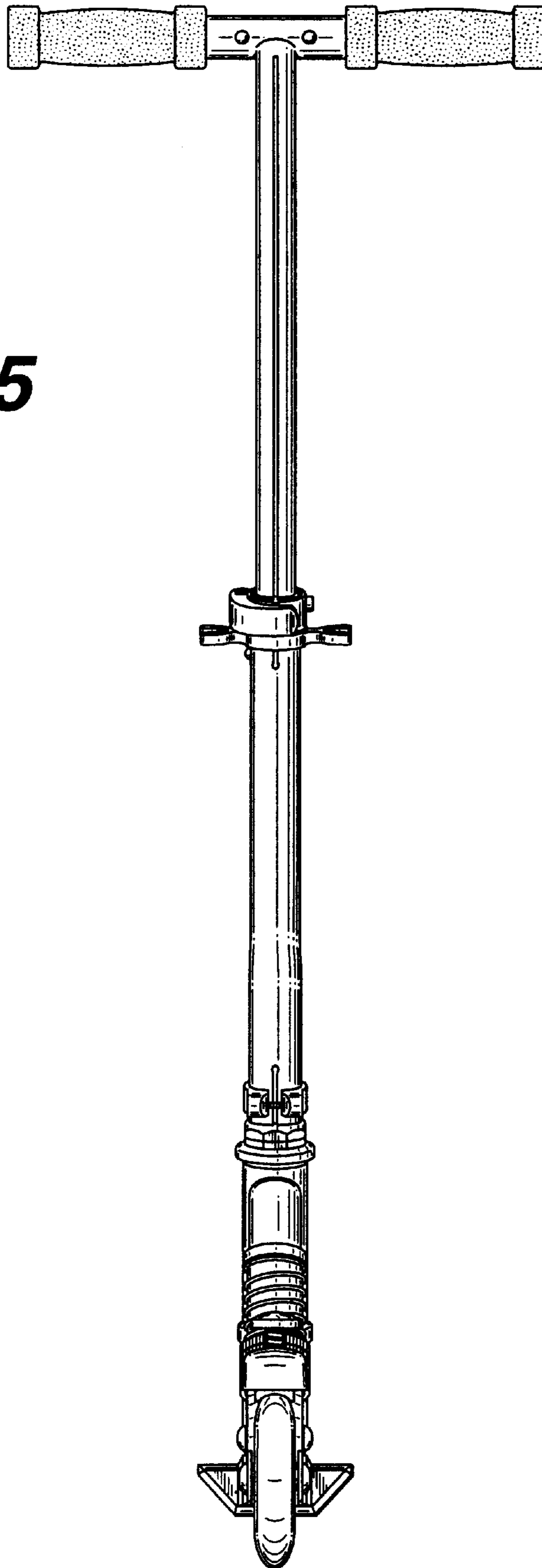


FIG. 5

FIG. 6

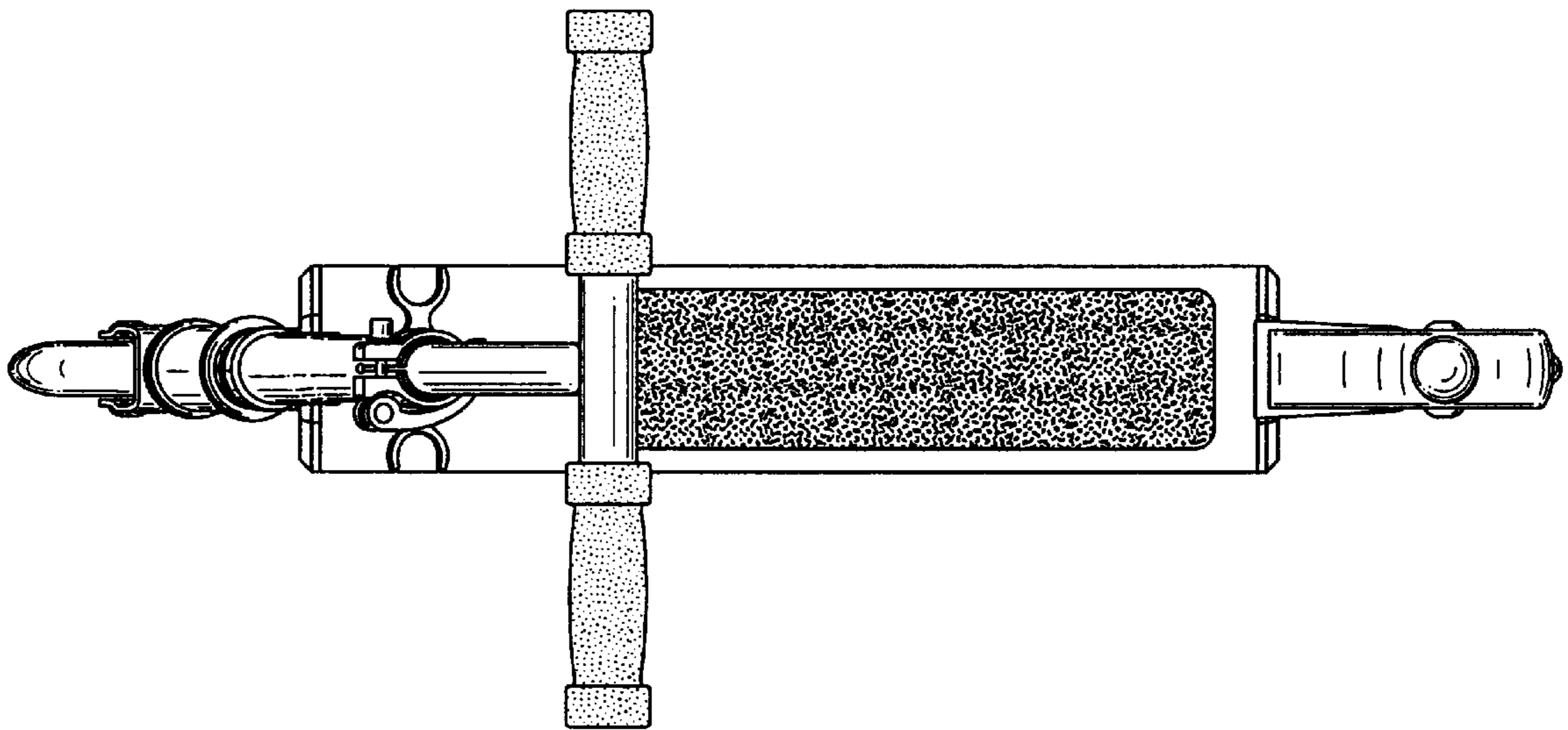


FIG. 7

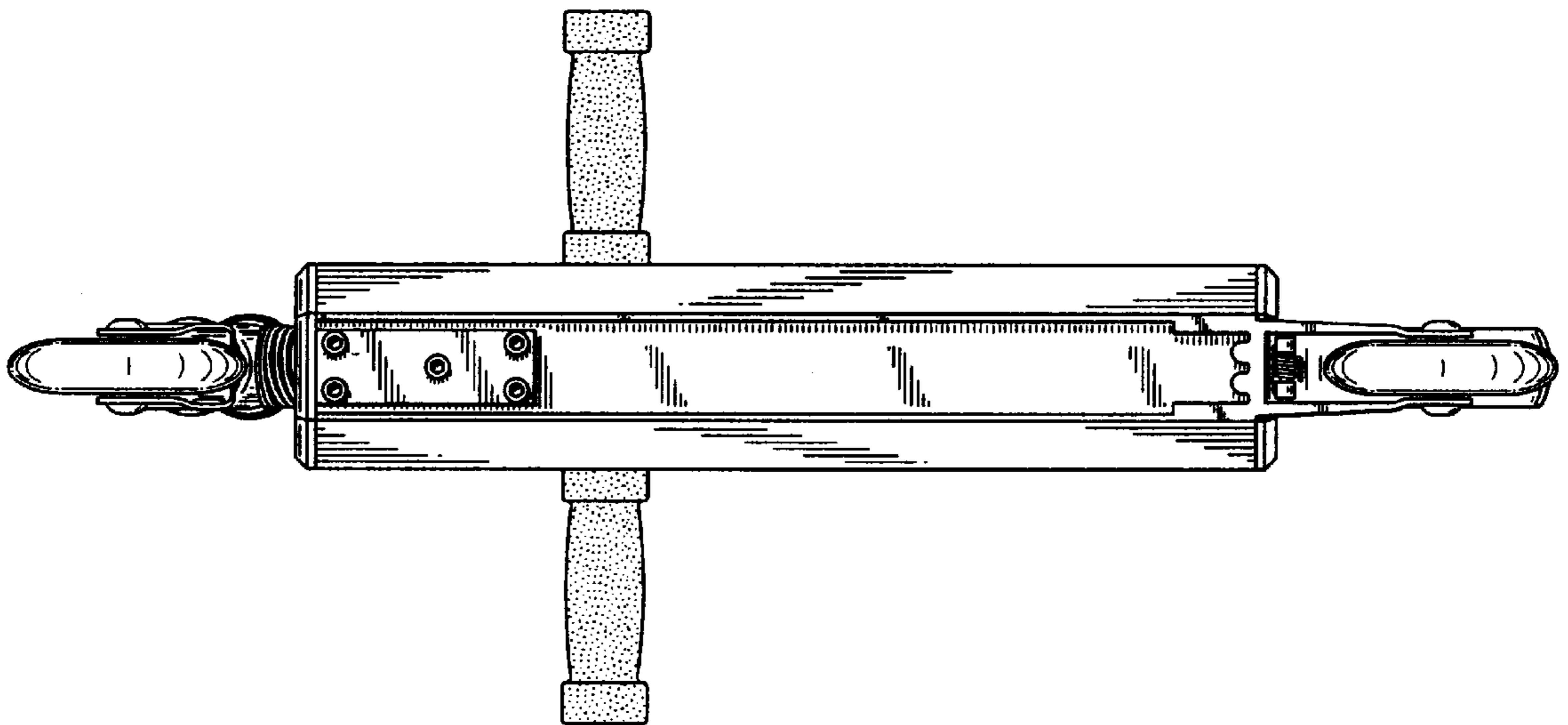


FIG. 8

