



US00D446258S

(12) **United States Design Patent**
Wang

(10) **Patent No.:** **US D446,258 S**

(45) **Date of Patent:** **** Aug. 7, 2001**

(54) **SKATE CART**

(76) **Inventor:** **Yuh-Yun Wang**, No. 6, Tung-Shi Lane,
Jang-Shan Village, Waipu, Taichung
(TW)

(**) **Term:** **14 Years**

(21) **Appl. No.:** **29/134,342**

(22) **Filed:** **Dec. 19, 2000**

(51) **LOC (7) Cl.** **21-01**

(52) **U.S. Cl.** **D21/423**

(58) **Field of Search** D21/419, 421,
D21/423, 424, 426, 435, 533, 760, 765,
771; D12/107, 110-112; 280/87.01, 87.04,
87.041, 87.042, 87.05; 180/180, 181, 216,
219

(56) **References Cited**

U.S. PATENT DOCUMENTS

- D. 146,365 * 2/1947 Kinslow D21/423
- D. 276,828 * 12/1984 Sampson D21/423
- D. 435,873 * 1/2001 Lee D21/423
- D. 438,911 * 3/2001 Chen D21/423

- 4,775,162 * 10/1988 Chao 280/87.041
- 4,828,284 * 5/1989 Sandgren 280/87.041
- 6,120,044 * 9/2000 Tsai 280/87.041
- 6,173,976 * 1/2001 Lee 280/87.041

* cited by examiner

Primary Examiner—Raphael Barkai

(74) *Attorney, Agent, or Firm*—Jiawei Huang; J.C. Patents

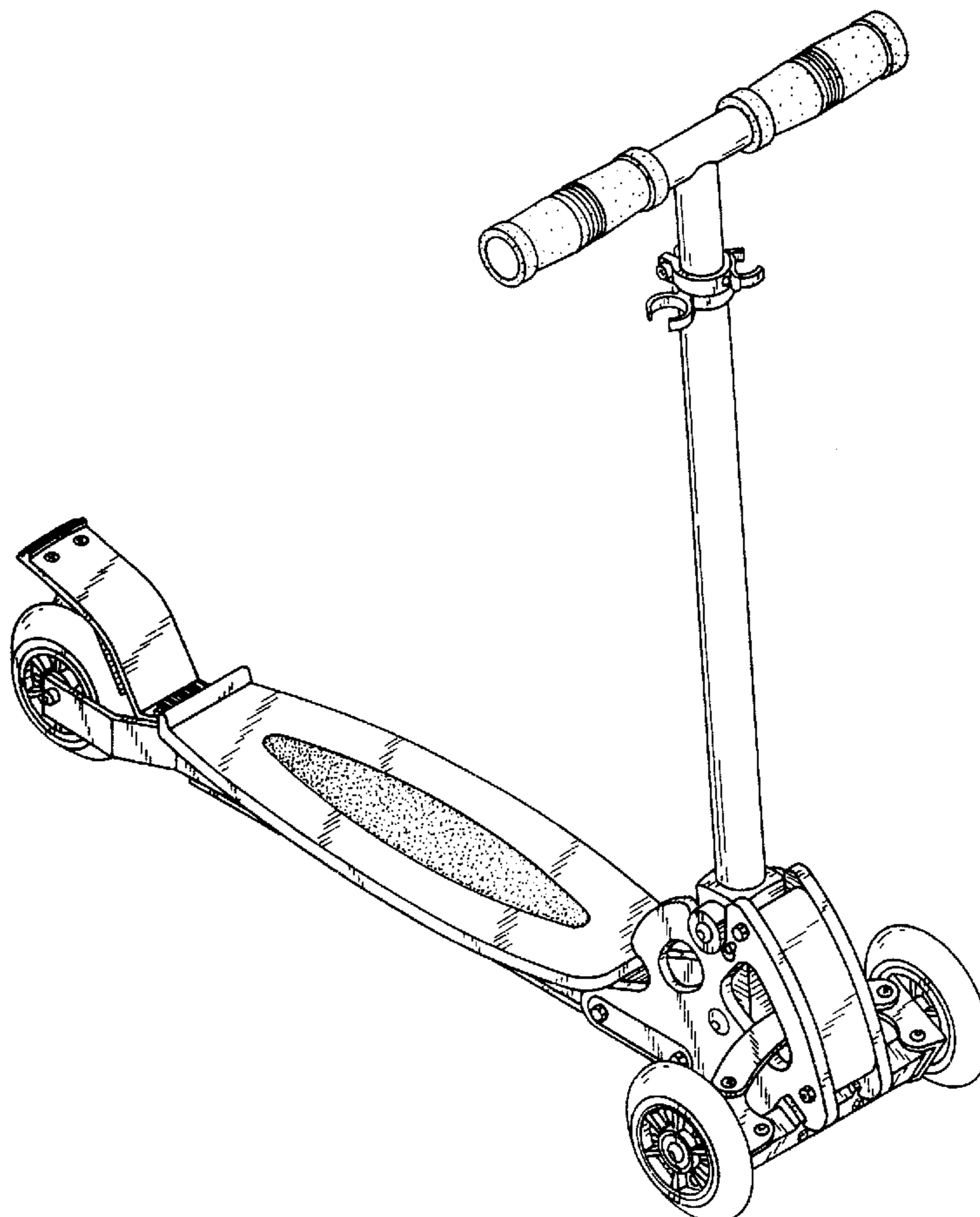
(57) **CLAIM**

I claim the ornamental design for a skate cart, as shown and described.

DESCRIPTION

FIG. 1 is a front perspective view of a skate cart showing my new design;
 FIG. 2 is a front elevational view thereof;
 FIG. 3 is a rear elevational view thereof;
 FIG. 4 is a left side elevational view thereof;
 FIG. 5 is a right side elevational view thereof;
 FIG. 6 is a top plan view thereof;
 FIG. 7 is a bottom plan view thereof; and,
 FIG. 8 is a left side elevational view in closing position.

1 Claim, 5 Drawing Sheets



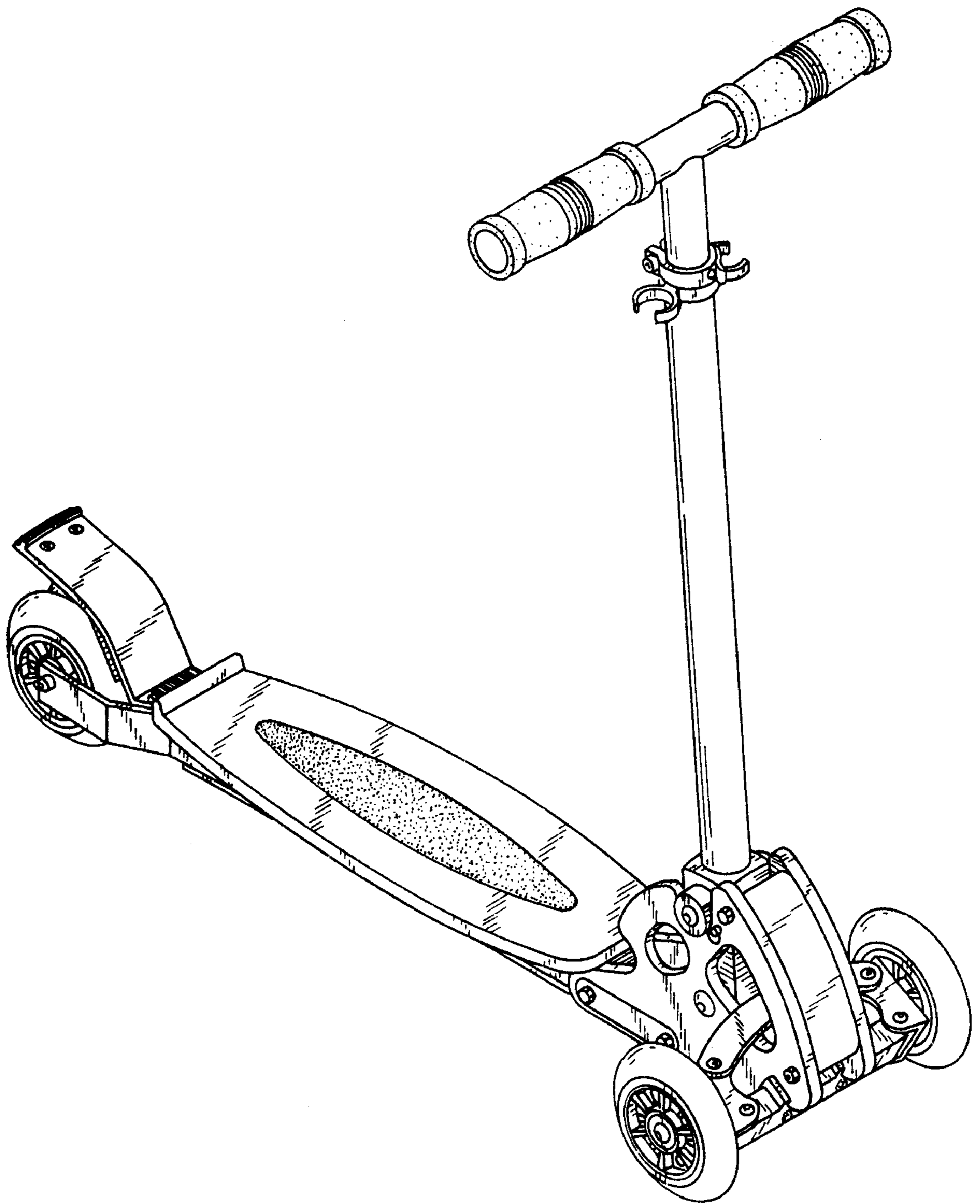


FIG. 1

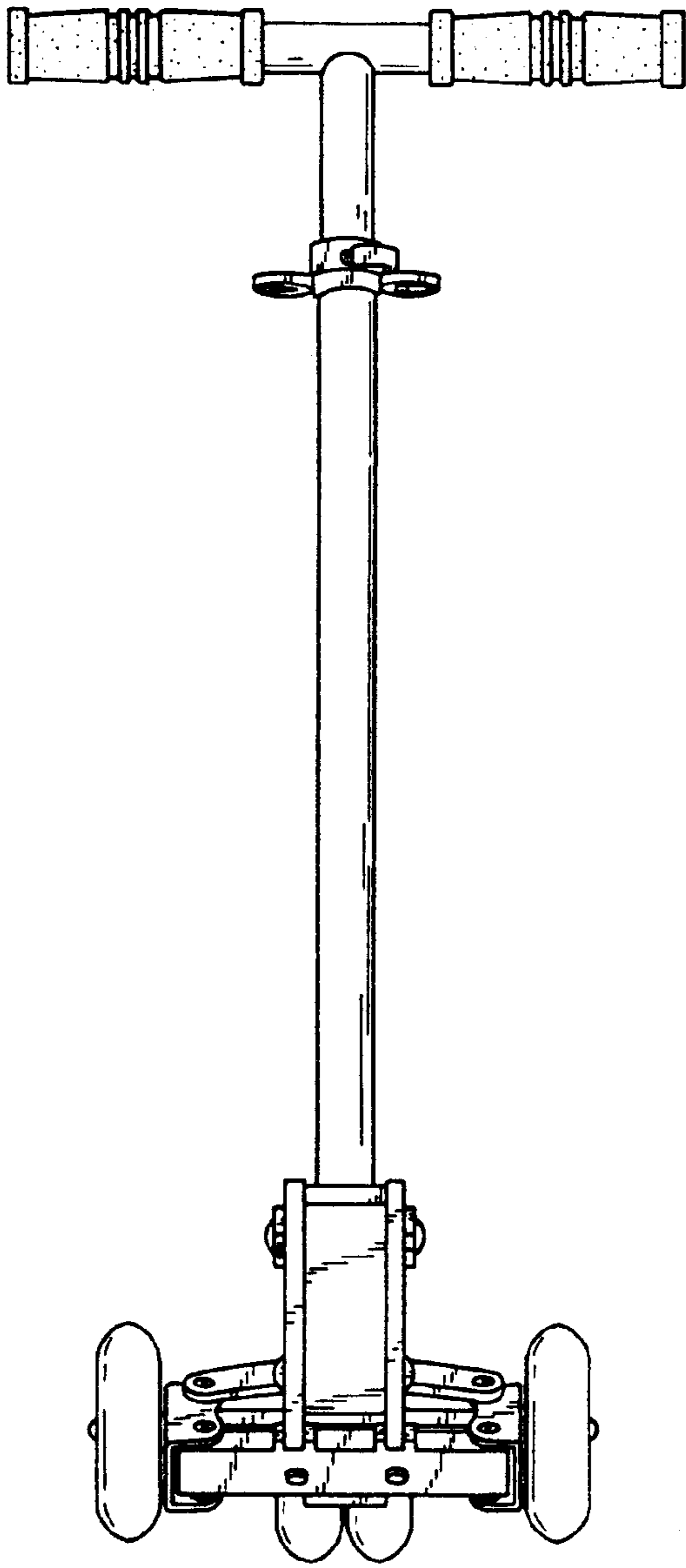


FIG. 2

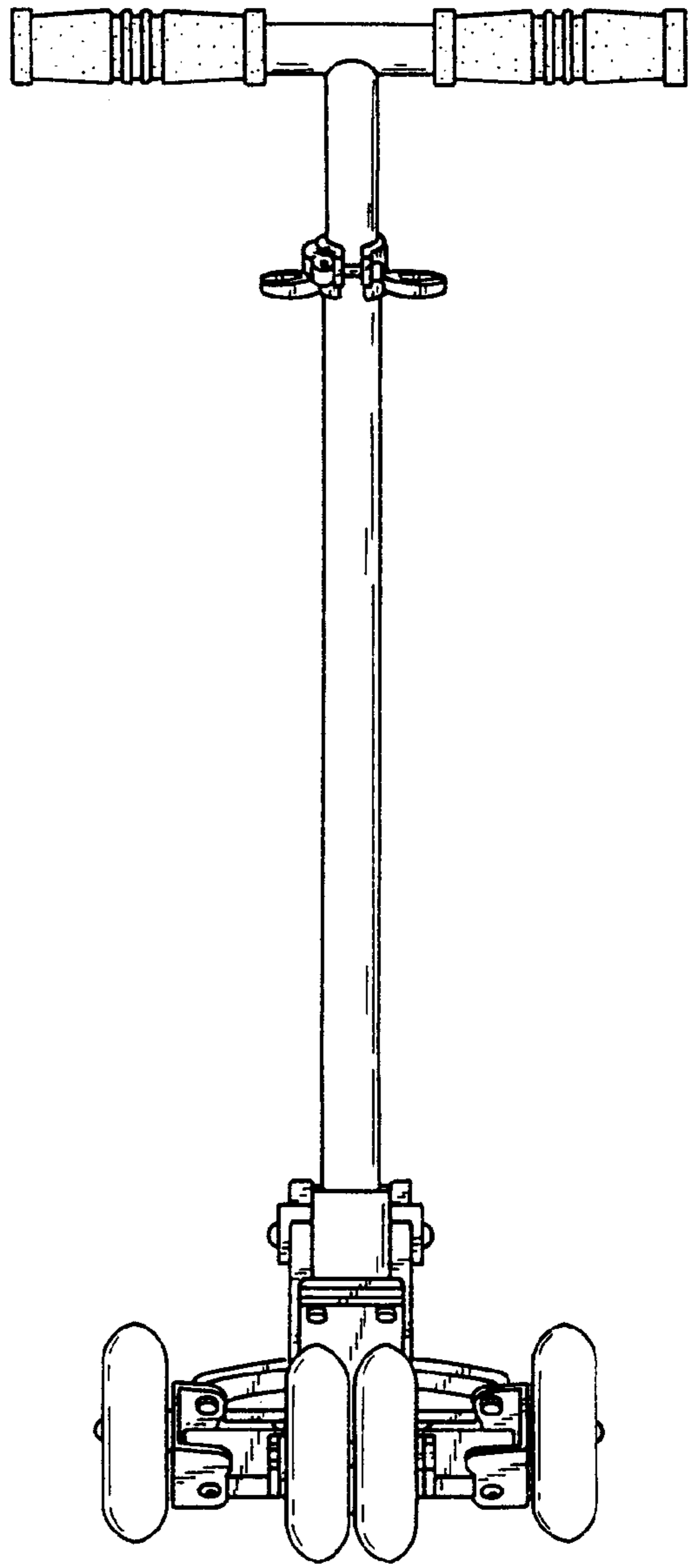


FIG. 3

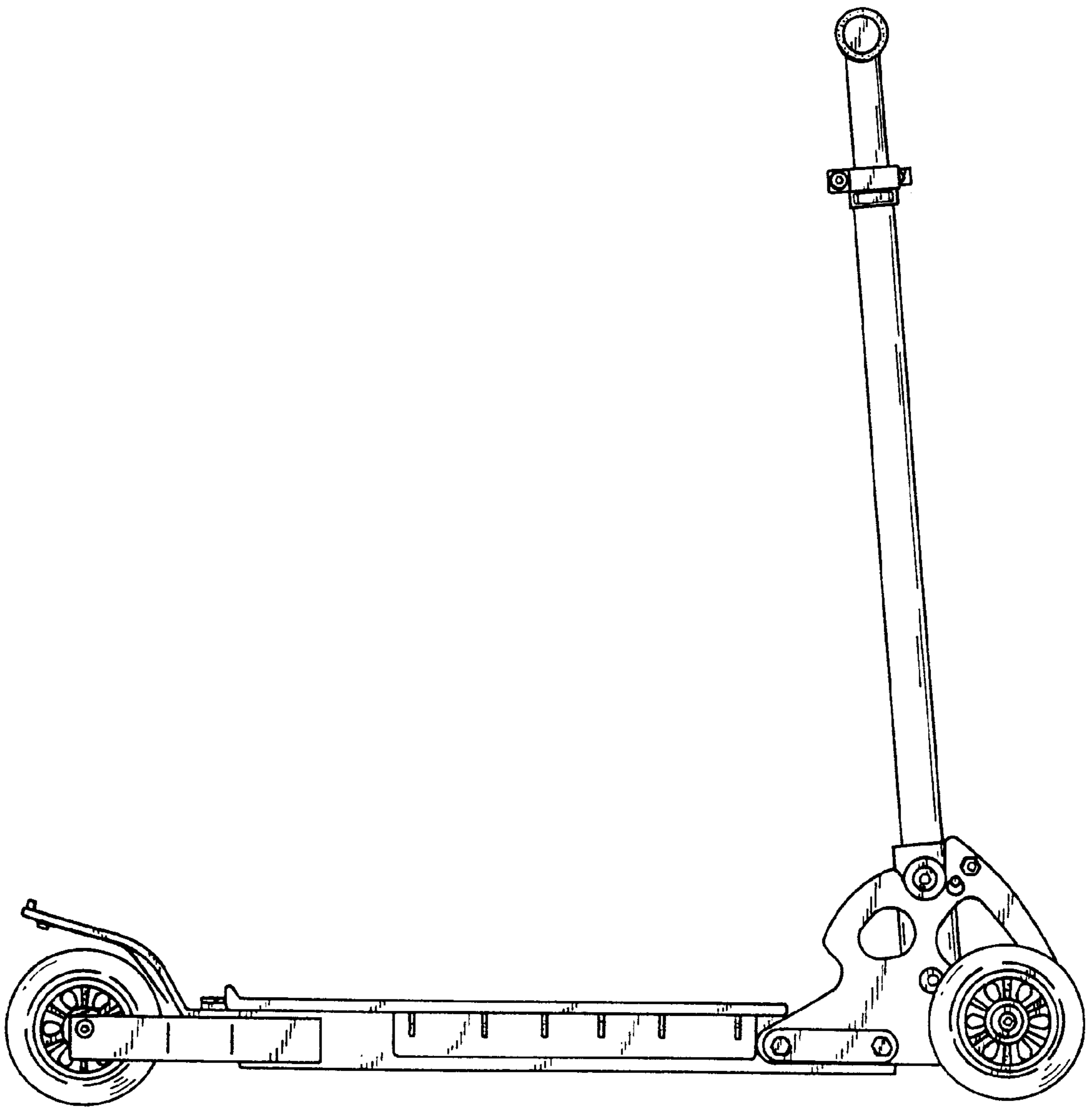


FIG. 4

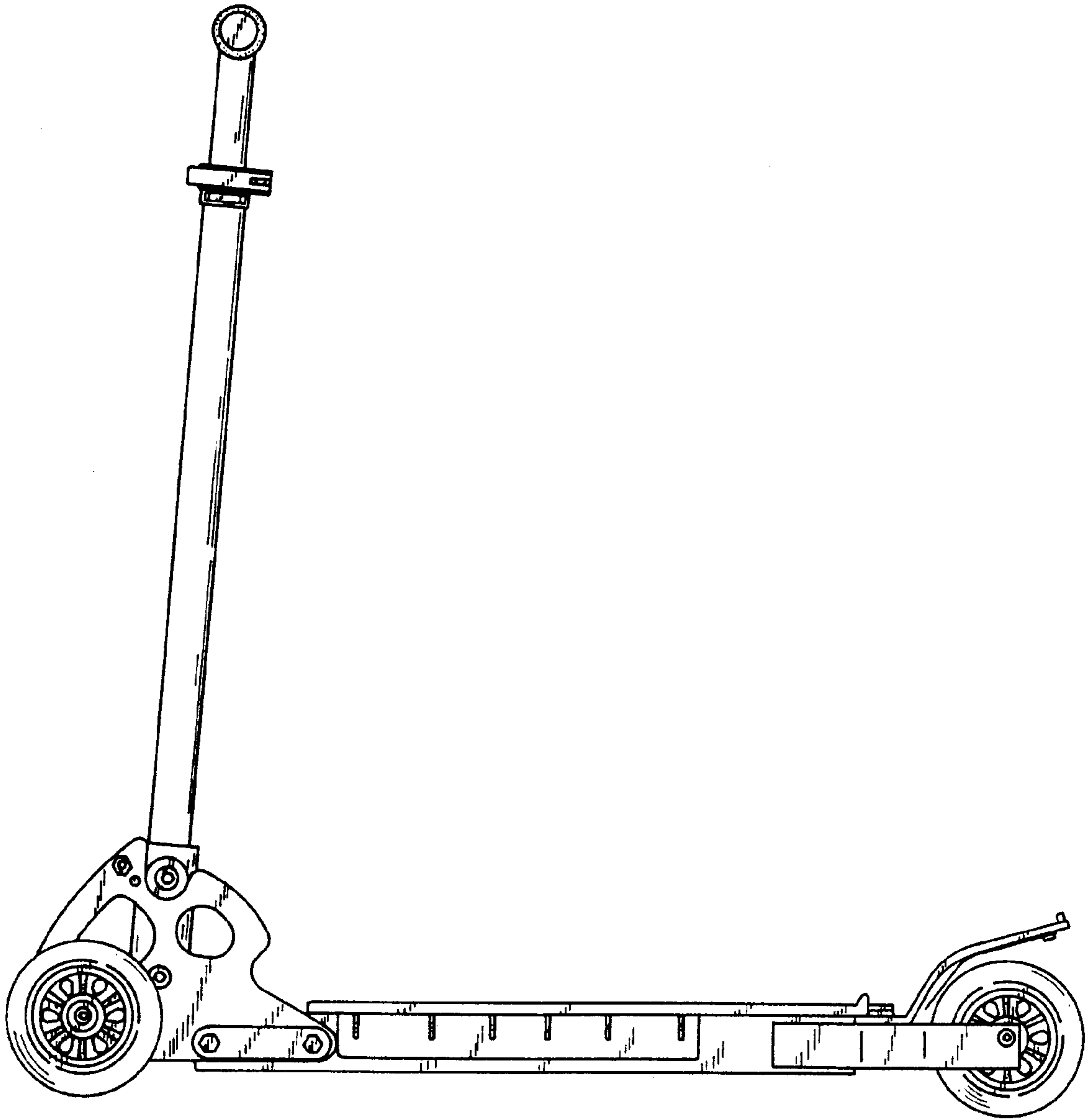


FIG. 5

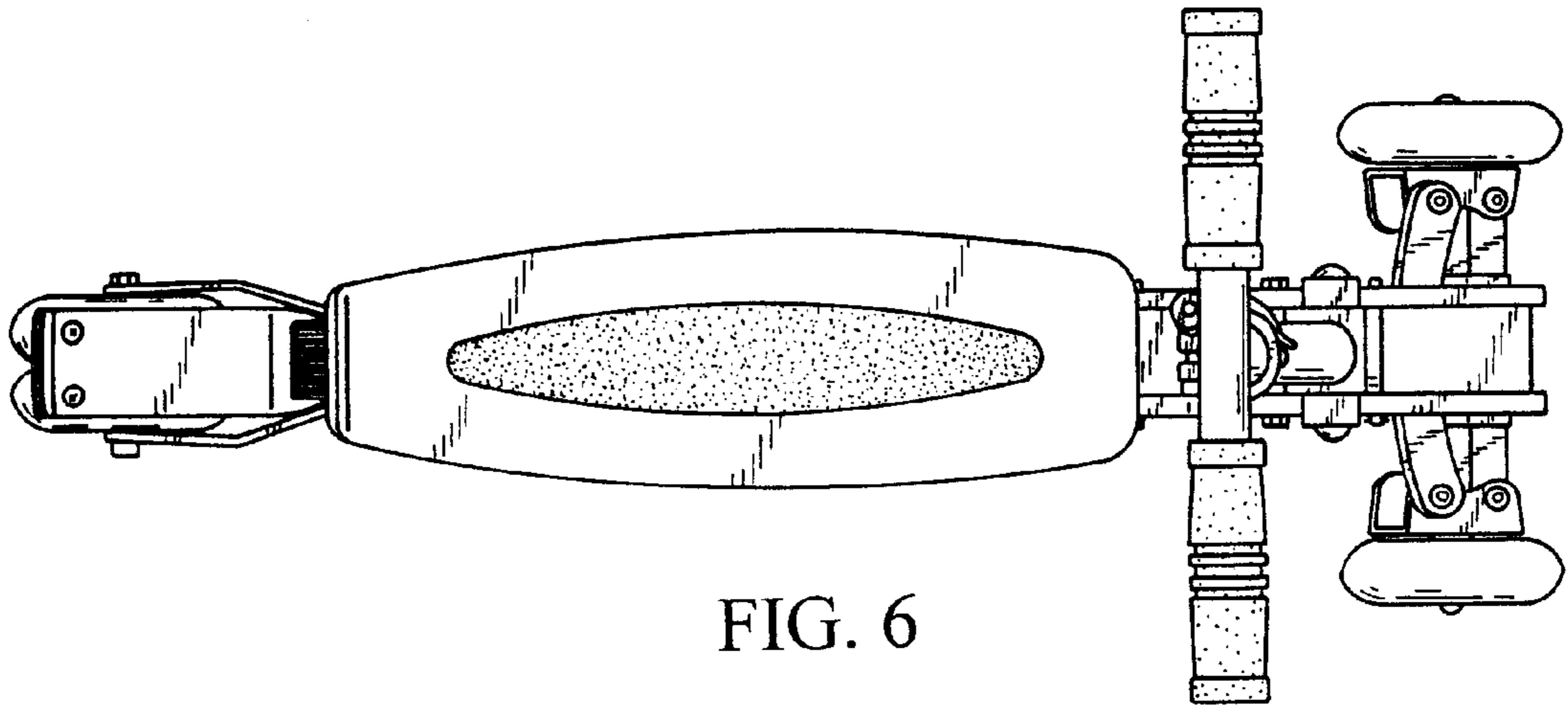


FIG. 6

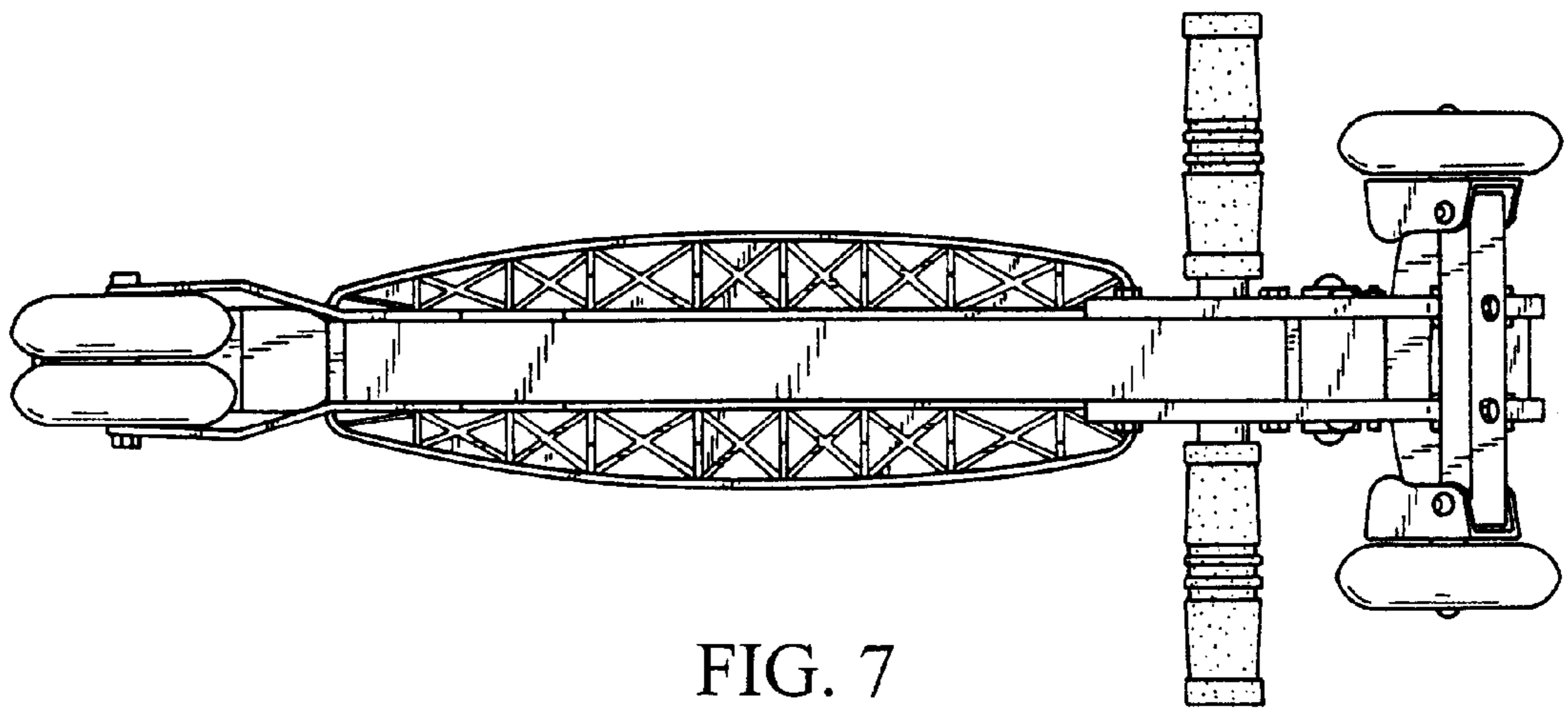


FIG. 7

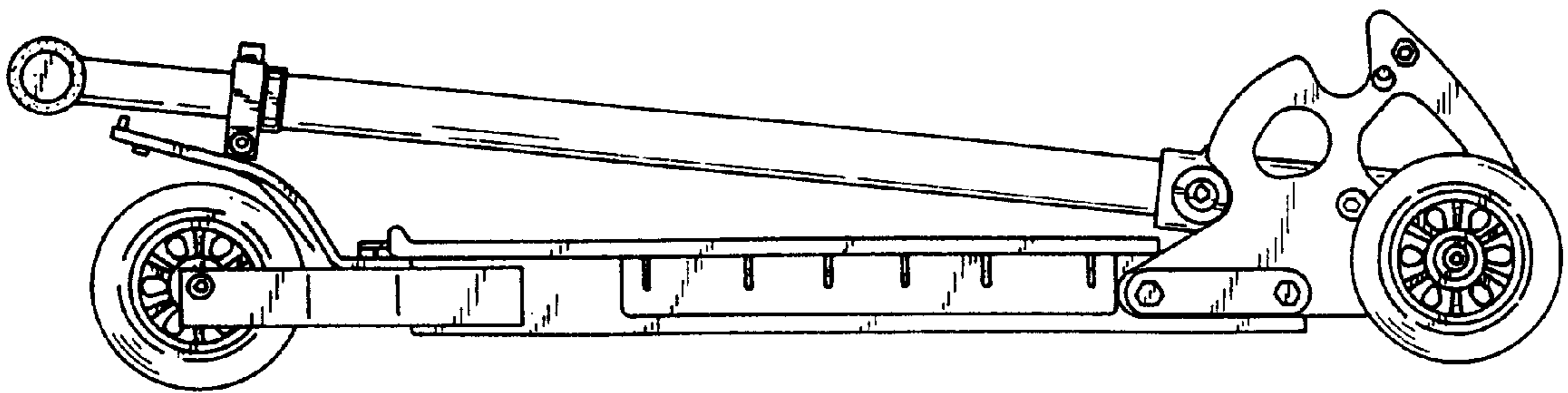


FIG. 8