



US00D446256S

(12) **United States Design Patent**
Lazo

(10) **Patent No.:** **US D446,256 S**

(45) **Date of Patent:** **** Aug. 7, 2001**

(54) **DOMINO HOLDER**

(76) **Inventor:** **Walter P Lazo**, P.O. Box 1144, Long Island City, NY (US) 11101

(**) **Term:** **14 Years**

(21) **Appl. No.:** **29/125,036**

(22) **Filed:** **Jun. 16, 2000**

(51) **LOC (7) Cl.** **21-01**

(52) **U.S. Cl.** **D21/392**

(58) **Field of Search** D21/385, 391-396;
D19/65, 75, 90, 91; D20/44; 273/148 R,
148 A, 150, 292, 299

(56) **References Cited**

U.S. PATENT DOCUMENTS

| | | | | | |
|------------|---|---------|-------------|-------|---------|
| D. 188,859 | * | 9/1960 | Clement | | D21/392 |
| D. 248,332 | | 6/1978 | Bailey | . | |
| D. 267,727 | | 1/1983 | Doe | . | |
| D. 294,838 | | 3/1988 | Wells | | D21/392 |
| D. 347,451 | | 5/1994 | Kazakowitz | . | |
| D. 353,412 | * | 12/1994 | Bull et al. | | D21/392 |
| D. 392,680 | * | 3/1998 | Shaefer | | D19/90 |
| D. 424,618 | * | 5/2000 | Waterhouse | | D19/65 |
| D. 431,052 | * | 9/2000 | Wilcox | | D21/392 |

D. 432,169 * 10/2000 Stravitz D19/75

1,479,350 1/1924 Weil .

1,511,731 10/1924 Kimmel .

5,014,996 * 5/1991 Braunhut 273/299

* cited by examiner

Primary Examiner—Sandra L. Morris

(57) **CLAIM**

The ornamental design for a domino holder, as shown and described.

DESCRIPTION

FIG. 1 is a front elevational view of the domino holder of the present invention;

FIG. 2 is a rear elevational view of the domino holder of FIG. 1;

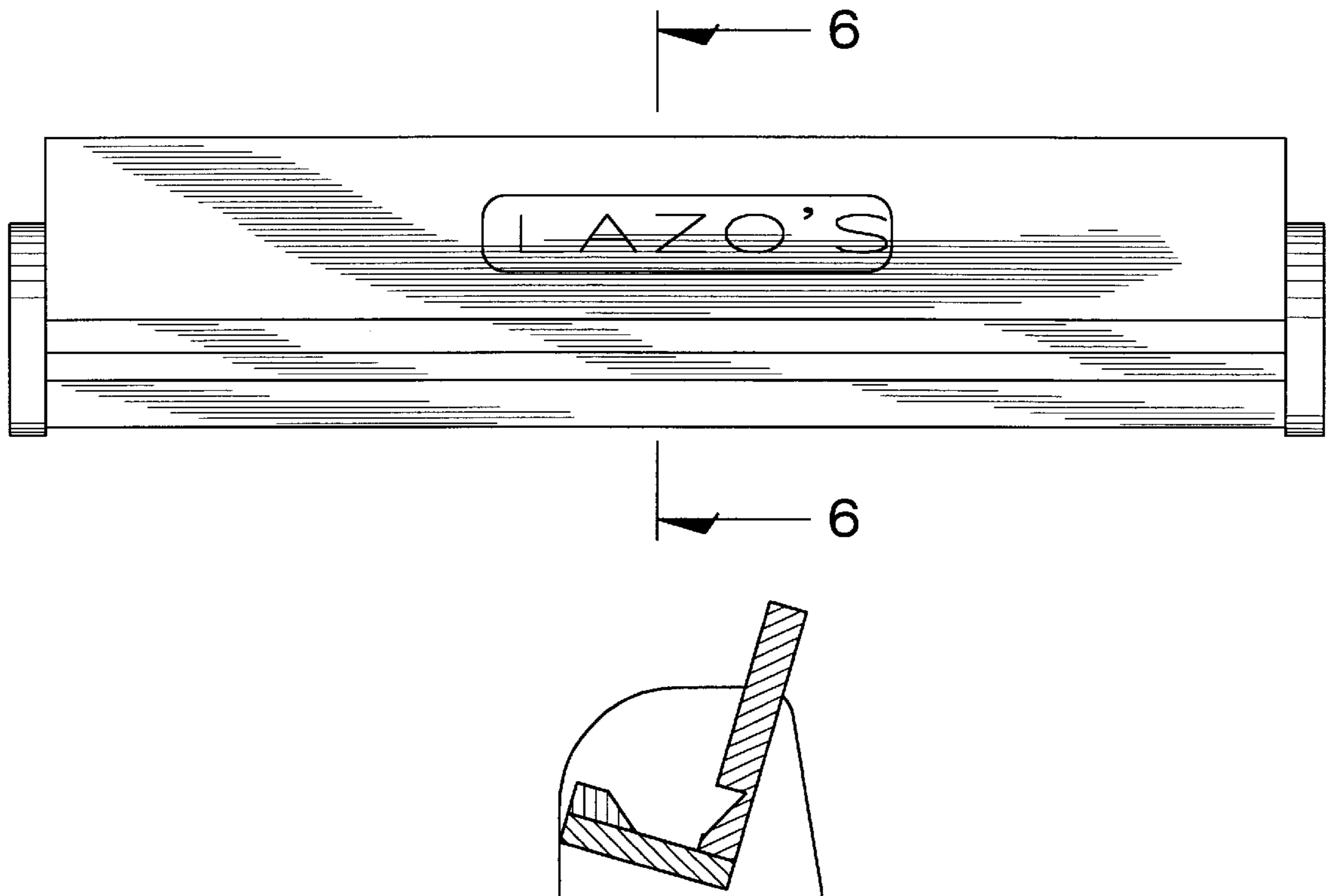
FIG. 3 is a right side elevational view of the domino holder of FIG. 1, the left view being a mirror image thereof;

FIG. 4 is a top plan view of the domino holder of FIG. 1;

FIG. 5 is a bottom plan view of the domino holder of FIG. 1; and,

FIG. 6 is a cross-sectional view of FIG. 1 taken along line 6—6 of the domino holder of FIG. 1.

1 Claim, 3 Drawing Sheets



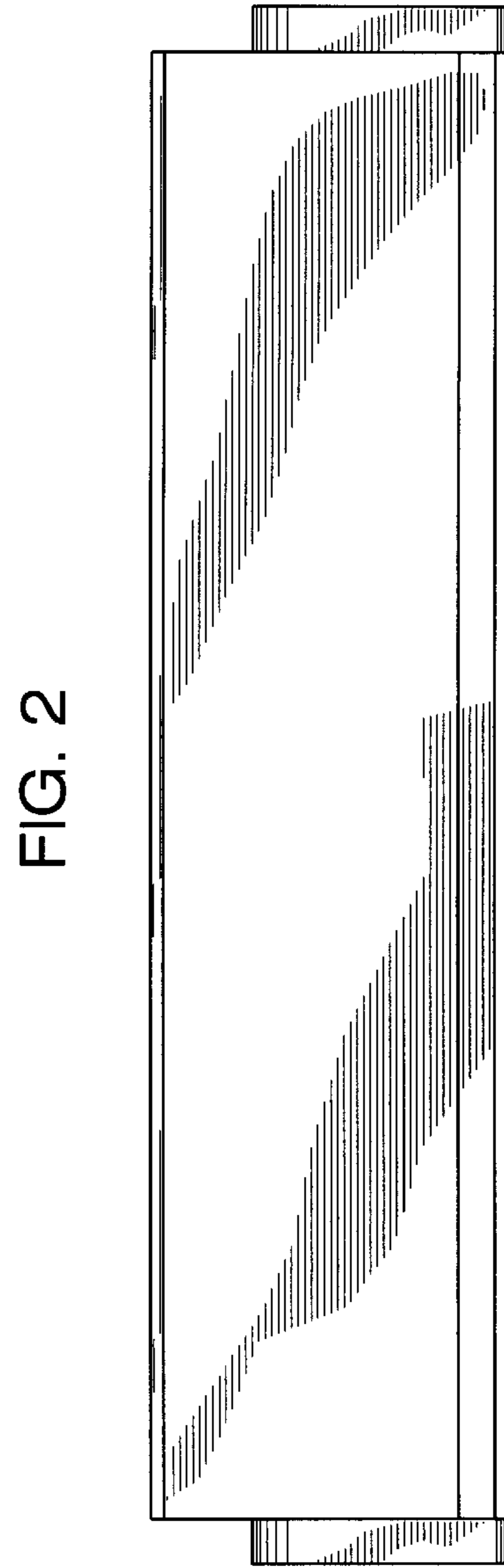
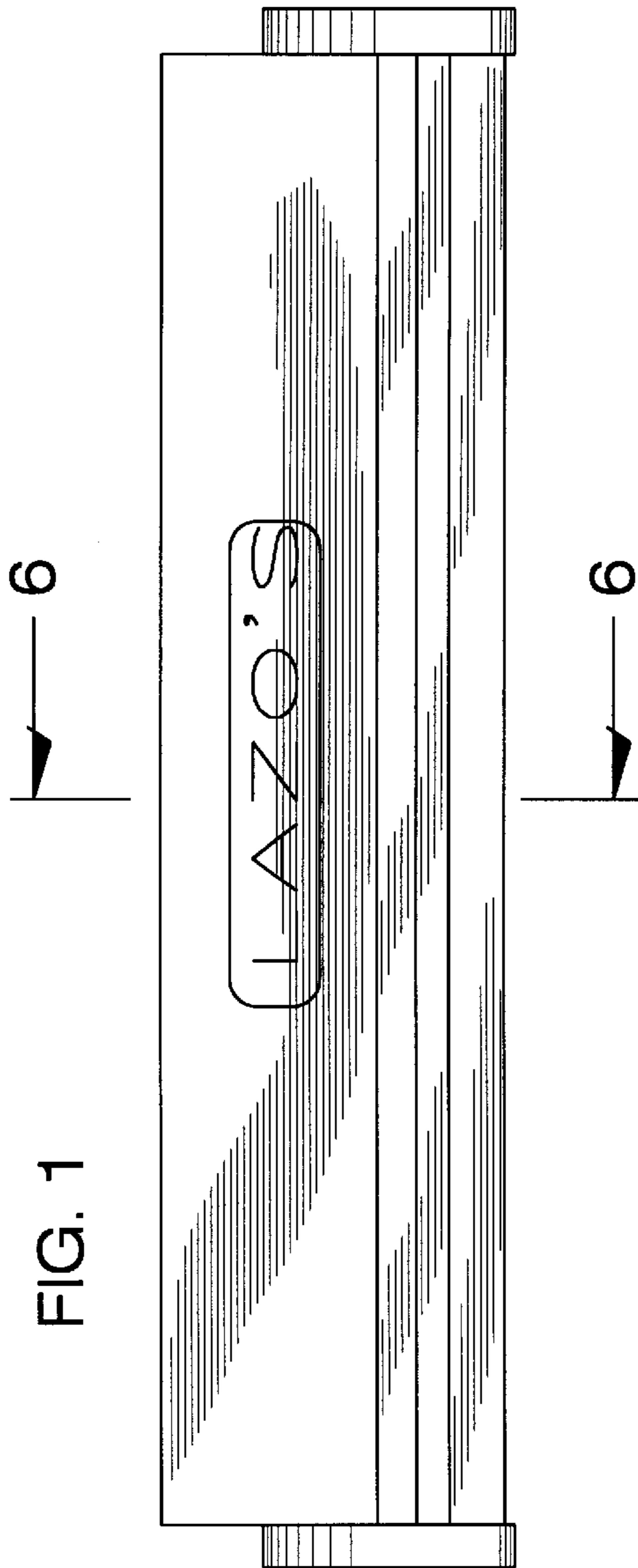


FIG. 3

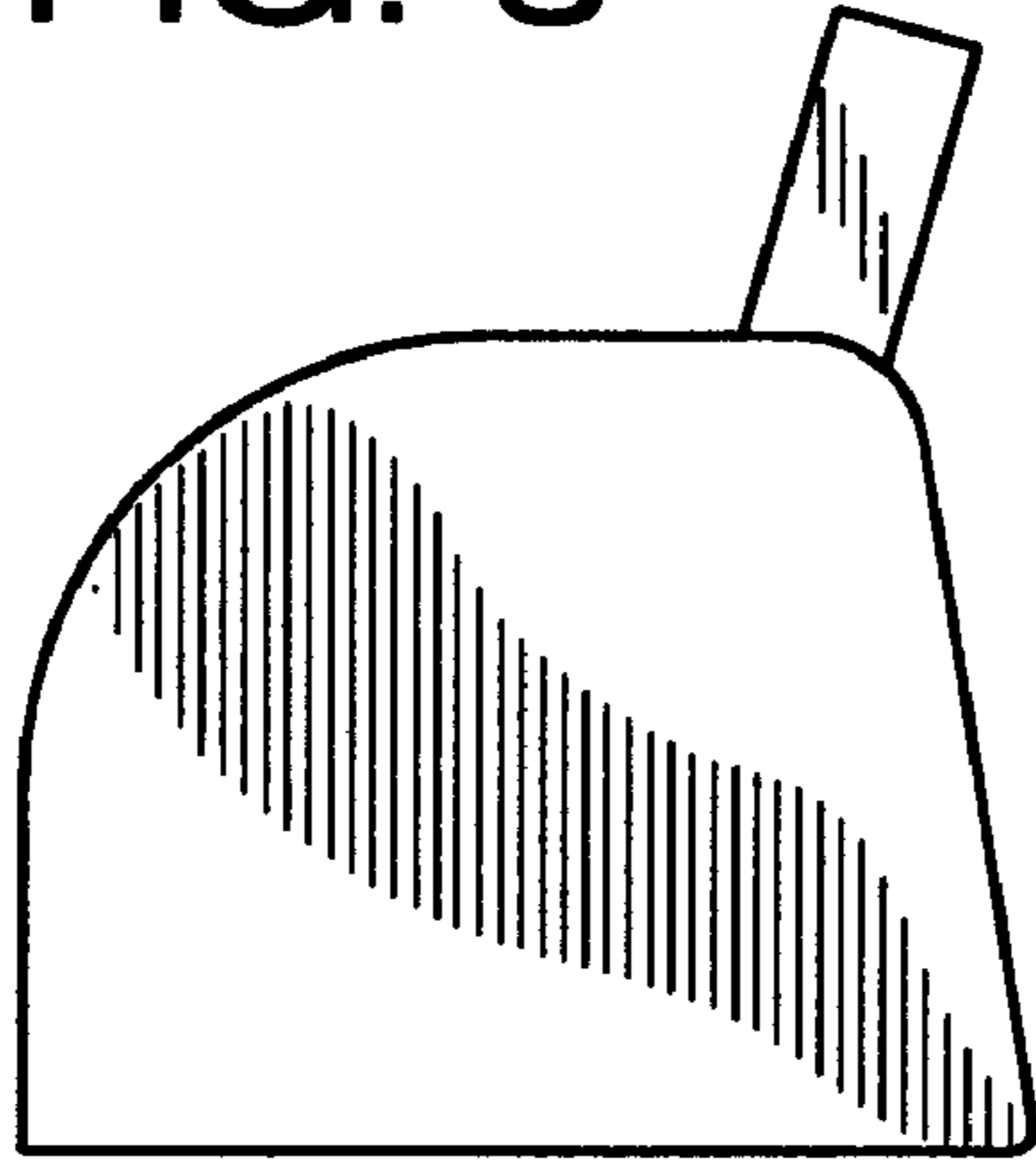


FIG. 6

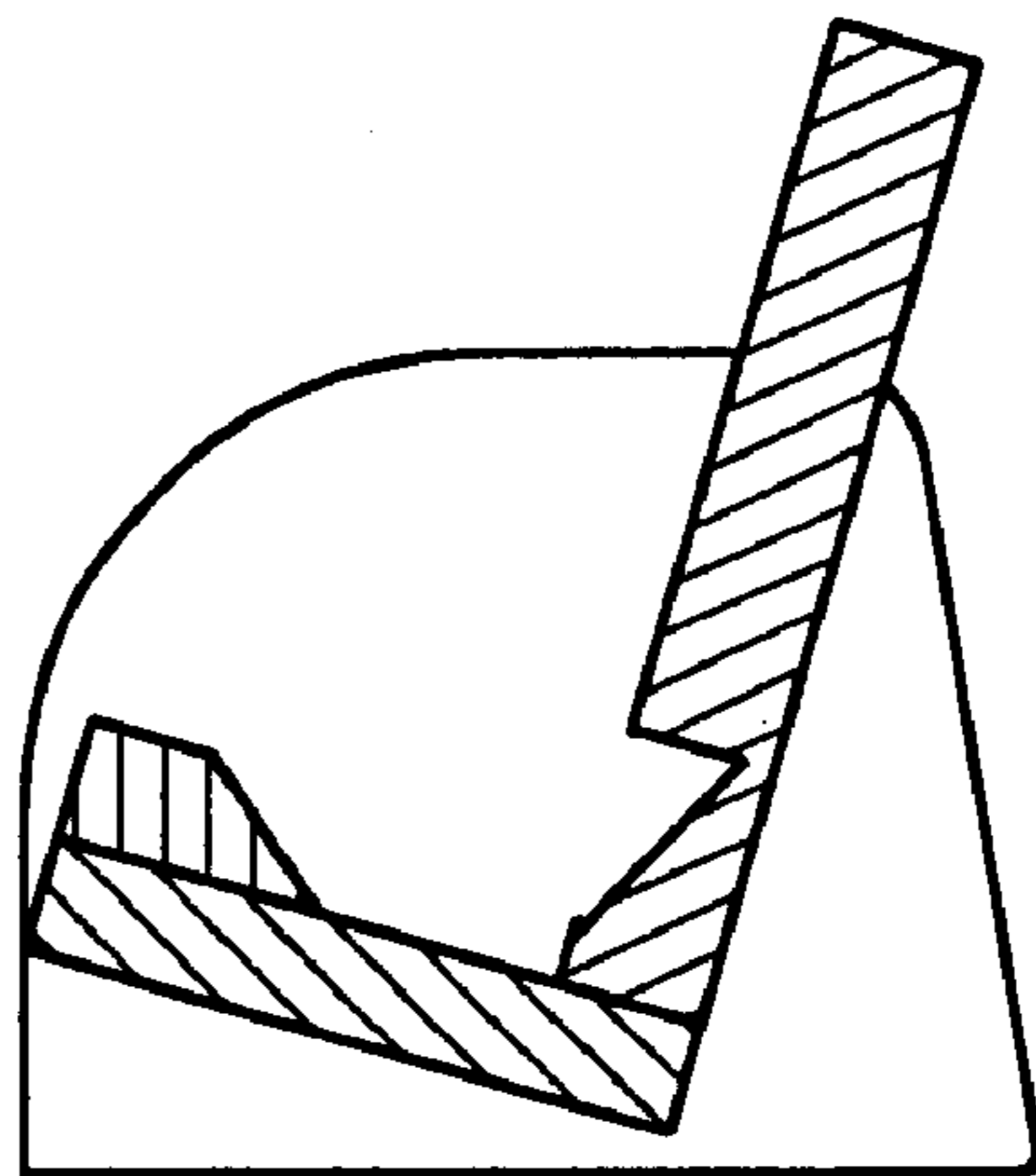


FIG. 4

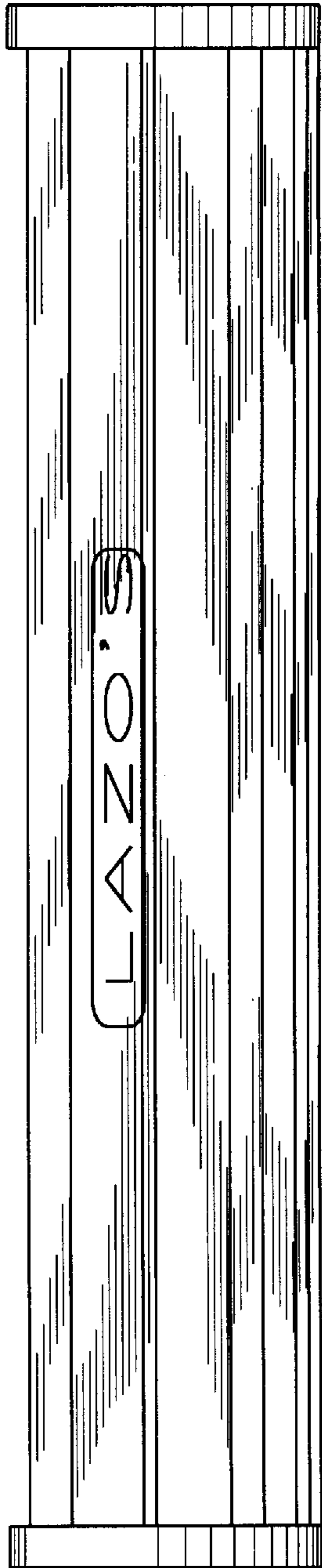


FIG. 5

