



US00D446250S

(12) **United States Design Patent**
Quiroga et al.

(10) **Patent No.:** **US D446,250 S**

(45) **Date of Patent:** **** Aug. 7, 2001**

(54) **COMBINED SOCCER AND HOCKEY TABLE TOP GAME**

5,092,595 3/1992 Daravina .
5,242,164 9/1993 Nicoll .
5,312,109 * 5/1994 Cagle D21/318 X
5,417,421 * 5/1995 Bagley 273/108.5

(76) Inventors: **John C Quiroga; Kim I Quiroga**, both of 326 Mac Arthur Blvd., San Leandro, CA (US) 94577

* cited by examiner

(**) Term: **14 Years**

Primary Examiner—Prabhakar Deshmukh

(21) Appl. No.: **29/128,490**

(57) **CLAIM**

(22) Filed: **Aug. 25, 2000**

The ornamental design for a combined soccer and hockey table top game, as shown and described.

(51) **LOC (7) Cl.** **21-01**

DESCRIPTION

(52) **U.S. Cl.** **D21/318**

(58) **Field of Search** D21/318, 313, D21/314, 328; 273/108.1, 108.5, 108.52, 317.1, 317, 118 R, 459, 461, 298, 309

FIG. 1 is a bottom, front, right side perspective view of the combined soccer and hockey table top game of the present invention;

(56) **References Cited**

U.S. PATENT DOCUMENTS

- D. 245,718 * 9/1977 Maloney, II D21/318
- D. 294,720 * 3/1988 MacDowell D21/318
- D. 347,026 5/1994 Young .
- D. 408,459 * 4/1999 Schwarz D21/318
- 1,905,303 * 4/1933 Potter 273/247
- 4,067,575 1/1978 Ayer .
- 4,274,635 6/1981 Pakogian .
- 4,382,600 5/1983 Vieira .
- 5,074,556 * 12/1991 Loeppky et al. 273/108.5

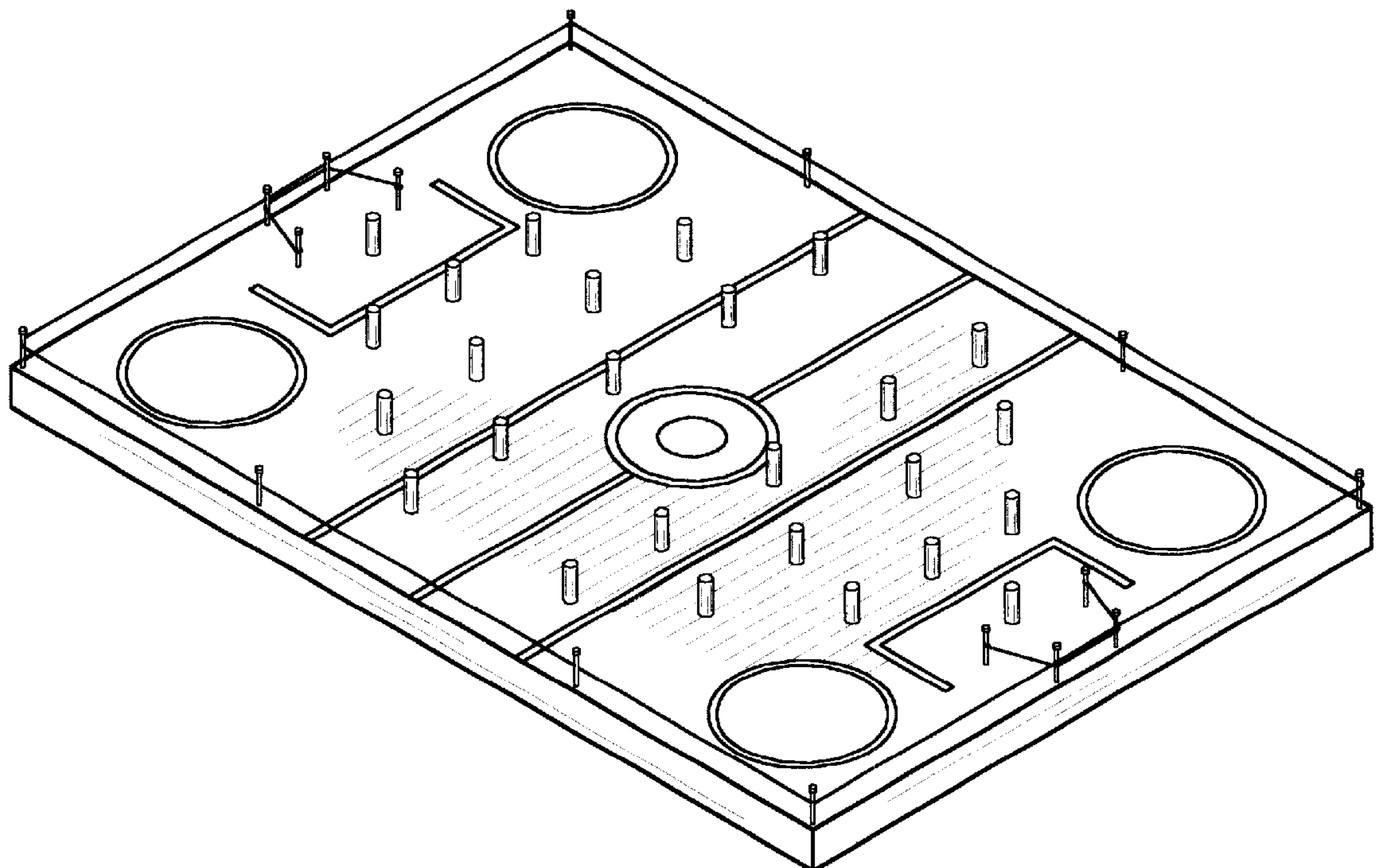
FIG. 2 is a front elevational view of the combined soccer and hockey table top game of FIG. 1;

FIG. 3 is a rear elevational view of the combined soccer and hockey table top game of FIG. 1;

FIG. 4 is a left side elevational view of the combined soccer and hockey table top game of FIG. 1, the right view being a mirror image thereof; and,

FIG. 5 is a bottom plan view of the combined soccer and hockey table top game of FIG. 1, the top view being a mirror image thereof.

1 Claim, 2 Drawing Sheets



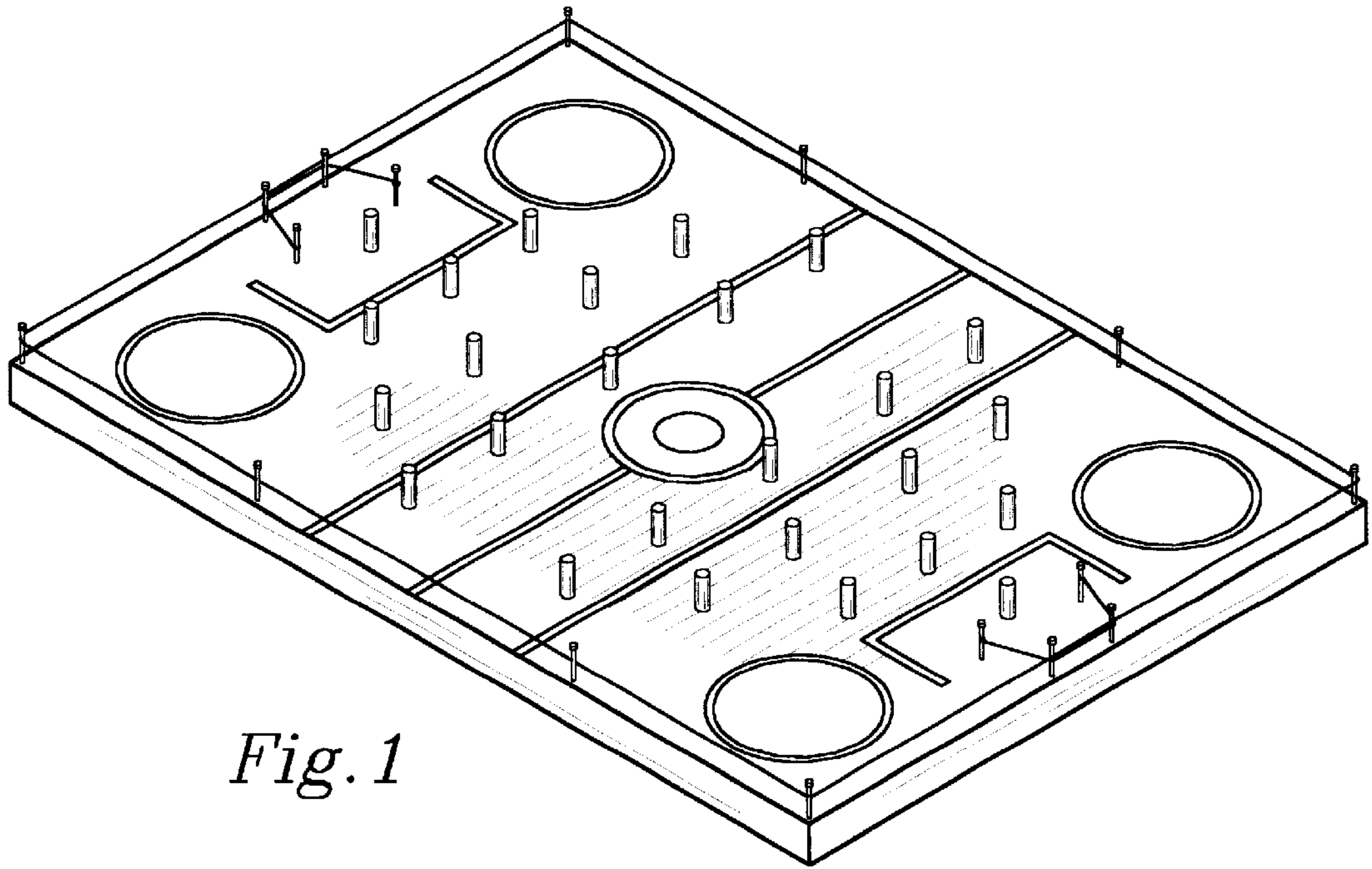


Fig. 1

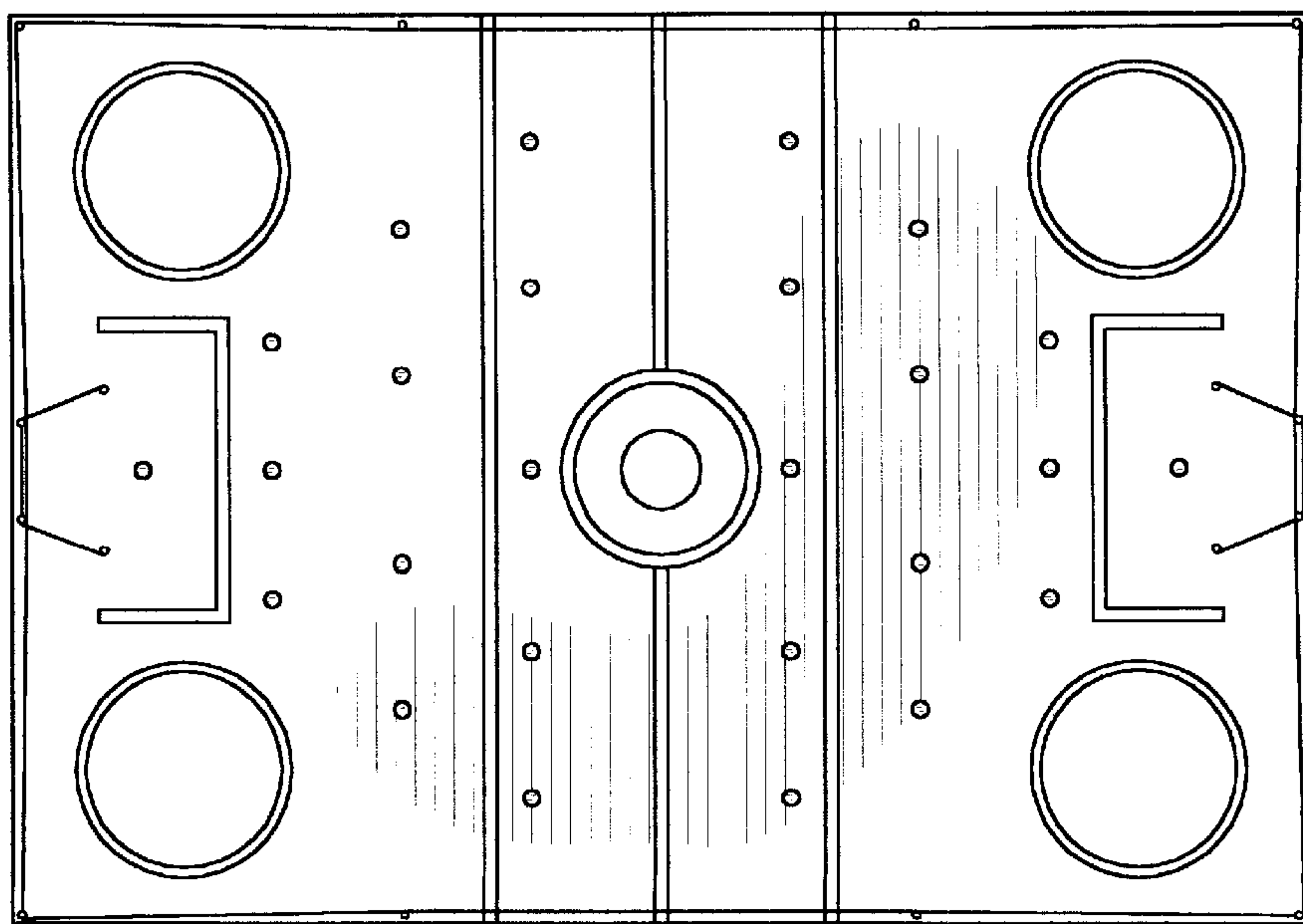


Fig. 2

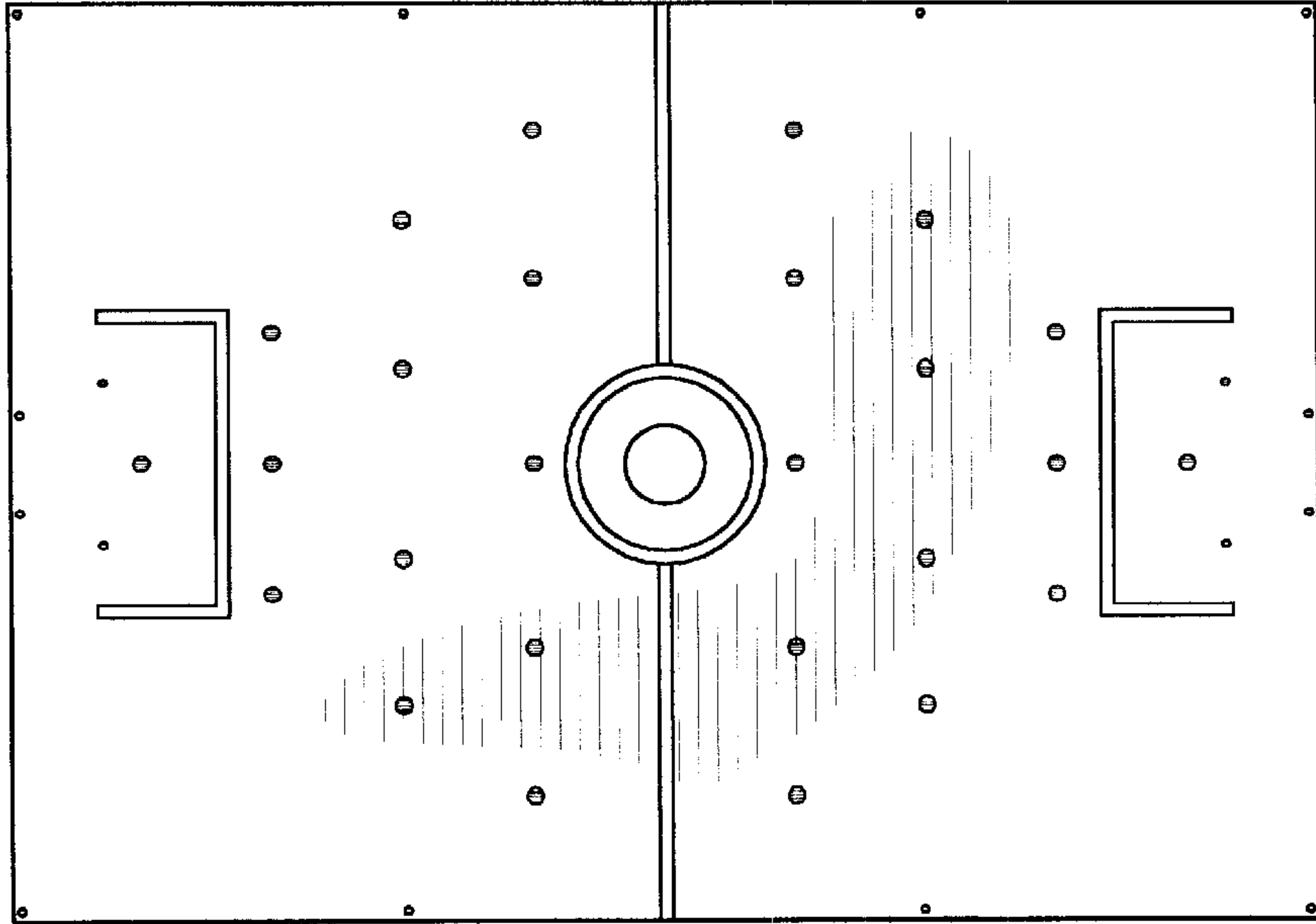


Fig. 3

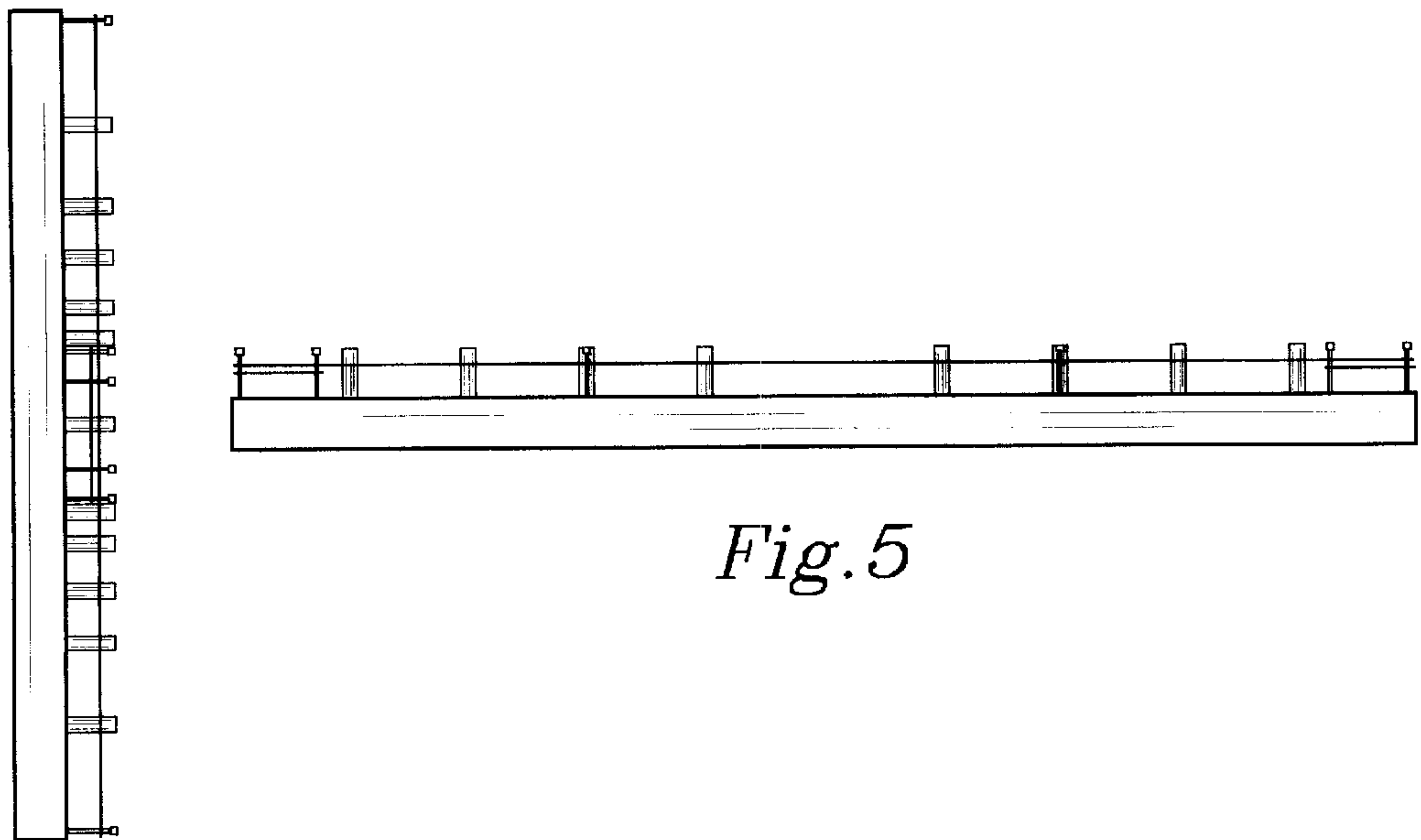


Fig. 5

Fig. 4