



US00D446247S

(12) **United States Design Patent**
Martorella

(10) **Patent No.:** **US D446,247 S**

(45) **Date of Patent:** **** Aug. 7, 2001**

(54) **DESKTOP PEN, EYEGLASS AND PICTURE FRAME HOLDER**

(76) **Inventor:** **Rudolph Martorella**, 2 Spruce St., Apt. 4A, Great Neck, NY (US) 11021

(**) **Term:** **14 Years**

(21) **Appl. No.:** **29/125,791**

(22) **Filed:** **Jun. 29, 2000**

(51) **LOC (7) Cl.** **19-06**

(52) **U.S. Cl.** **D19/77; D6/314; D19/75; D19/95; D19/85**

(58) **Field of Search** **D6/300-314, 462; D3/219; D19/65, 36, 75, 77, 78, 81-85, 90, 95, 99, 100; D20/40, 43, 15; 211/69.1-69.9, 85.1; 206/214, 224, 371; 40/722, 725, 745, 765, 771, 772**

(56) **References Cited**

U.S. PATENT DOCUMENTS

- D. 130,924 * 12/1941 Rossi D19/85 X
- D. 138,914 * 9/1944 Eubank D6/314
- D. 152,747 * 2/1949 Rossi D19/85

- D. 251,978 * 5/1979 Locke D19/75
- D. 271,501 * 11/1983 Manning et al. D19/91
- D. 355,218 * 2/1995 Peterka D19/82
- D. 400,924 * 11/1998 Cornell et al. D19/78
- D. 406,958 3/1999 Balwin et al. .
- 1,831,712 * 11/1931 Keenan 211/69.2
- 5,568,872 * 10/1996 Hinnant, Sr. 211/85.1

* cited by examiner

Primary Examiner—Martie K. Holtje

(74) *Attorney, Agent, or Firm*—Collard&Roe, P.C.

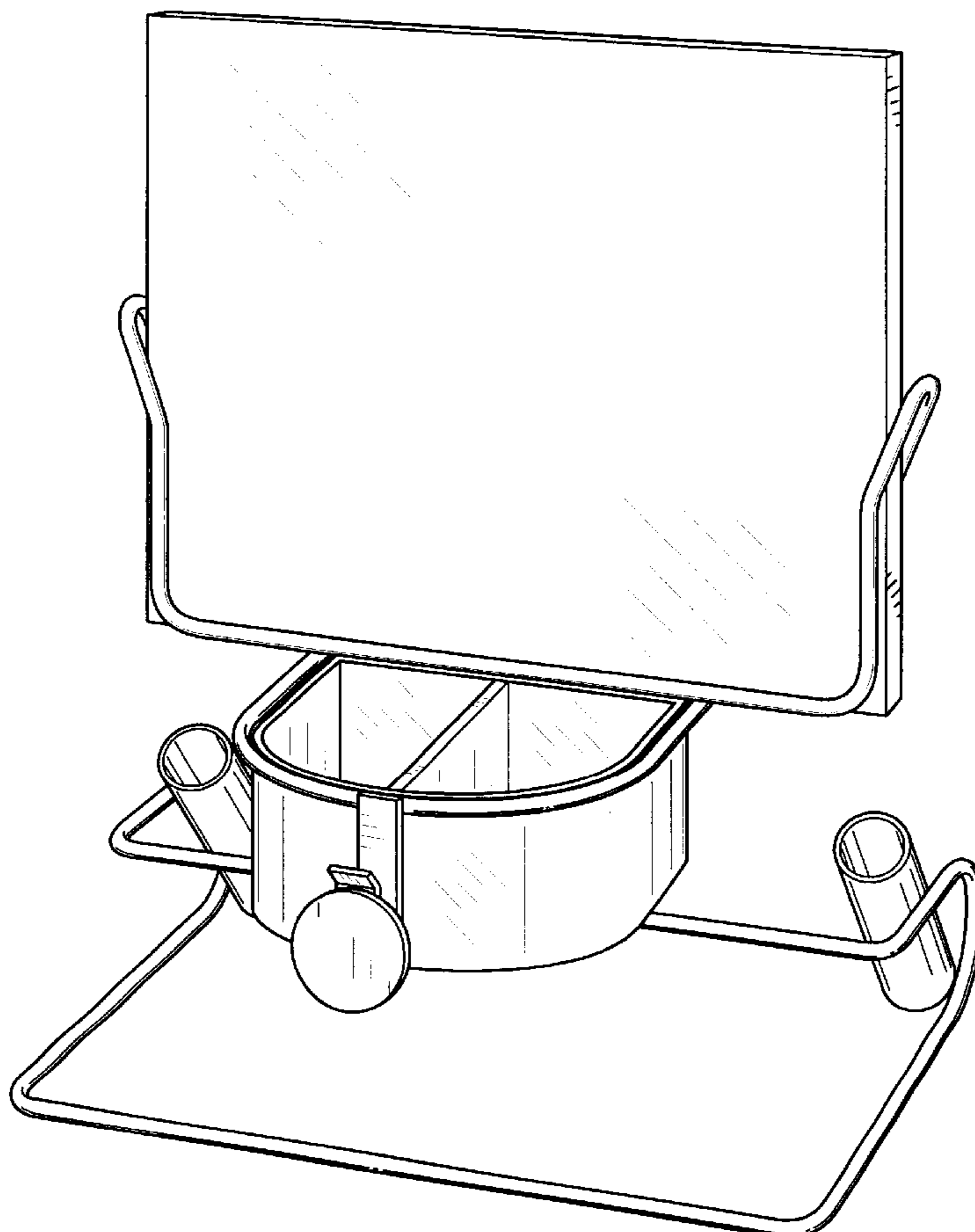
(57) **CLAIM**

The ornamental design for a desktop pen, eyeglass and picture frame holder, as shown and described.

DESCRIPTION

FIG. 1 shows a perspective view of our design for a desktop pen, eyeglass and picture frame holder; FIG. 2 shows a front view thereof; FIG. 3 shows a top view thereof; FIG. 4 shows a rear view thereof; FIG. 5 shows a side view thereof; and, FIG. 6 shows bottom view thereof.

1 Claim, 6 Drawing Sheets



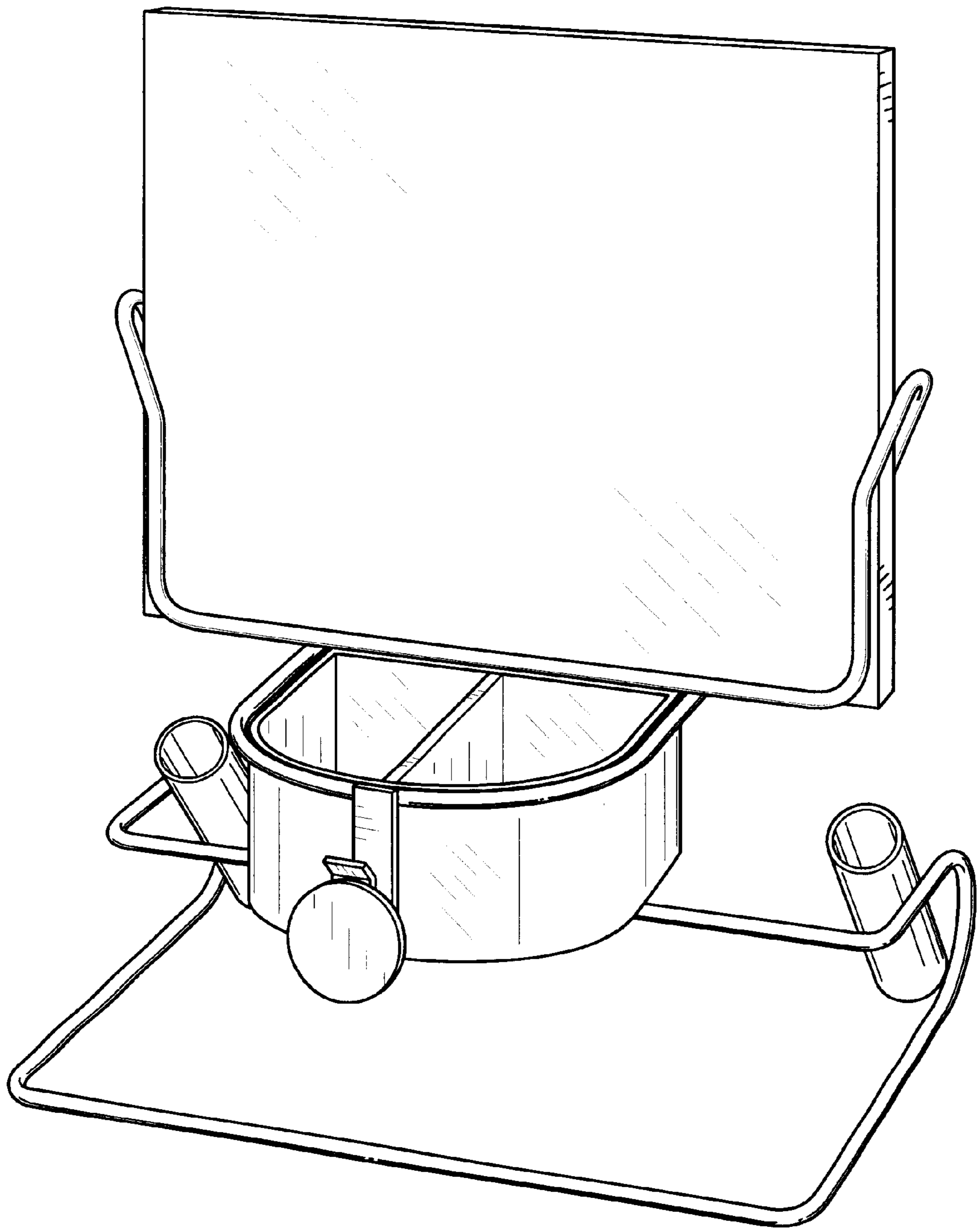


FIG. 1

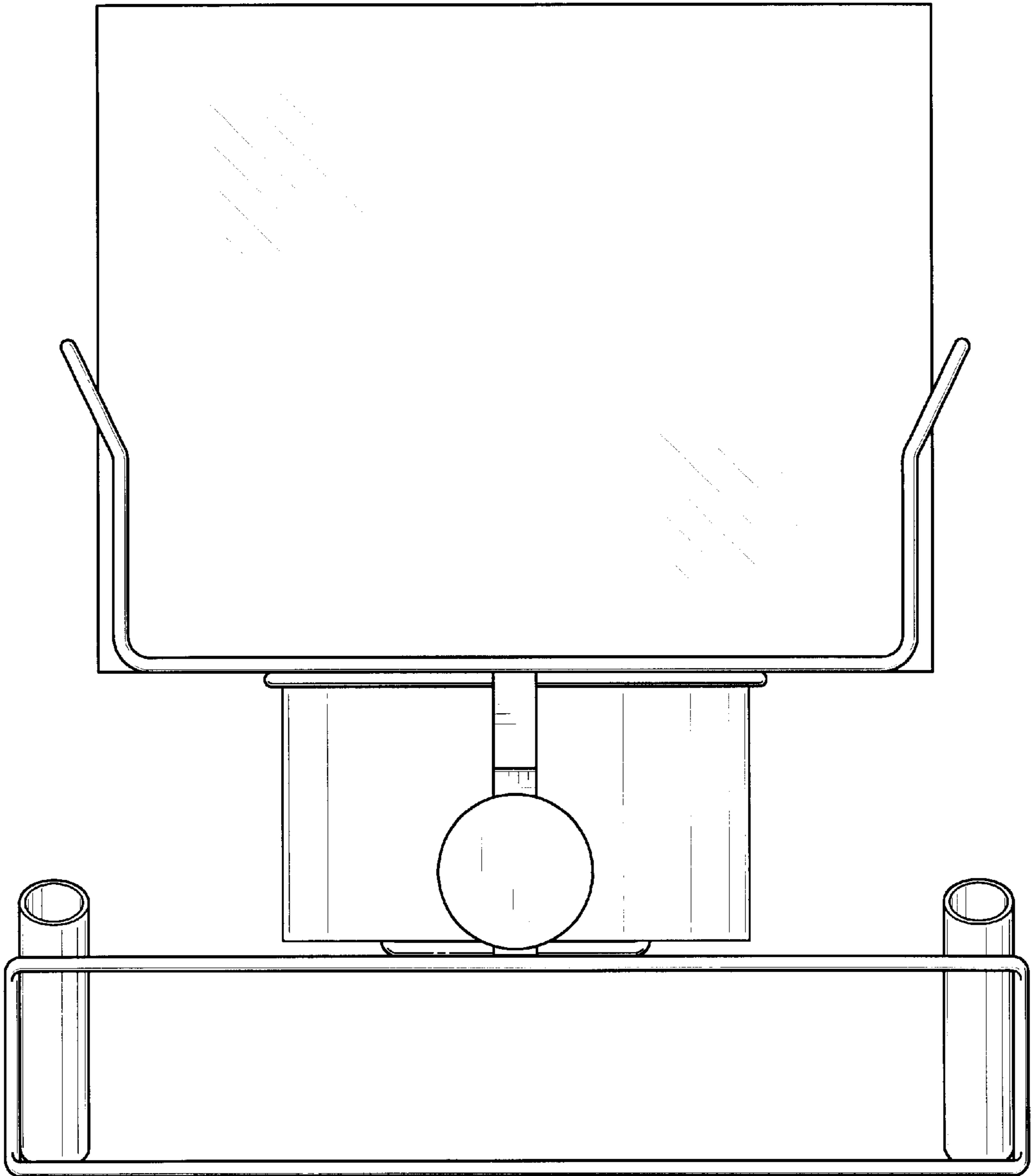


FIG. 2

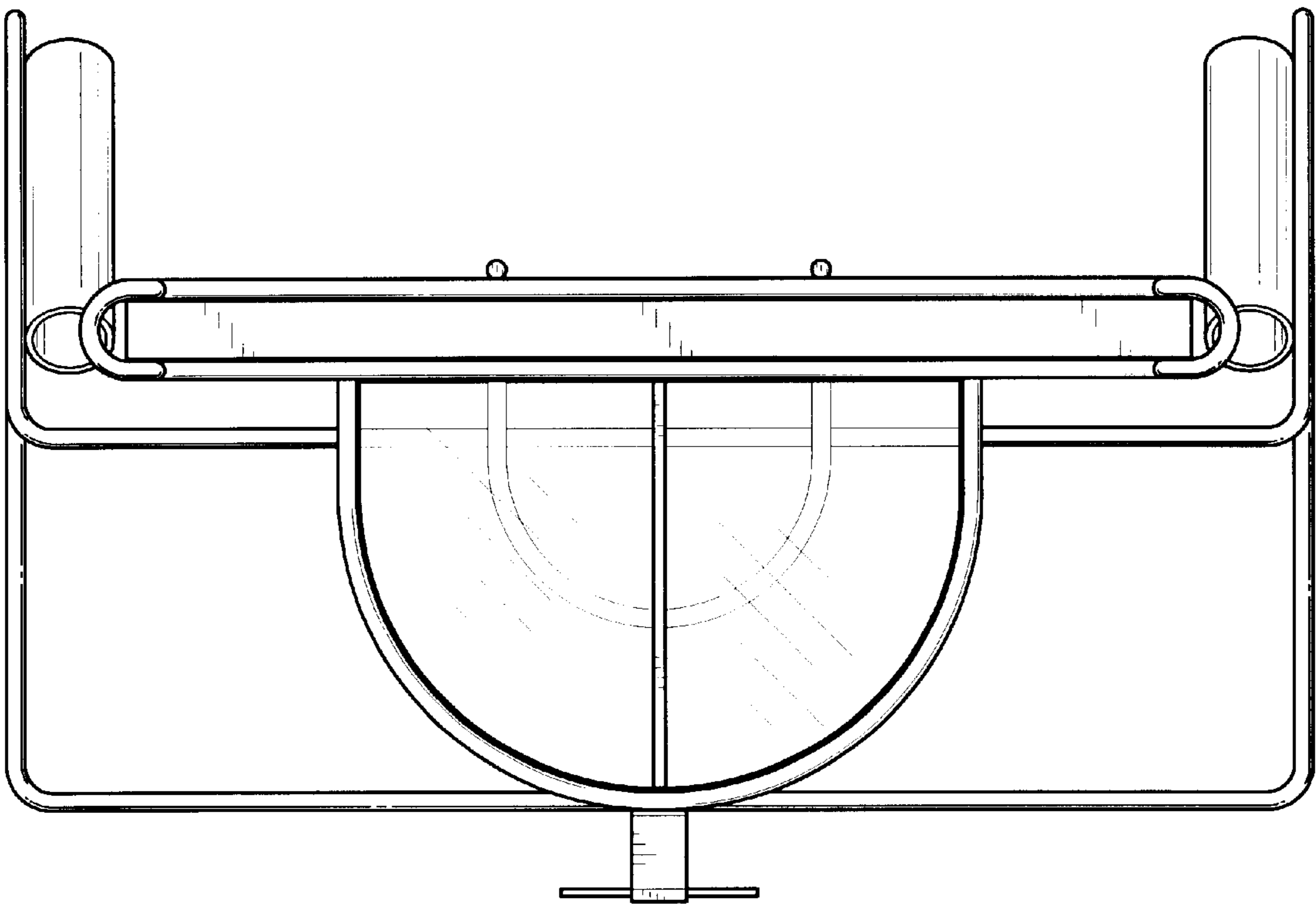


FIG. 3

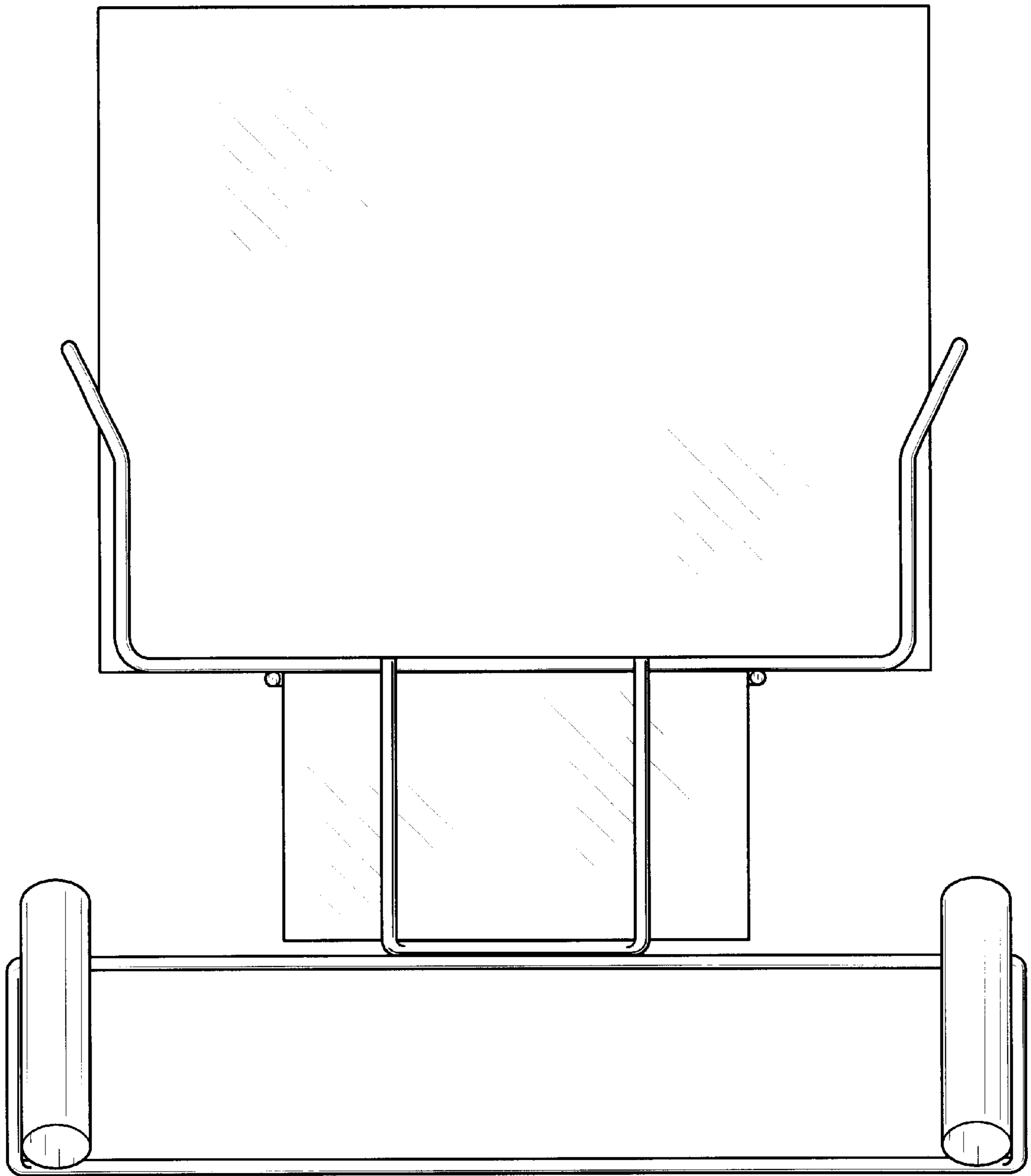


FIG. 4

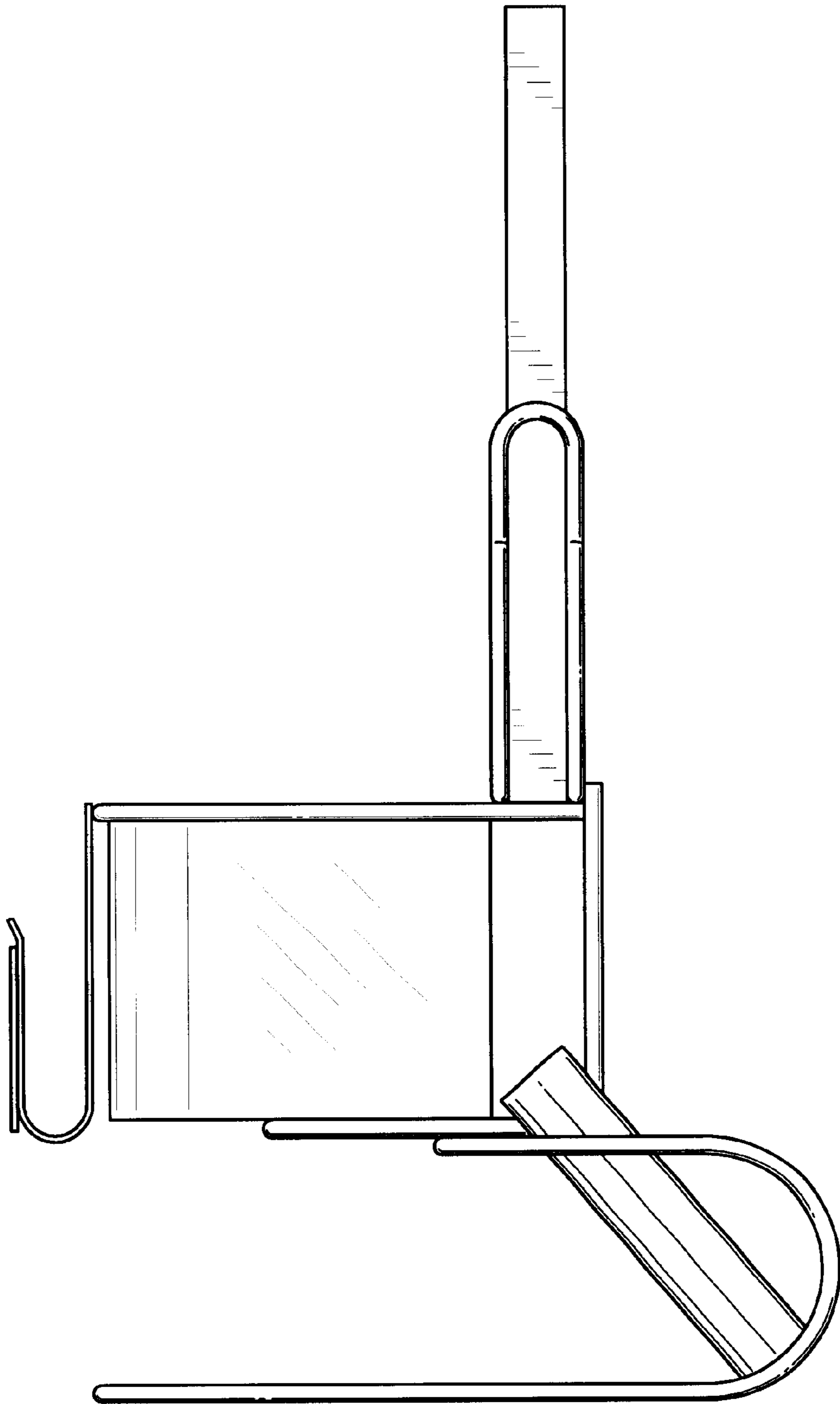


FIG. 5

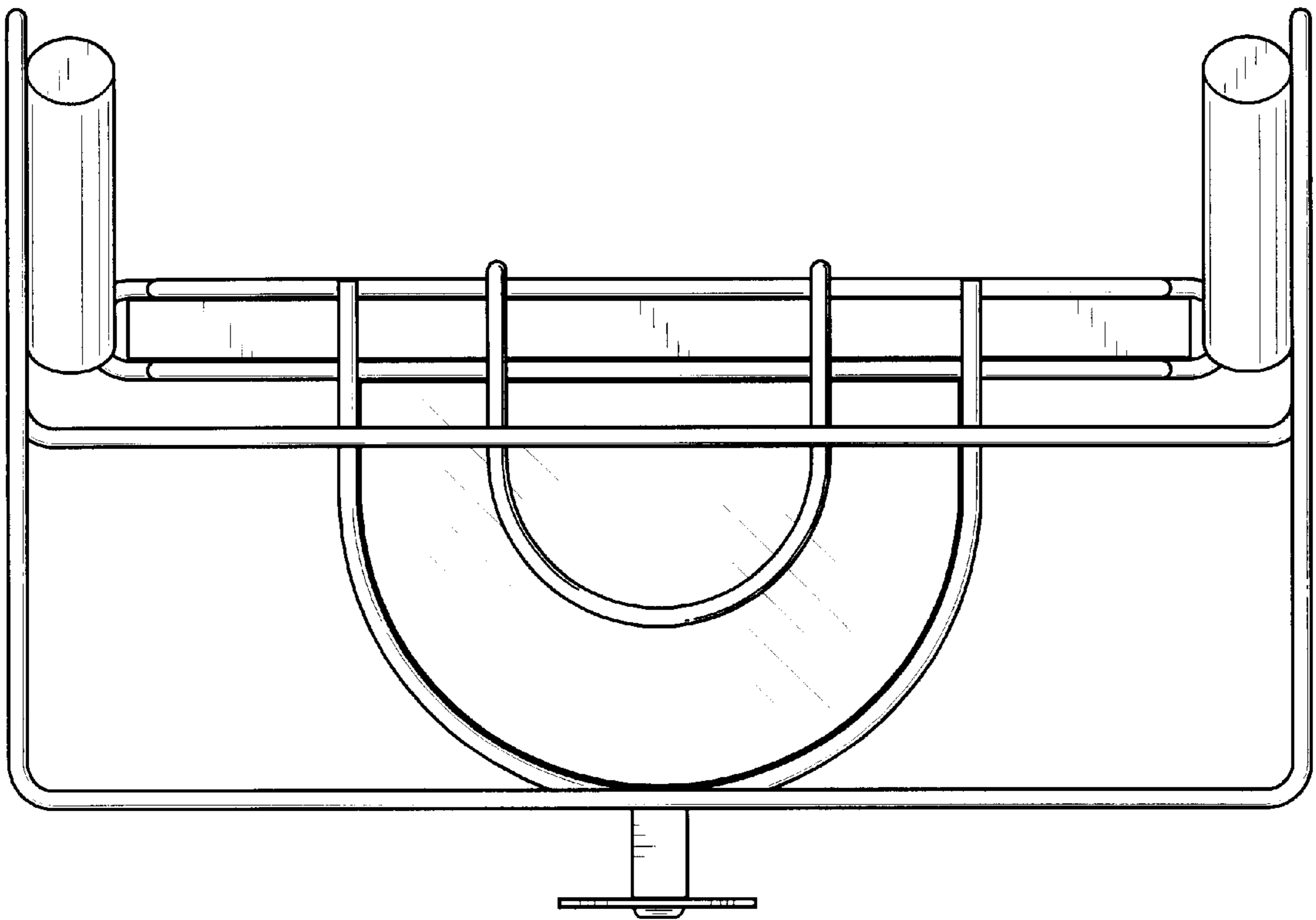


FIG. 6