



US00D446246S

(12) **United States Design Patent**
Kimura

(10) **Patent No.:** **US D446,246 S**
(45) **Date of Patent:** **** Aug. 7, 2001**

(54) **ADHESIVE TAPE DISPENSER**
(75) Inventor: **Shigeru Kimura**, Tokorozawa (JP)
(73) Assignee: **Tombow Pencil, Co., Ltd.**, Tokyo (JP)
(**) Term: **14 Years**

(21) Appl. No.: **29/123,028**
(22) Filed: **May 9, 2000**

(30) **Foreign Application Priority Data**
Nov. 10, 1999 (JP) 11-31041
Nov. 10, 1999 (JP) 11-31042

(51) **LOC (7) Cl.** **19-02**
(52) **U.S. Cl.** **D19/69; D19/67**
(58) **Field of Search** D19/65, 67, 68,
D19/69, 72, 89, 95, 99, 100; 156/523, 527,
327, 577; 225/6, 7, 12, 19, 22, 25, 34,
35, 45, 56, 57, 74, 77, 89, 11; 242/588,
588.1, 588.6, 590

(56) **References Cited**
U.S. PATENT DOCUMENTS
D. 355,934 * 2/1995 Oga et al. D19/69
D. 364,644 * 11/1995 Watanabe et al. D19/69
D. 366,281 * 1/1996 Sakanishi et al. D19/69
D. 378,532 3/1997 Suzuki D19/69
D. 396,061 * 7/1998 Thompson et al. D19/69
D. 400,923 11/1998 Katami D19/69
D. 421,059 * 2/2000 Shimizu D19/69
D. 424,619 5/2000 Katami D19/69
D. 433,449 * 11/2000 Fujiwara D19/53
D. 435,595 * 12/2000 Kimura D19/69
3,187,968 * 6/1965 Favre 225/56

FOREIGN PATENT DOCUMENTS
906837 9/1994 (JP) .
939875 11/1995 (JP) .
947857 2/1996 (JP) .
952854 5/1996 (JP) .
952855 5/1996 (JP) .
960821 8/1996 (JP) .

962857 9/1996 (JP) .
969362 11/1996 (JP) .
972341 1/1997 (JP) .
972347 1/1997 (JP) .
1000904 1/1998 (JP) .
1009307 5/1998 (JP) .
1010657 5/1998 (JP) .
1029264 1/1999 (JP) .
1041138 6/1999 (JP) .
1047279 8/1999 (JP) .
1047575 8/1999 (JP) .
1053386 11/1999 (JP) .
1057693 1/2000 (JP) .
1059863 2/2000 (JP) .
1061877 2/2000 (JP) .

OTHER PUBLICATIONS

Shigeru Kimura, co-pending and commonly assigned U.S. application No. 29/123,036, entitled "Casing for an Adhesive Tape Dispenser," filed May 9, 2000, in its entirety.

* cited by examiner

Primary Examiner—Martie K. Holtje
(74) *Attorney, Agent, or Firm*—Butler, Snow, O'Mara, Stevens & Cannada, PLLC

(57) **CLAIM**

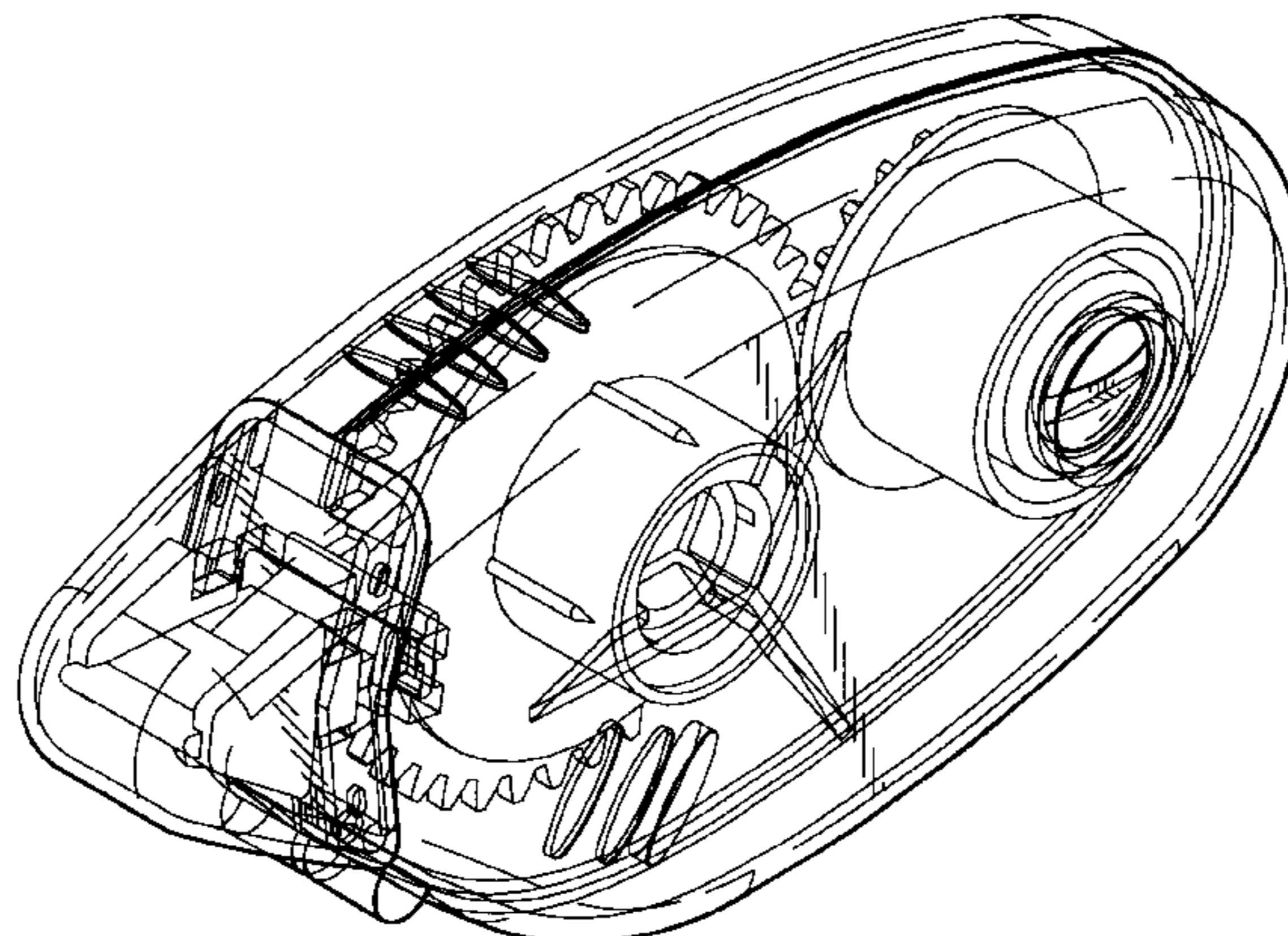
The ornamental design for an adhesive tape dispenser, as shown and described.

DESCRIPTION

This application is related to co-pending and concurrently filed U.S. Design Patent Application entitled: "Casing For An Adhesive Tape Dispenser," filed May 9, 2000, having U.S. Ser. No. 29/123,036.

FIG. 1 is a perspective view of an adhesive tape dispenser showing my new design;
FIG. 2 is a front view of FIG. 1;
FIG. 3 is a rear view of FIG. 1;
FIG. 4 is a right-side view of FIG. 1;
FIG. 5 is a left-side view of FIG. 1;
FIG. 6 is a top view of FIG. 1; and,
FIG. 7 is a bottom view of FIG. 1.

1 Claim, 3 Drawing Sheets



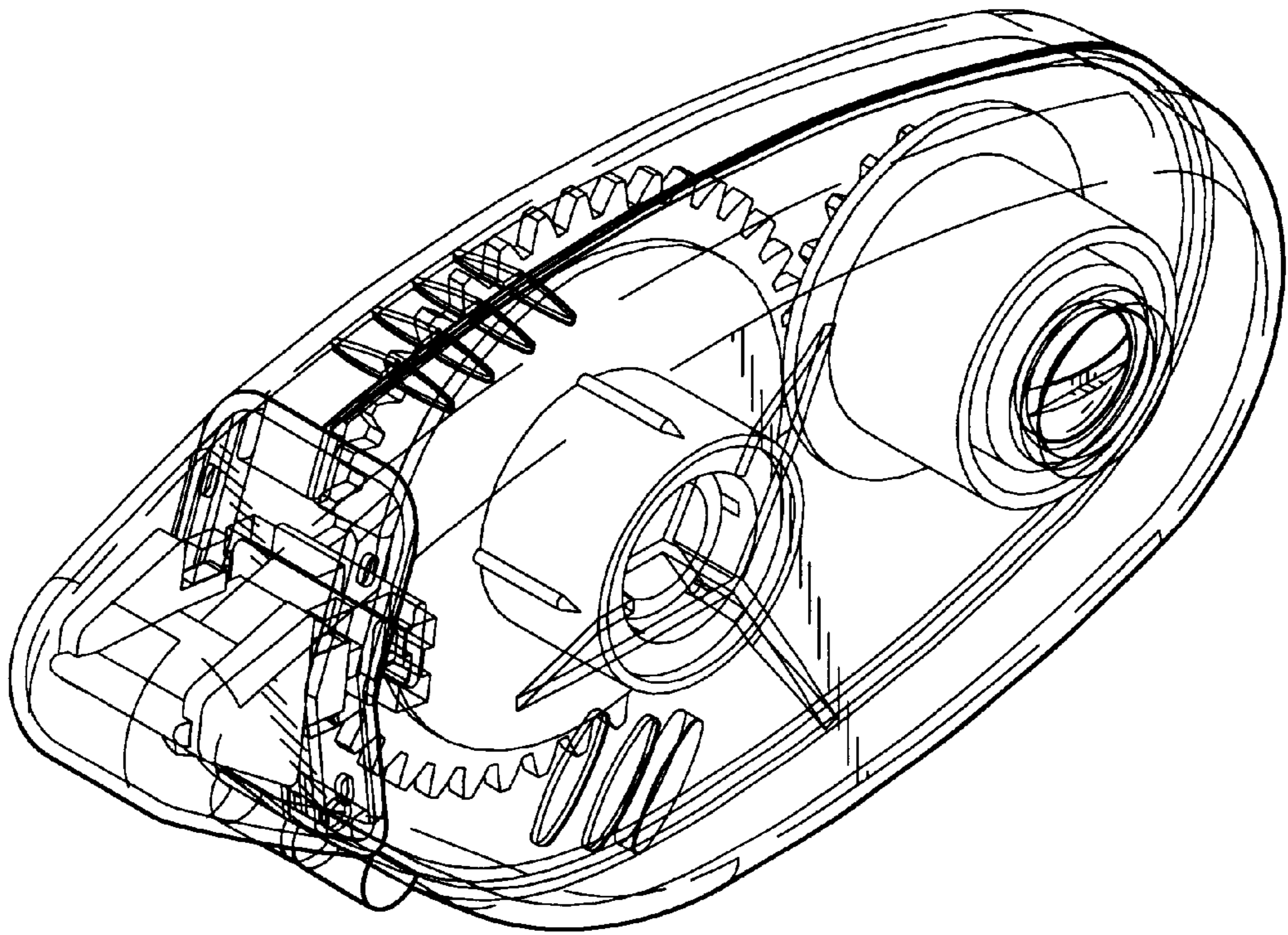


FIG 1

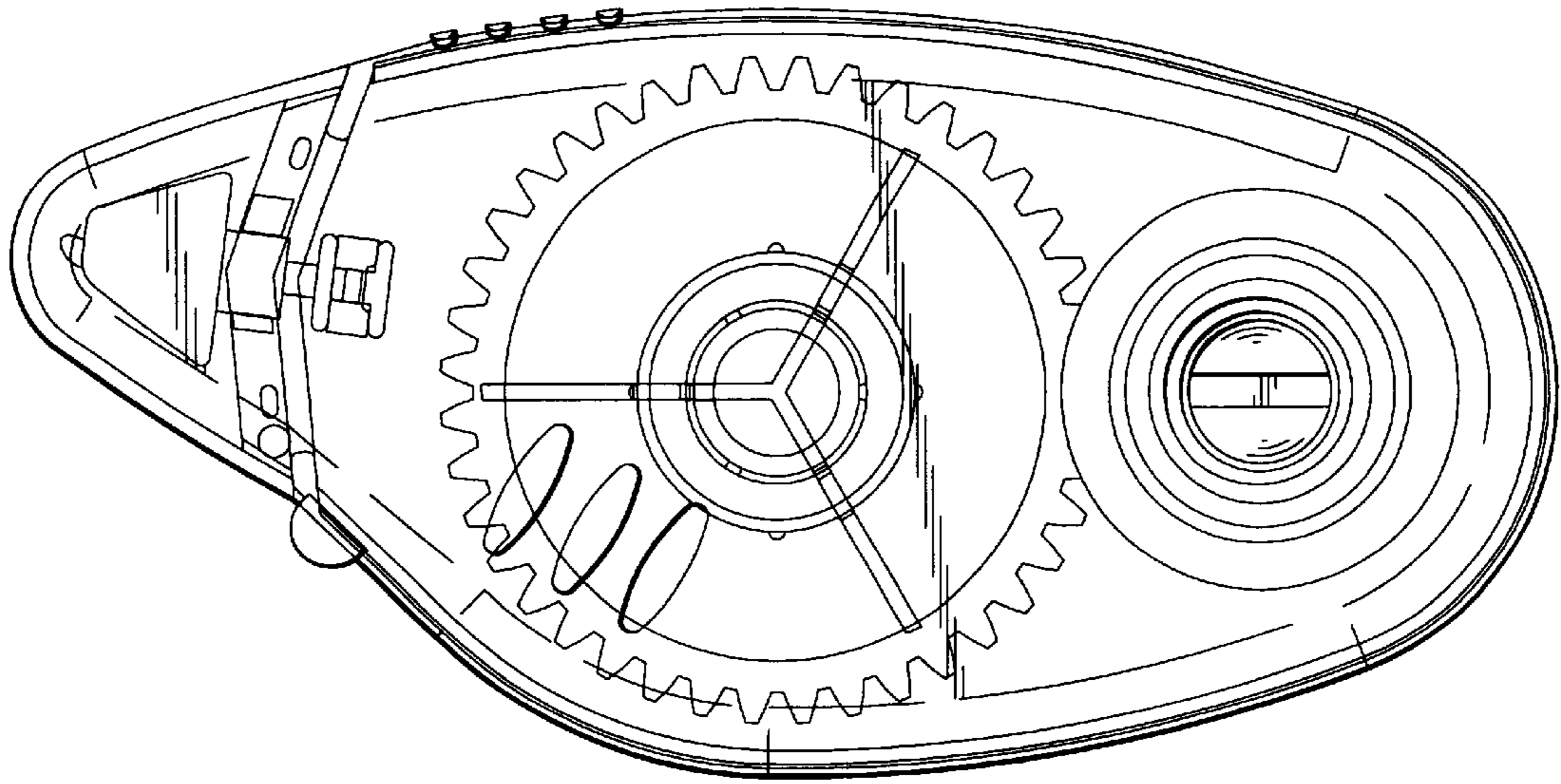


FIG 2

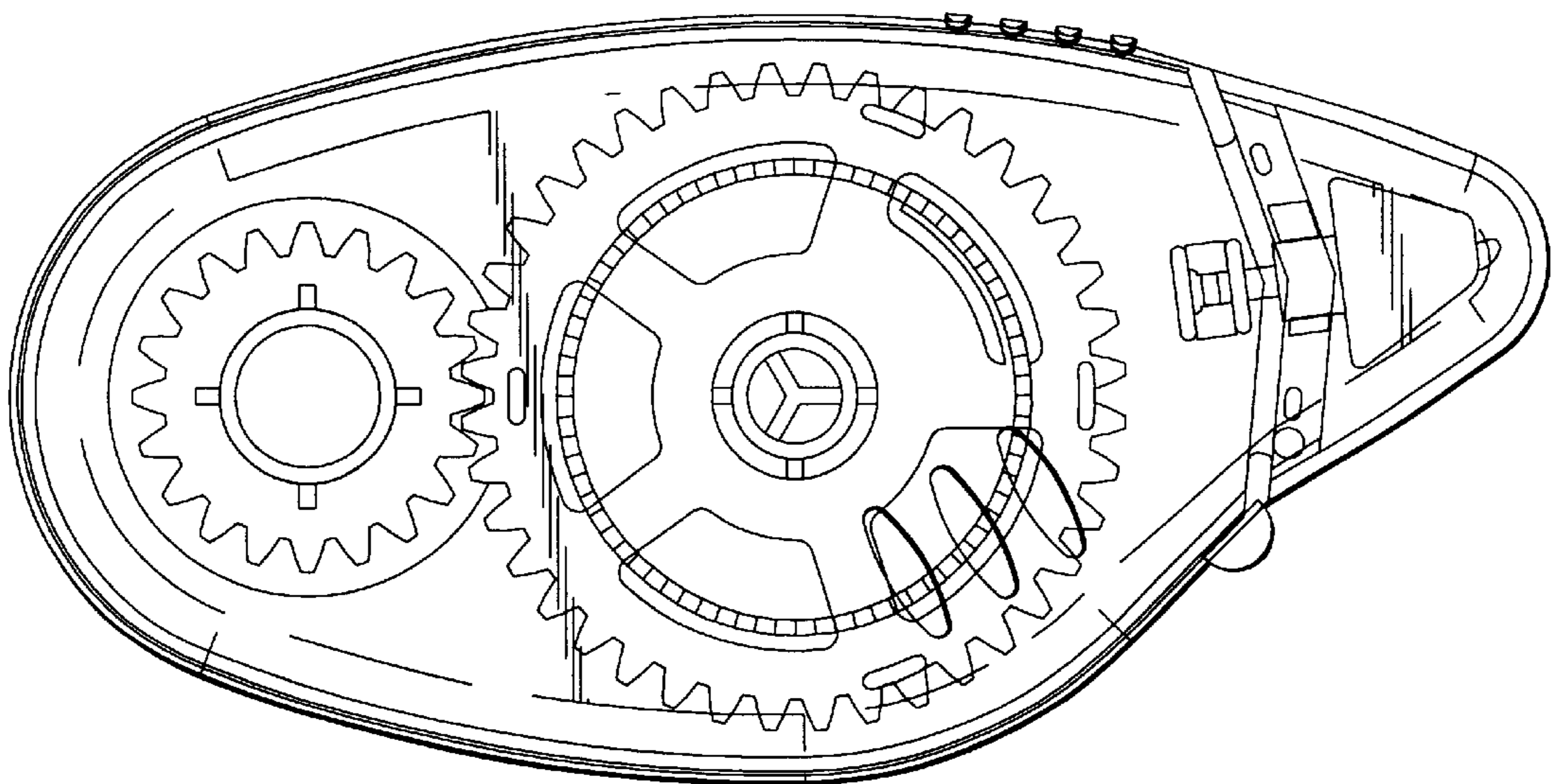


FIG 3

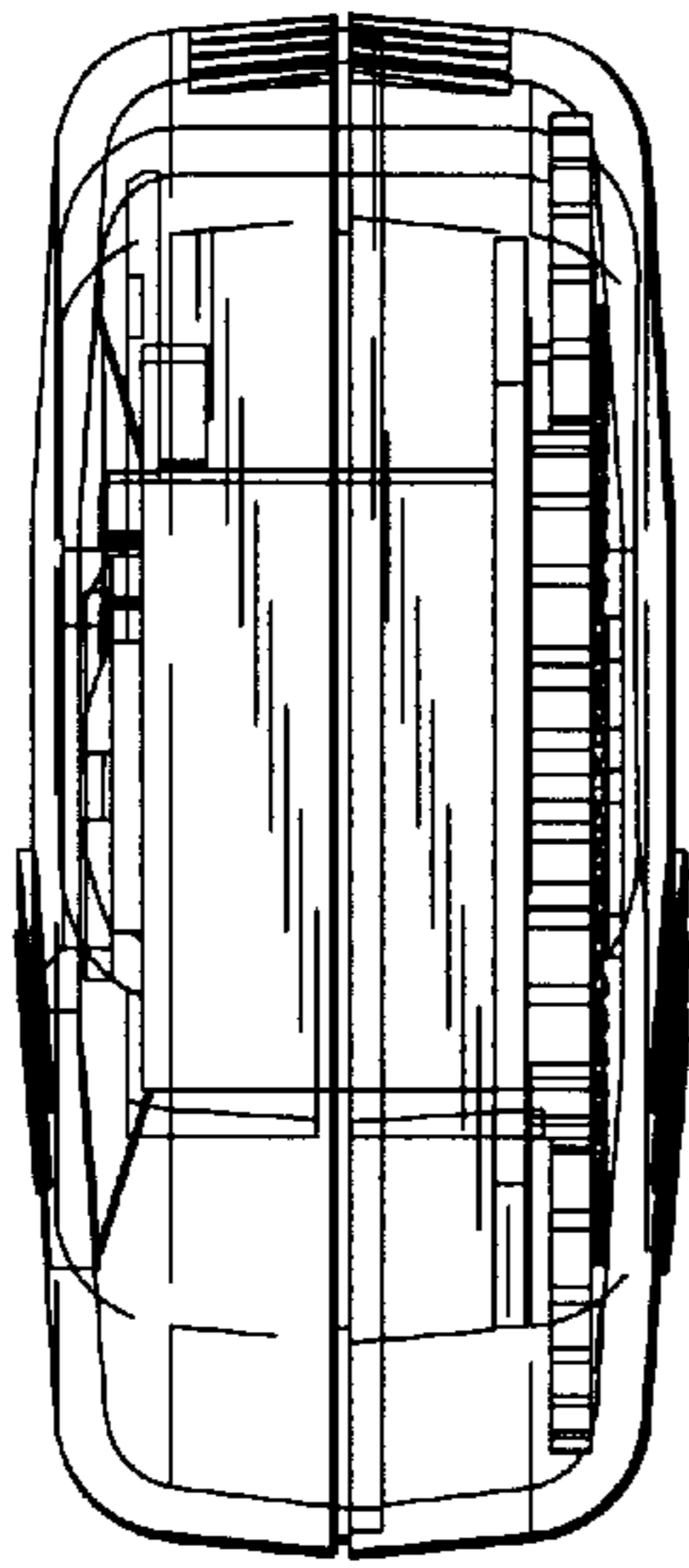


FIG 4

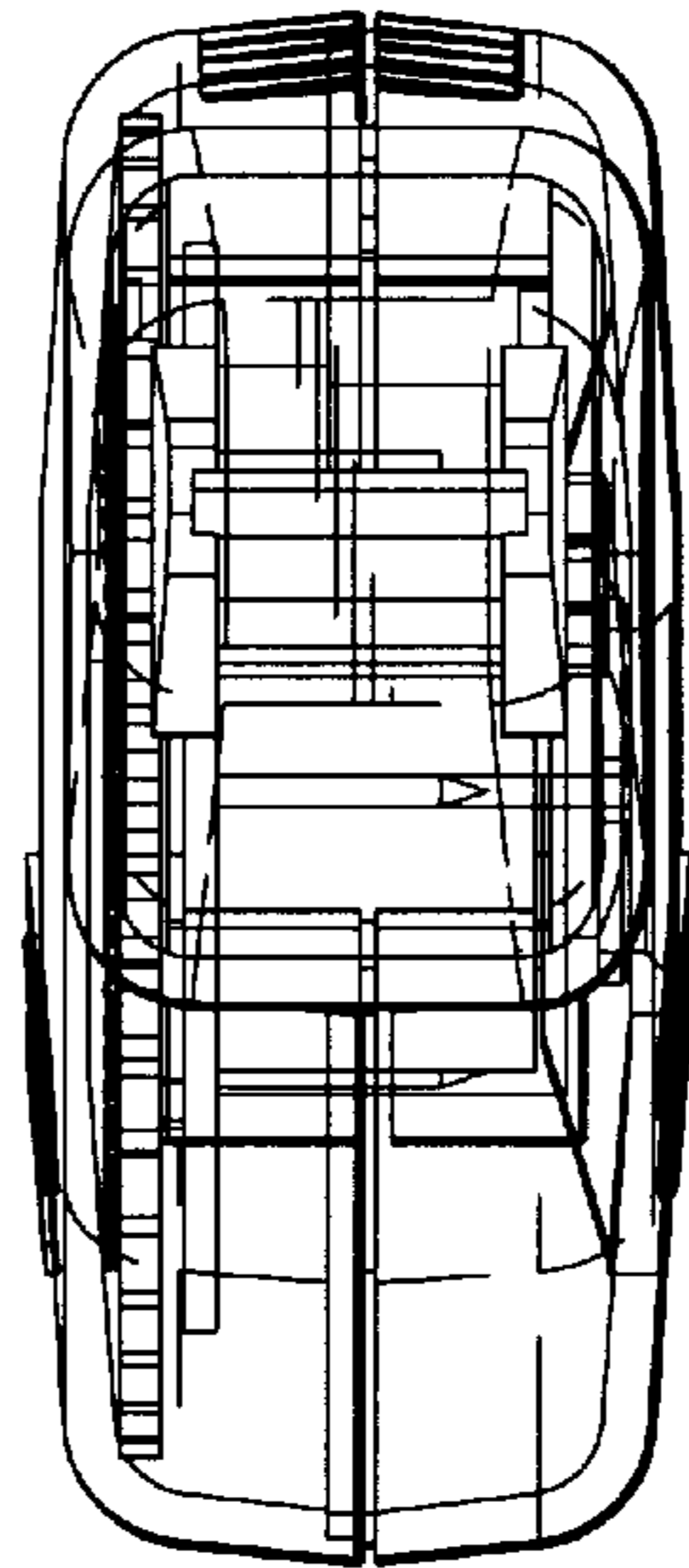


FIG 5

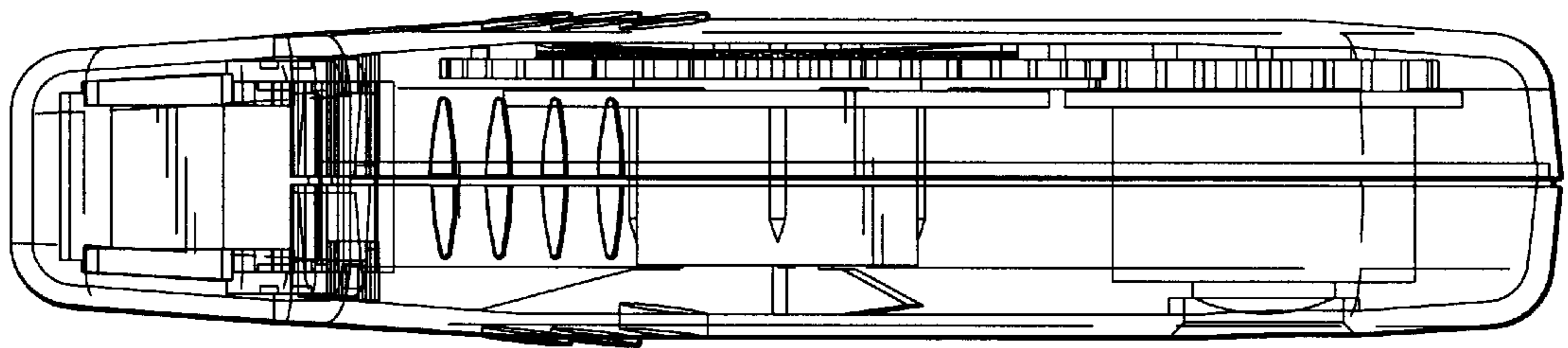


FIG 6

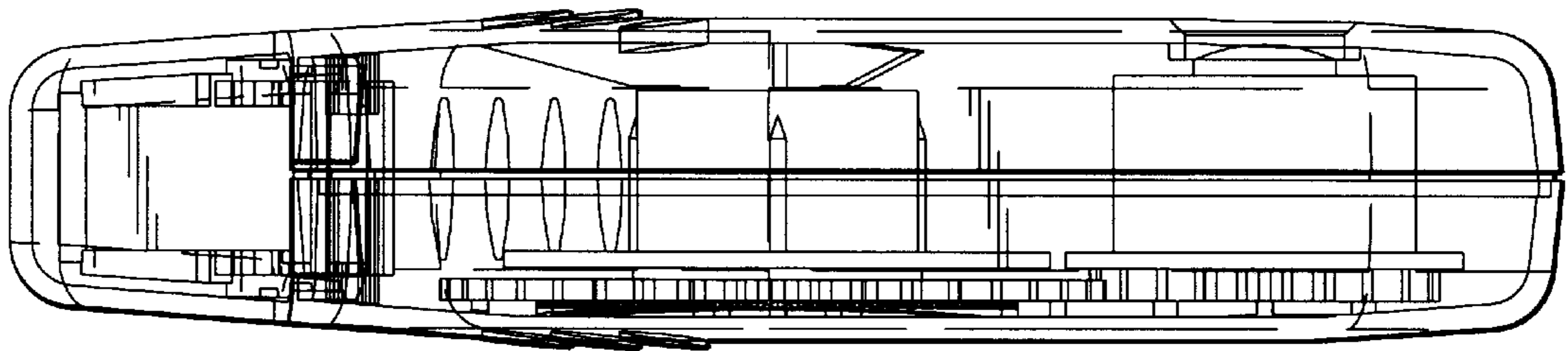


FIG 7