



US00D446244S

(12) **United States Design Patent**
Baudino et al.

(10) **Patent No.:** **US D446,244 S**

(45) **Date of Patent:** **** Aug. 7, 2001**

- (54) **WRITING IMPLEMENT**
- (75) Inventors: **Rodney J. Baudino**, Woodridge;
Charles E. Bain, Dundee, both of IL
(US)
- (73) Assignee: **Berol Corporation**, Freeport, IL (US)
- (**) Term: **14 Years**
- (21) Appl. No.: **29/132,487**
- (22) Filed: **Nov. 10, 2000**
- (51) **LOC (7) Cl.** **19-06**
- (52) **U.S. Cl.** **D19/51; D19/55**
- (58) **Field of Search** D19/35, 36, 41-51,
D19/53-58, 81-85; 401/6, 7, 88, 209, 243-247,
202, 262; 24/10 R

2,911,950	11/1959	Freeman	120/42.4
2,985,906	5/1961	Reimann	15/507
3,154,016	* 10/1964	Frey	D19/55 X
4,595,307	6/1986	Heyden	401/117
5,000,599	3/1991	McCall et al.	401/6
5,009,533	4/1991	Kageyama	401/65
5,294,206	3/1994	Mukunoki	401/206
5,354,140	10/1994	Diakoulas	401/6
5,468,083	11/1995	Chesar	401/6
5,555,602	9/1996	Leamond	15/428
5,735,622	4/1998	Melnick et al.	401/96
5,876,134	3/1999	Tseng et al.	401/6
5,913,629	6/1999	Hazard	401/33
5,926,901	7/1999	Tseng et al.	15/167.1
5,988,909	11/1999	Luke, Jr. et al.	401/6
5,997,200	12/1999	Kageyama et al.	401/6
6,019,534	2/2000	Heins	401/6

* cited by examiner

Primary Examiner—Martie K. Holtje

(74) *Attorney, Agent, or Firm*—Marshall, O’Toole,
Gerstein, Murray & Borun

(56) **References Cited**

U.S. PATENT DOCUMENTS

D. 106,326	10/1937	Ressinger .	
D. 145,587	9/1946	Reynolds .	
D. 240,817	8/1976	Funshashi D19/6
D. 284,773	7/1986	Schwartz et al. D19/48
D. 289,304	4/1987	Giugiaro D19/48
D. 319,844	9/1991	Grotsch et al. D19/48
D. 334,589	4/1993	Shike et al. D19/36
D. 355,673	2/1995	Takashaski D19/48
D. 361,346	8/1995	Johnson D19/50
D. 378,601	3/1997	Sakuno D19/48
D. 393,484	4/1998	Schubert D19/42
D. 401,275	* 11/1998	Otake D19/43
D. 402,693	* 12/1998	Sunaga D19/48
D. 414,807	* 10/1999	Baudino et al. D19/55
D. 417,699	* 12/1999	Izushima D19/48
D. 417,891	12/1999	Izushima D19/48
D. 423,577	4/2000	Baudino et al. D19/48
D. 423,578	4/2000	Izushima D19/48
428,752	* 5/1890	Gores 24/10 R
768,985	8/1904	Goldsmith .	
779,082	1/1905	Huber et al. .	
1,376,115	4/1921	Record .	
1,395,793	11/1921	Broschart .	
1,597,520	8/1926	Fischer .	
2,173,451	9/1939	Lorber .	
2,236,194	3/1941	Lorber 120/103
2,443,571	6/1948	Wherry 120/103

(57) **CLAIM**

The ornamental design for a writing implement, as shown and described.

DESCRIPTION

FIG. 1 is a perspective view of a writing implement showing our new design;
 FIG. 2 is a front elevational view of the writing implement shown in FIG. 1;
 FIG. 3 is a right side elevational view of the writing implement shown in FIG. 1;
 FIG. 4 is a left side elevational view of the writing implement shown in FIG. 1;
 FIG. 5 is a rear elevational view of the writing implement shown in FIG. 1;
 FIG. 6 is a bottom plan view of the writing implement shown in FIG. 1; and,
 FIG. 7 is a top plan view of the writing implement shown in FIG. 1.
 The writing implement cap in FIG. 1 and the writing tip in FIGS. 1 through 5 depicted by means of broken have been shown for illustrative purposes only and form no part of the claimed design.

1 Claim, 1 Drawing Sheet



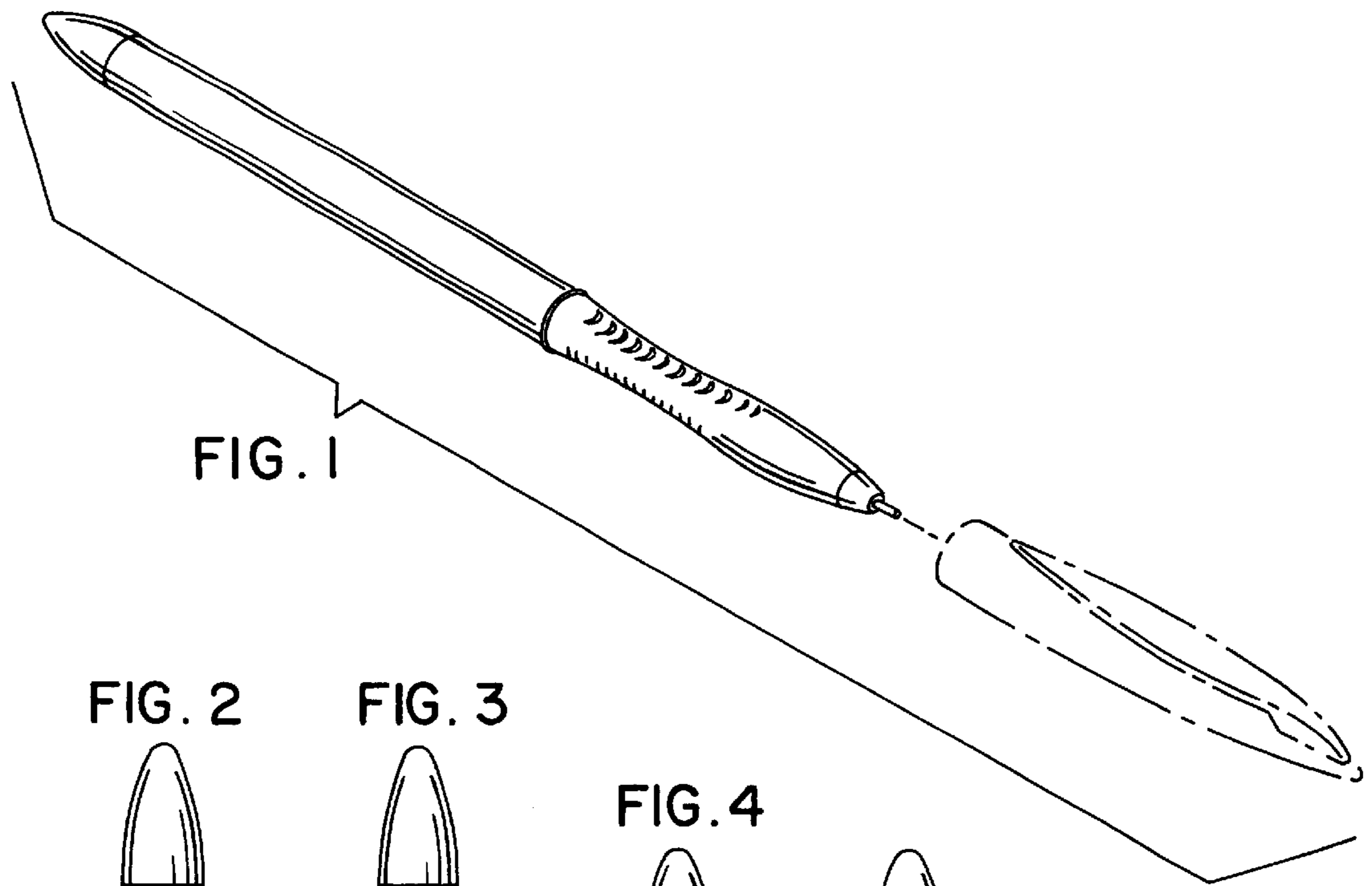


FIG. 2

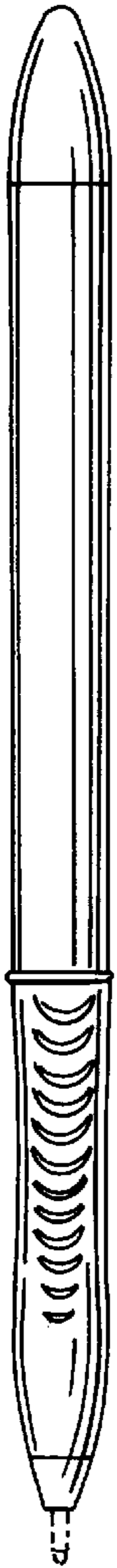


FIG. 3



FIG. 4

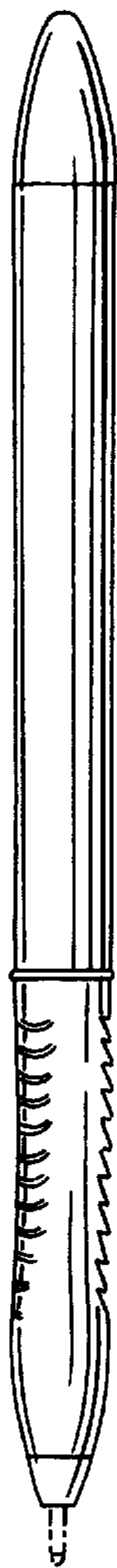


FIG. 5



FIG. 6



FIG. 7