



US00D446236S

(12) **United States Design Patent**
Chen

(10) **Patent No.:** **US D446,236 S**

(45) **Date of Patent:** **** Aug. 7, 2001**

(54) **PATTERN PROJECTOR**

(76) Inventor: **Chia-Teh Chen**, 5F, No. 30, Yet Sen Rd., Taipei (TW)

(**) Term: **14 Years**

(21) Appl. No.: **29/125,864**

(22) Filed: **Jul. 3, 2000**

(51) **LOC (7) Cl.** **16-02**

(52) **U.S. Cl.** **D16/221; D20/99; 40/560**

(58) **Field of Search** **D16/203, 204, D16/208, 221, 225; D20/10, 19, 99; D21/514; 40/560; 353/119, 122**

(56) **References Cited**

U.S. PATENT DOCUMENTS

D. 43,644	*	2/1913	Roffy	D16/221
D. 43,645	*	2/1913	Roffy	D16/221
D. 425,537	*	5/2000	Lavy	D16/221
2,726,571	*	12/1955	Chang	40/560
3,020,798	*	2/1962	Chrisman	40/560

* cited by examiner

Primary Examiner—Adir Aronovich

(74) *Attorney, Agent, or Firm*—Rosenberg, Klein & Lee

(57) **CLAIM**

The ornamental design for a pattern projector, as shown and described.

DESCRIPTION

FIG. 1 is the perspective view of a pattern projector showing my new design;

FIG. 2 is the front view thereof;

FIG. 3 is the rear view thereof;

FIG. 4 is the left side view thereof;

FIG. 5 is the right side view thereof;

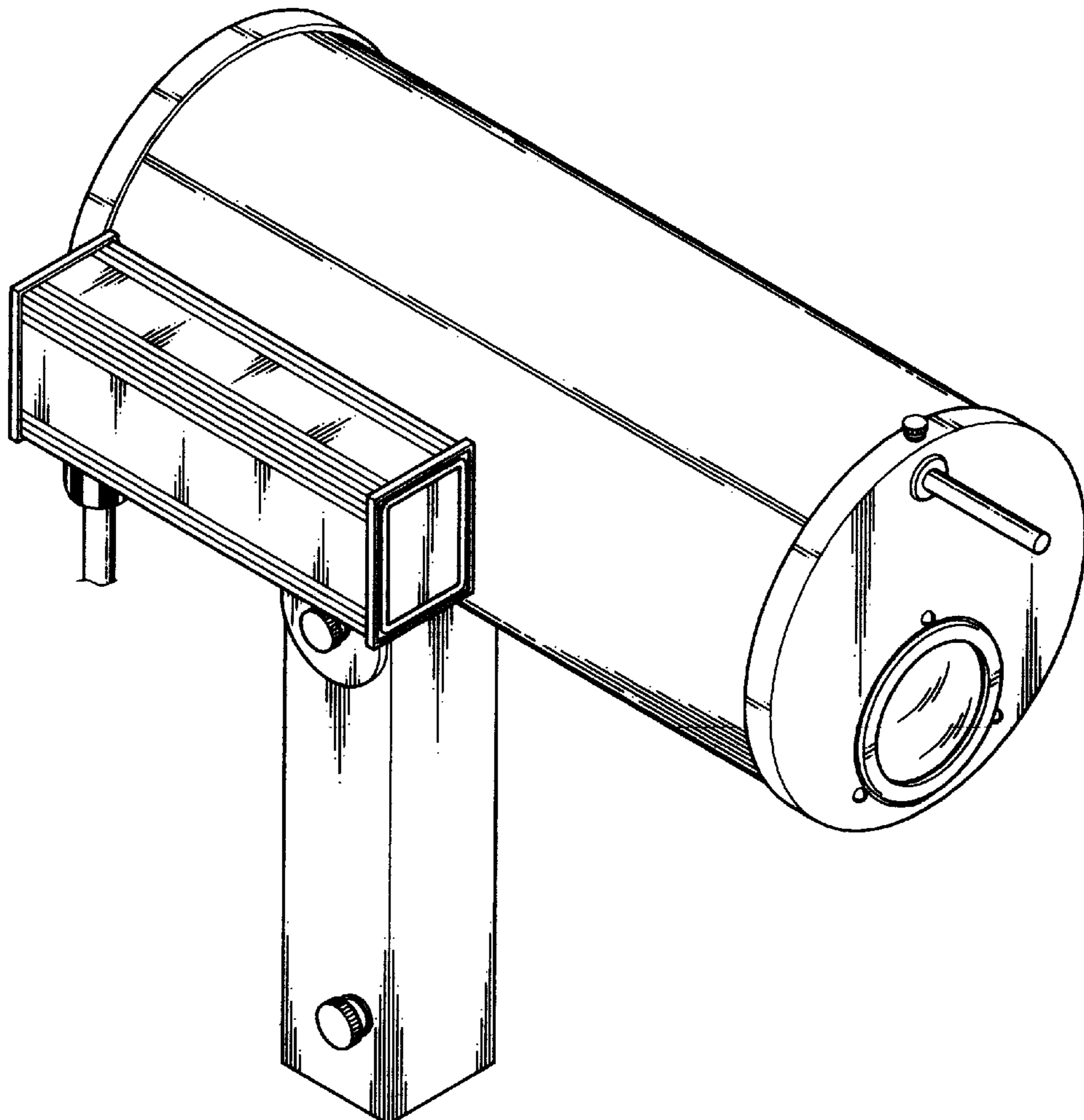
FIG. 6 is the top view thereof;

FIG. 7 is the bottom view thereof; and,

FIG. 8 is the perspective view showing the practical usage thereof.

The broken lines of FIG. 8 are to illustrate an environment only and form no part of the claimed design.

1 Claim, 8 Drawing Sheets



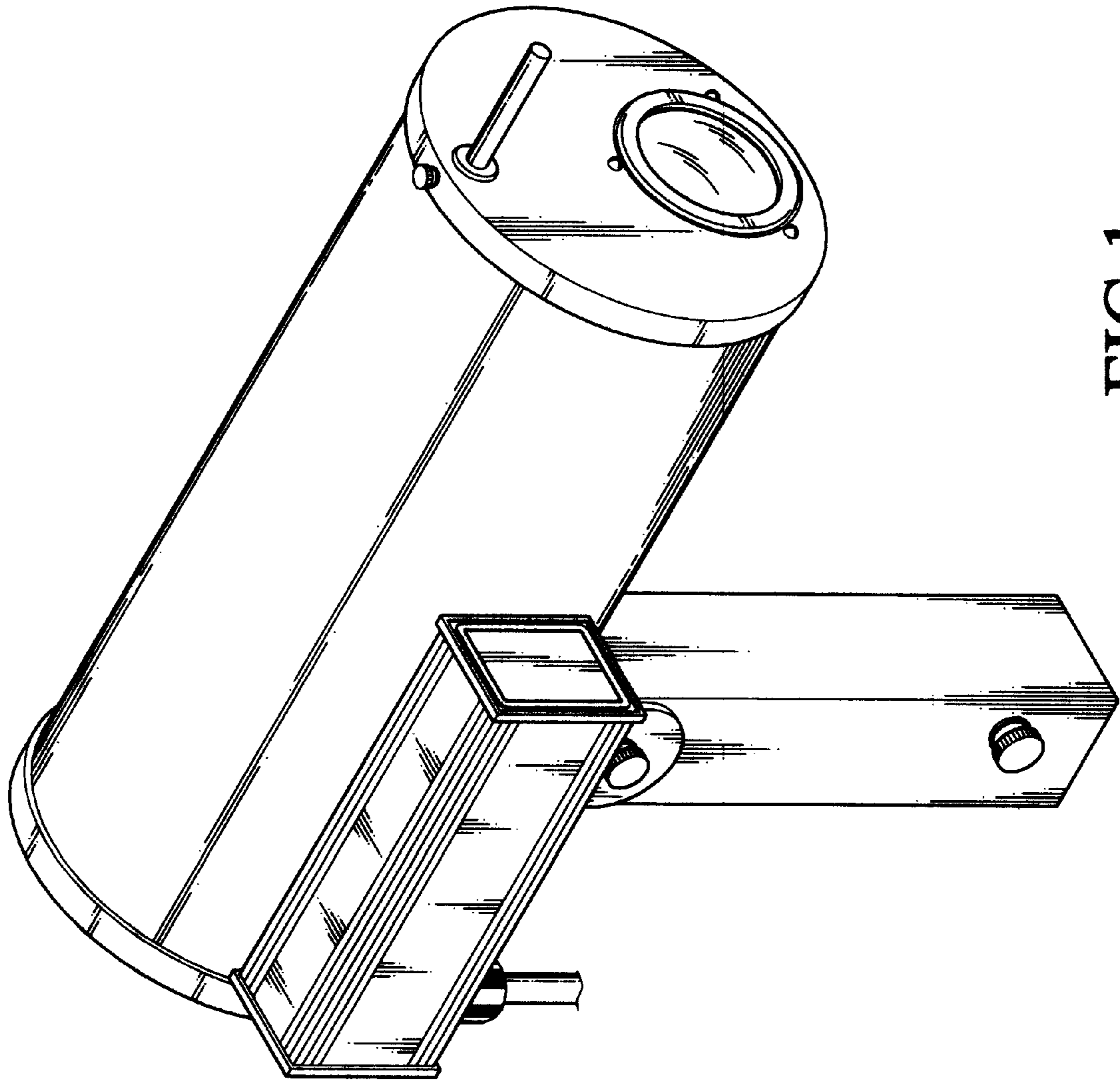


FIG. 1

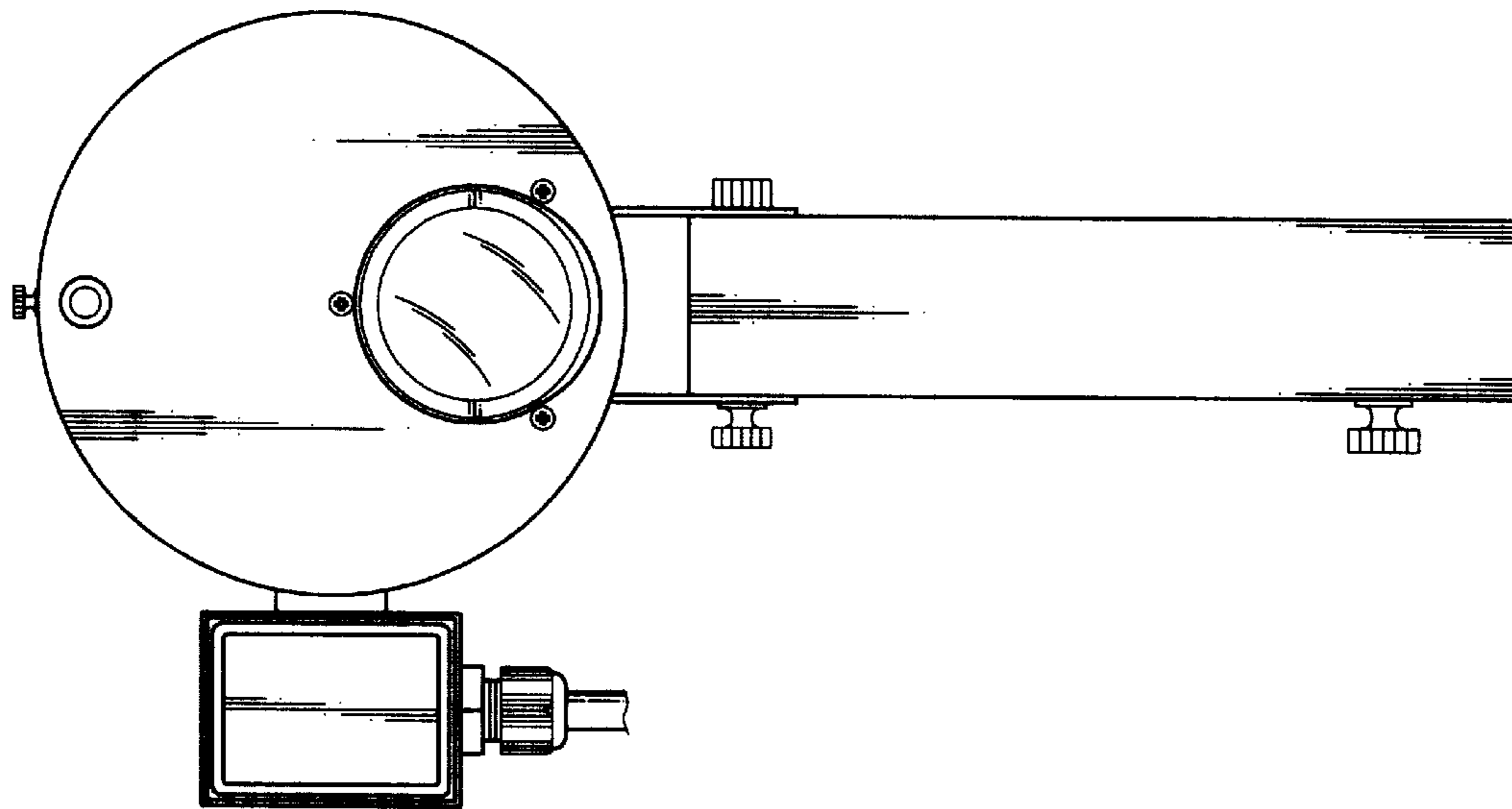


FIG.2

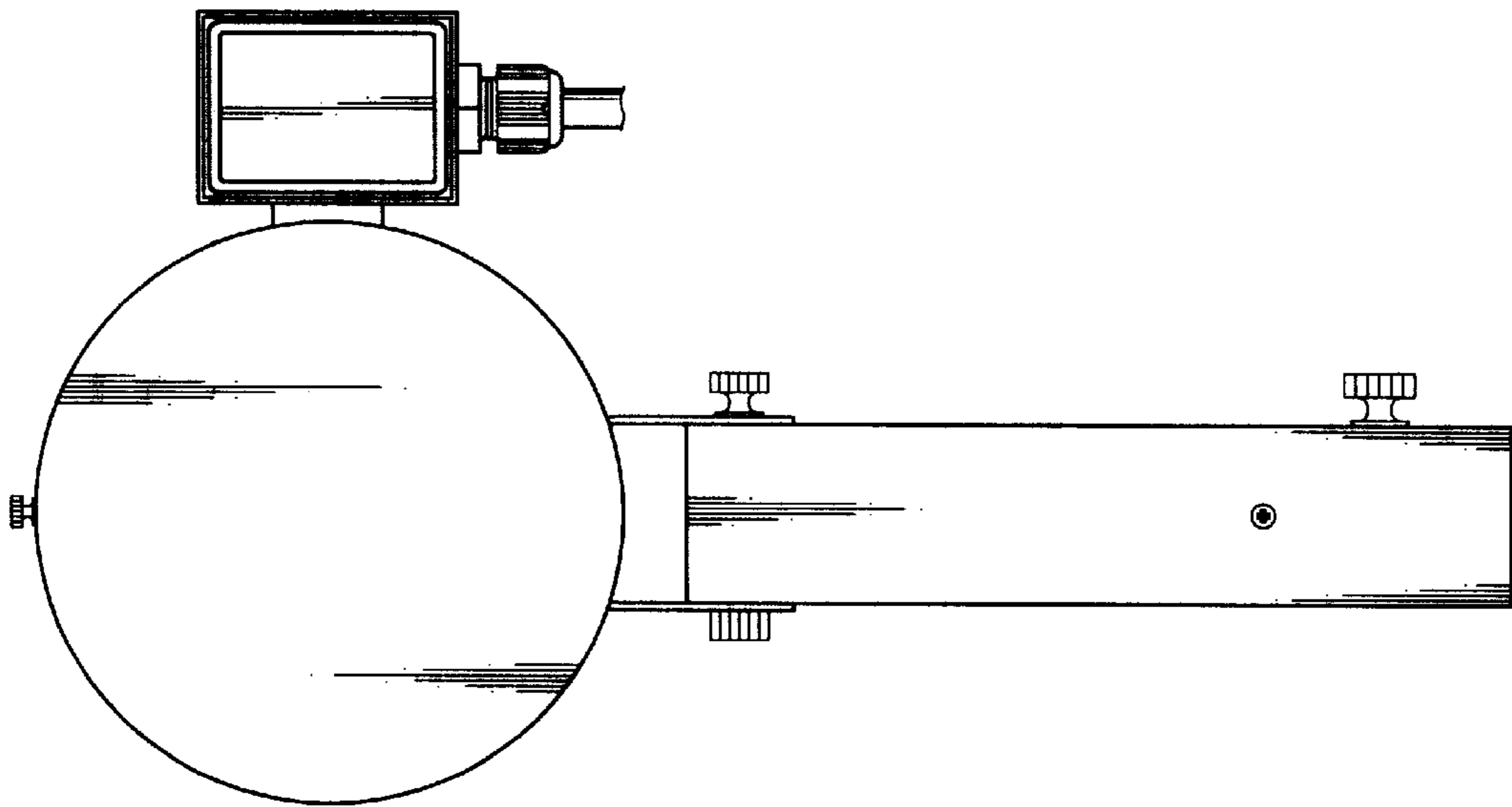


FIG.3

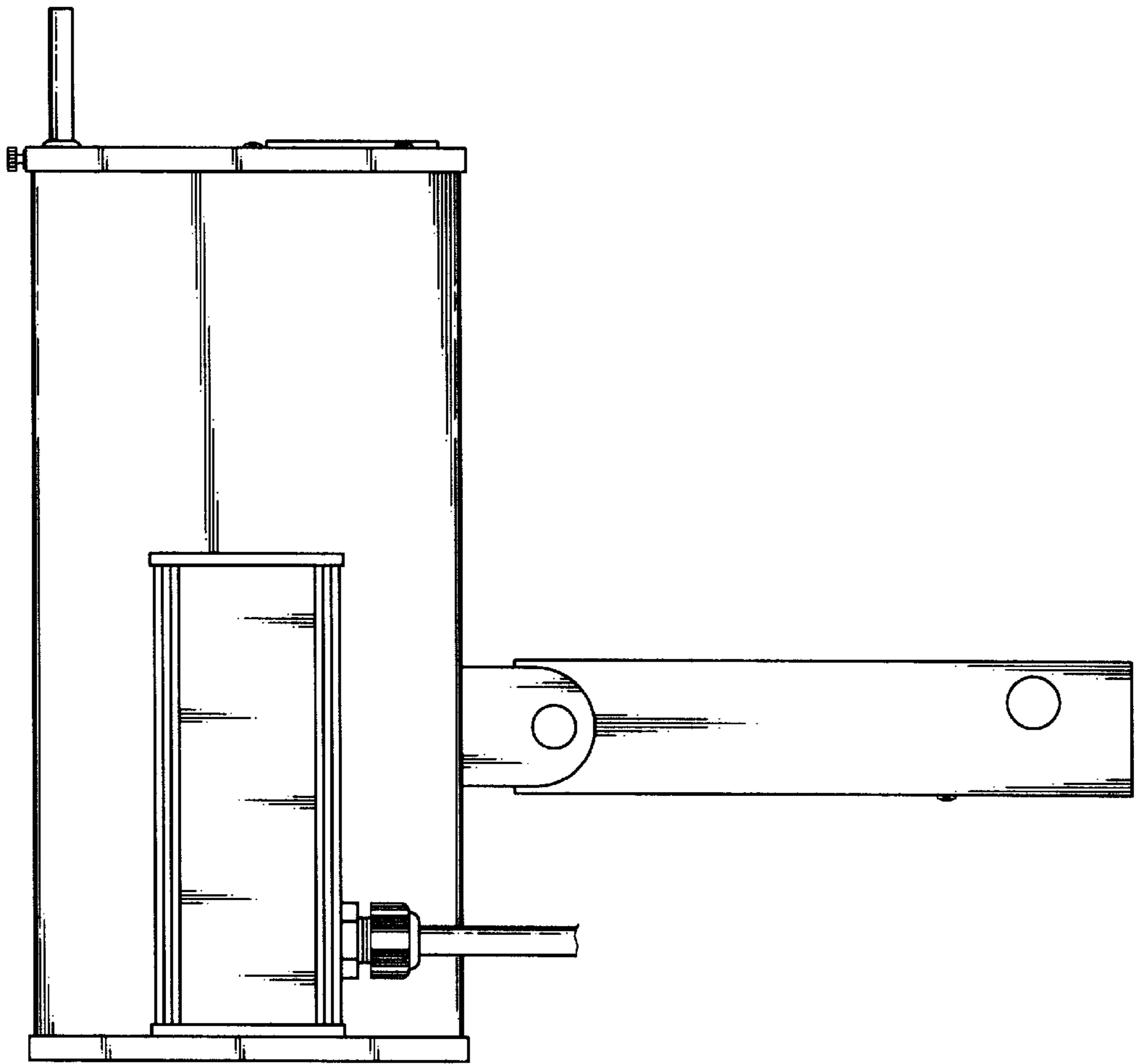


FIG. 4

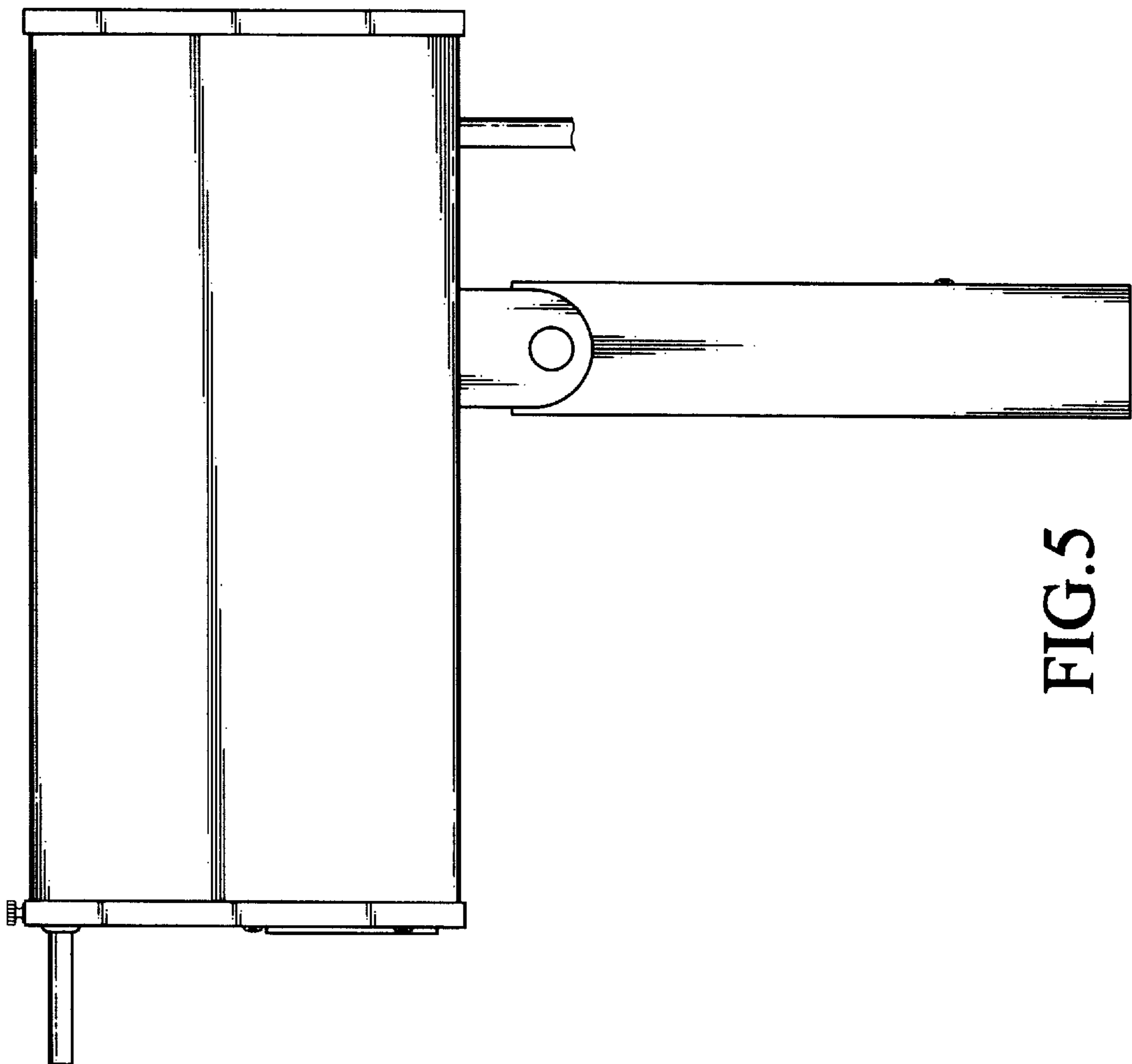


FIG. 5

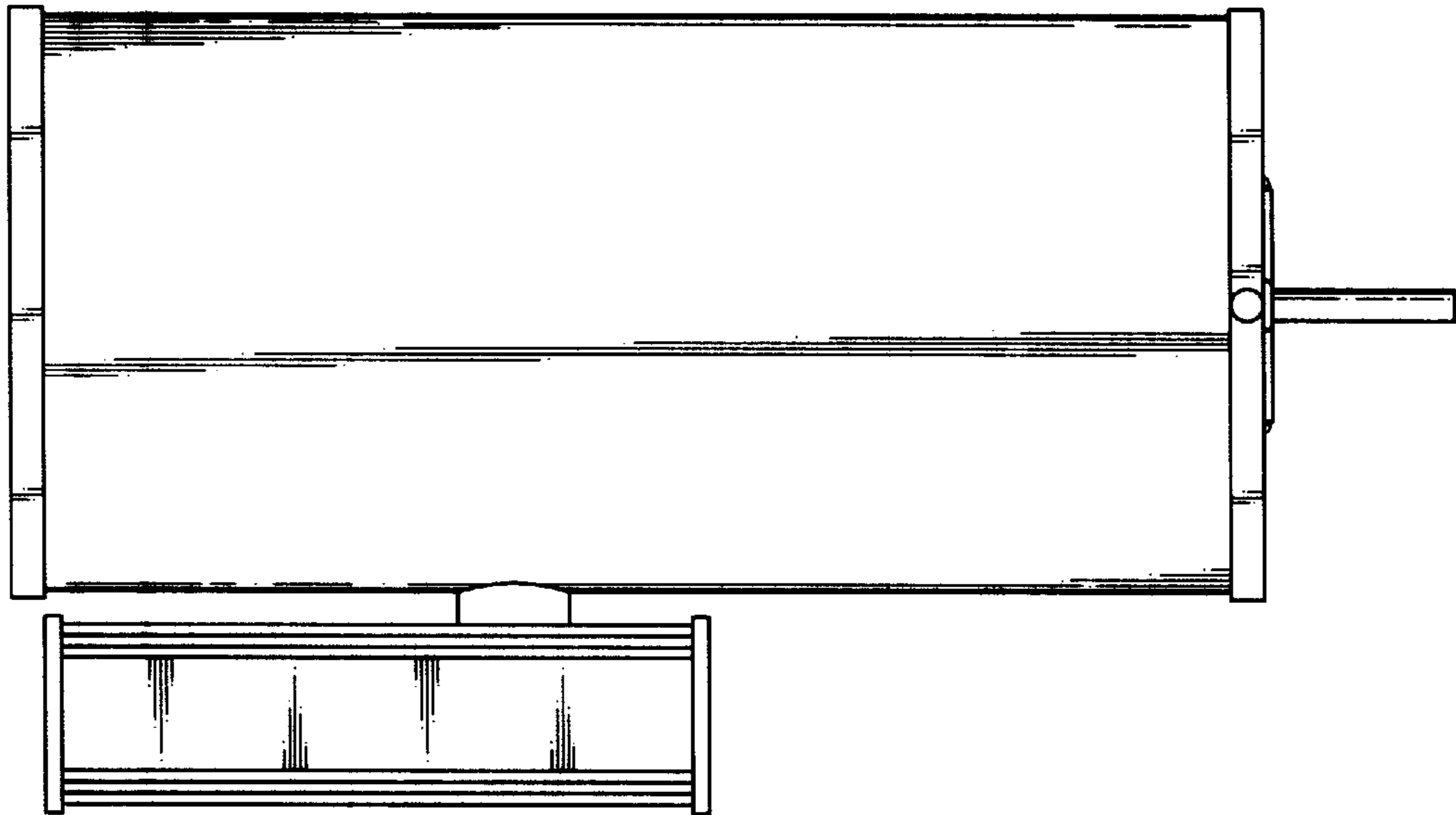


FIG.6

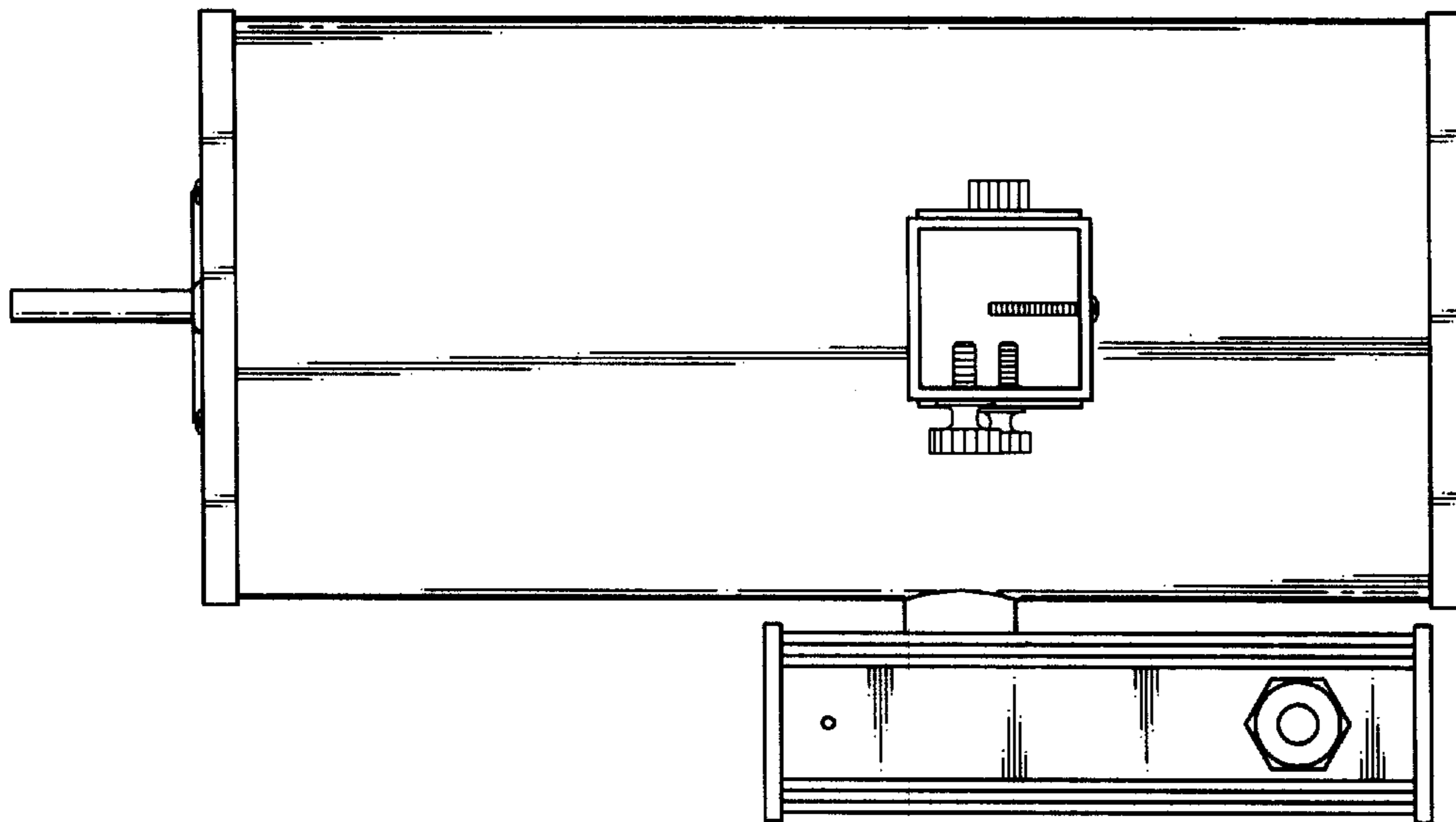


FIG. 7

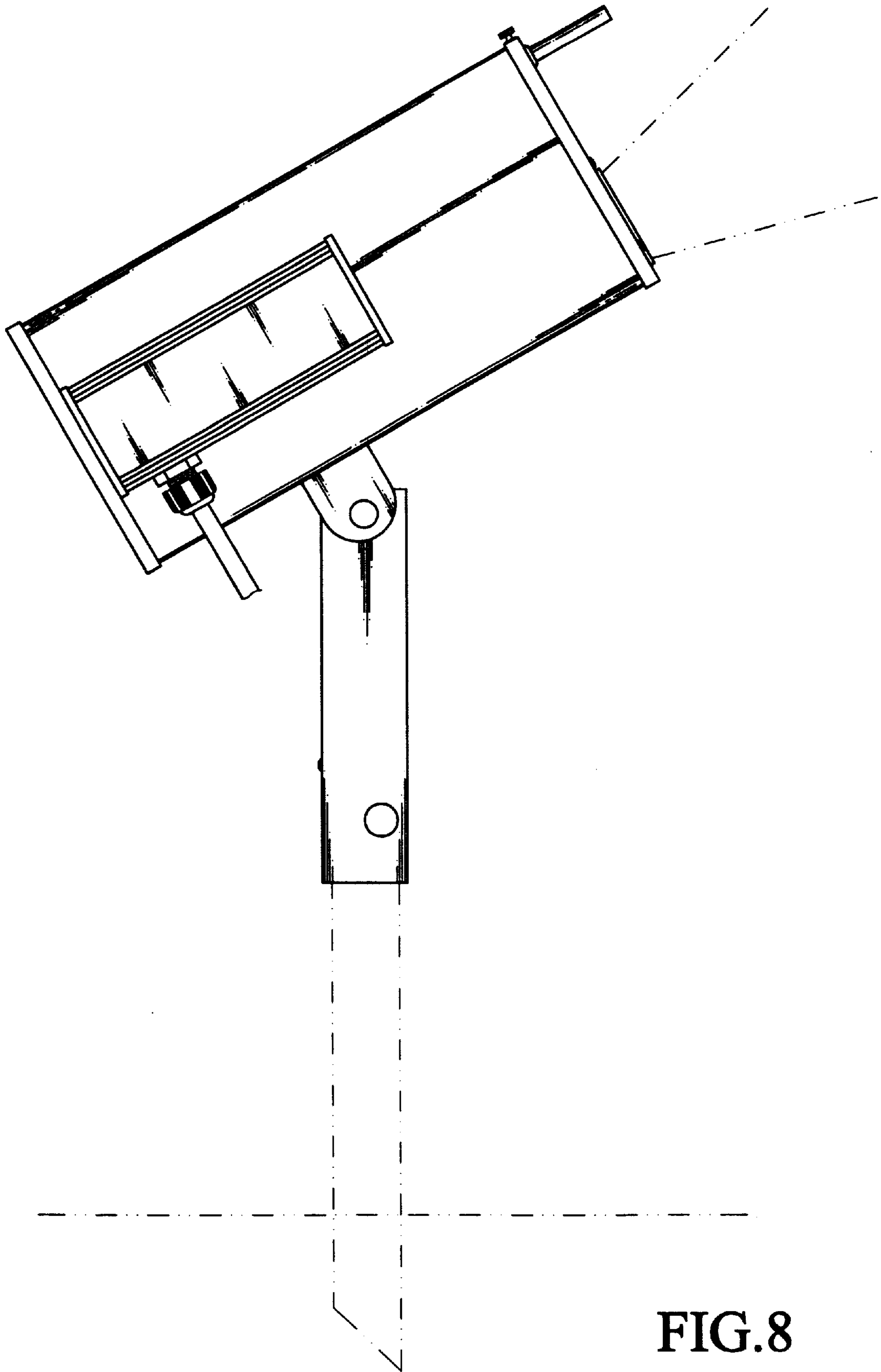


FIG. 8