



US00D446235S

(12) **United States Design Patent**
Morishita et al.

(10) **Patent No.:** **US D446,235 S**

(45) **Date of Patent:** **** Aug. 7, 2001**

(54) **SINGLE-LENS REFLEX CAMERA BODY**

(75) Inventors: **Yashuhiro Morishita**, Tokyo; **Takanori Honda**, Yokohama; **Yoshiyuki Matsumura**, Yokosuka, all of (JP)

(73) Assignee: **Canon Kabushiki Kaisha**, Tokyo (JP)

(**) Term: **14 Years**

(21) Appl. No.: **29/132,838**

(22) Filed: **Nov. 17, 2000**

(30) **Foreign Application Priority Data**

May 29, 2000 (JP) 12-014173

(51) **LOC (7) Cl.** **16-01**

(52) **U.S. Cl.** **D16/217**

(58) **Field of Search** D16/200-205,
D16/208, 209, 216, 218; 396/354-359,
535-541

(56) **References Cited**

U.S. PATENT DOCUMENTS

D. 317,929 * 7/1991 Tanaka et al. D16/217

D. 340,735 * 10/1993 Tanaka et al. D16/217

D. 424,593 * 5/2000 Nojima et al. D16/217

D. 425,094 * 5/2000 Morishita et al. D16/217

D. 433,434 * 11/2000 Hamamura D16/217

4,406,533 * 9/1983 Yamamoto 396/206

4,692,010 * 9/1987 Kataoka et al. 396/354

* cited by examiner

Primary Examiner—Adir Aronovich

(74) *Attorney, Agent, or Firm*—Fitzpatrick, Cella, Harper & Scinto

(57) **CLAIM**

The ornamental design for a single-lens reflex camera body, as shown and described.

DESCRIPTION

FIG. 1 is a front view of a single-lens reflex camera body showing our new design;

FIG. 2 is a rear view thereof;

FIG. 3 is a top plan view thereof;

FIG. 4 is a bottom plan view thereof;

FIG. 5 is a left side view thereof;

FIG. 6 is a right side view thereof; and,

FIG. 7 is a perspective view thereof.

1 Claim, 4 Drawing Sheets

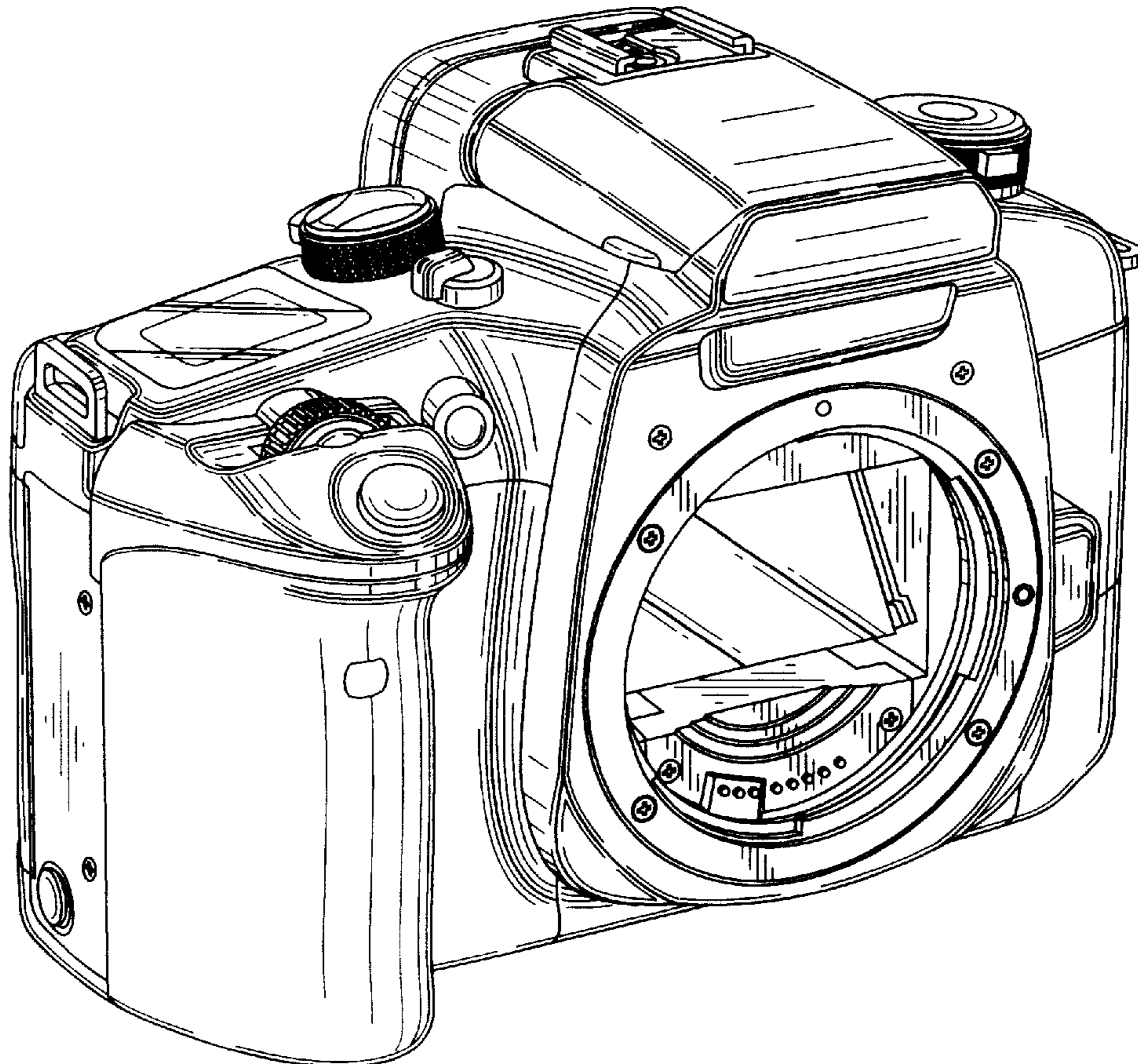


FIG. 1

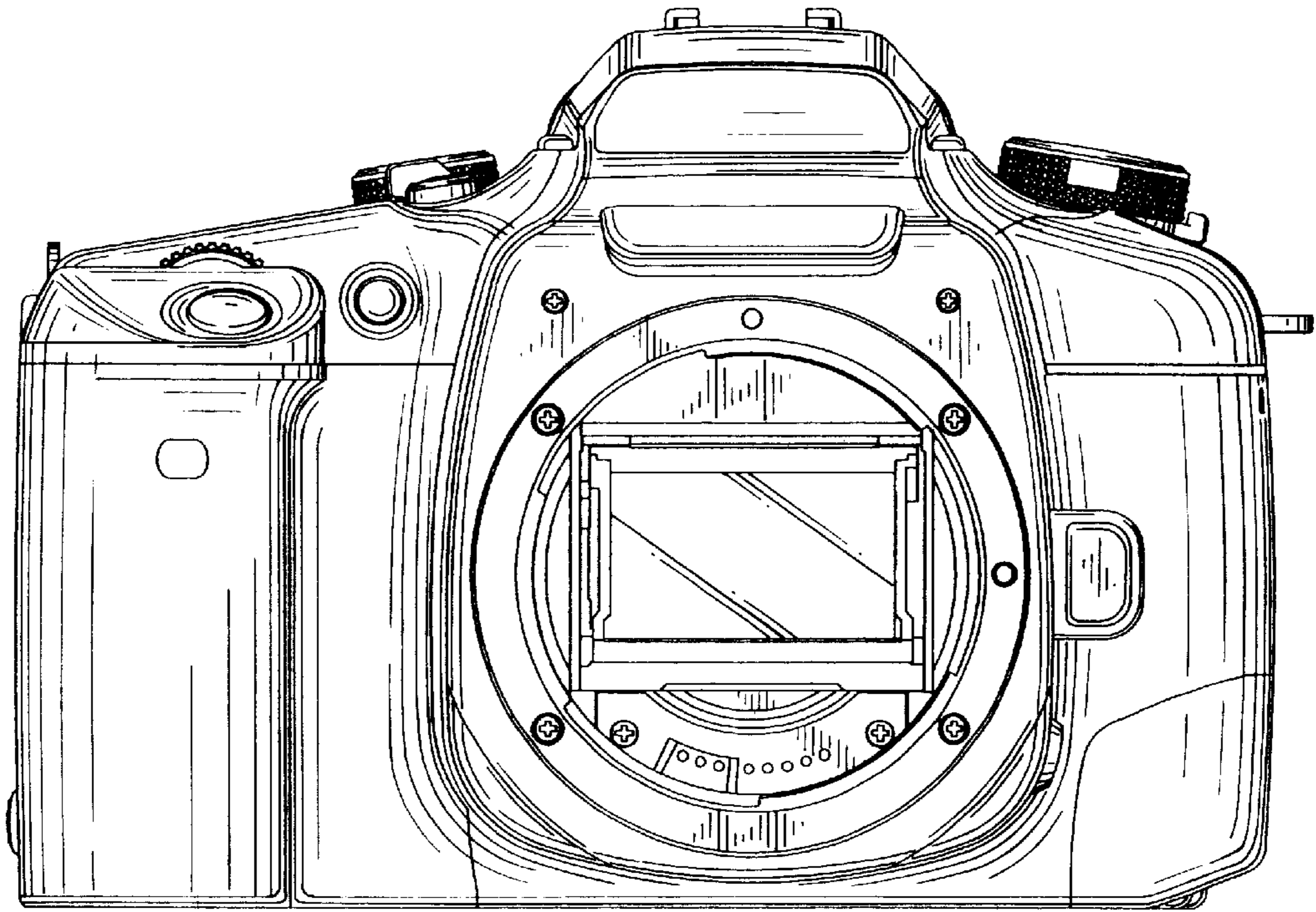


FIG. 2

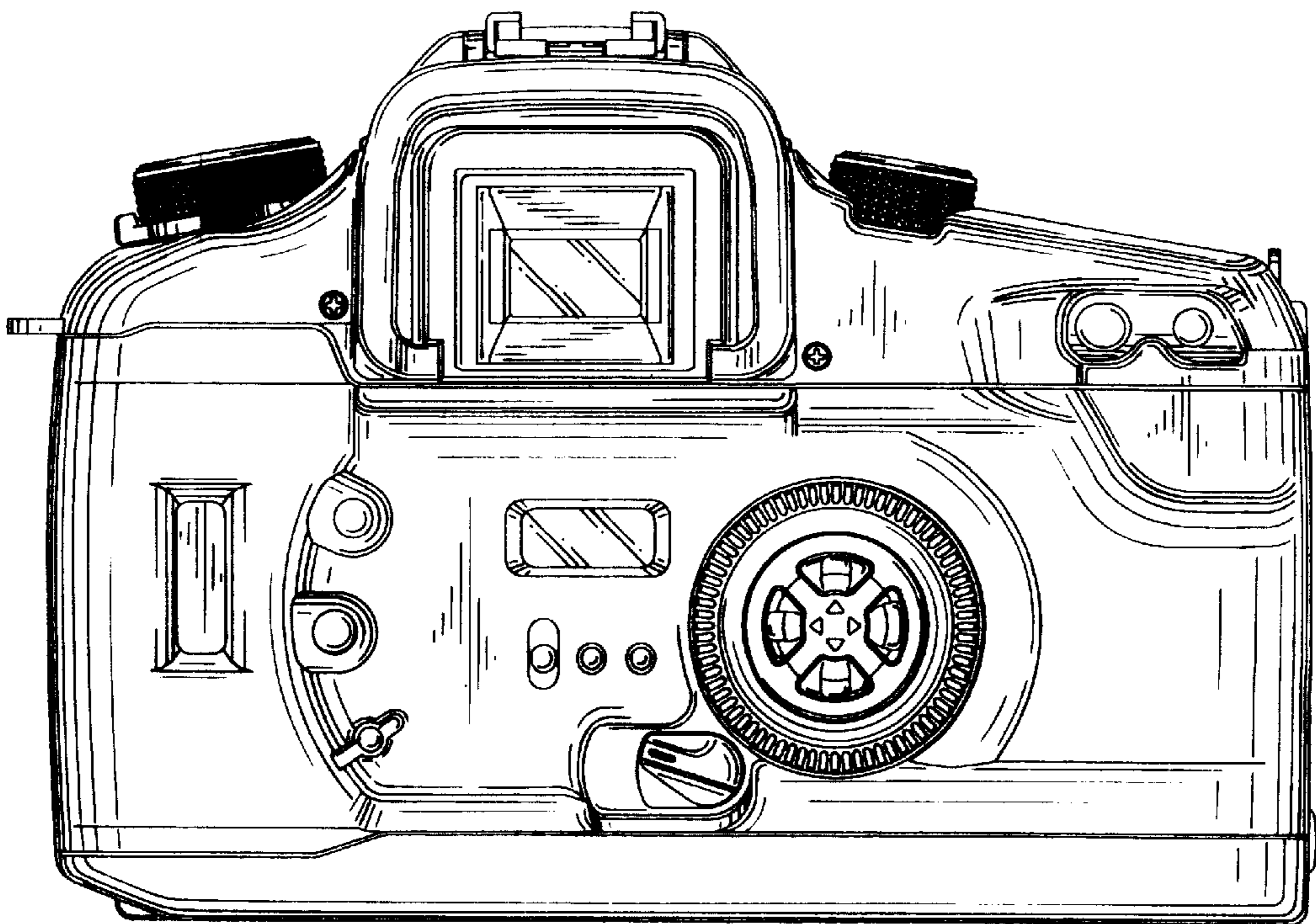


FIG. 3

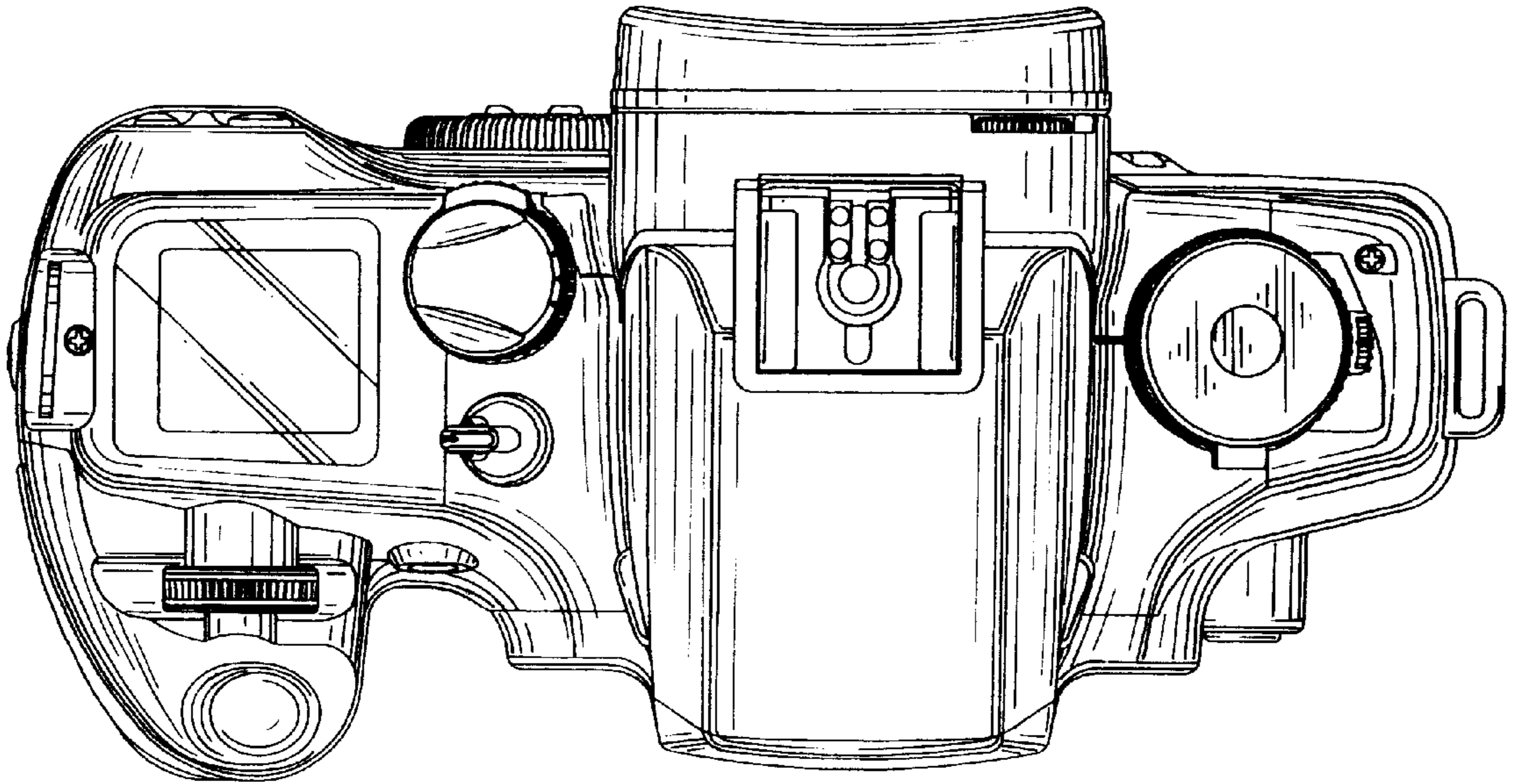


FIG. 4

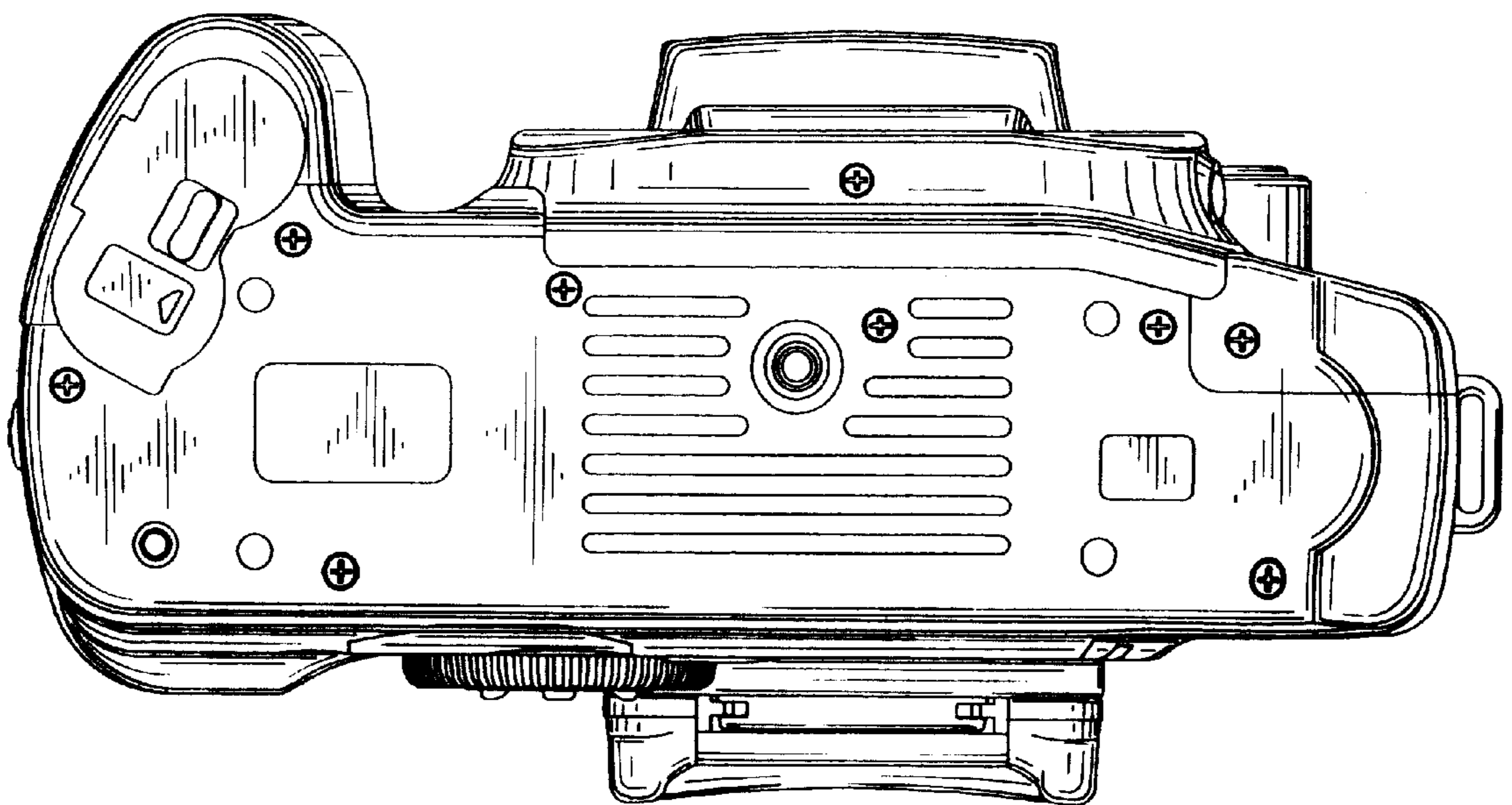


FIG. 5

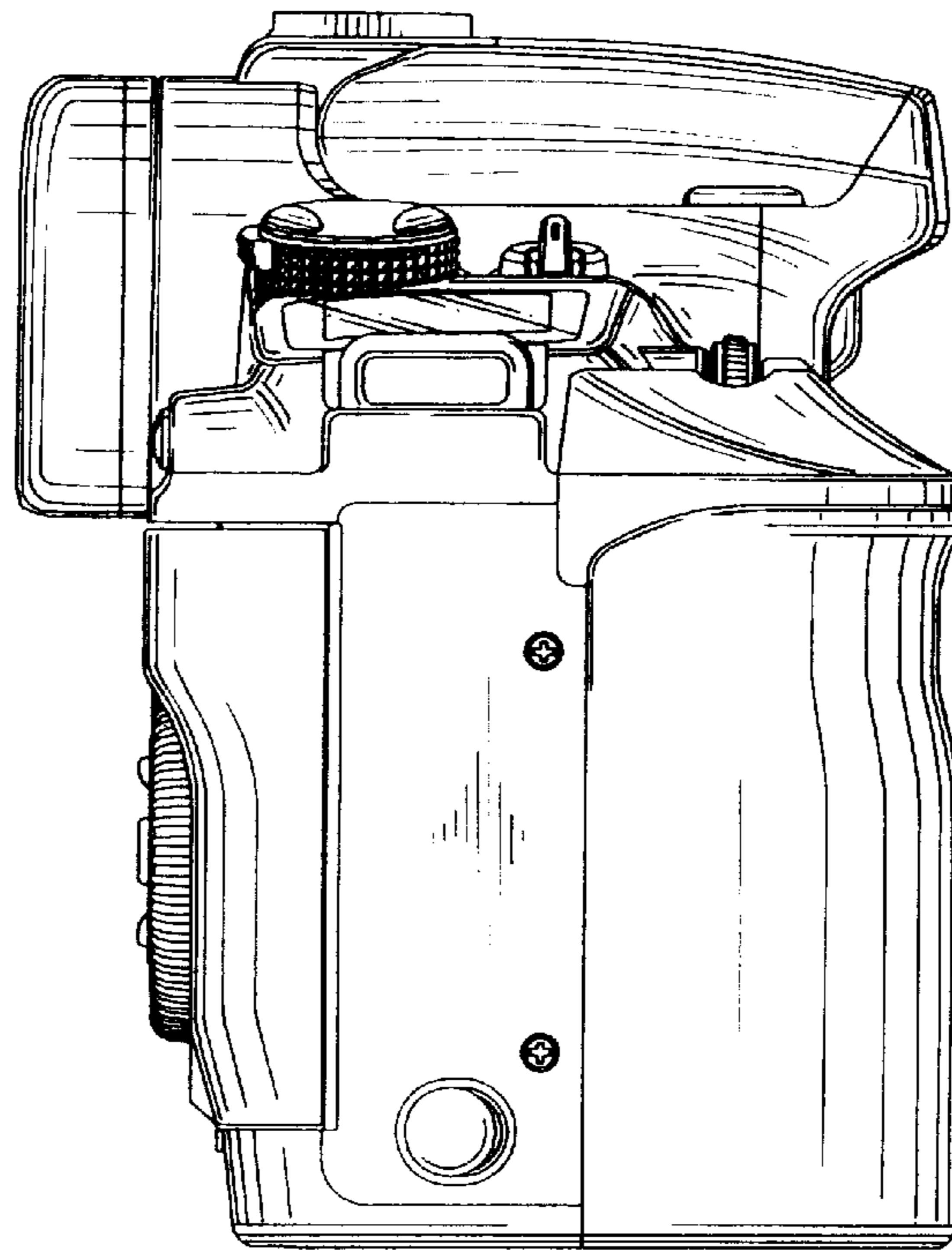


FIG. 6

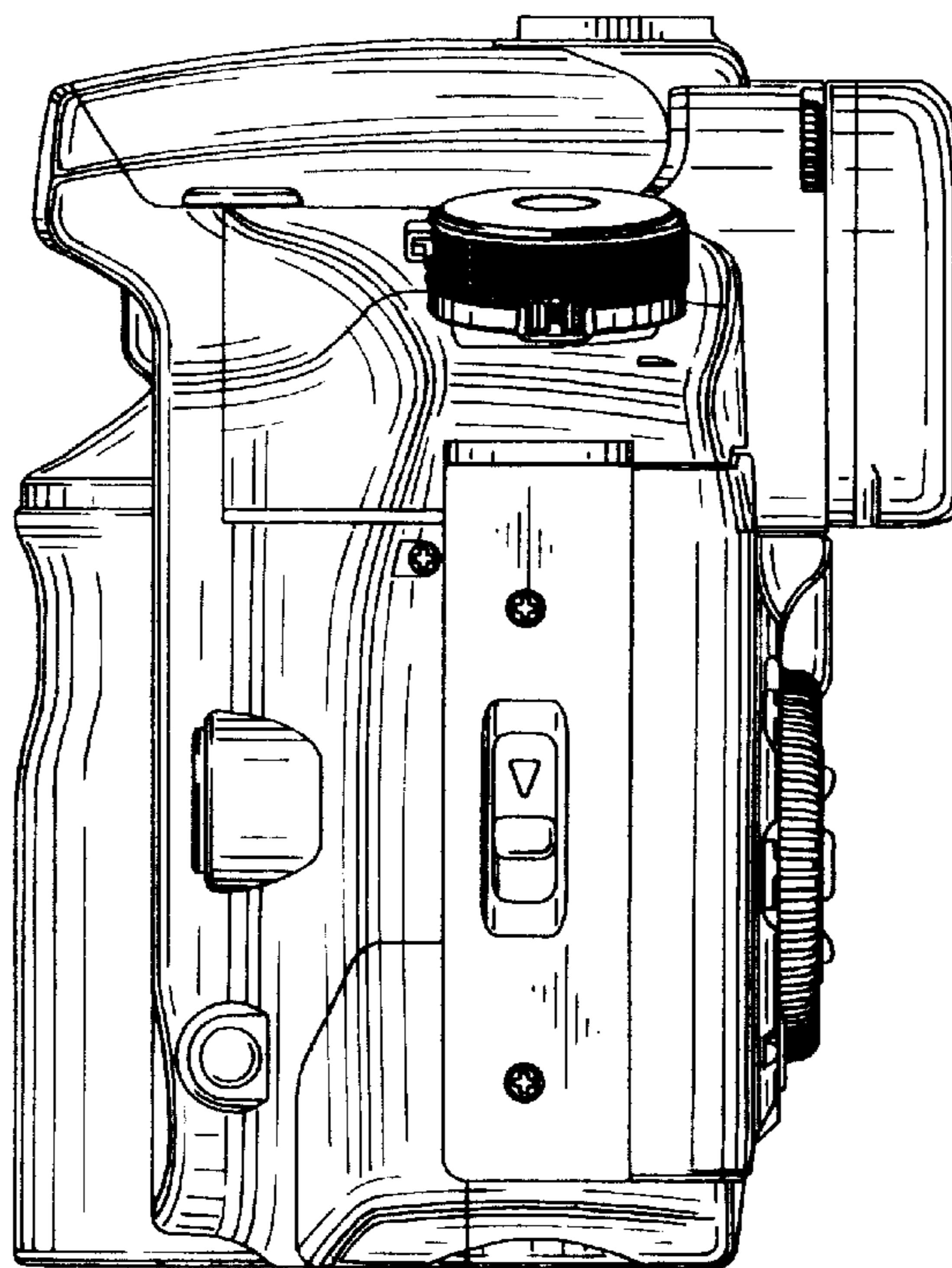
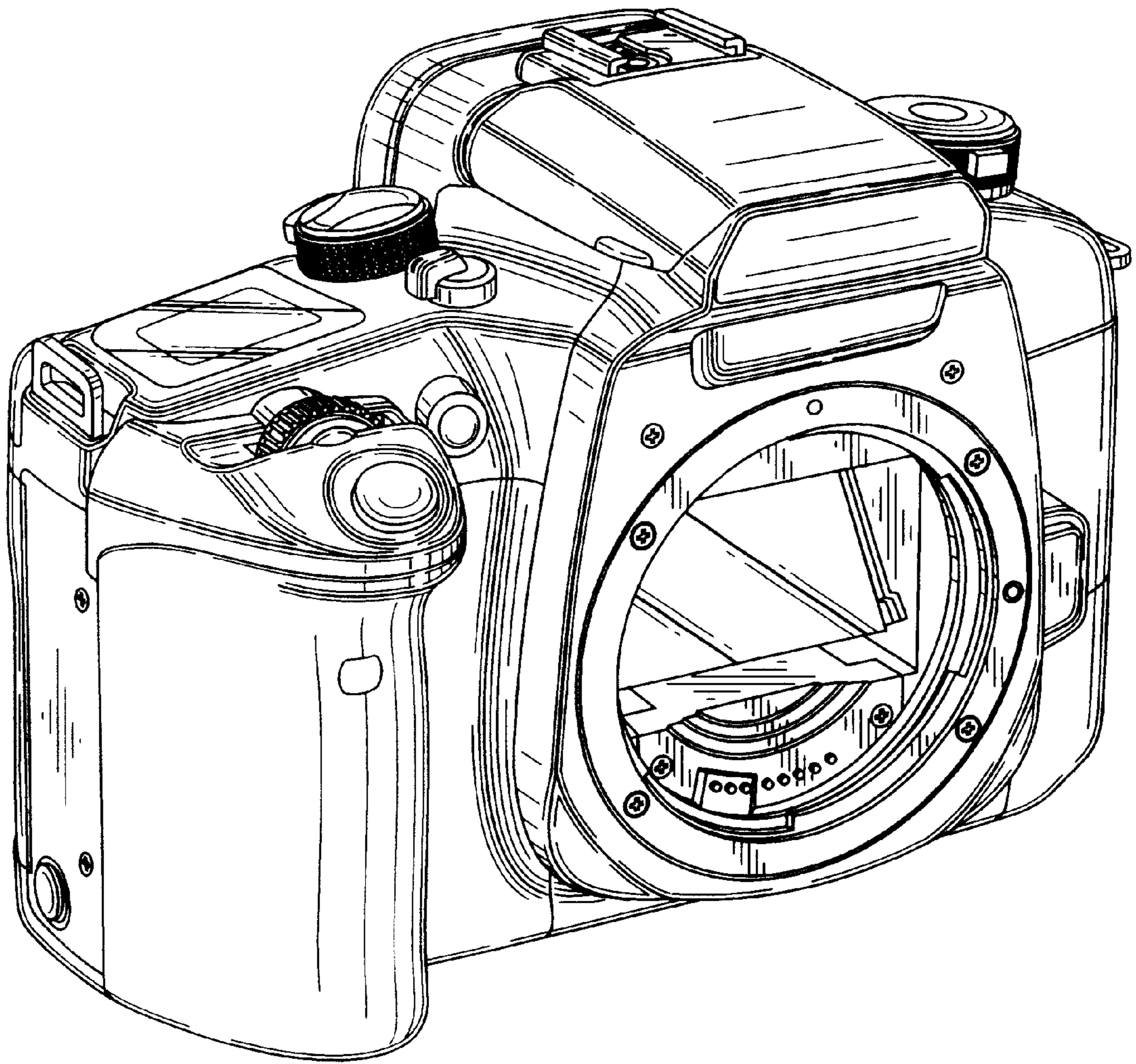


FIG. 7



UNITED STATES PATENT AND TRADEMARK OFFICE
CERTIFICATE OF CORRECTION

PATENT NO. : Des 446,235 S
DATED : August 7, 2001
INVENTOR(S) : Yasuhiro Morishita et al.

Page 1 of 1

It is certified that error appears in the above-identified patent and that said Letters Patent is hereby corrected as shown below:

Title page,

Item [75] Inventors, "**Yashuhiro Morishita**" should read -- **Yasuhiro Morishita** --.

Signed and Sealed this

Second Day of April, 2002

Attest:

A handwritten signature in black ink, appearing to read "James E. Rogan", with a horizontal line underneath it.

Attesting Officer

JAMES E. ROGAN
Director of the United States Patent and Trademark Office