



US00D446234S

(12) **United States Design Patent**
Shih

(10) **Patent No.:** **US D446,234 S**

(45) **Date of Patent:** **** Aug. 7, 2001**

(54) **DIGITAL CAMCORDER BASE**

D. 407,762 * 4/1999 Ota et al. D21/332
D. 423,491 * 4/2000 Harris et al. D14/130

(75) Inventor: **Chih-Shyong Shih**, Taipei (TW)

OTHER PUBLICATIONS

(73) Assignee: **AME Optimedia Technology Co., Ltd.**, Taipei (TW)

Better Homes and Gardens, Feb. 2000.*

(**) Term: **14 Years**

* cited by examiner

Primary Examiner—Adir Aronovich

(21) Appl. No.: **29/129,059**

(57) **CLAIM**

(22) Filed: **Sep. 2, 2000**

The ornamental design for a digital camcorder base, as shown and described.

(51) **LOC (7) Cl.** **16-01**

DESCRIPTION

(52) **U.S. Cl.** **D16/202; D16/242**

(58) **Field of Search** D16/200–206,
D16/208, 242; D14/130; 348/14–20, 373–376;
358/906, 909.1; 396/419, 535–541

FIG. 1 is a perspective view of digital camcorder base showing my new design;
FIG. 2 is a front elevational view thereof;
FIG. 3 is a rear elevational view thereof;
FIG. 4 is a left side elevational view thereof;
FIG. 5 is right side elevational view thereof;
FIG. 6 is a top view thereof; and,
FIG. 7 is a bottom view thereof.

(56) **References Cited**

U.S. PATENT DOCUMENTS

- D. 383,475 * 9/1997 Yamauchi et al. D16/202
- D. 389,500 * 1/1998 Krekelberg D16/202
- D. 390,585 * 2/1998 Sakata et al. D16/202
- D. 392,299 * 3/1998 Lin D16/202

1 Claim, 7 Drawing Sheets





Fig.1

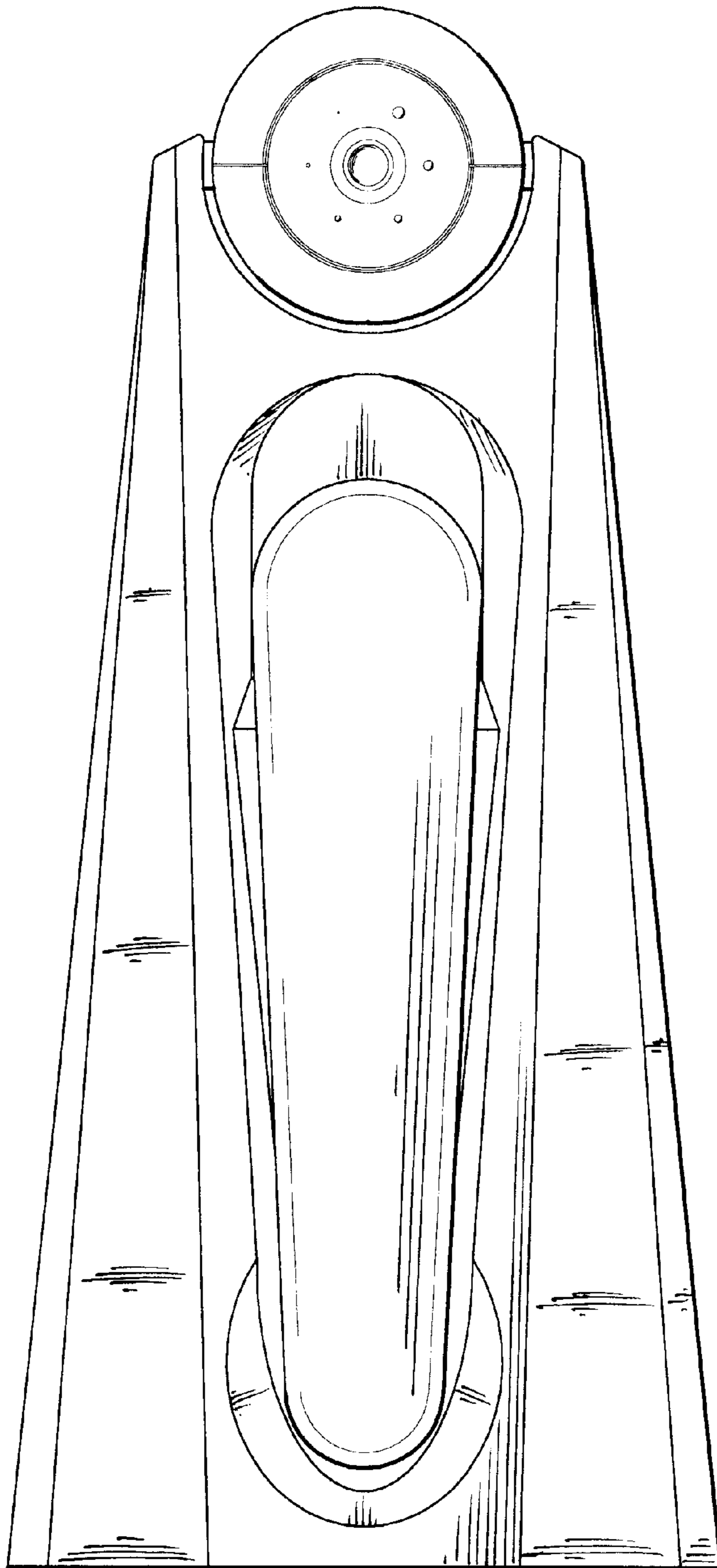


Fig.2

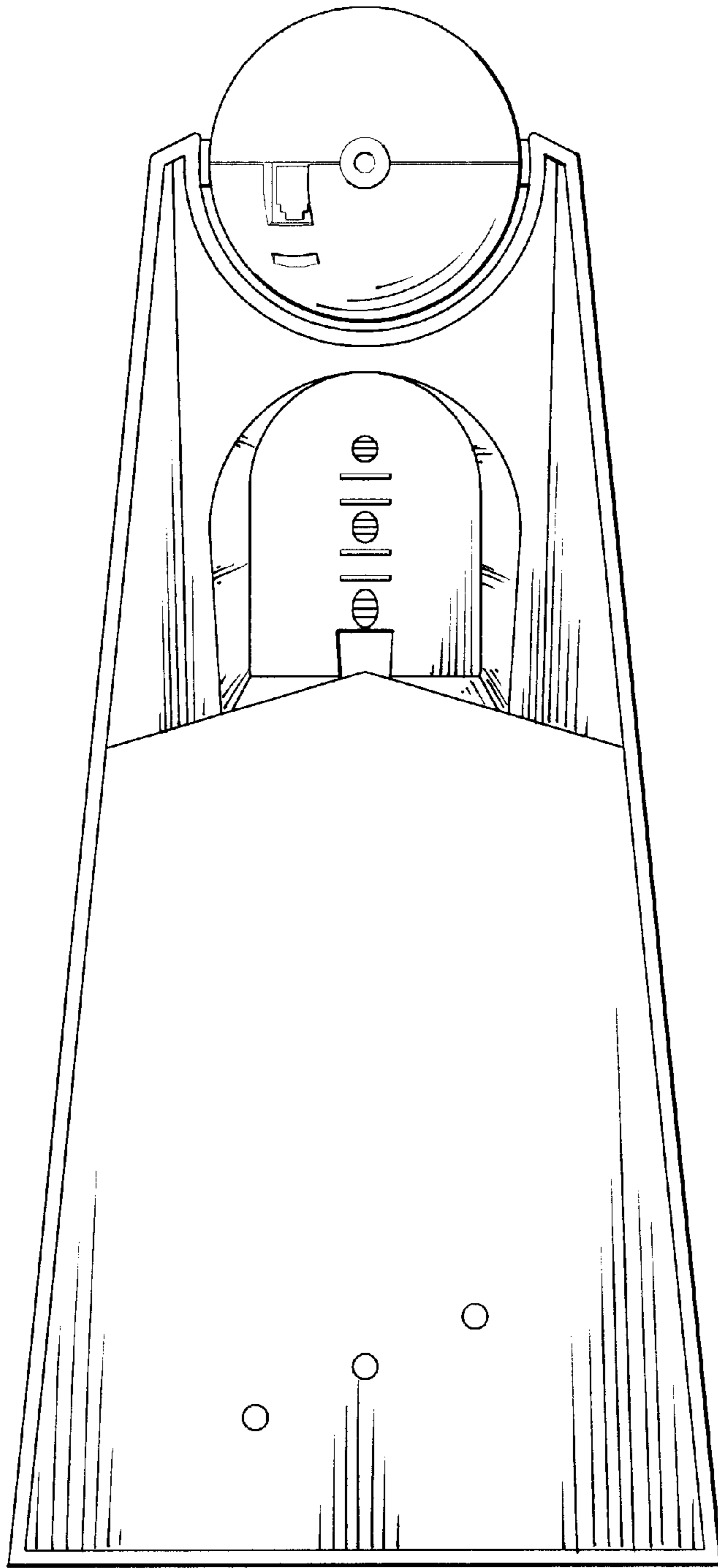


Fig.3

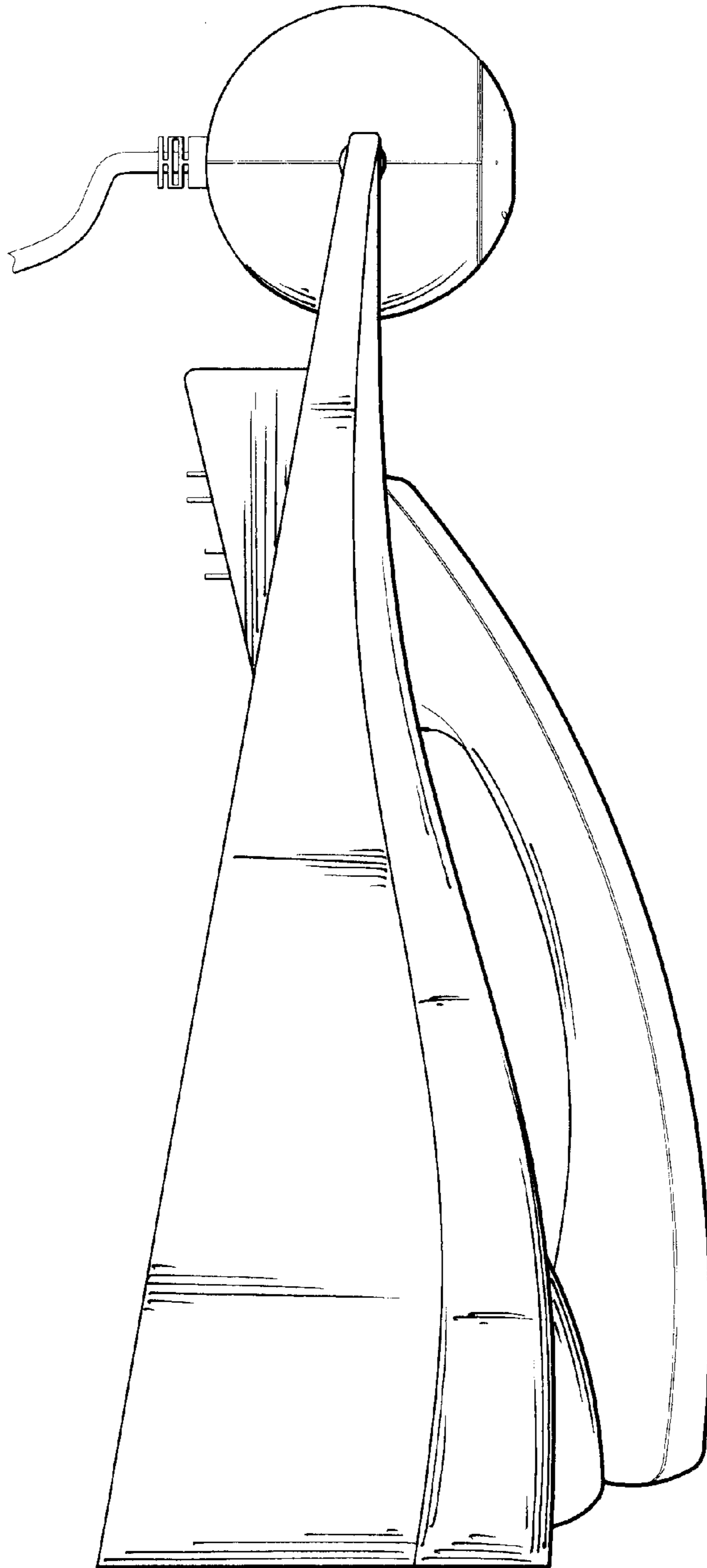


Fig.4

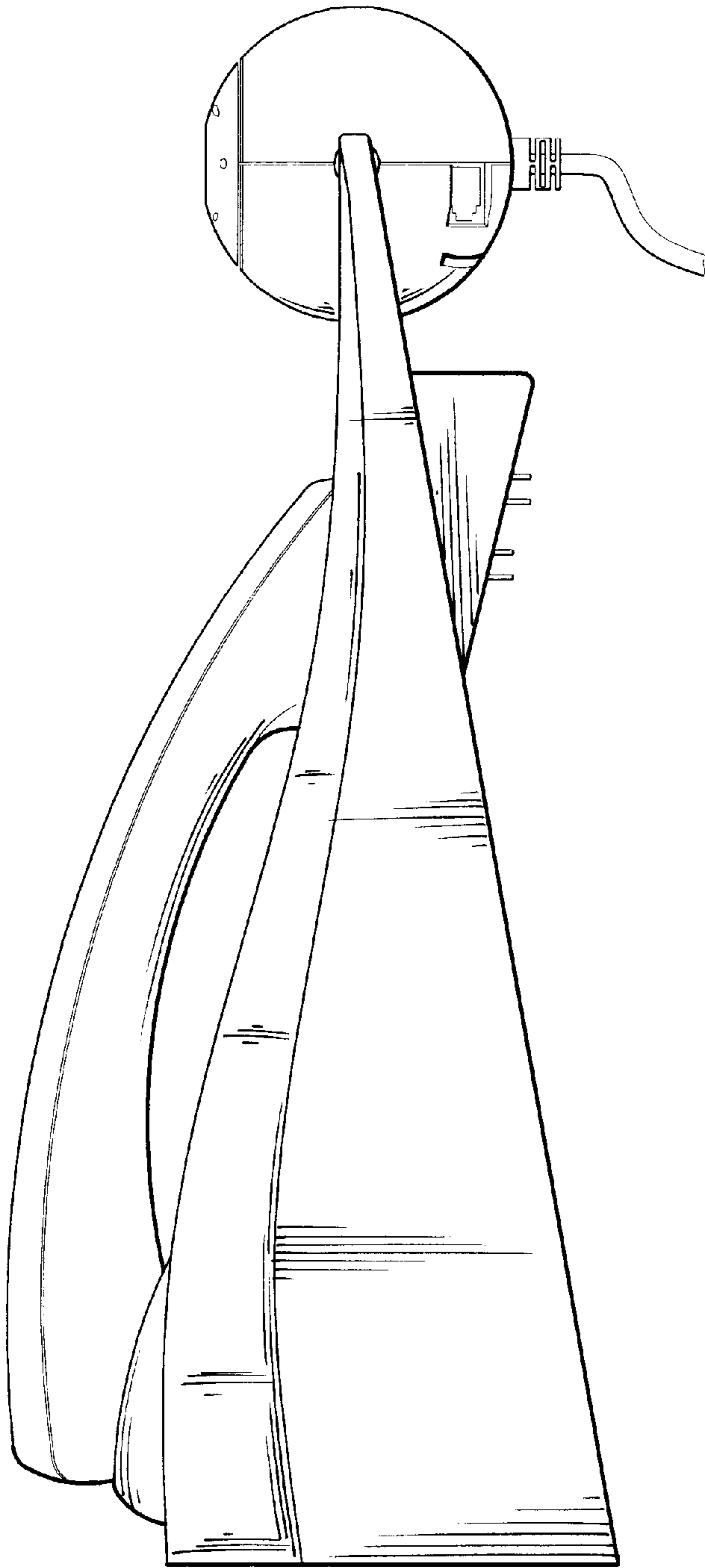


Fig.5

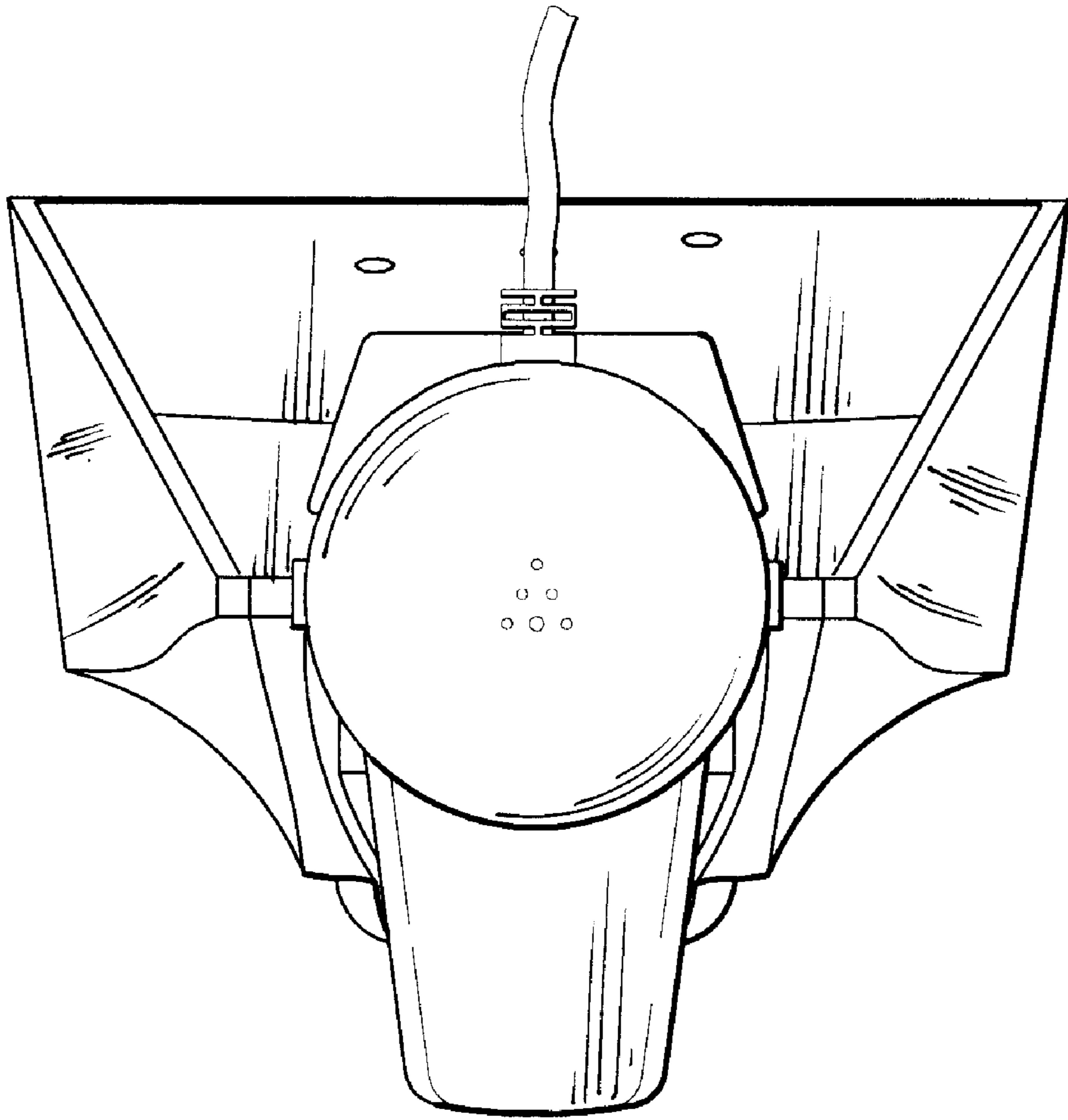


Fig.6

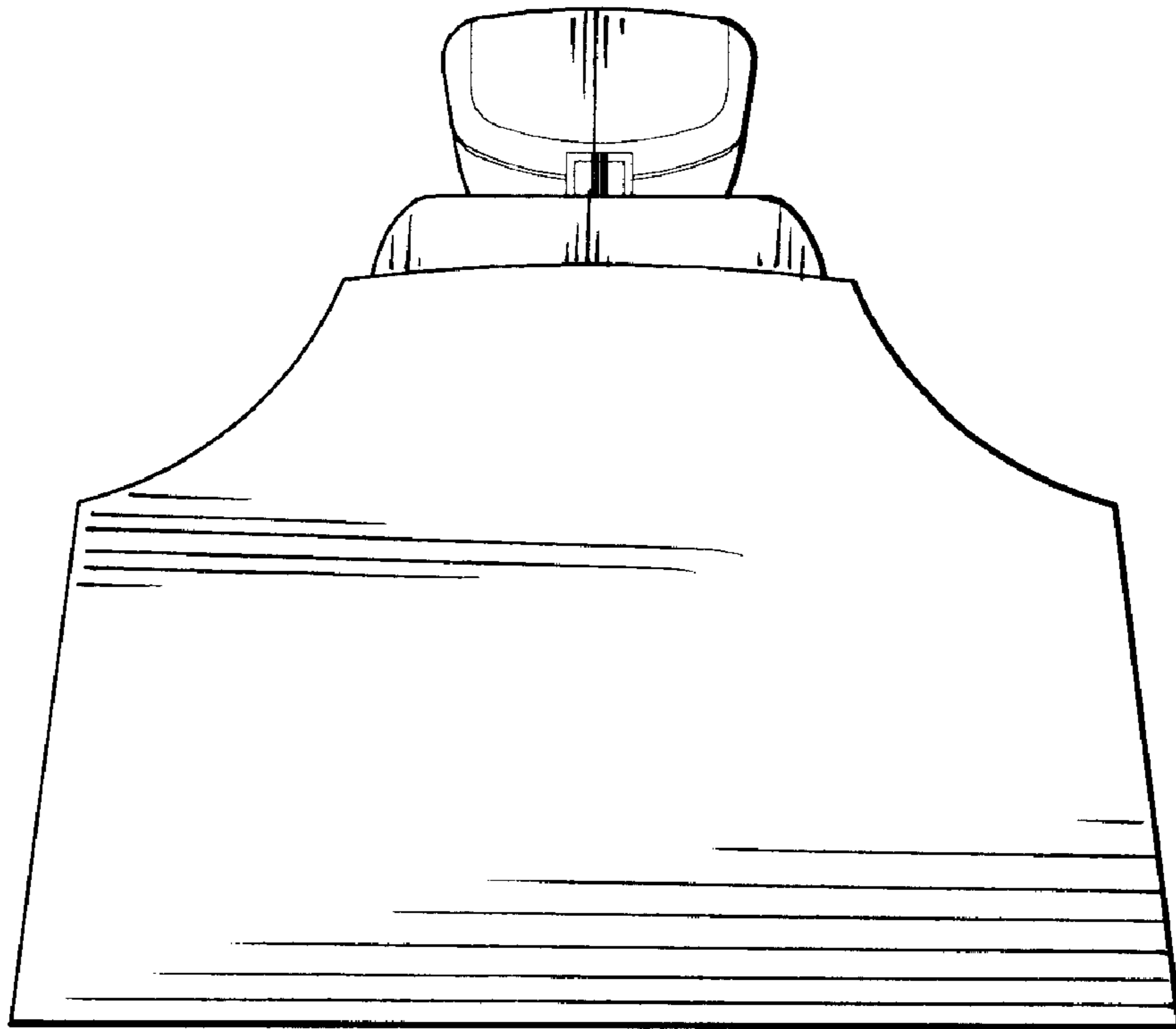


Fig.7