



US00D446233S

(12) **United States Design Patent**  
**Naito**

(10) **Patent No.:** **US D446,233 S**

(45) **Date of Patent:** **\*\* Aug. 7, 2001**

(54) **LENS SUPPORTING ARM**

(75) Inventor: **Yoshitaka Naito, Oume (JP)**

(73) Assignee: **Olympus Optical Co., Ltd., Tokyo (JP)**

(\*\*) Term: **14 Years**

(21) Appl. No.: **29/131,683**

(22) Filed: **Oct. 26, 2000**

(30) **Foreign Application Priority Data**

May 2, 2000 (JP) ..... 12-011824

(51) **LOC (7) Cl.** ..... **16-06**

(52) **U.S. Cl.** ..... **D16/136**

(58) **Field of Search** ..... D16/130, 134,  
D16/136, 202, 214, 219, 235, 245, 250,  
330; 352/243; 248/177.1, 298.1; 224/185,  
191, 242; 348/375, 360

(56) **References Cited**

**U.S. PATENT DOCUMENTS**

4,578,708 \* 3/1986 Munnion ..... 348/375  
5,332,136 \* 7/1994 Rudolph ..... 224/185  
6,019,326 \* 2/2000 Baerwolf et al. .... 248/177.1

\* cited by examiner

*Primary Examiner*—Paula A. Mortimer

(74) *Attorney, Agent, or Firm*—Hogan & Hartson, L.L.P.

(57) **CLAIM**

The ornamental design for a lens supporting arm, as shown and described.

**DESCRIPTION**

FIG. 1 is a front, top and left side perspective view of a lens supporting arm showing my new design;

FIG. 2 is a rear, bottom and right side perspective view thereof;

FIG. 3 is a front elevational view thereof;

FIG. 4 is a rear elevational view thereof;

FIG. 5 is a top plan view thereof;

FIG. 6 is a bottom plan view thereof;

FIG. 7 is a right side elevational view thereof;

FIG. 8 is a left side elevational view thereof; and,

FIG. 9 is a front, top and left side perspective view showing a state of use thereof.

The broken line showing of the camera in FIG. 9 is for illustrative purposes only and forms no part of the claimed design.

**1 Claim, 5 Drawing Sheets**

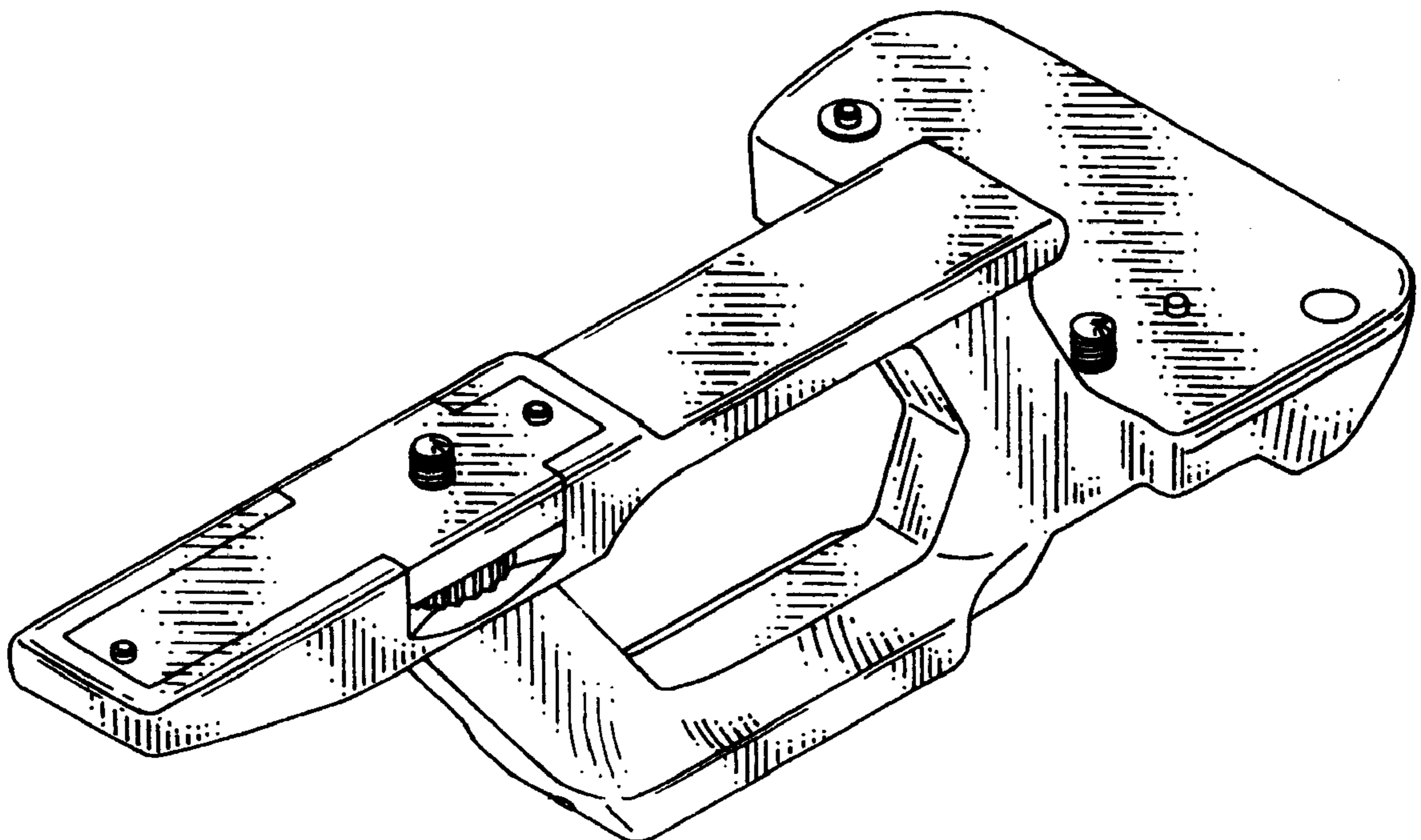


FIG. 1

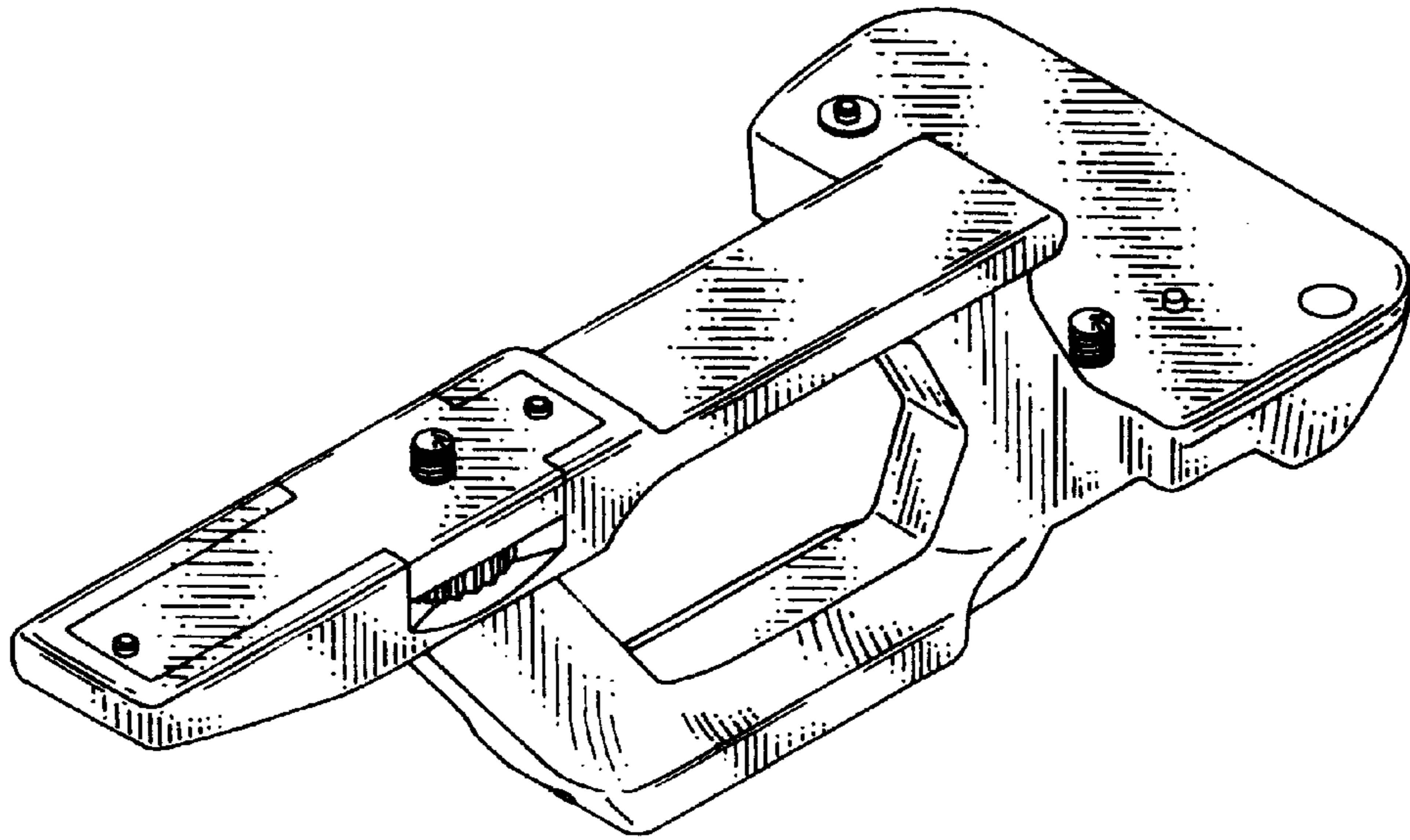


FIG. 2

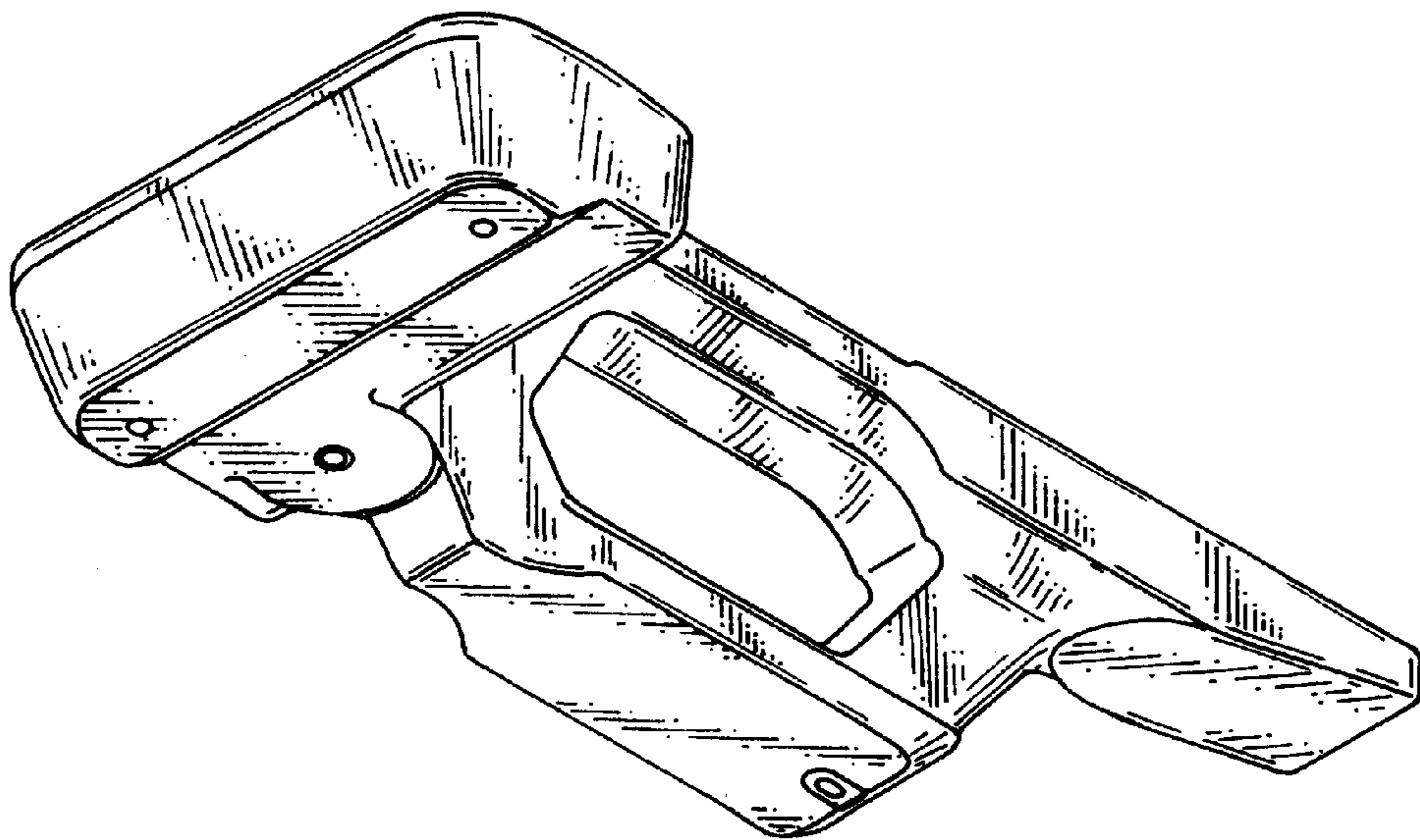


FIG. 3

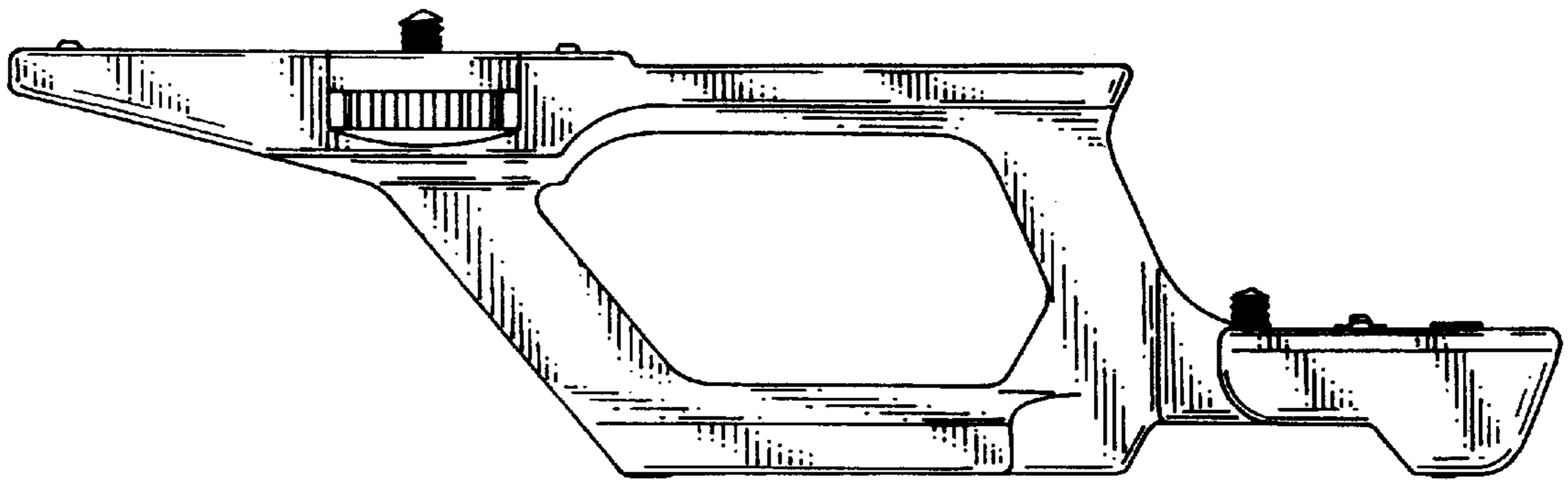


FIG. 4

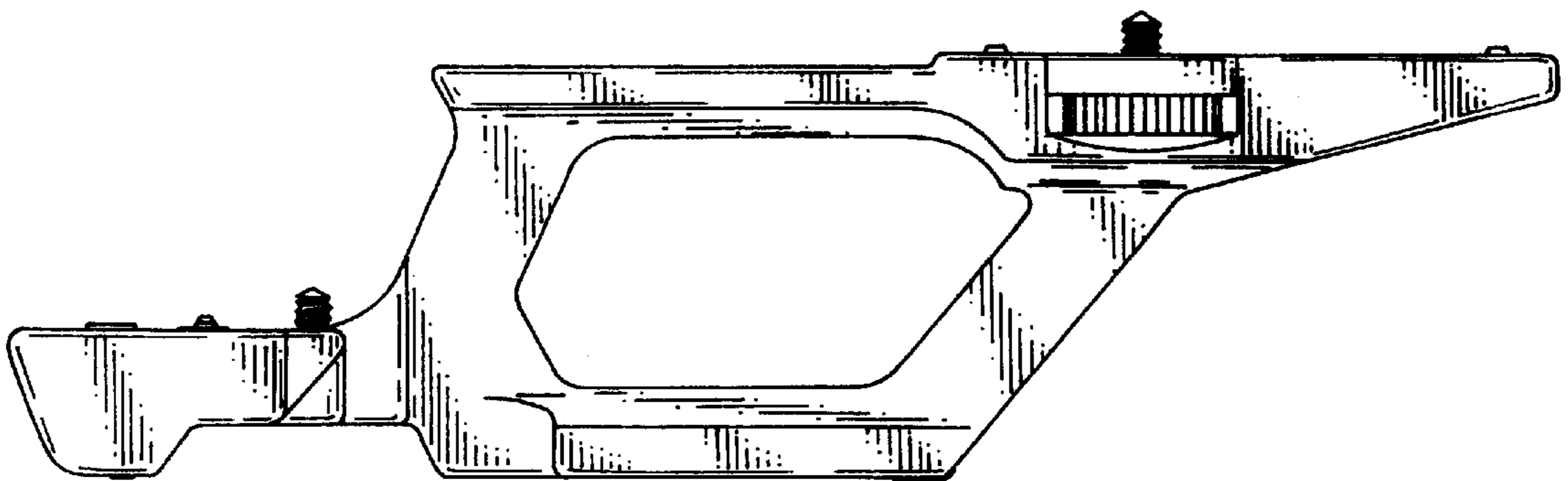


FIG. 5

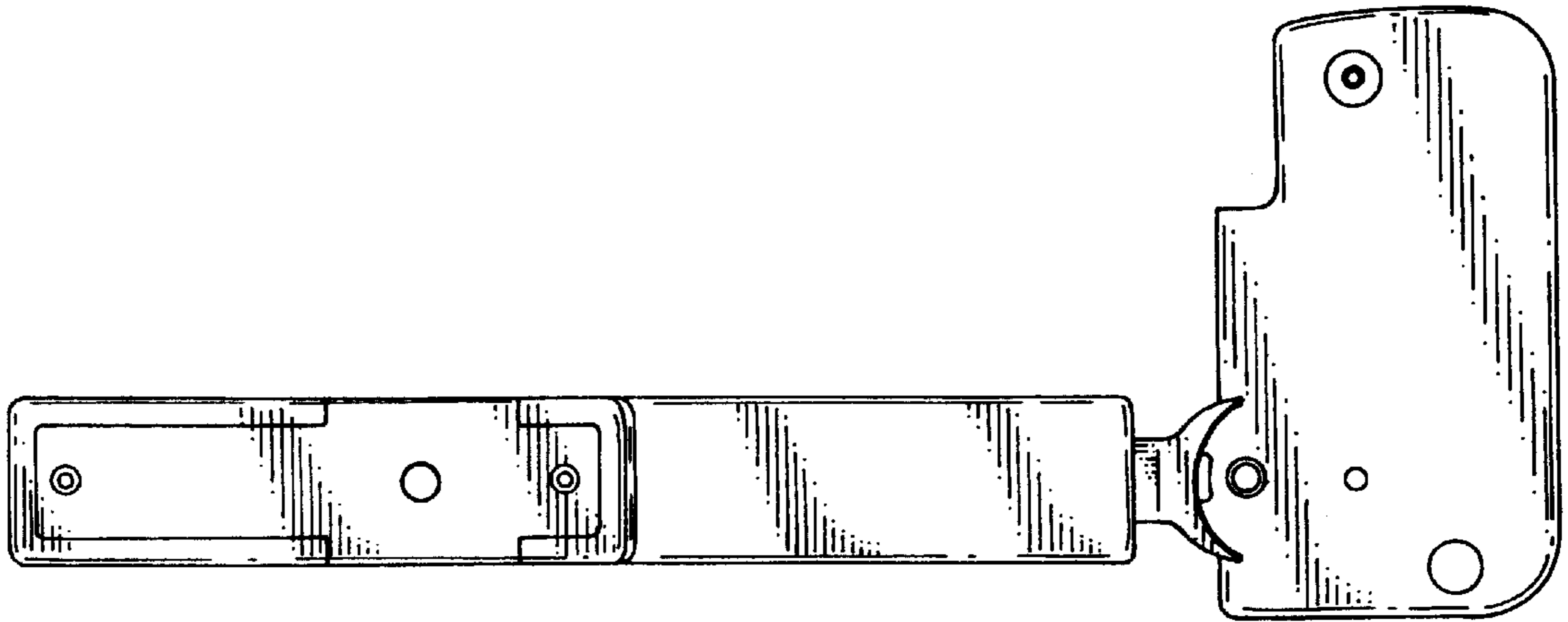


FIG. 6

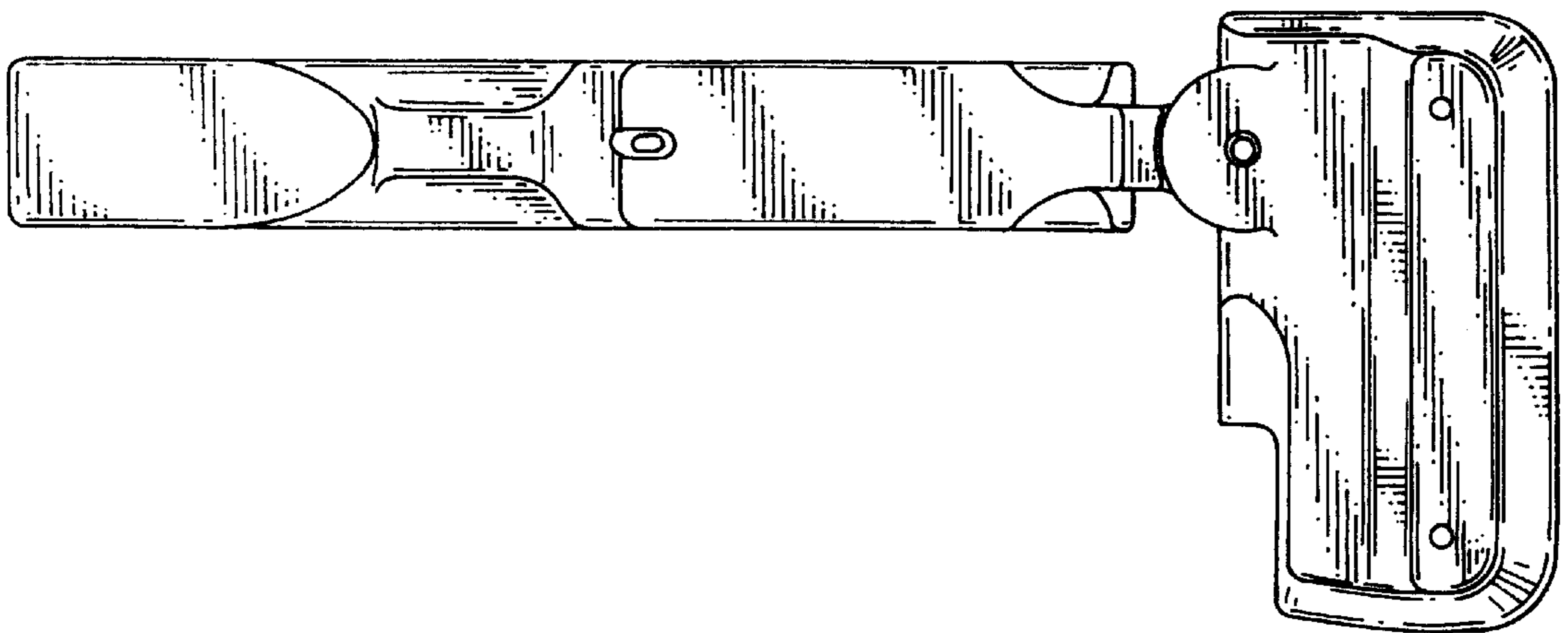


FIG. 7

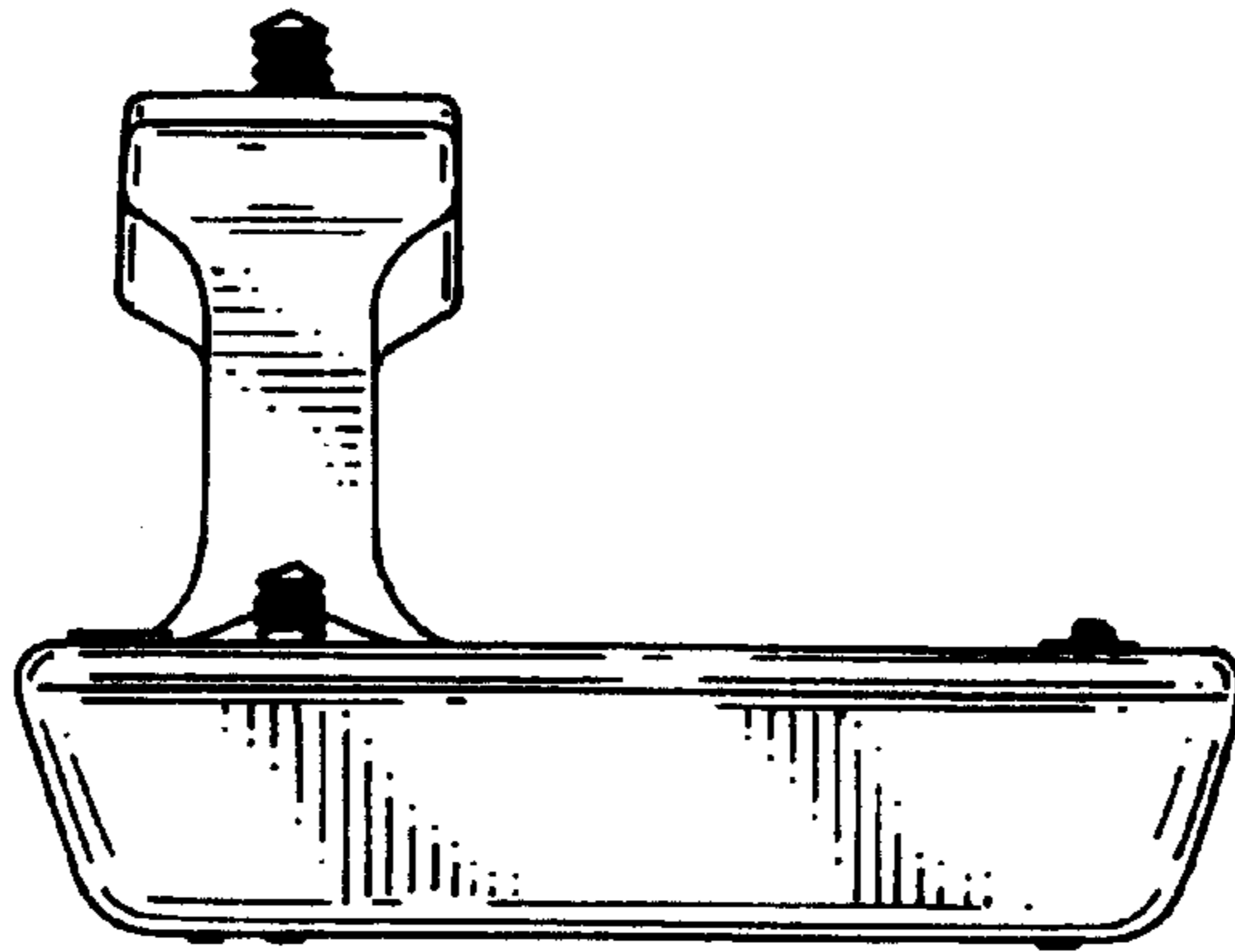


FIG. 8

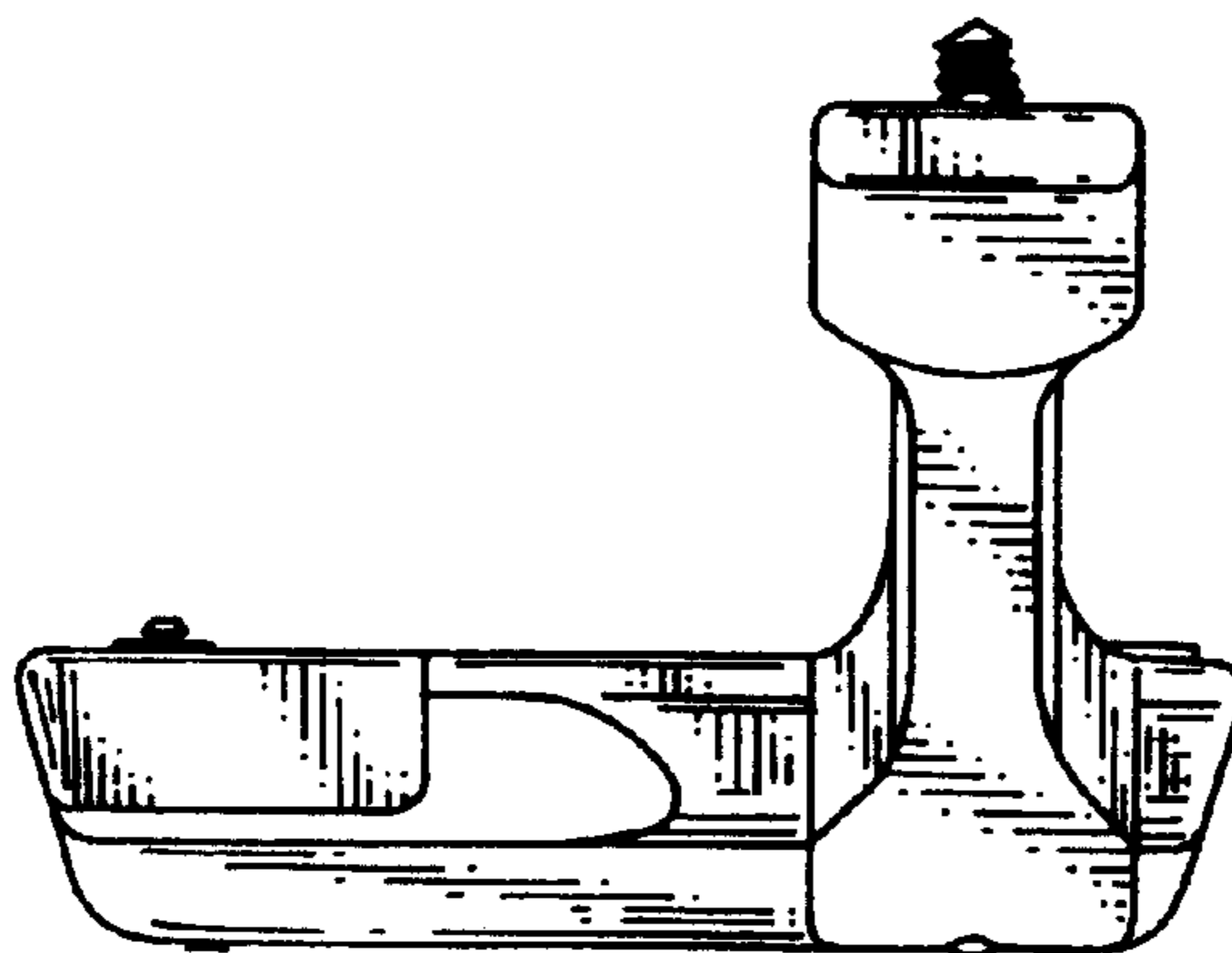


FIG. 9

