



US00D446232S

(12) **United States Design Patent**  
**Watanabe**

(10) **Patent No.:** **US D446,232 S**

(45) **Date of Patent:** **\*\* Aug. 7, 2001**

(54) **LENS FOR SINGLE-LENS REFLEX CAMERA**

(75) Inventor: **Akira Watanabe, Saitama (JP)**

(73) Assignee: **Asahi Kogaku Kogyo Kabushiki Kaisha, Tokyo (JP)**

(\*\*) Term: **14 Years**

(21) Appl. No.: **29/134,042**

(22) Filed: **Dec. 14, 2000**

(30) **Foreign Application Priority Data**

Jun. 27, 2000 (JP) ..... 12-017308

(51) **LOC (7) Cl.** ..... **16-06**

(52) **U.S. Cl.** ..... **D16/134**

(58) **Field of Search** ..... D16/134, 136,  
D16/219, 237; 359/703, 704, 811, 815,  
819, 826, 827, 828; 396/531, 530, 529

(56) **References Cited**

**U.S. PATENT DOCUMENTS**

- D. 302,984 \* 8/1989 Kimura et al. .... D16/134
- D. 303,976 \* 10/1989 Kimura et al. .... D16/134
- D. 338,479 \* 8/1993 Takahashi ..... D16/134
- D. 347,650 \* 6/1994 Takahashi ..... D16/134

- D. 390,857 \* 2/1998 Hayamizu ..... D16/134
- D. 416,926 \* 11/1999 Watanabe ..... D16/134
- D. 417,681 \* 12/1999 Hayashi ..... D16/134
- D. 425,088 \* 5/2000 Watanabe ..... D16/134
- D. 433,044 \* 10/2000 Hagaoka et al. .... D16/134

\* cited by examiner

*Primary Examiner*—Paula A. Mortimer

(74) *Attorney, Agent, or Firm*—Sughrue, Mion, Zinn, Macpeak & Seas, PLLC

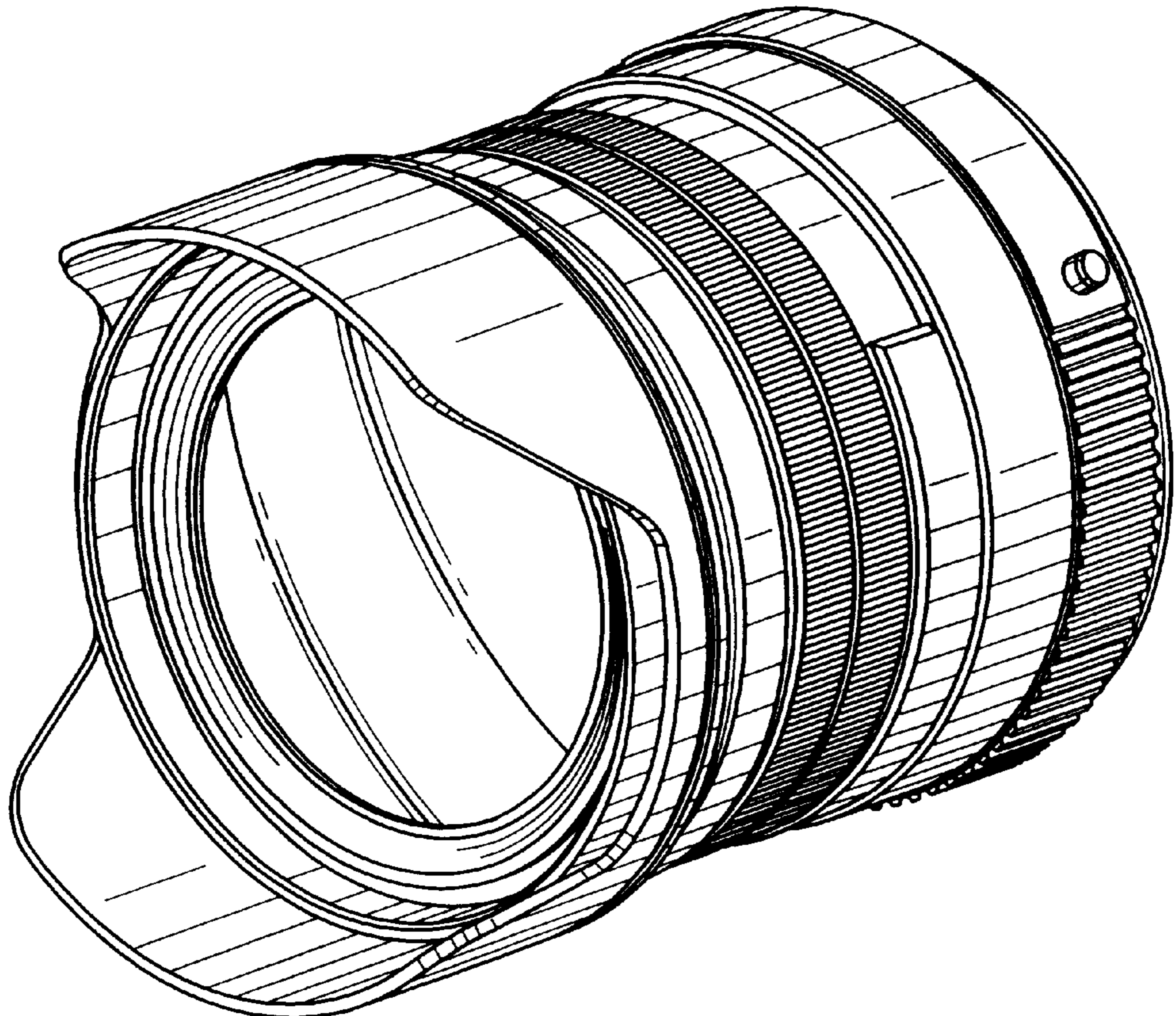
(57) **CLAIM**

The ornamental design for a lens for single-lens reflex camera, as shown.

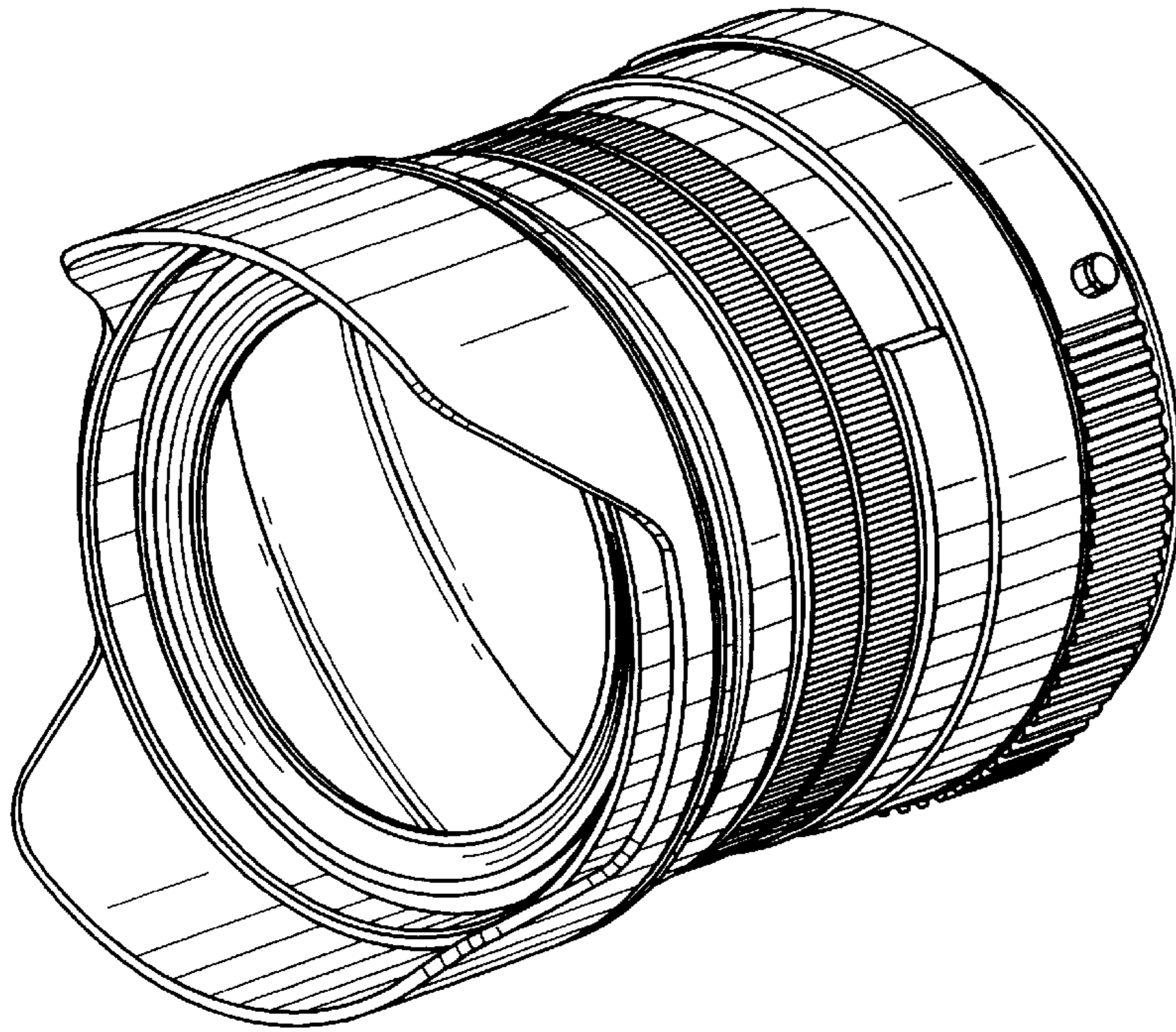
**DESCRIPTION**

FIG. 1 is a perspective view of top, front and one side of a lens for single-lens reflex camera showing my new design; FIG. 2 is a front elevational view thereof; FIG. 3 is a rear elevational view thereof; FIG. 4 is a top plan view thereof; FIG. 5 is a bottom plan view thereof; FIG. 6 is a side elevational view of said one side thereof; and, FIG. 7 is a side elevational view of an opposite side thereof.

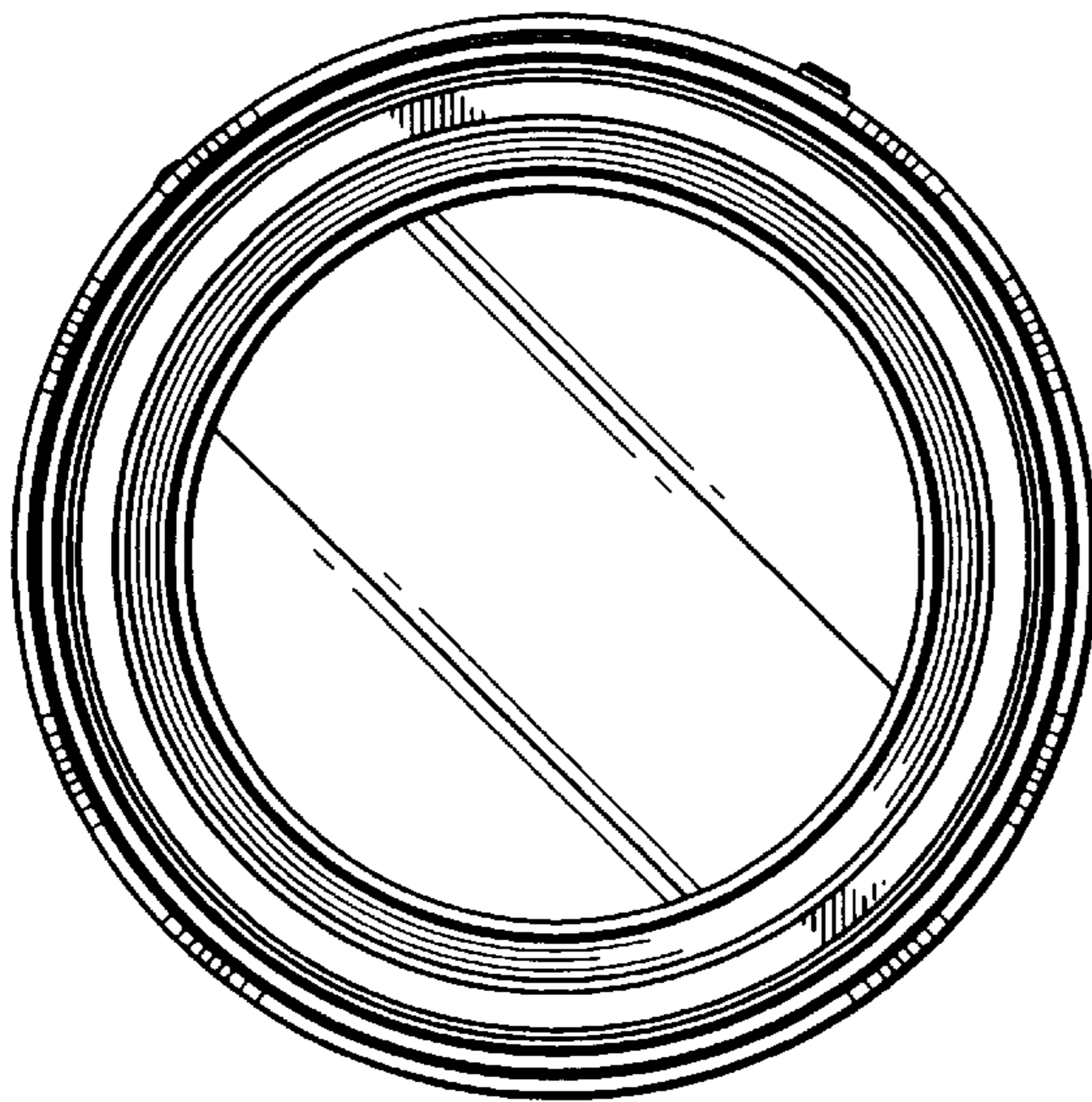
**1 Claim, 3 Drawing Sheets**



*FIG. 1*



*FIG. 2*



*FIG. 3*

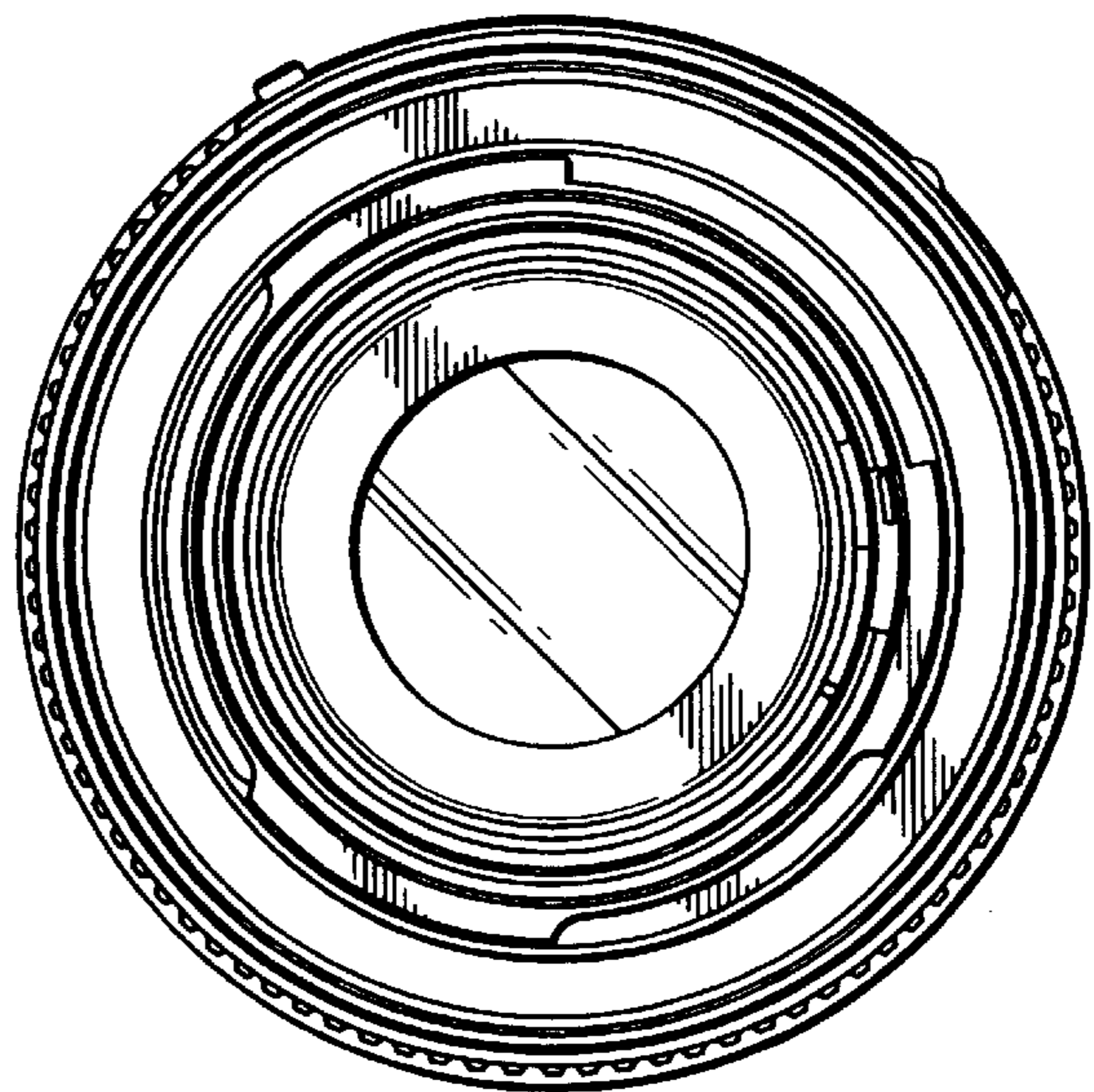


FIG. 5

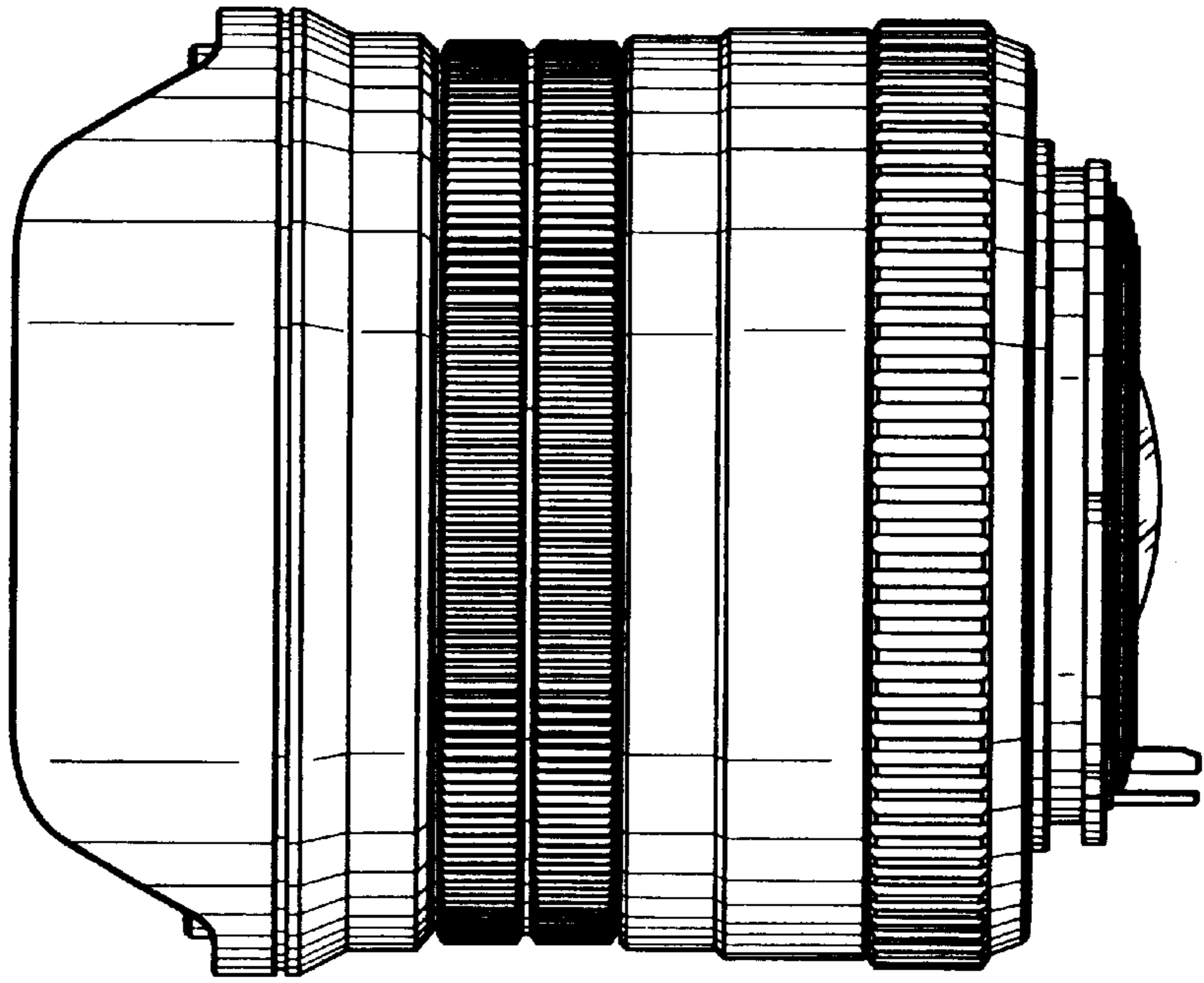
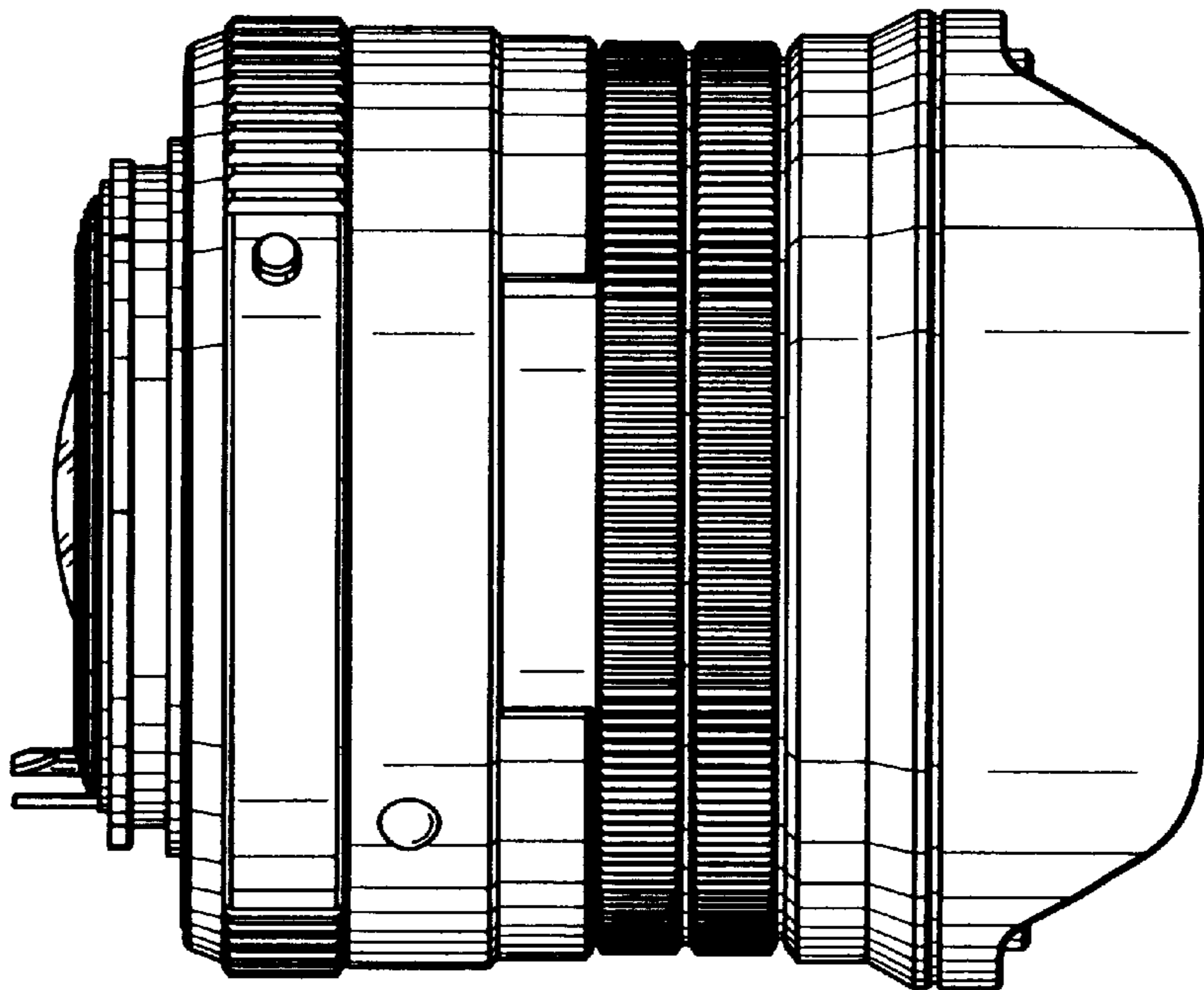
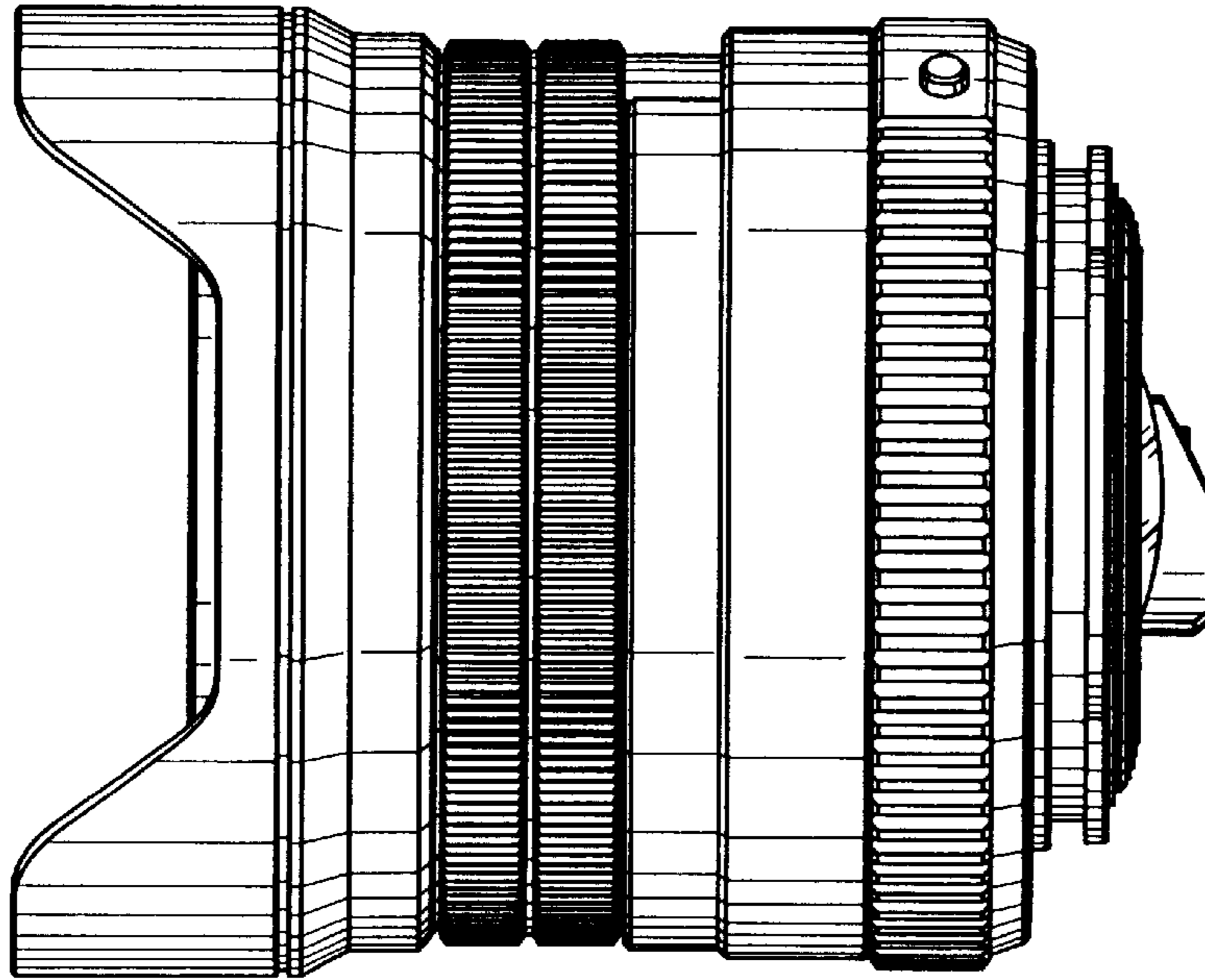


FIG. 4



*FIG. 6*



*FIG. 7*

