



US00D446231S

(12) **United States Design Patent**
Kuraoka et al.

(10) **Patent No.:** **US D446,231 S**

(45) **Date of Patent:** **** Aug. 7, 2001**

(54) **NOZZLE FOR A PLASMA ARC TORCH**

6,169,264 * 1/2001 Marhic 219/121.5

(75) Inventors: **Kazuhiro Kuraoka; Yoshihiro Yamaguchi**, both of **Komatsu (JP)**

* cited by examiner

Primary Examiner—Antoine Duval Davis

(73) Assignee: **Komatsu Industries Corporation**, Tokyo (JP)

(74) *Attorney, Agent, or Firm*—Kanesaka & Takeuchi

(**) Term: **14 Years**

(57) **CLAIM**

The ornamental design for a nozzle for a plasma arc torch, as shown and described.

(21) Appl. No.: **29/128,161**

DESCRIPTION

(22) Filed: **Aug. 21, 2000**

(51) **LOC (7) Cl.** **15-09**

(52) **U.S. Cl.** **D15/144**

(58) **Field of Search** D15/144, 144.1, D15/144.2; 219/121.5–121.52

FIG. 1 is a top plan view of a nozzle for a plasma arc torch showing our new design, the bottom plan view being identical to the top plan view;

FIG. 2 is a front view thereof, the rear view being symmetrical to the front view;

FIG. 3 is a right side view thereof;

FIG. 4 is a left side view thereof; and,

FIG. 5 is a cross sectional view taken along line 5—5 in FIG. 2.

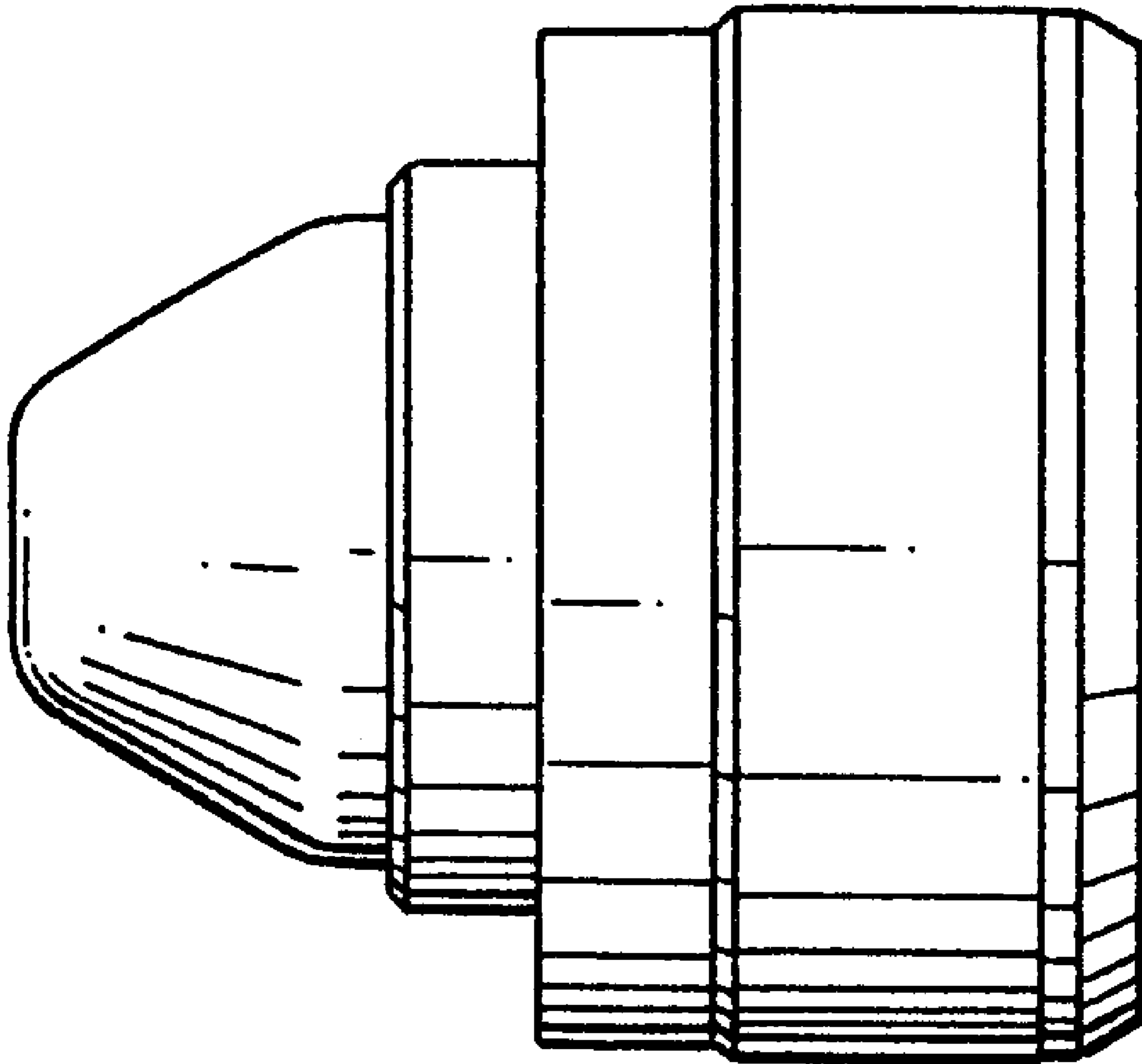
(56) **References Cited**

U.S. PATENT DOCUMENTS

D. 359,058 * 6/1995 Clarkhuff D15/144

D. 407,726 * 4/1999 Zigliotto D15/144

1 Claim, 3 Drawing Sheets



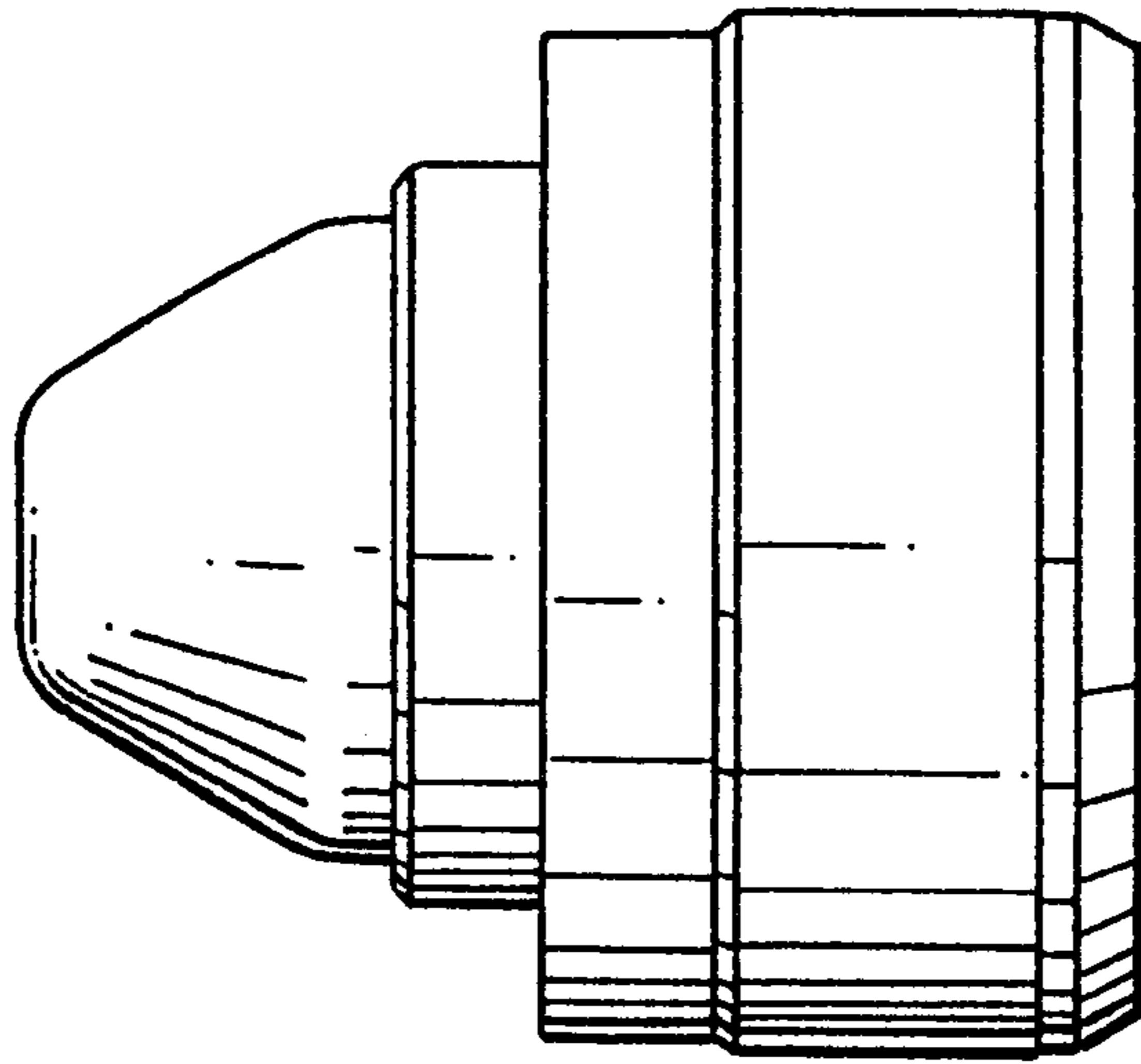


FIG. 1

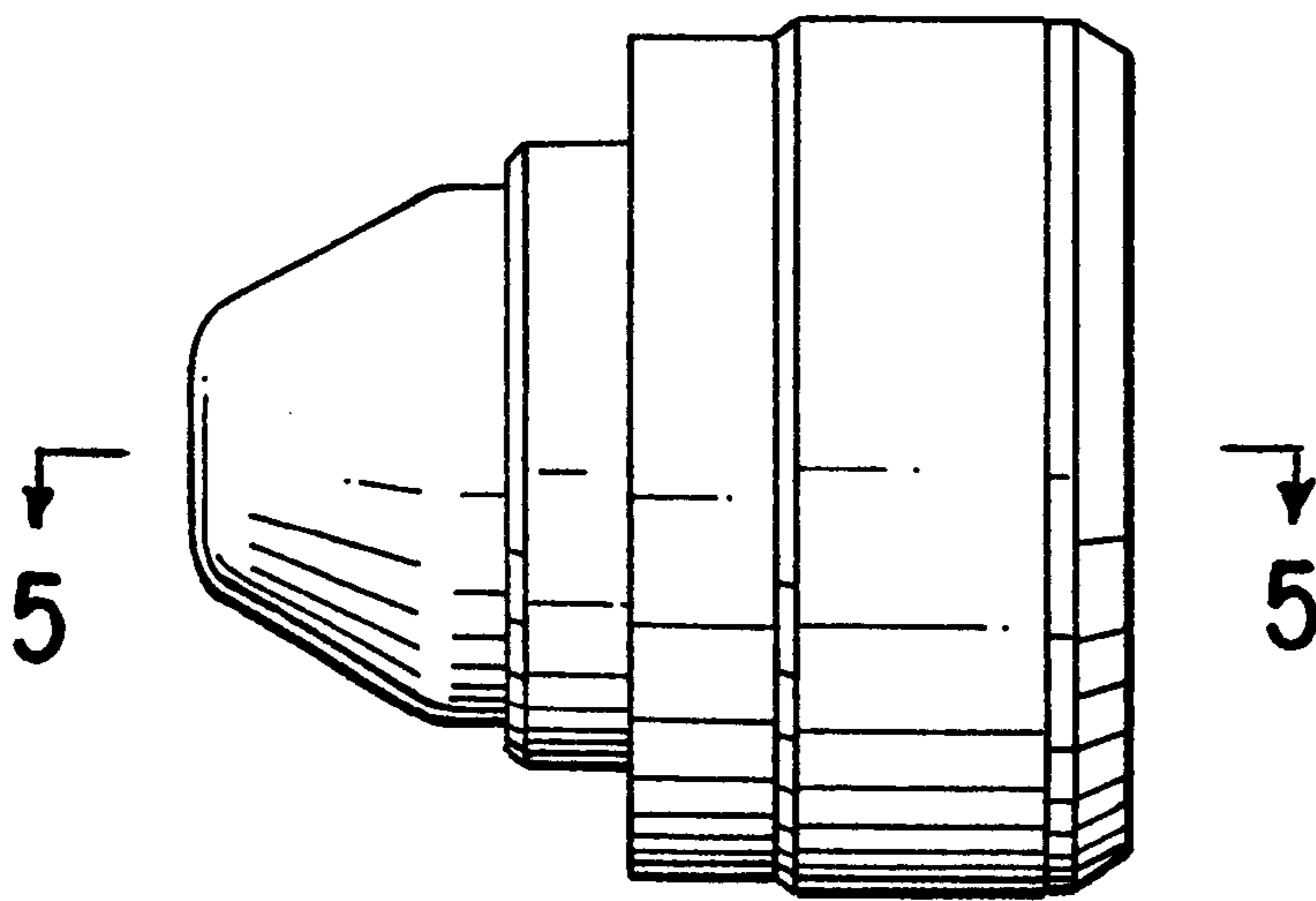


FIG. 2

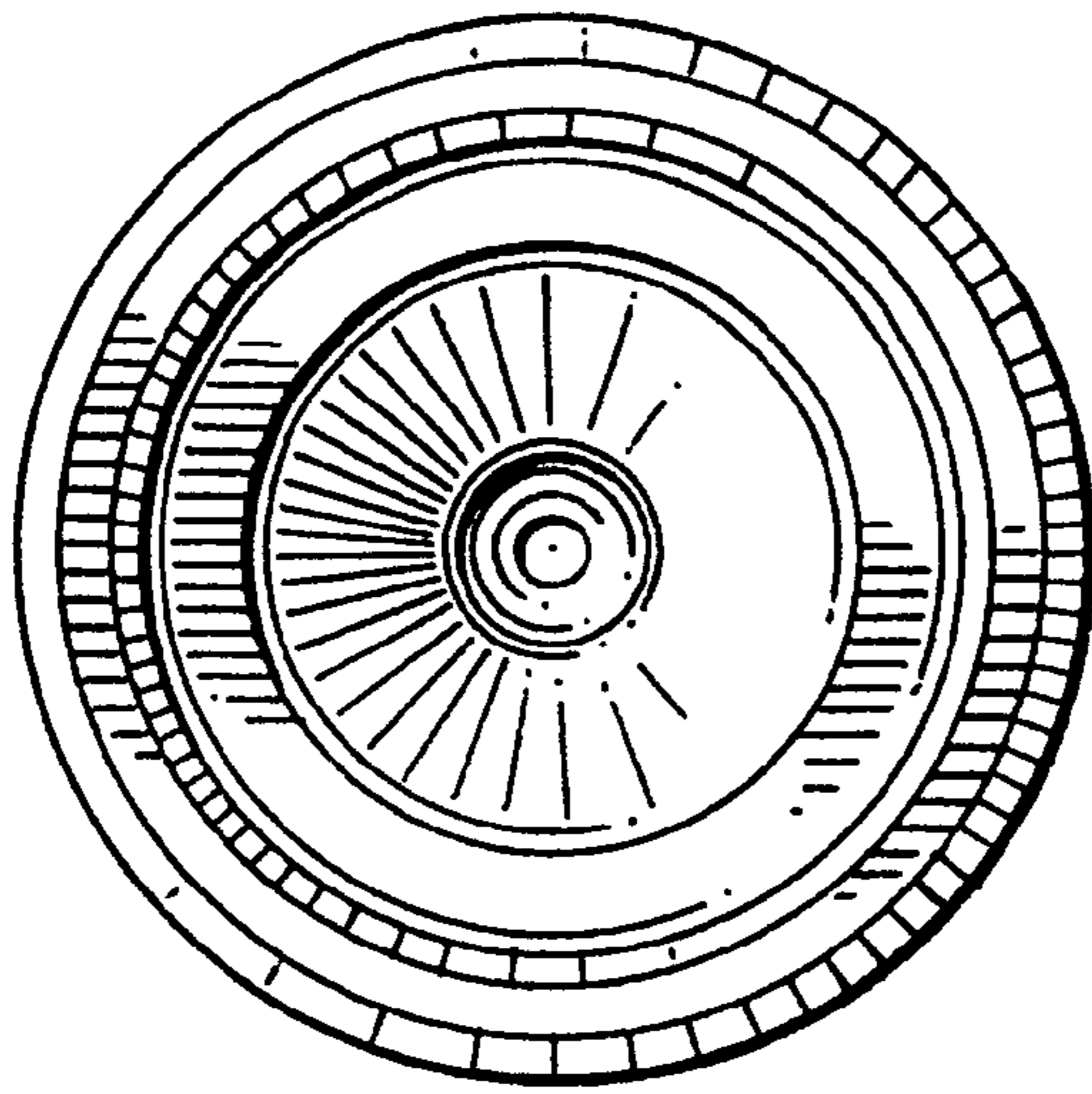


FIG. 3

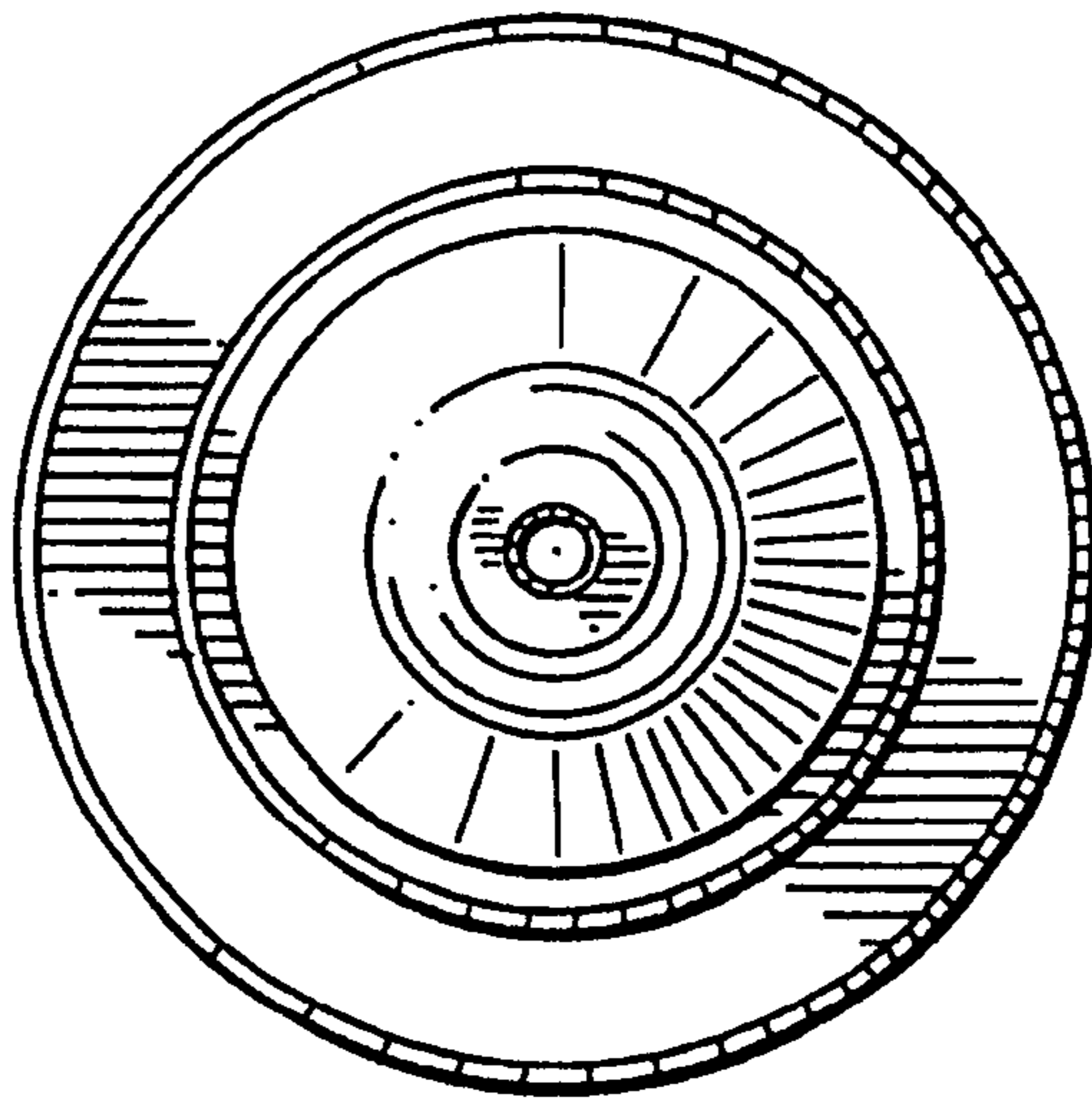


FIG. 4

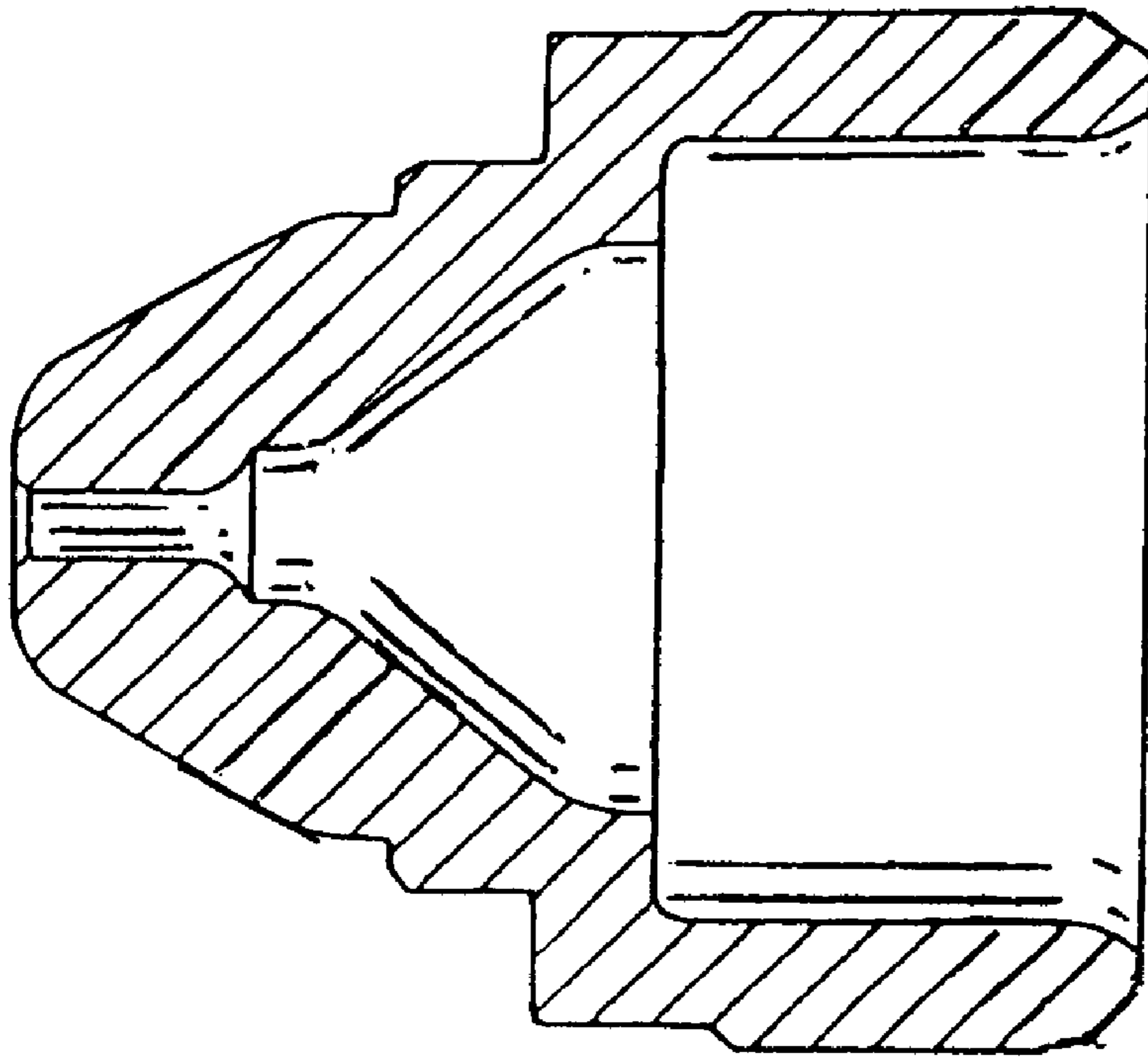


FIG. 5