



US00D446230S

(12) **United States Design Patent**
Olsson

(10) **Patent No.:** **US D446,230 S**

(45) **Date of Patent:** **** Aug. 7, 2001**

(54) **BEARING HOUSING**

(75) **Inventor:** **Henrik Olsson, Katrineholm (SE)**

(73) **Assignee:** **SKF Mekan AB, Katrineholm (SE)**

(**) **Term:** **14 Years**

(21) **Appl. No.:** **29/134,308**

(22) **Filed:** **Dec. 20, 2000**

(30) **Foreign Application Priority Data**

Jun. 30, 2000 (SE) 00-1179

(51) **LOC (7) Cl.** **15-09**

(52) **U.S. Cl.** **D15/143**

(58) **Field of Search** D15/143; 384/412,
384/428, 537

(56) **References Cited**

U.S. PATENT DOCUMENTS

D. 427,217 * 6/2000 Ostling D15/143

D. 440,581 * 4/2001 Sherman, II et al. D15/143

6,033,119 * 3/2000 Becker et al. 384/428

* cited by examiner

Primary Examiner—Antoine Duval Davis

(74) *Attorney, Agent, or Firm*—Burns, Doane, Swecker & Mathis, L.L.P.

(57) **CLAIM**

The ornamental design for a bearing housing, as shown and described.

DESCRIPTION

FIG. 1. is a perspective view showing the bearing housing, obliquely from above, from the right hand side and from the front thereof;

FIG. 2. is a planar view showing the bearing housing in a front view;

FIG. 3. is a planar view showing the bearing housing in a rear side view;

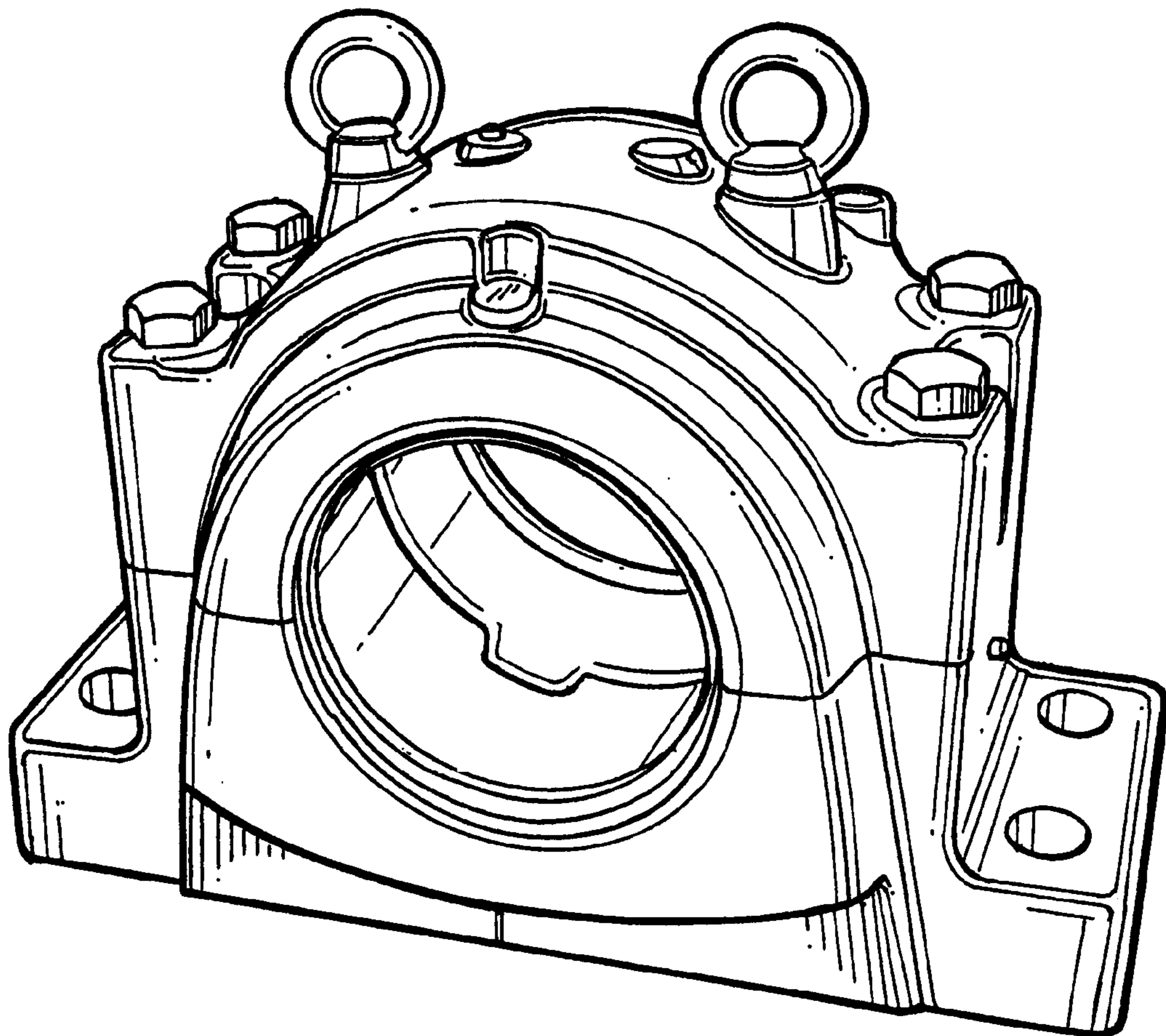
FIG. 4. is a planar top view of the bearing housing;

FIG. 5. is a left hand side view of the bearing housing;

FIG. 6. is a right hand side view of the bearing housing; and,

FIG. 7. is a bottom view of the bearing housing.

1 Claim, 4 Drawing Sheets



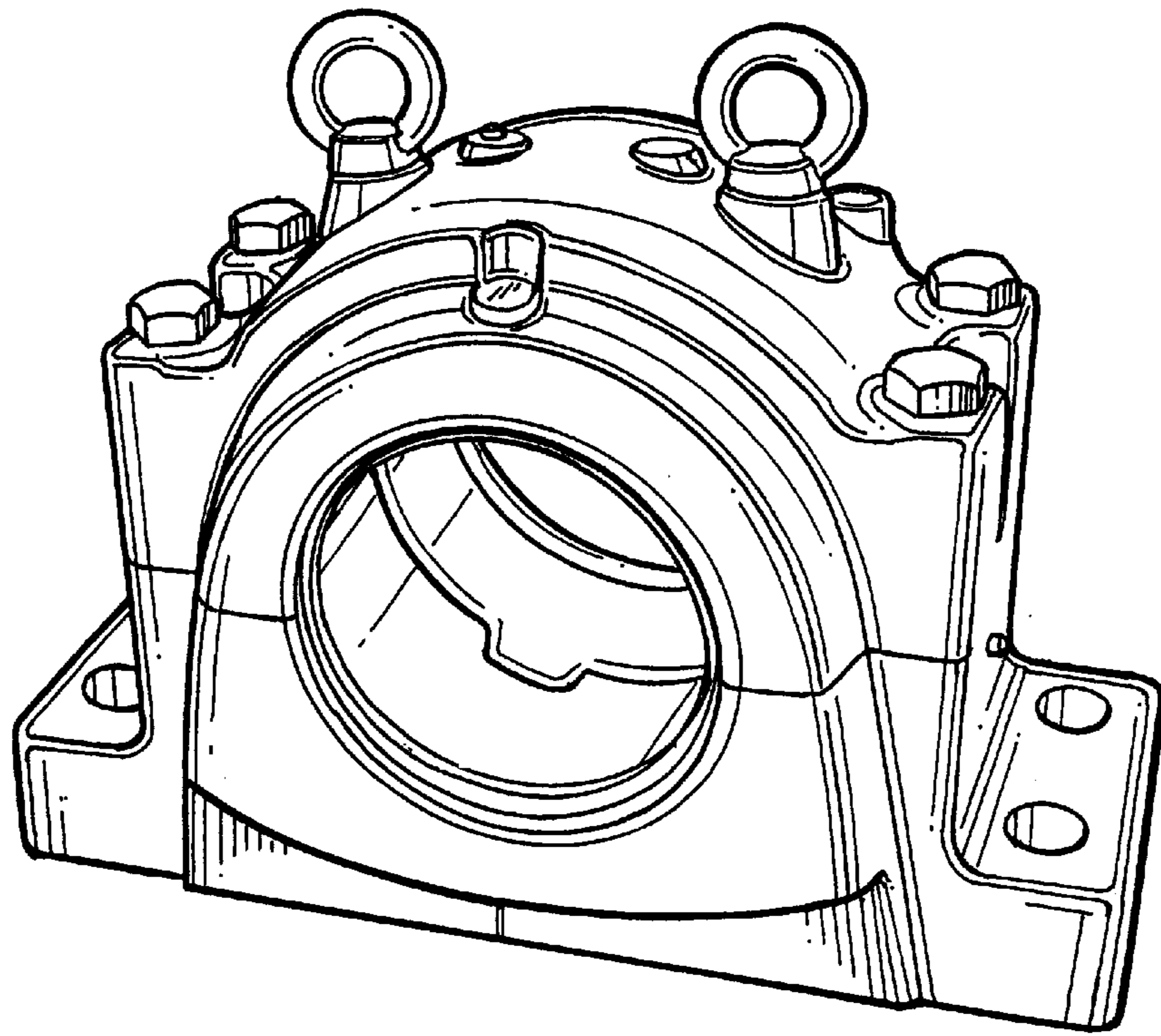


FIG. 1

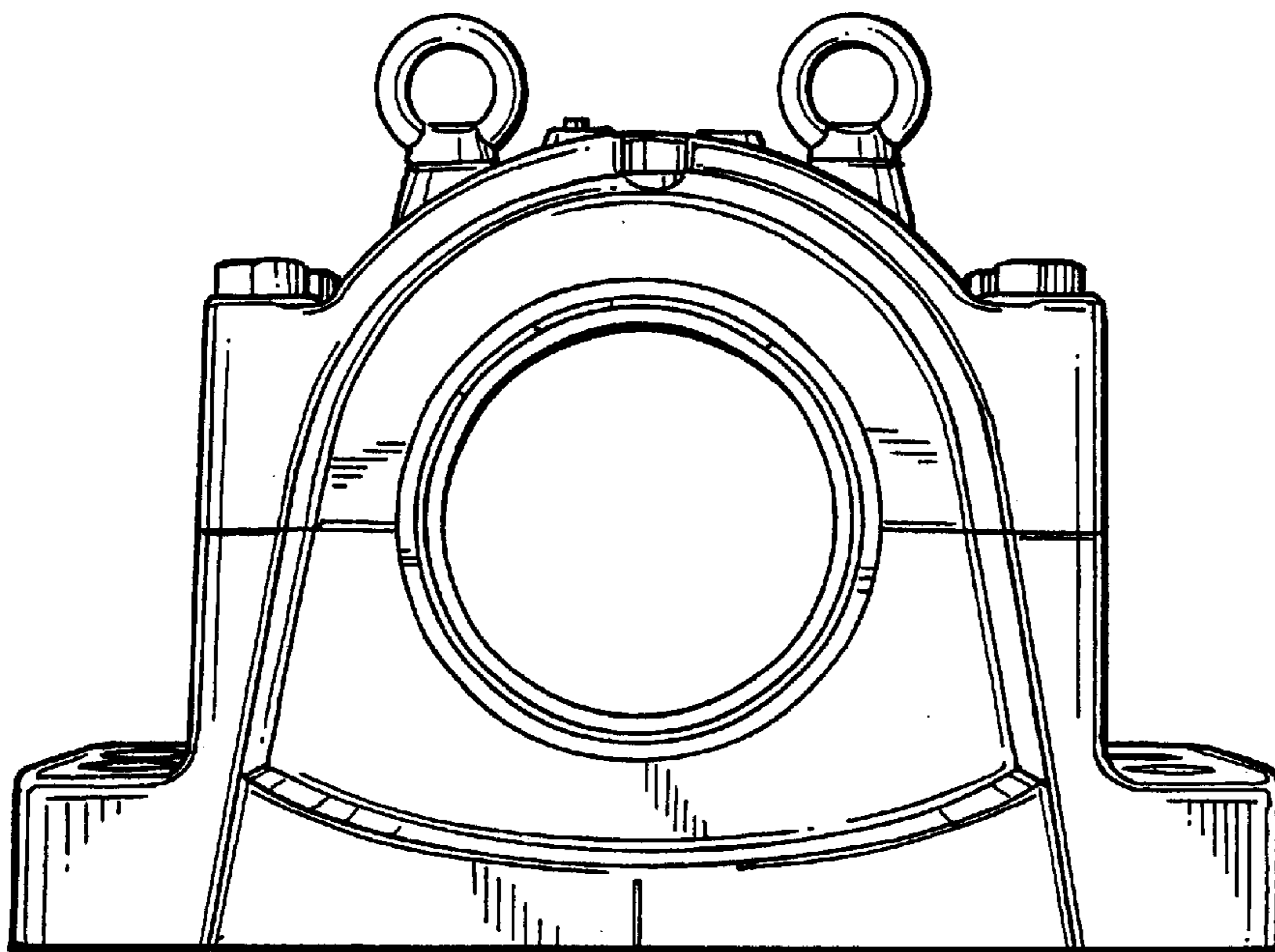


FIG. 2

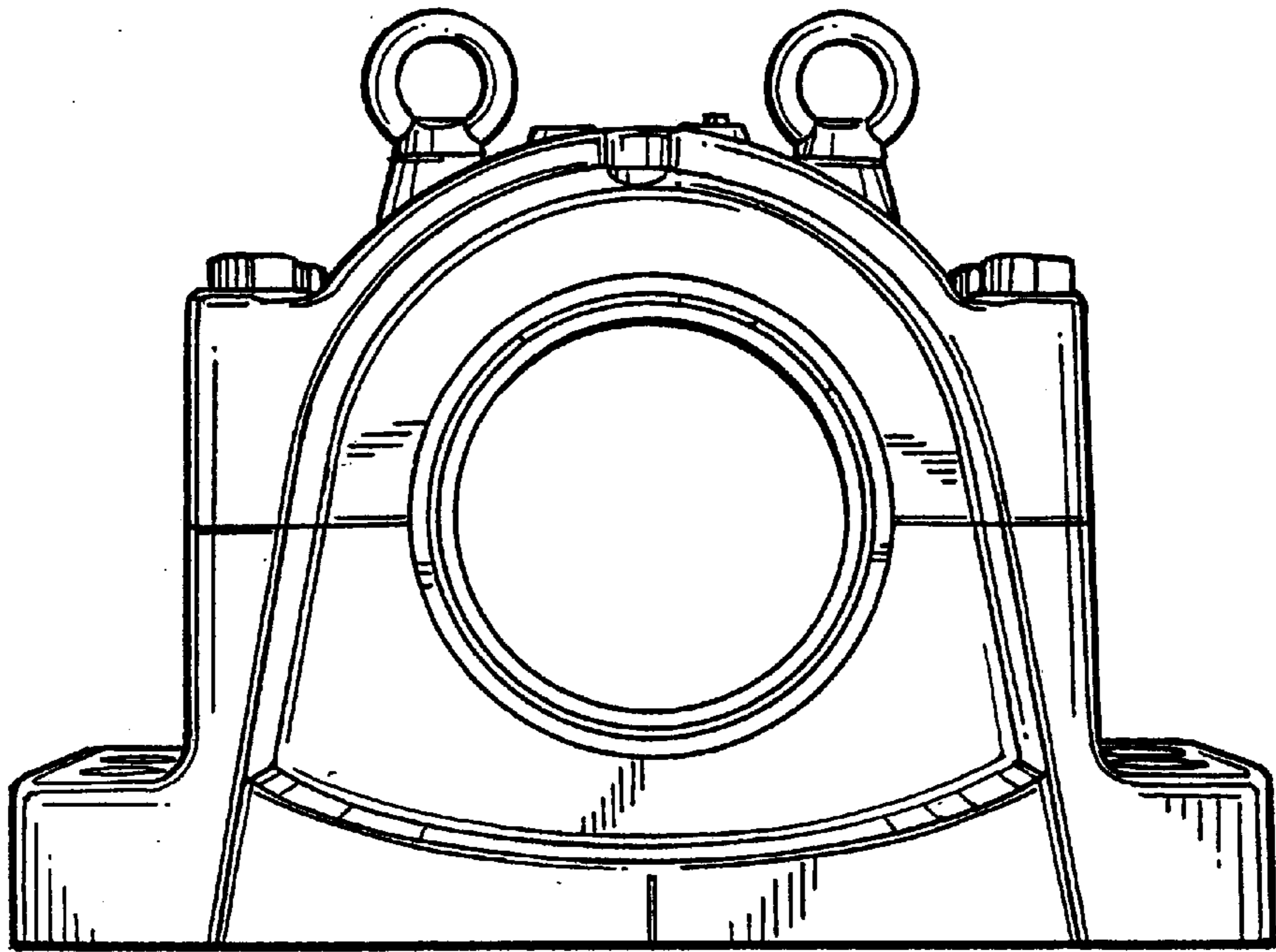


FIG. 3

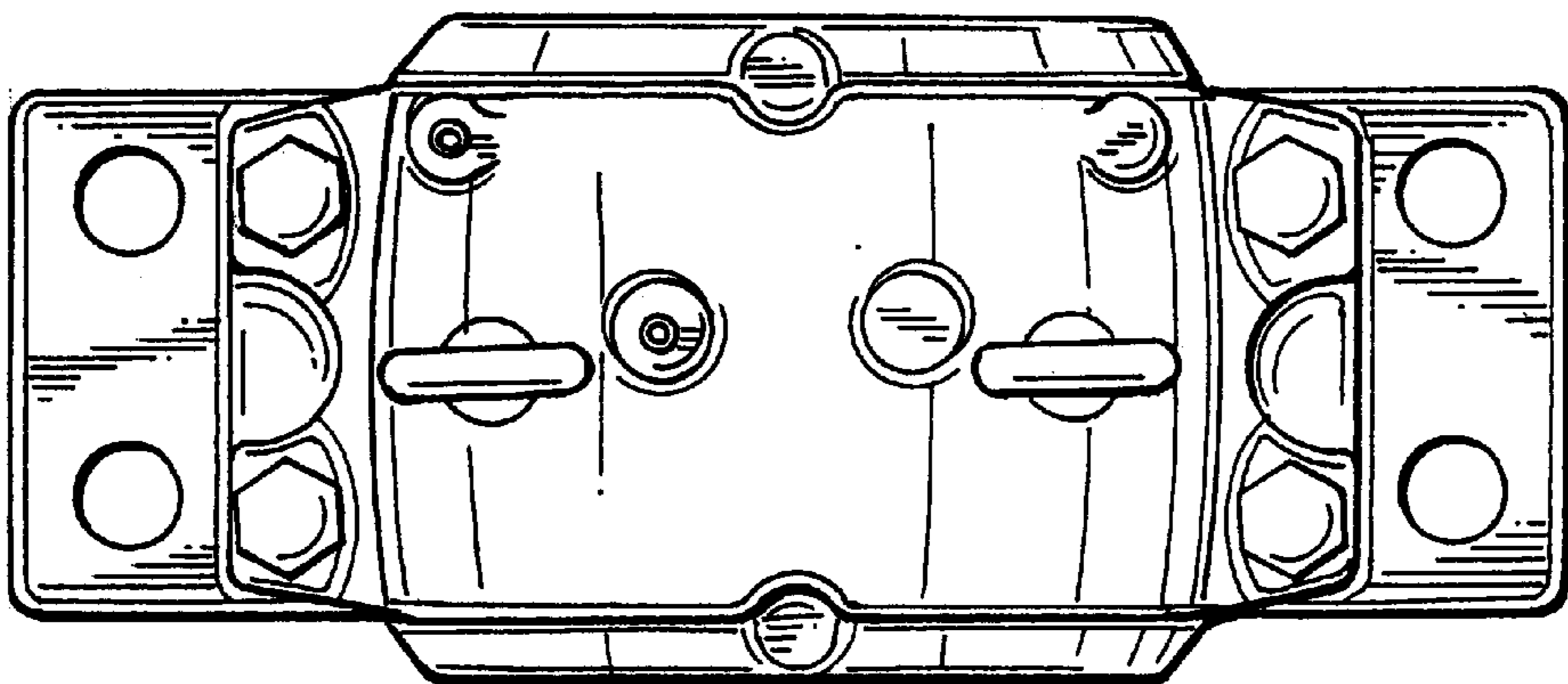


FIG. 4

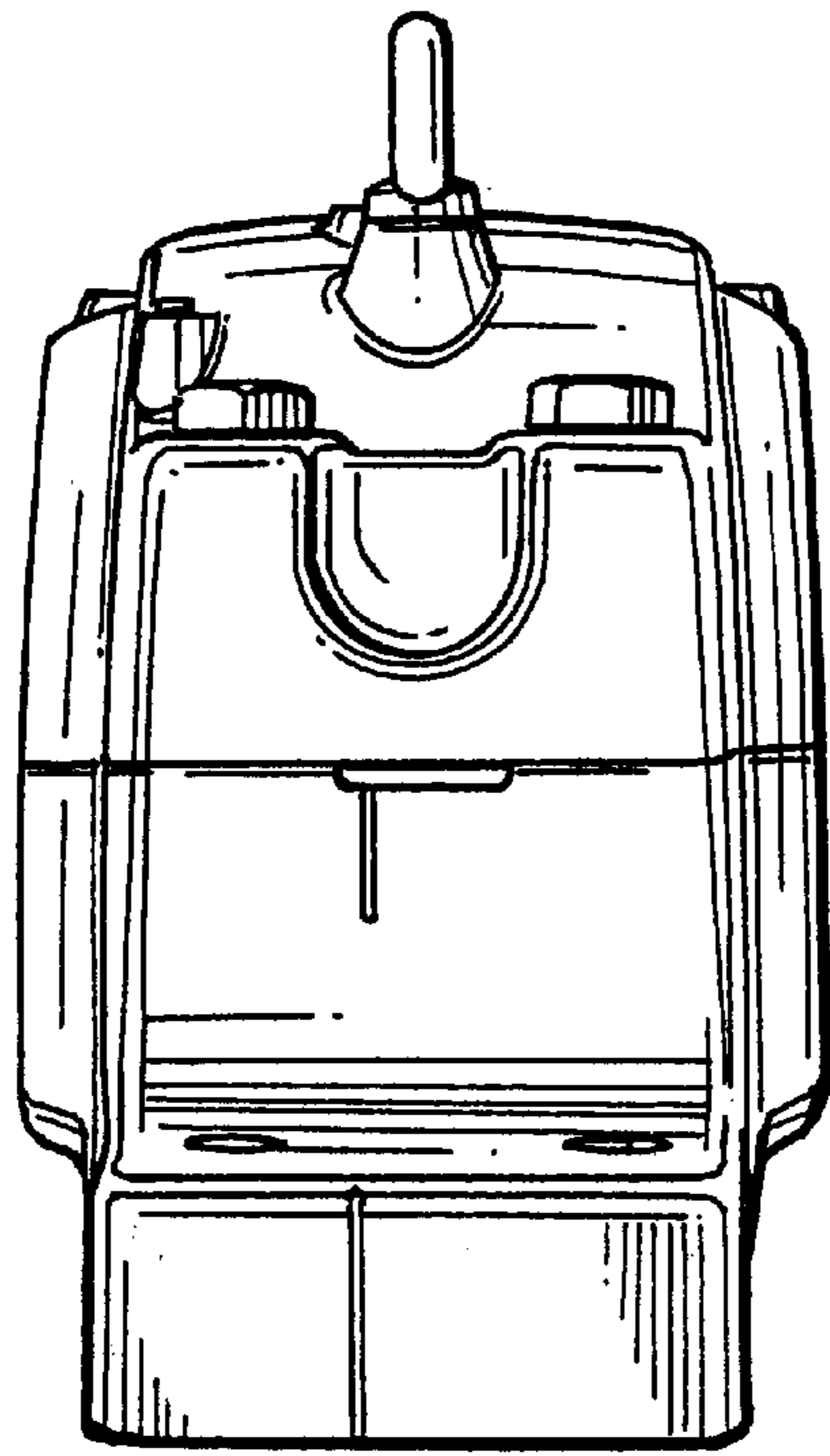


FIG. 5

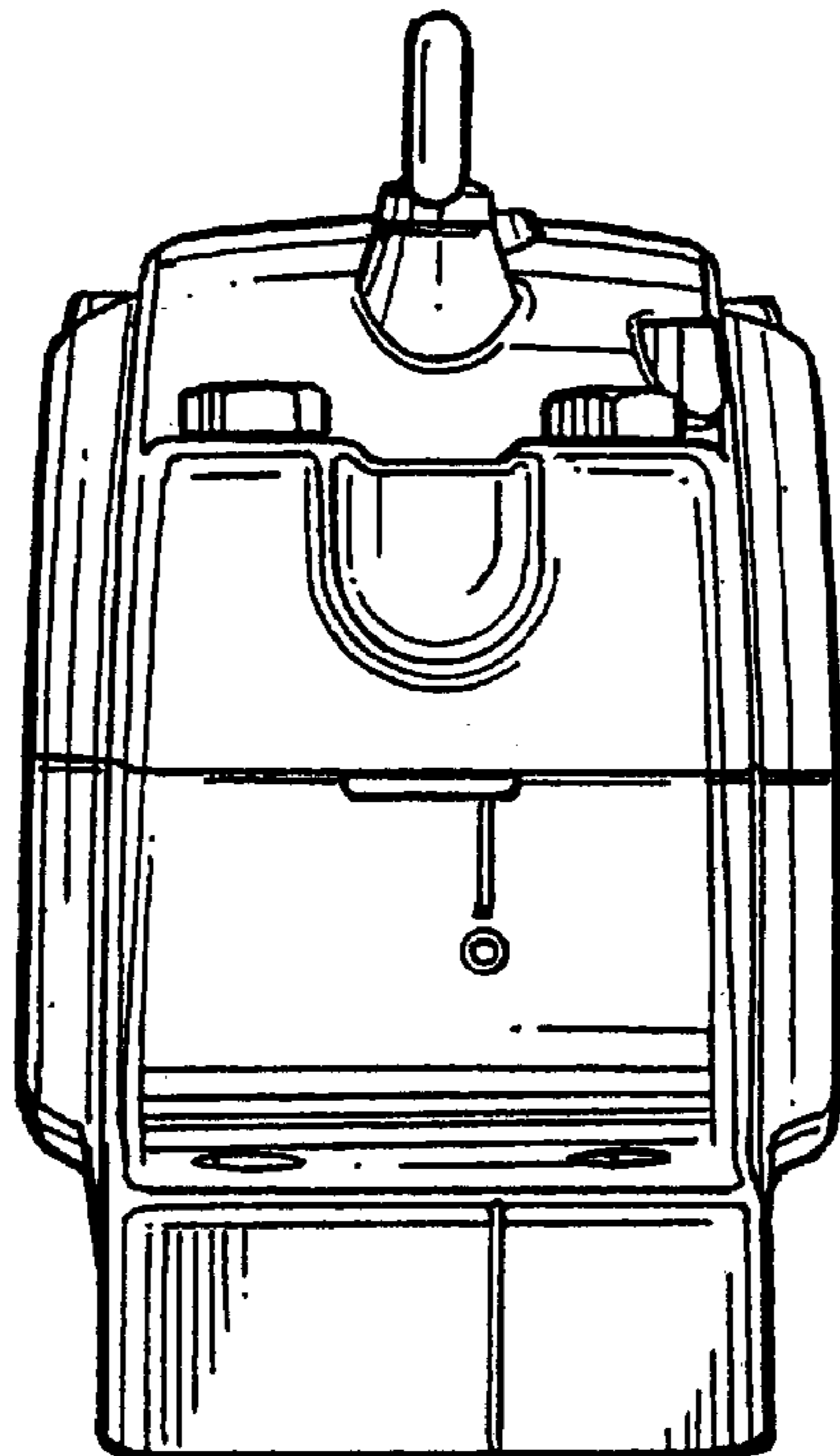


FIG. 6

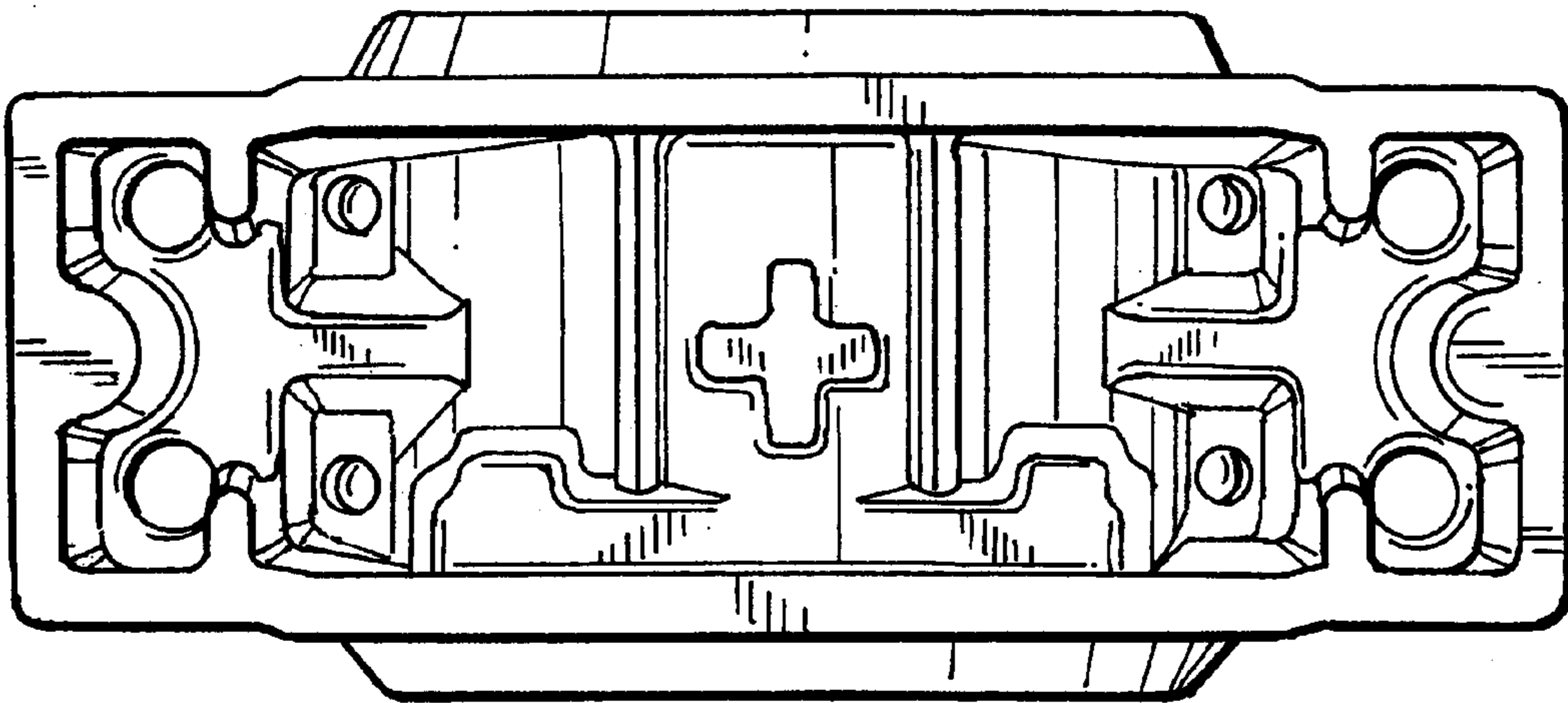


FIG. 7