



US00D446229S

(12) **United States Design Patent**
Kaneko

(10) **Patent No.:** **US D446,229 S**

(45) **Date of Patent:** **** Aug. 7, 2001**

(54) **RODLESS CYLINDER**

(75) **Inventor:** **Junya Kaneko, Abiko (JP)**

(73) **Assignee:** **SMC Kabushiki Kaisha, Tokyo (JP)**

(**) **Term:** **14 Years**

(21) **Appl. No.:** **29/131,961**

(22) **Filed:** **Oct. 30, 2000**

Related U.S. Application Data

(62) Division of application No. 29/121,690, filed on Apr. 12, 2000, now Pat. No. Des. 438,215.

(30) **Foreign Application Priority Data**

Oct. 18, 1999 (JP) 11-28522
Oct. 18, 1999 (JP) 11-28523

(51) **LOC (7) Cl.** **15-09**

(52) **U.S. Cl.** **D15/143; D15/5**

(58) **Field of Search** **D15/5, 143; 74/89.15, 74/490.09; 310/20, 80**

(56) **References Cited**

U.S. PATENT DOCUMENTS

D. 303,393 * 9/1989 Stoll D15/7

D. 373,364 * 9/1996 Abe D15/7
D. 378,214 * 2/1997 Ikumi D15/7
D. 378,680 * 4/1997 Ikumi D15/7
D. 408,420 * 4/1999 Butler D15/7
D. 417,457 * 12/1999 Asahara D15/7
D. 438,215 * 2/2001 Kaneko D15/7

FOREIGN PATENT DOCUMENTS

845402 5/1992 (JP) .

* cited by examiner

Primary Examiner—Antoine Duval Davis

(74) *Attorney, Agent, or Firm*—Frishauf, Holtz, Goodman, Langer & Chick, P.C.

(57) **CLAIM**

The ornamental design for a rodless cylinder, as shown.

DESCRIPTION

FIG. 1 is a top, front, left-side perspective view of a rodless cylinder showing my new design.

FIG. 2 is a front view thereof;

FIG. 3 is a rear view thereof;

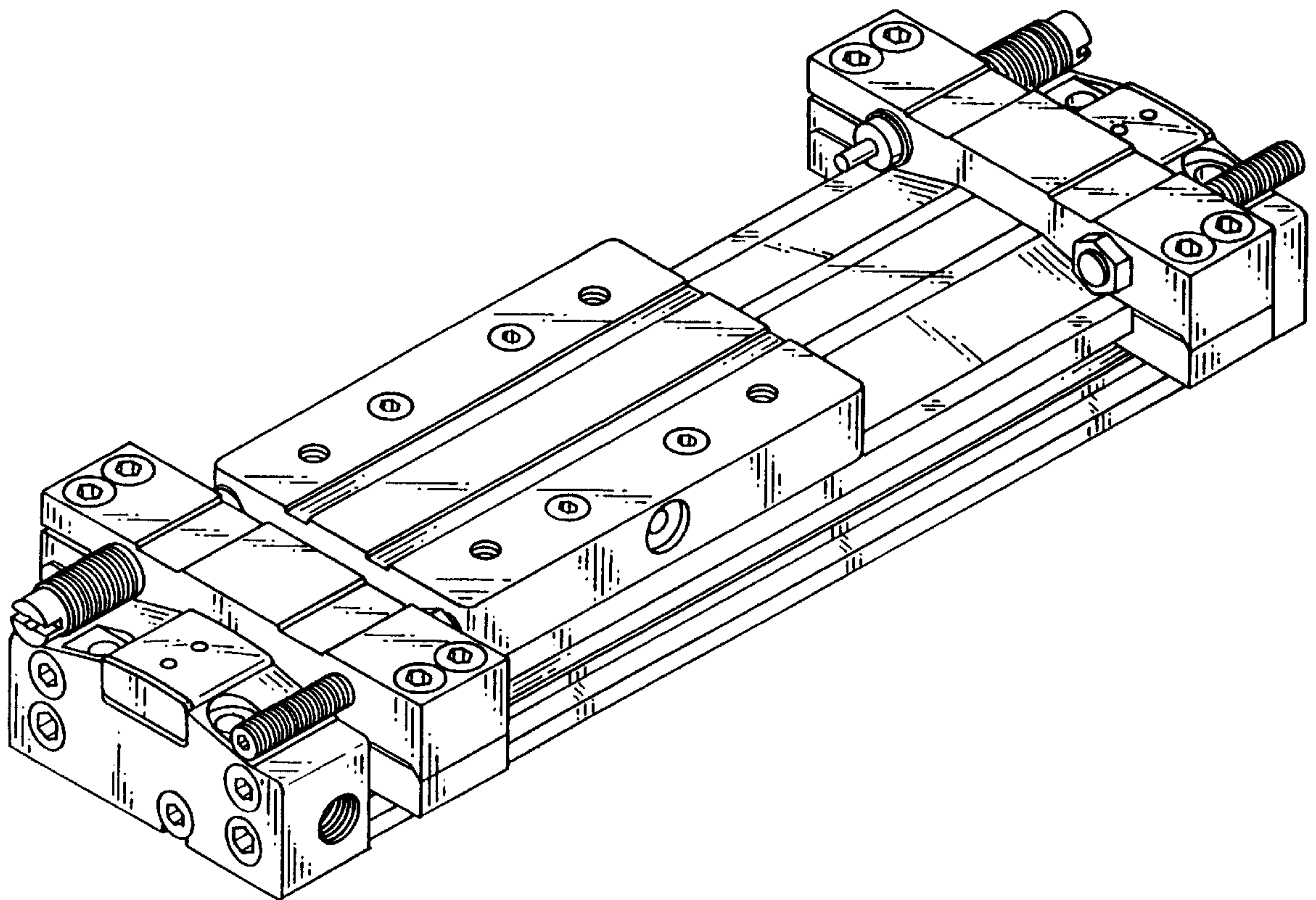
FIG. 4 is a left side view thereof;

FIG. 5 is a right side view thereof;

FIG. 6 is a top plan view thereof; and,

FIG. 7 is a bottom plan view thereof.

1 Claim, 3 Drawing Sheets



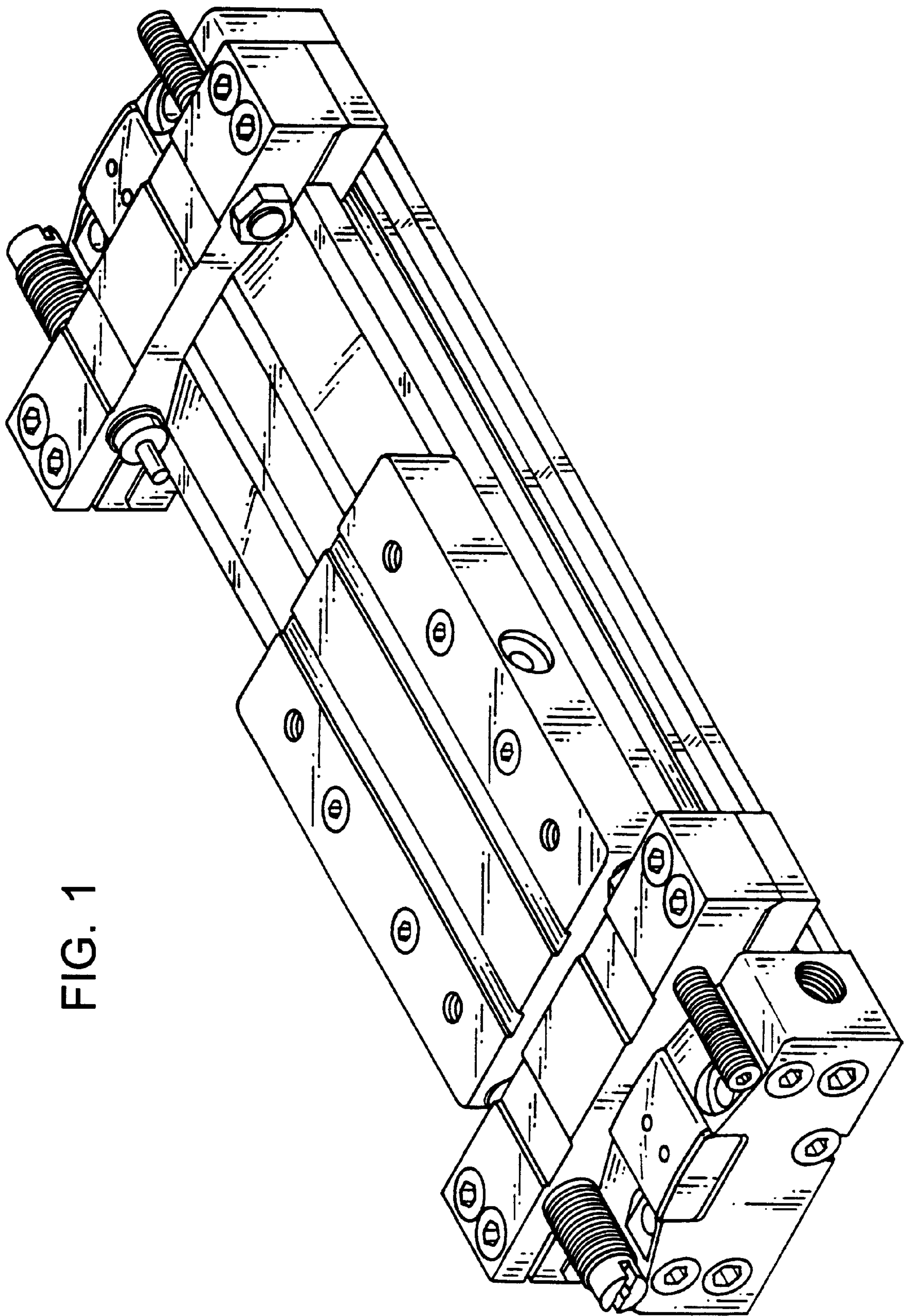


FIG. 1

FIG. 2

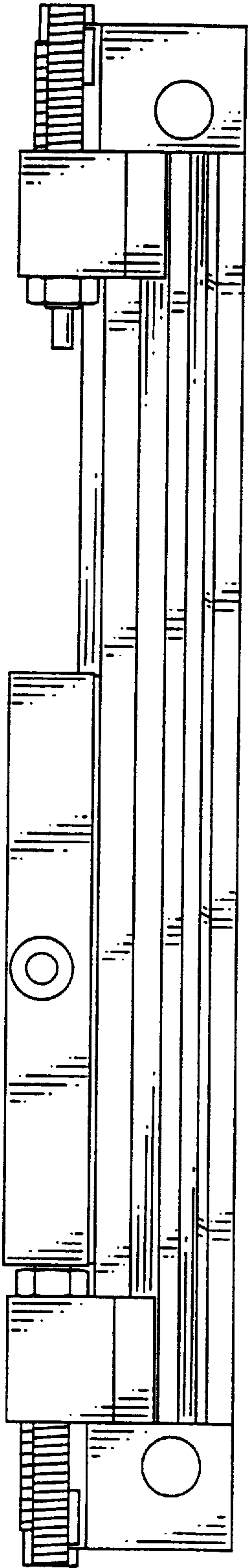


FIG. 3

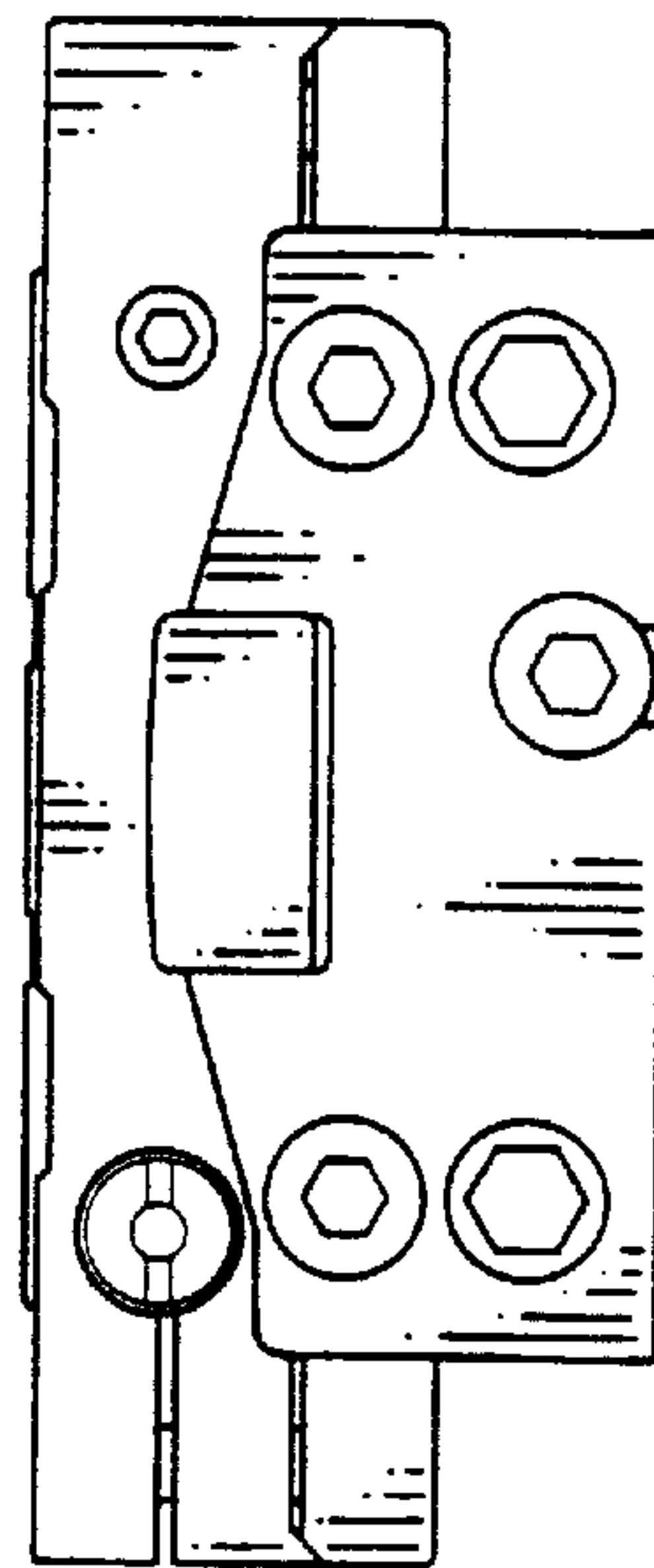
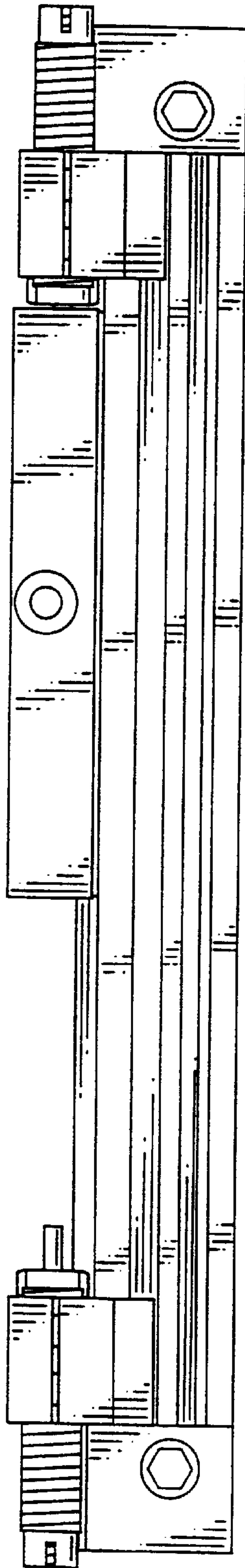


FIG. 4

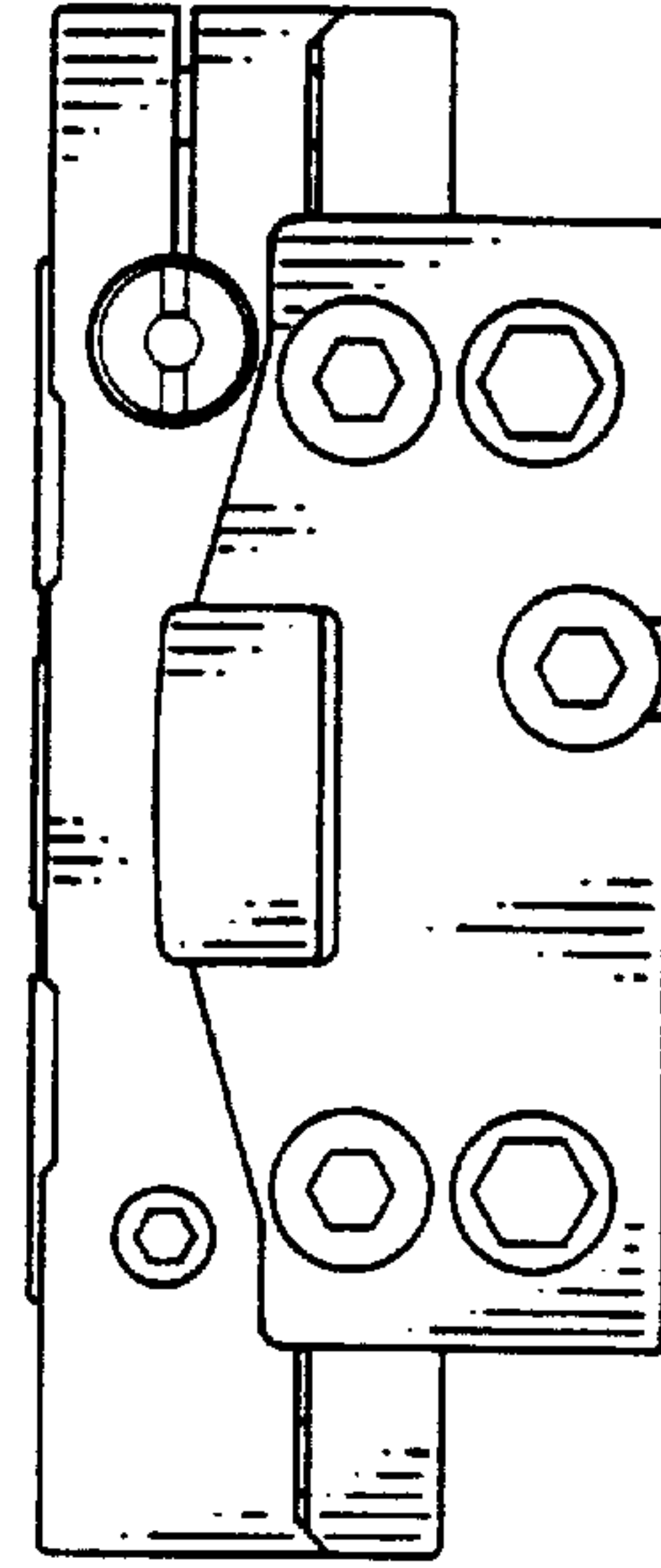


FIG. 5

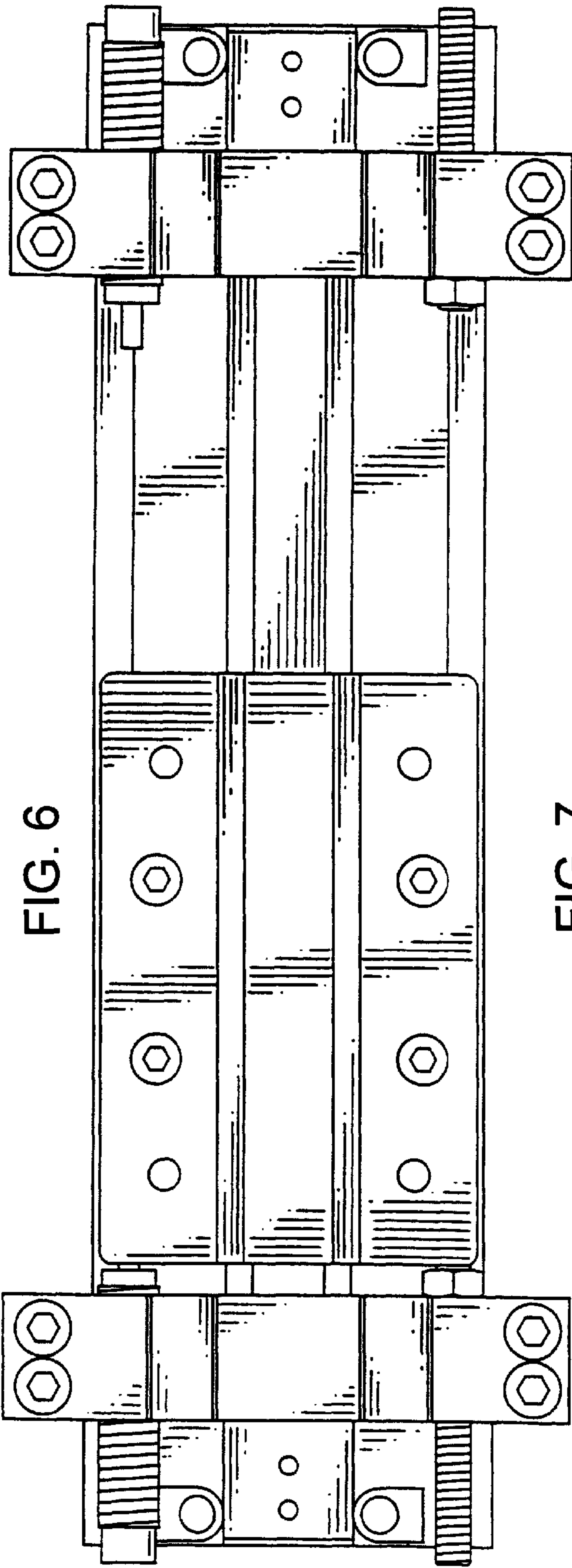


FIG. 6

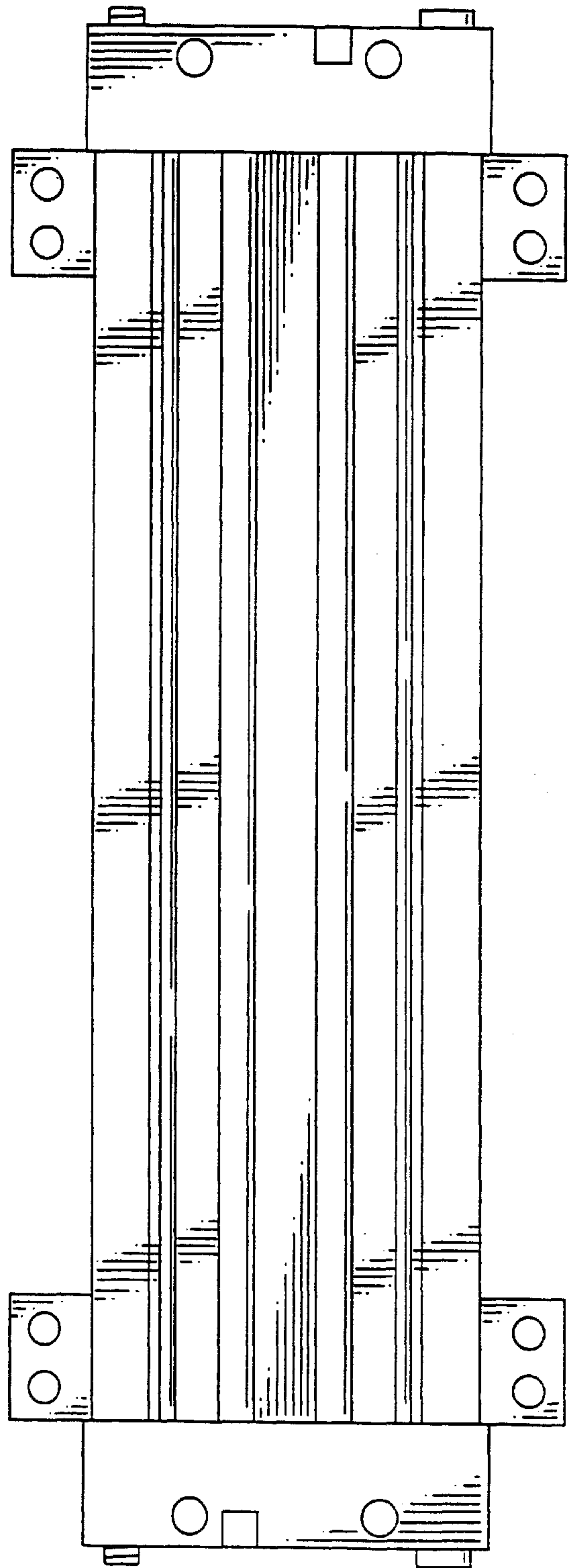


FIG. 7