



US00D446228S

(12) **United States Design Patent**
Hsu

(10) **Patent No.:** **US D446,228 S**

(45) **Date of Patent:** **** Aug. 7, 2001**

(54) **SCROLL SAW**

(75) Inventor: **Jung-Chuan Hsu**, Taichung (TW)

(73) Assignee: **P & F Brother Industrial Corporation**, Taichung (TW)

(**) Term: **14 Years**

(21) Appl. No.: **29/129,550**

(22) Filed: **Sep. 18, 2000**

(51) **LOC (7) Cl.** **15-09**

(52) **U.S. Cl.** **D15/133**

(58) **Field of Search** **D15/133; 83/783-786**

(56) **References Cited**

U.S. PATENT DOCUMENTS

- D. 366,881 * 2/1996 Eccardt et al. D15/133
- D. 400,897 * 11/1998 Huang-Sung D15/133
- 5,065,652 * 11/1991 Legler et al. 83/783

* cited by examiner

Primary Examiner—Antoine Duval Davis
(74) *Attorney, Agent, or Firm*—Baker Botts L.L.P.

(57) **CLAIM**

The ornamental design for a scroll saw, as shown and described.

DESCRIPTION

FIG. 1 is a perspective view of scroll saw showing my new design;

FIG. 2 is a front elevational view thereof;

FIG. 3 is a rear elevational view thereof;

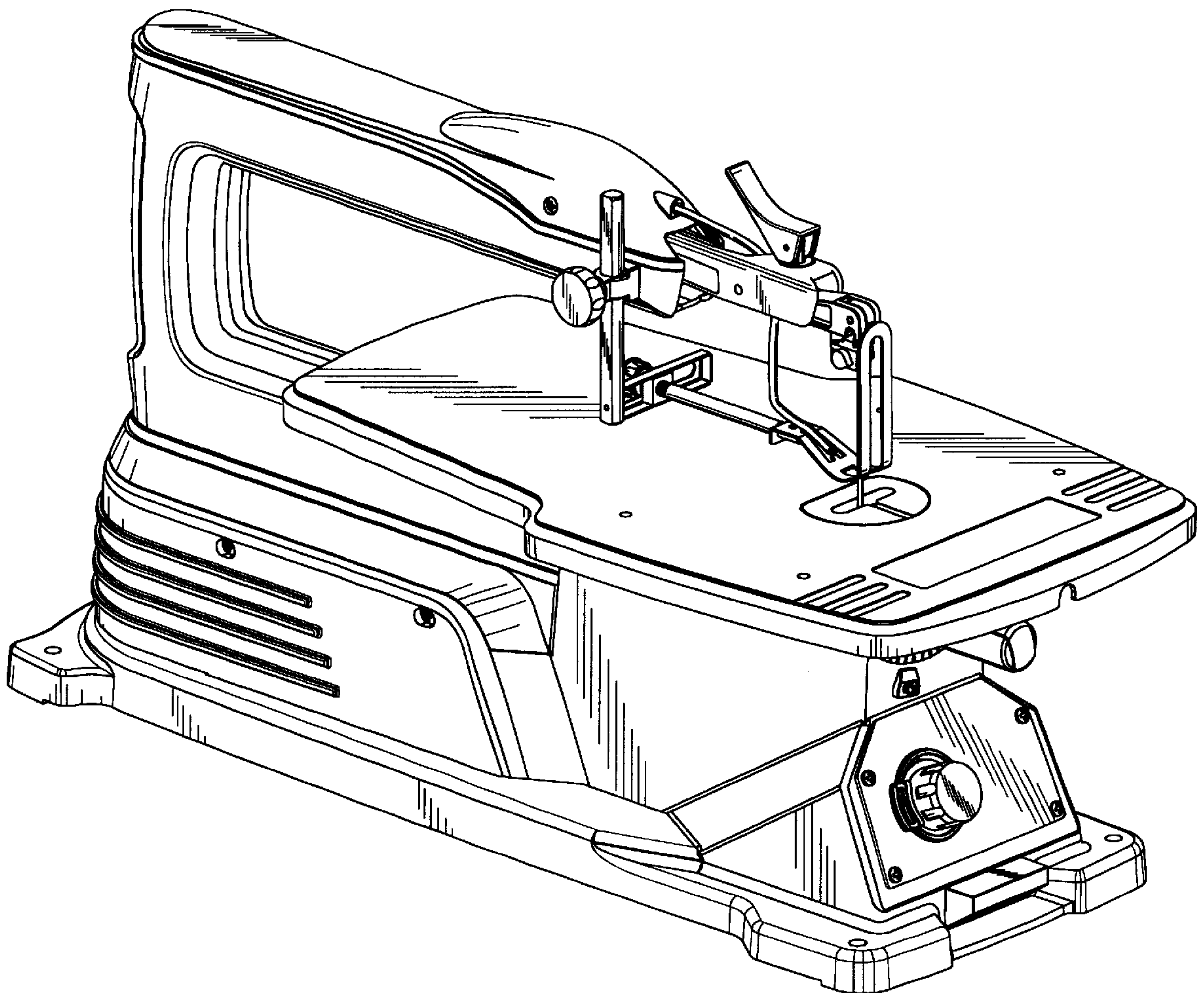
FIG. 4 is a left side elevational view thereof;

FIG. 5 is a right side elevational view thereof;

FIG. 6 is a top plan view thereof; and,

FIG. 7 is a bottom plan view thereof.

1 Claim, 4 Drawing Sheets



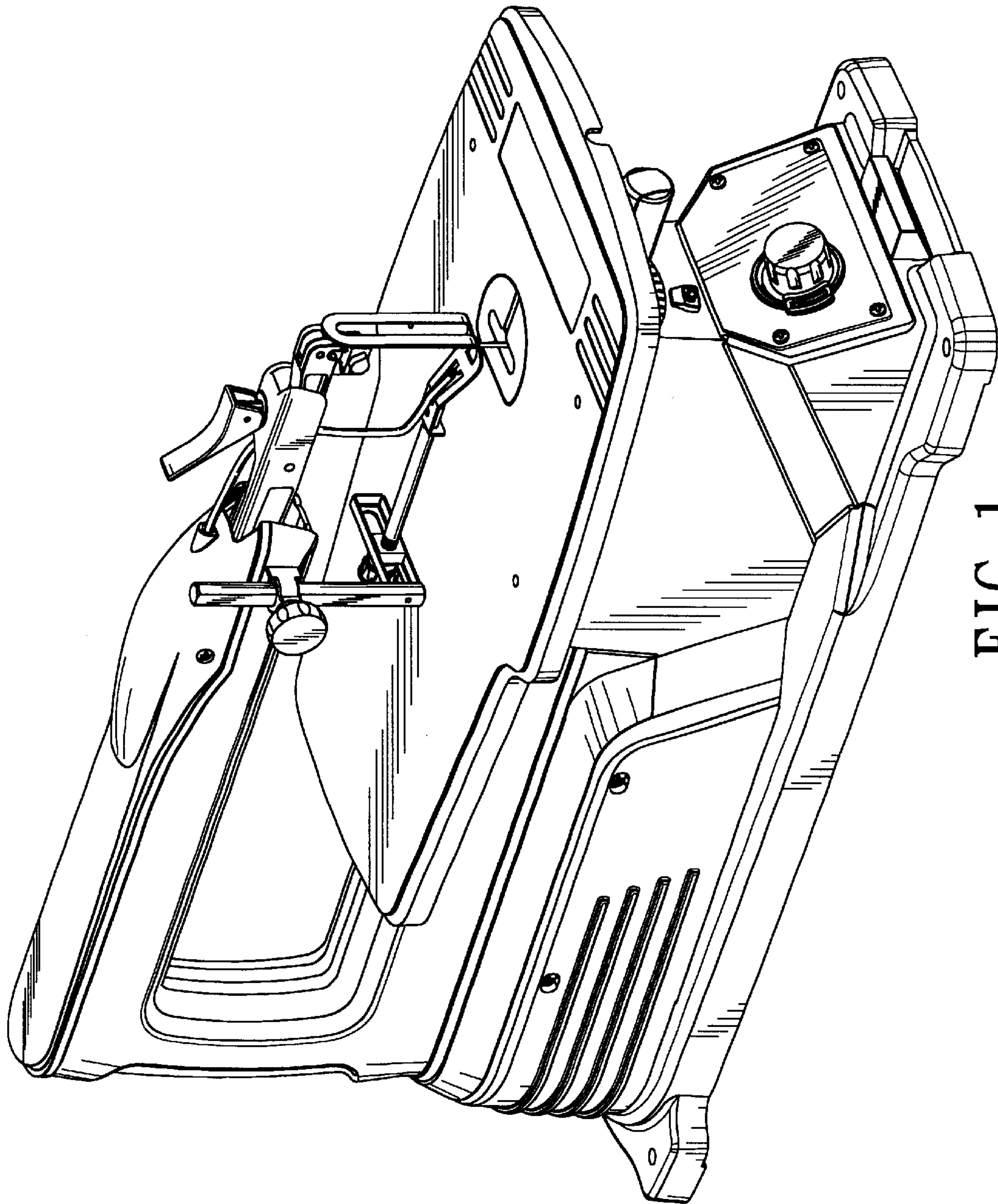


FIG. 1

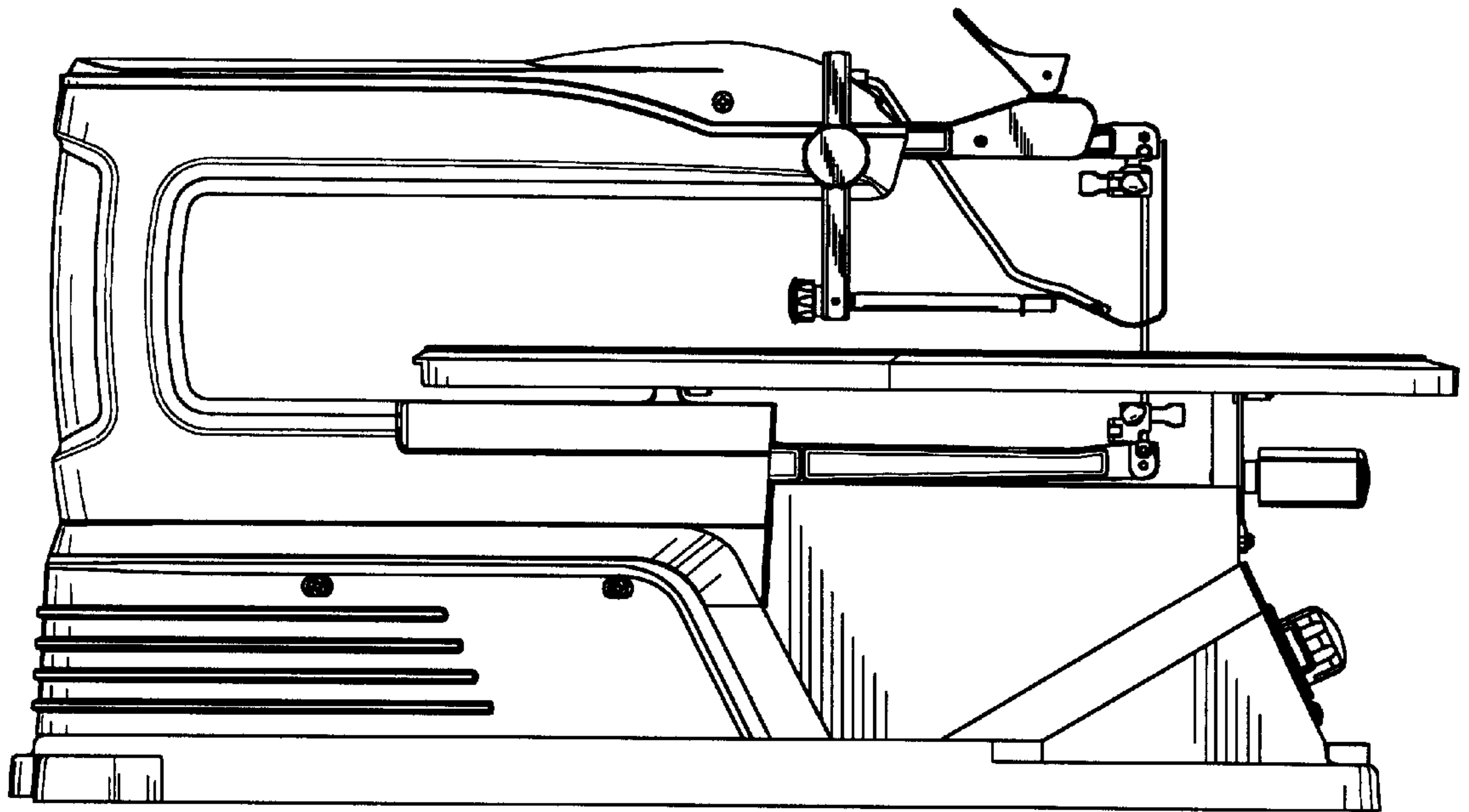


FIG. 2

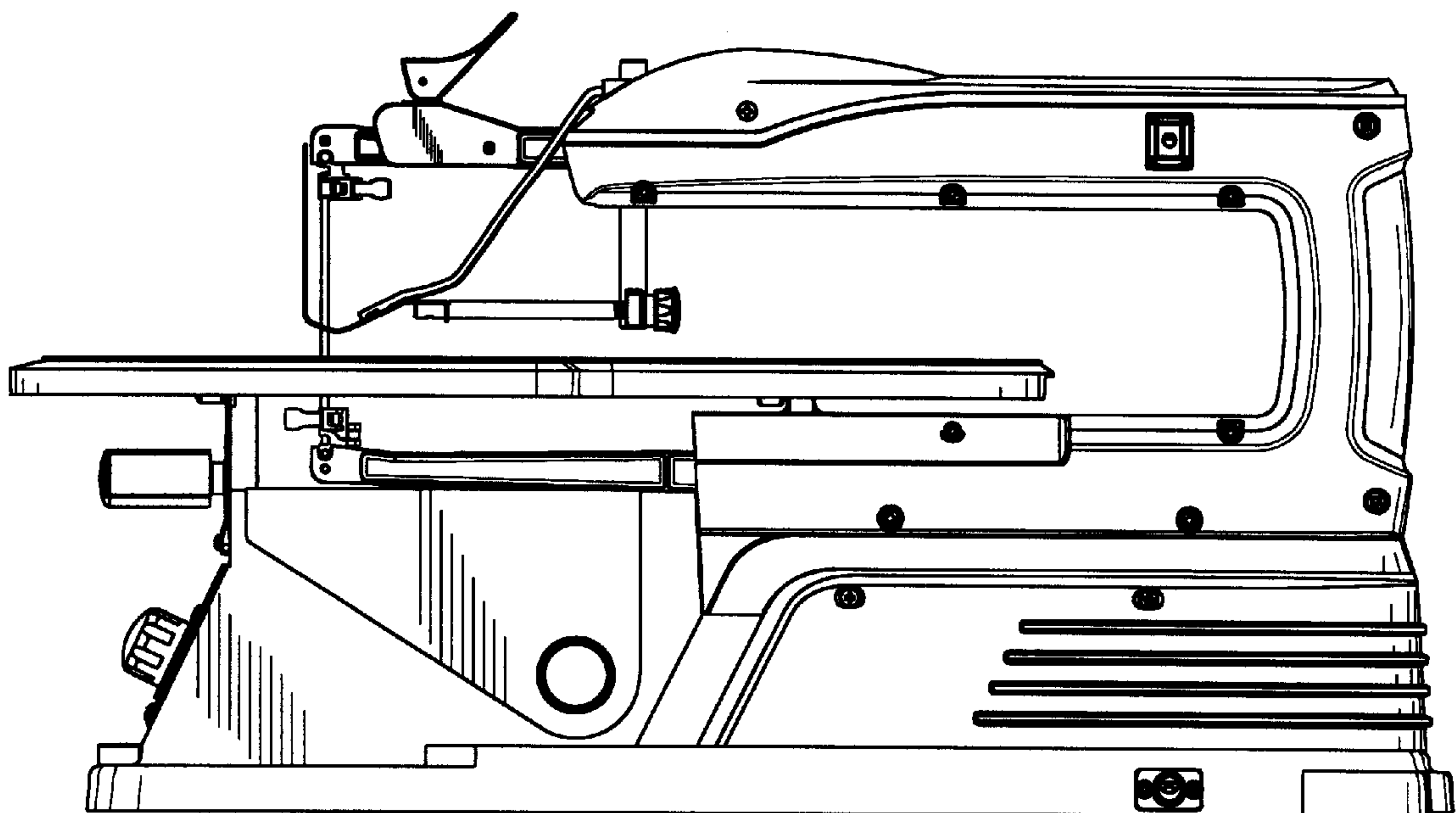


FIG. 3

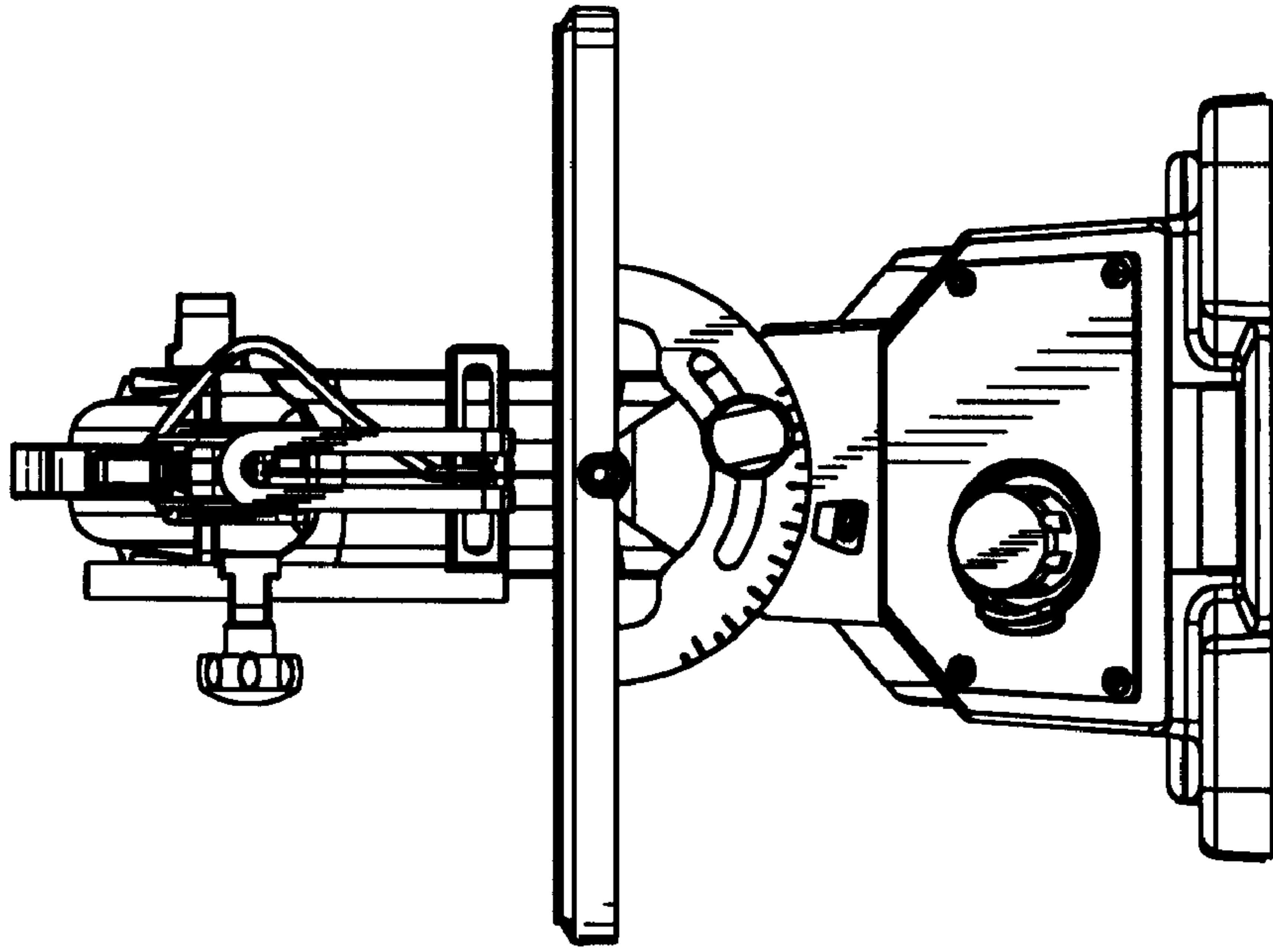


FIG. 5

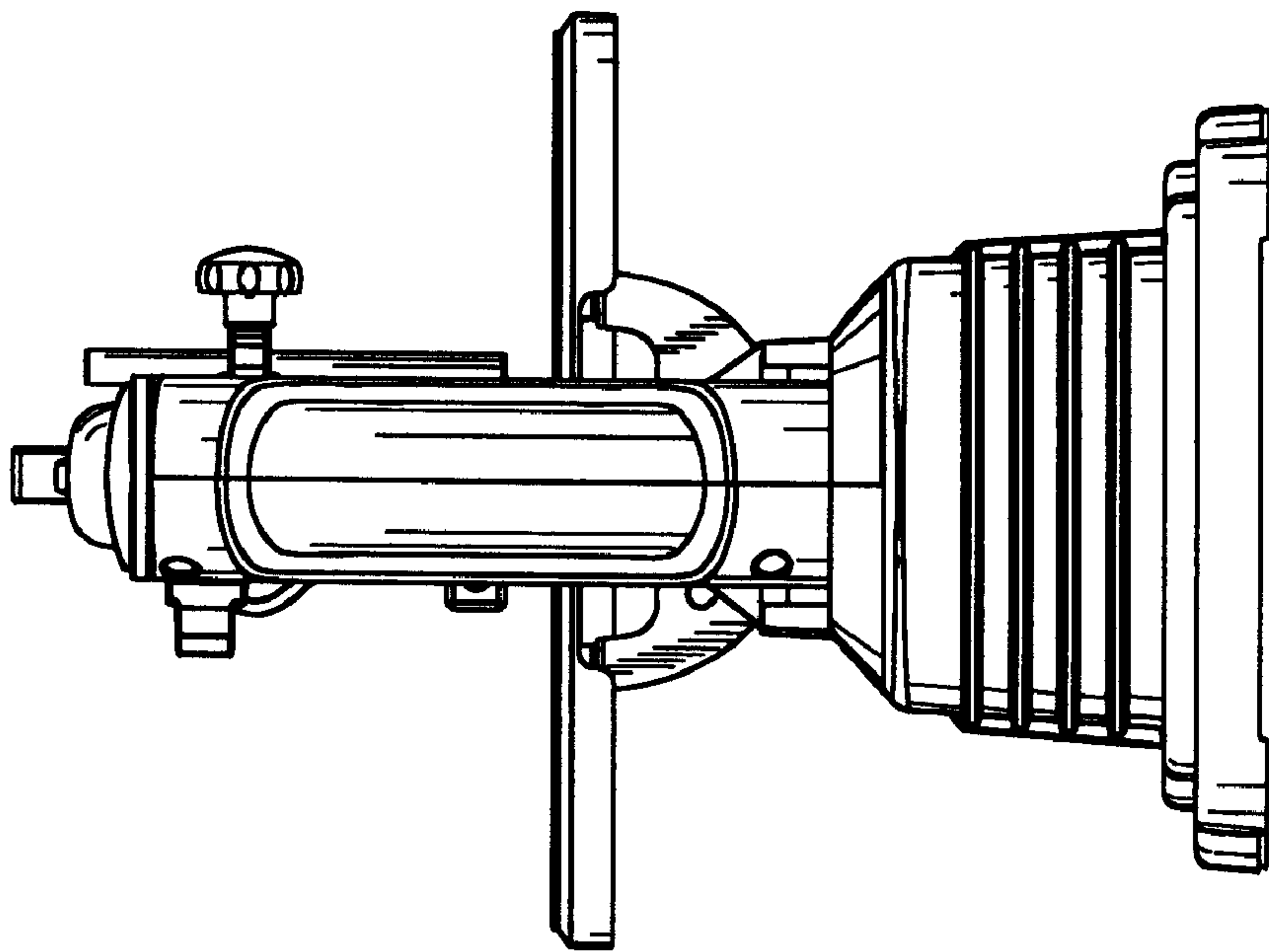


FIG. 4

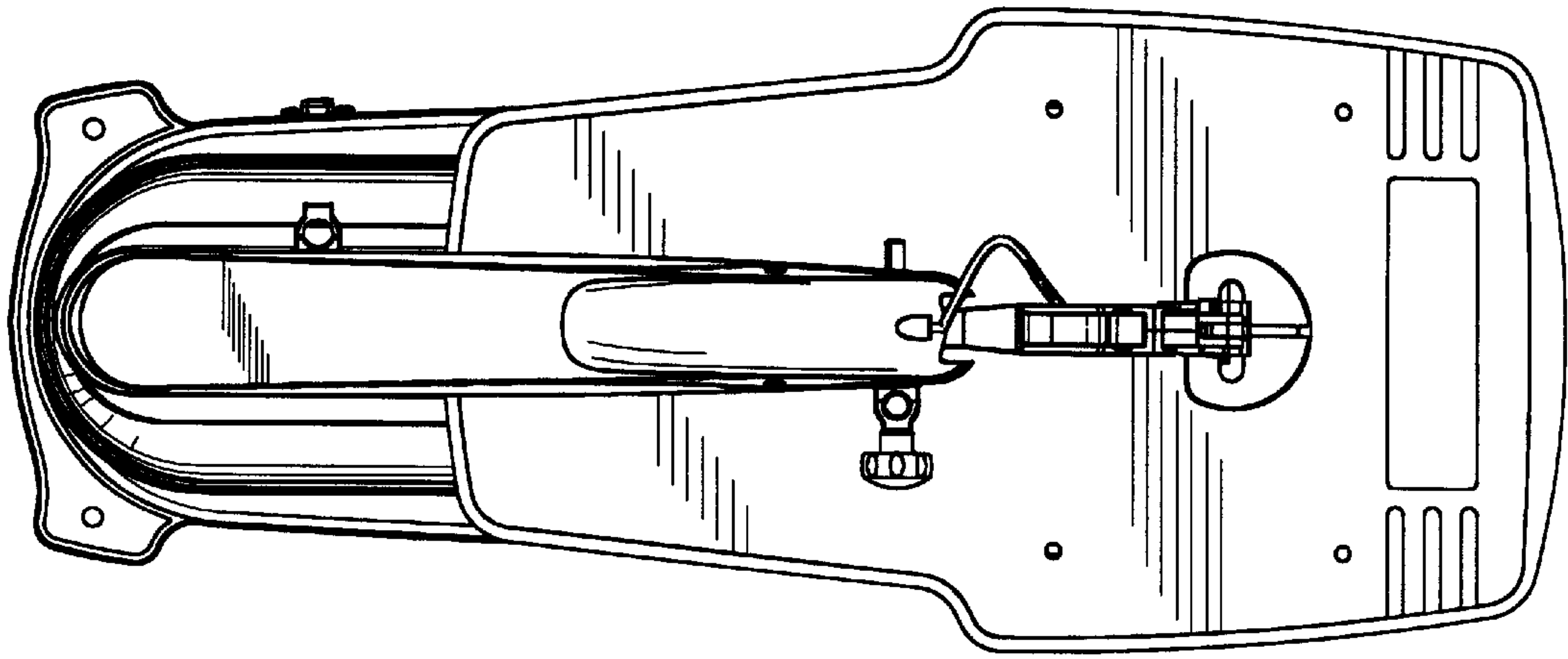


FIG. 6

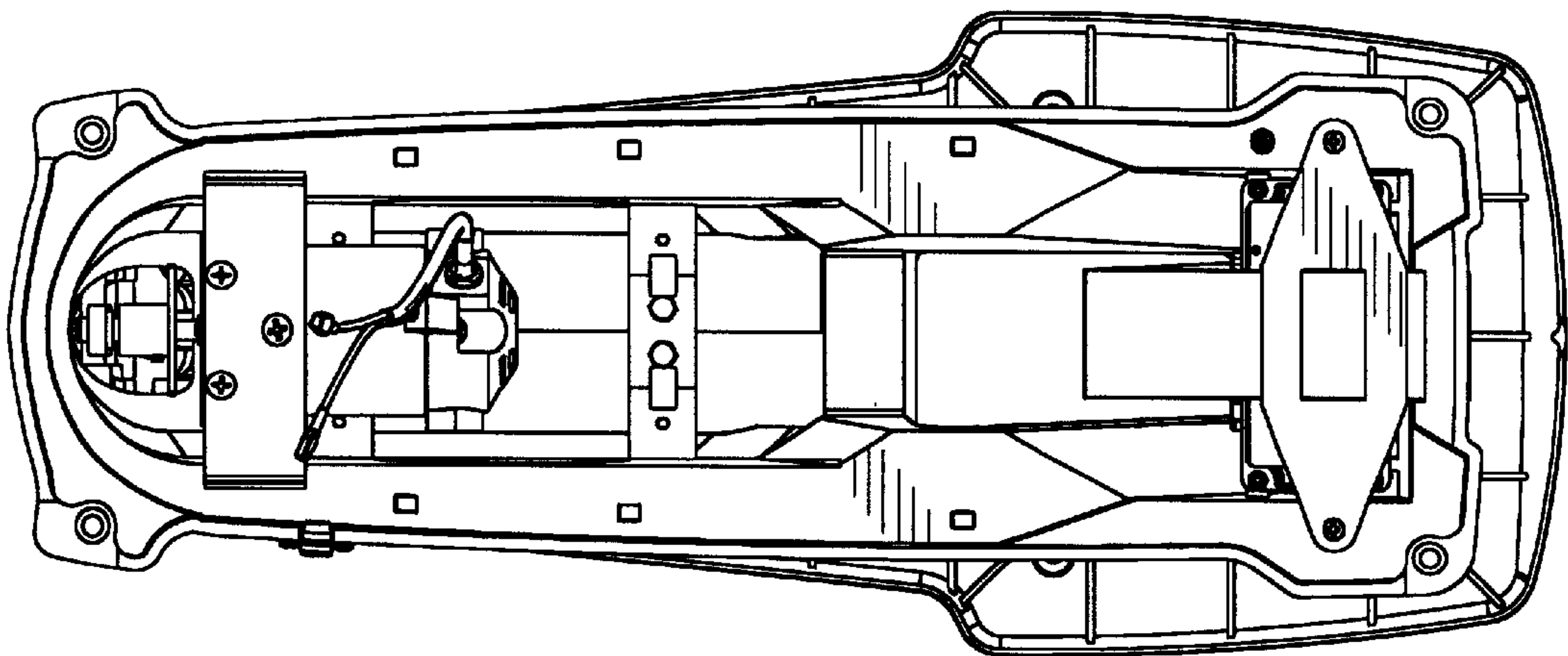


FIG. 7