



US00D446224S

(12) **United States Design Patent**
Clendenning

(10) **Patent No.:** **US D446,224 S**

(45) **Date of Patent:** **** Aug. 7, 2001**

(54) **DIGGING TOOTH**

(75) Inventor: **Charles Clendenning**, Broken Arrow,
OK (US)

(73) Assignee: **H&L Tooth Company**, Tulsa, OK (US)

(**) Term: **14 Years**

(21) Appl. No.: **29/127,122**

(22) Filed: **Jul. 31, 2000**

Related U.S. Application Data

(62) Division of application No. 29/112,696, filed on Oct. 21,
1999, now Pat. No. Des. 435,567.

(51) **LOC (7) Cl.** **15-04**

(52) **U.S. Cl.** **D15/29**

(58) **Field of Search** D15/10, 25, 28,
D15/29; 37/452-455

(56) **References Cited**

U.S. PATENT DOCUMENTS

2,118,872 * 5/1938 Weimer .
3,425,117 * 2/1969 Hill 228/170

3,444,633 * 5/1969 Hensley 37/452
3,623,247 * 11/1971 Stepe .
4,711,503 * 12/1987 Berchem et al. 299/105
4,949,481 * 8/1990 Fellner 37/452
5,018,283 * 5/1991 Fellner 37/452
5,802,752 * 9/1998 Quarfordt 37/452

* cited by examiner

Primary Examiner—Sandra L. Morris

(74) *Attorney, Agent, or Firm*—John W. Harbst

(57) **CLAIM**

The ornamental design for a digging tooth, as shown and described.

DESCRIPTION

FIG. 1 is a rear, right side perspective view of a digging tooth showing my new design;

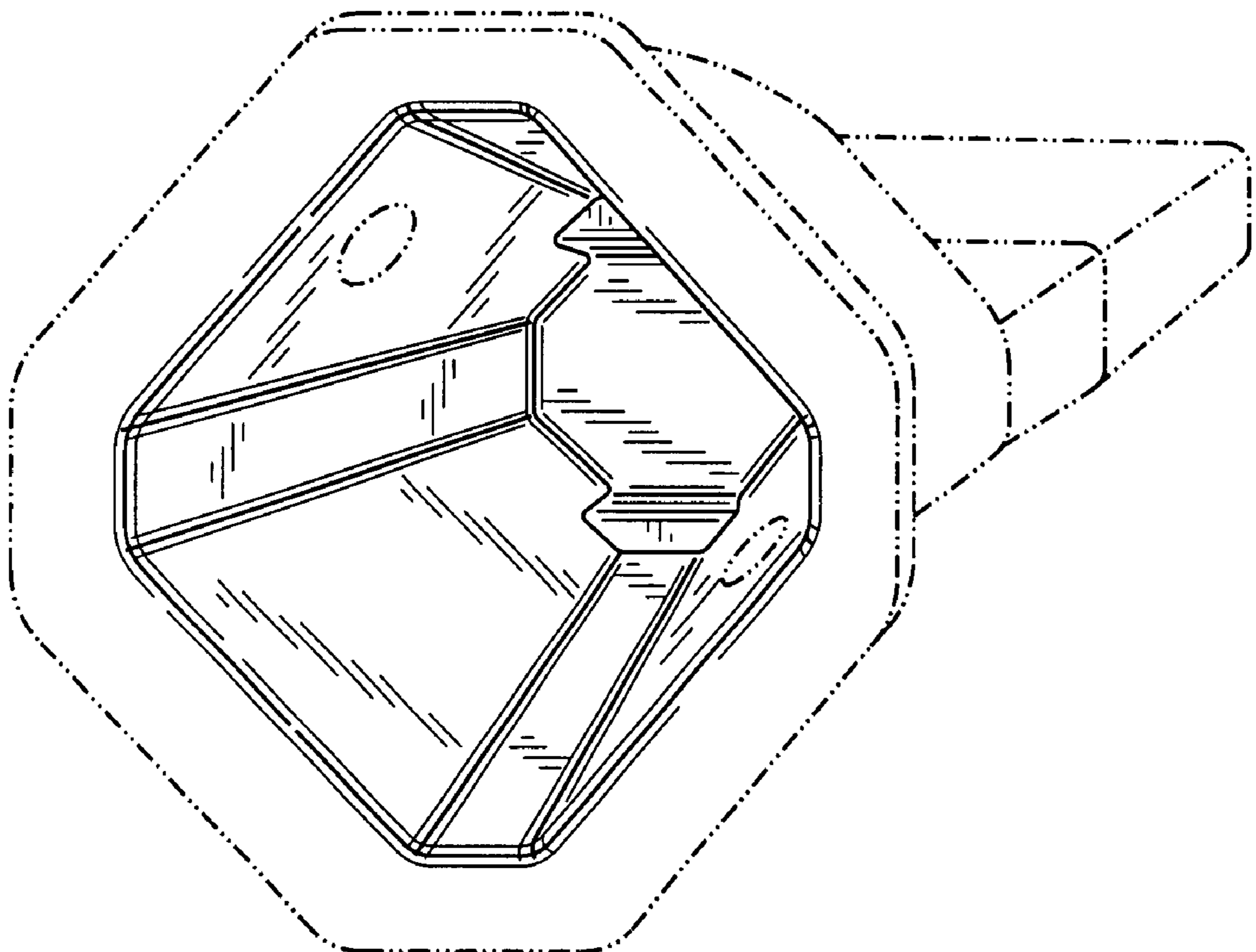
FIG. 2 is a rear elevational view thereof;

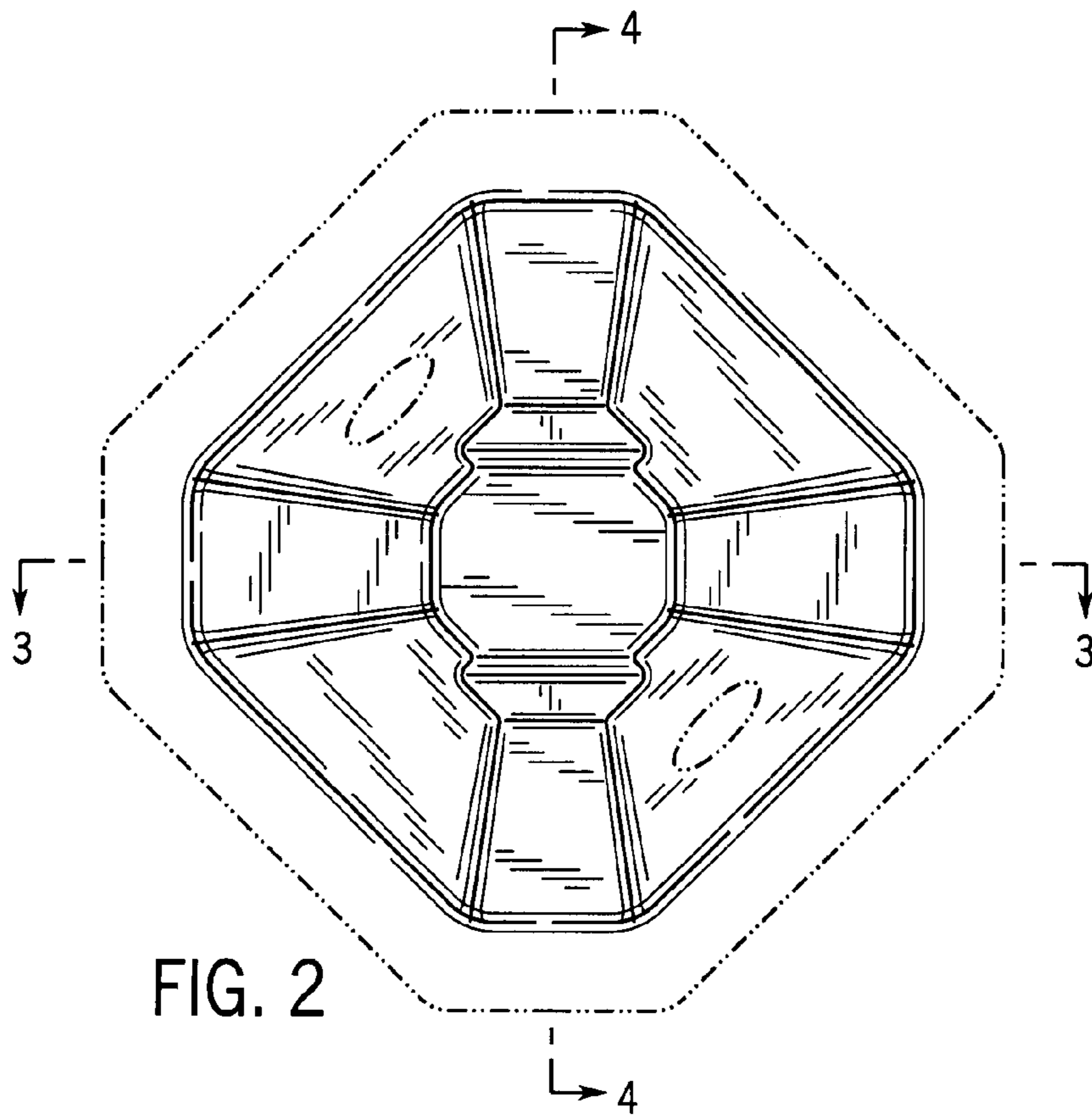
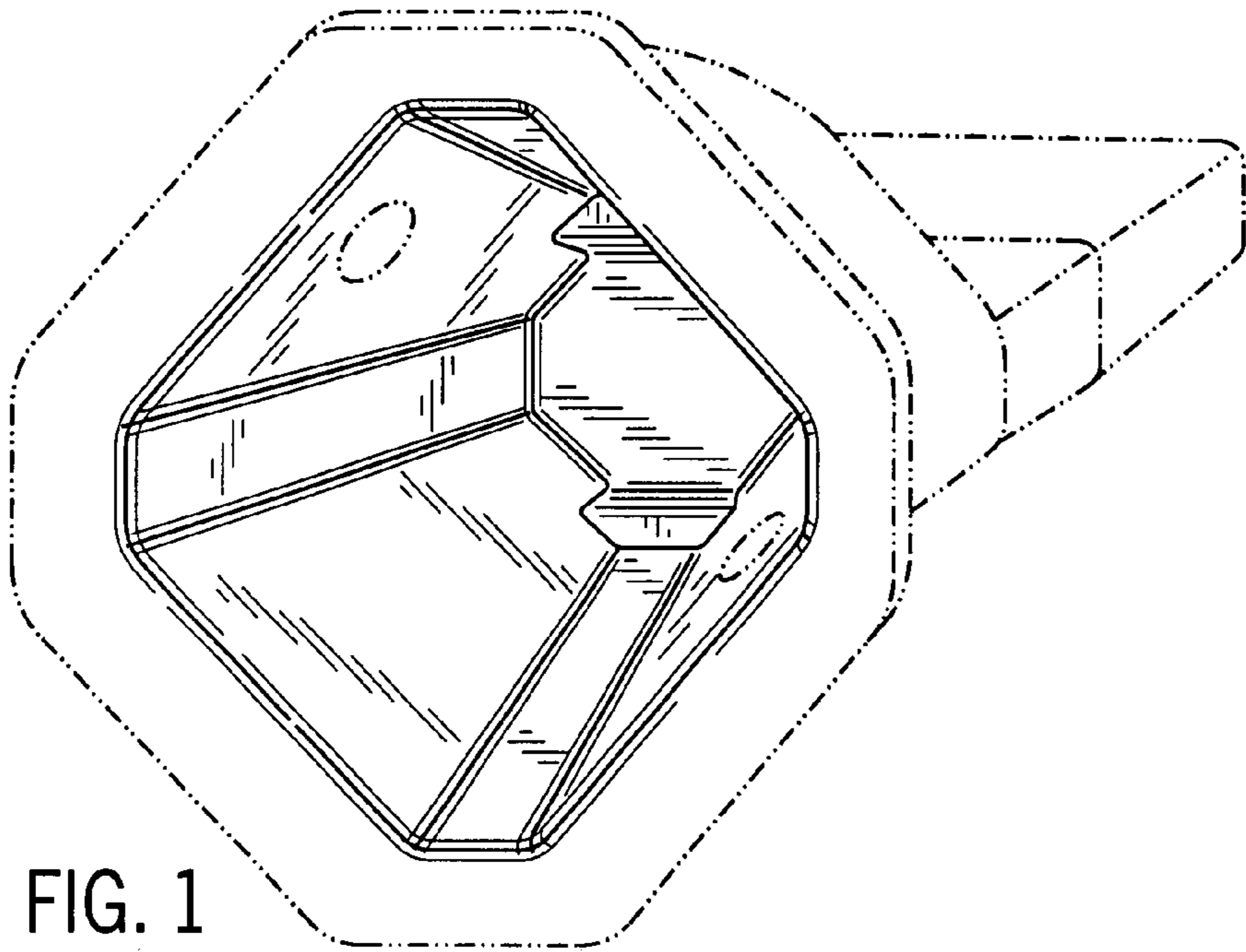
FIG. 3 is a sectional view taken along line 3—3 of FIG. 2; and,

FIG. 4 is another sectional view taken along line 4—4 of FIG. 2.

The phantom lines shown in the drawings form no part of the present invention.

1 Claim, 3 Drawing Sheets





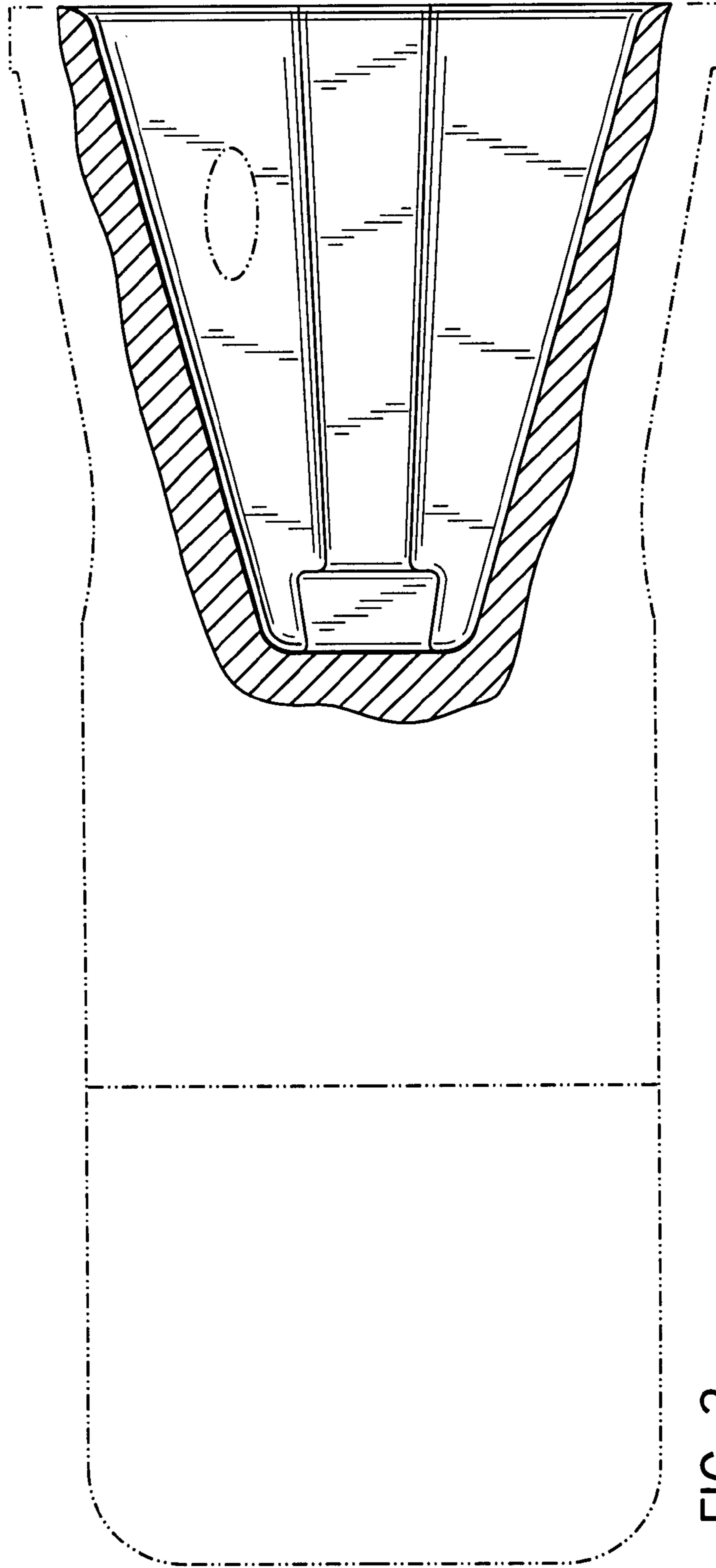


FIG. 3

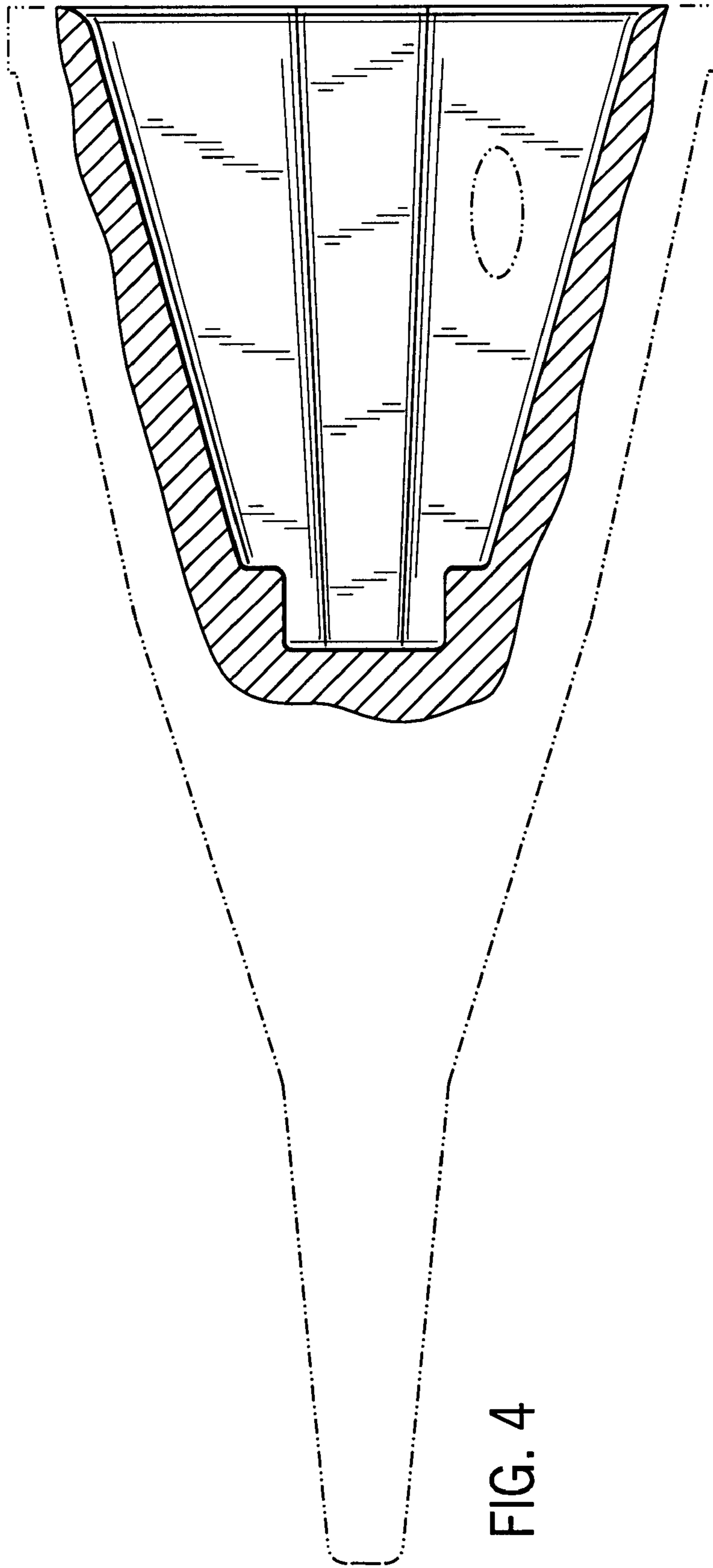


FIG. 4