



US00D446222S

(12) **United States Design Patent**
Bruns et al.

(10) **Patent No.:** **US D446,222 S**

(45) **Date of Patent:** **** Aug. 7, 2001**

(54) **SKID SHOE**

(76) Inventors: **Mark W. Bruns**, 380 Connecticut St.,
Hutchinson, MN (US) 55350; **Steven A. Bruns**, Rte. 1, Box 96, Hector, MN
(US) 55342

(**) **Term:** **14 Years**

(21) **Appl. No.:** **29/121,076**

(22) **Filed:** **Apr. 3, 2000**

(51) **LOC (7) Cl.** **15-03**

(52) **U.S. Cl.** **D15/28**

(58) **Field of Search** D15/10, 28, 29,
D15/32; 56/10.2, 13.6, 17.4, 320.1, 119

(56) **References Cited**

U.S. PATENT DOCUMENTS

D. 182,143	*	2/1958	Petersen	D15/29
D. 240,846	*	8/1976	Andersson	D15/29
D. 302,432		7/1989	Rabitsch	D15/28
D. 314,778		2/1991	Rabitsch	D15/28
D. 382,570		8/1997	Bruns	D15/28
D. 391,582		3/1998	Bruns	D15/28
D. 423,522		4/2000	Huntimer	D15/28
2,986,863		6/1961	McCarty	.	
3,747,311		7/1973	DeCoene et al.	.	
3,808,783		5/1974	Sutherland et al.	.	
4,103,476		8/1978	Oosterling et al.	56/13.6
4,403,467		9/1983	Baugh	56/119

4,476,667	10/1984	Moss	56/119
4,497,161	2/1985	Vissers et al.	56/13.6
4,633,656	1/1987	Willinger	56/13.6
4,729,212	3/1988	Rabitsch	56/119
5,012,635	5/1991	Walters et al.	56/13.6
5,090,184	2/1992	Garter et al.	56/10.2
5,174,101	12/1992	Rabitsch	56/17.4
5,924,270	7/1999	Bruns	56/320.1

OTHER PUBLICATIONS

Pacific Allowy Castings Inc. Catalog, p. 11, International Ripper Point, top.*

* cited by examiner

Primary Examiner—Sandra L. Morris

(57) **CLAIM**

The ornamental design of a skid shoe, as shown and described.

DESCRIPTION

FIG. 1 is a perspective view of the skid shoe of our new design;

FIG. 2 is a top plan view thereof;

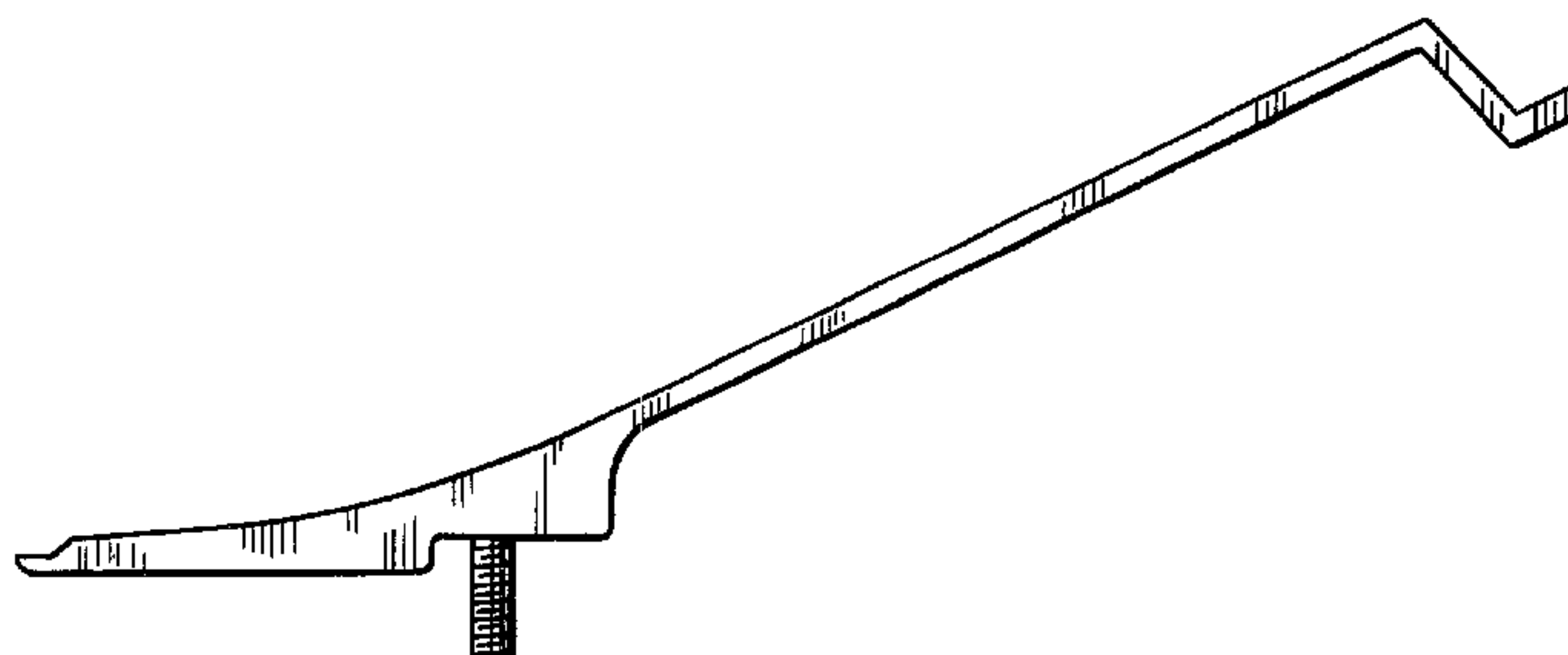
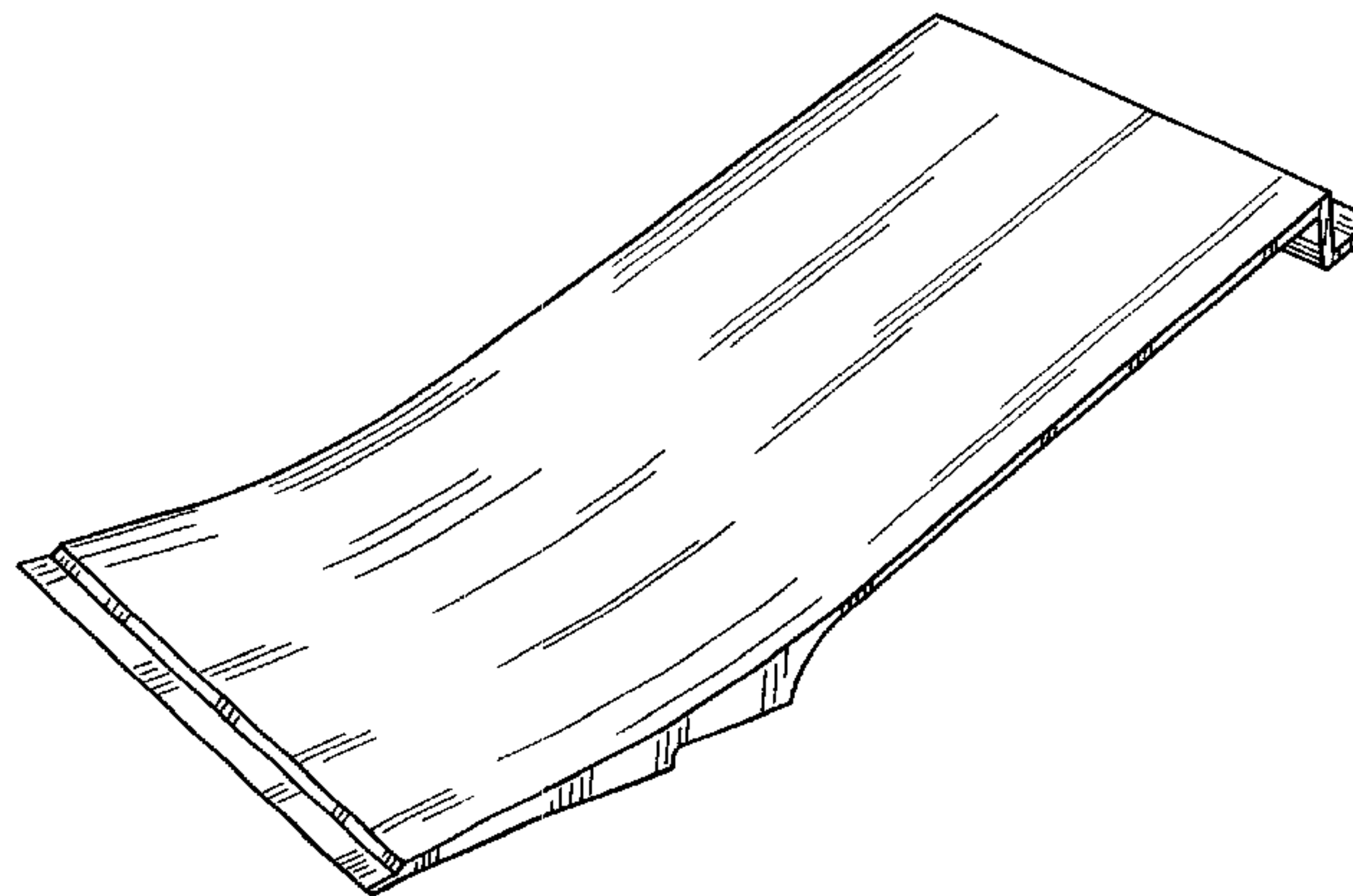
FIG. 3 is a side elevational view thereof, the opposite side elevational view is a mirror image thereof;

FIG. 4 is a front elevational view thereof;

FIG. 5 is a rear elevational view thereof; and,

FIG. 6 is a bottom plan view thereof.

1 Claim, 2 Drawing Sheets



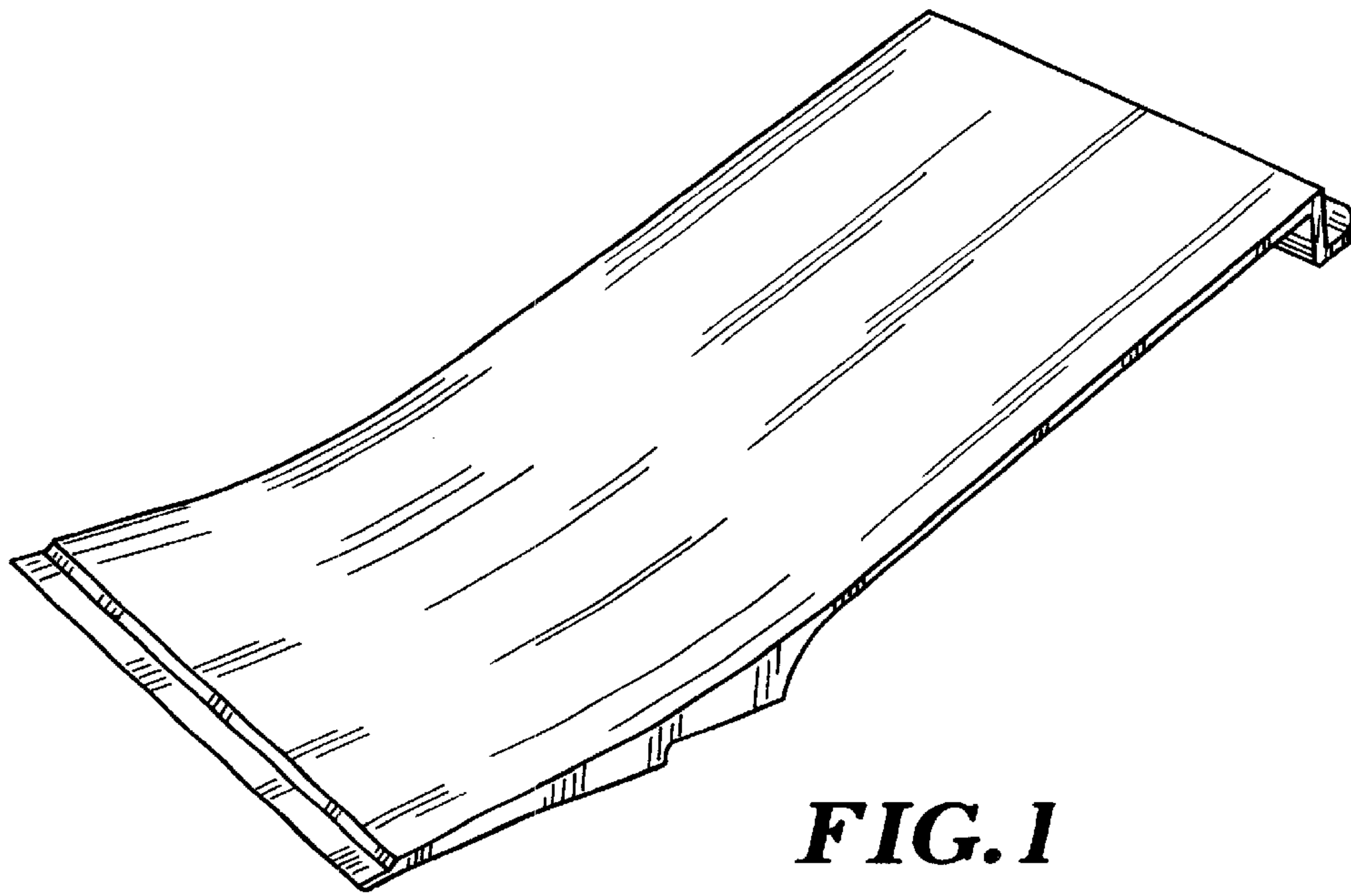


FIG. 1

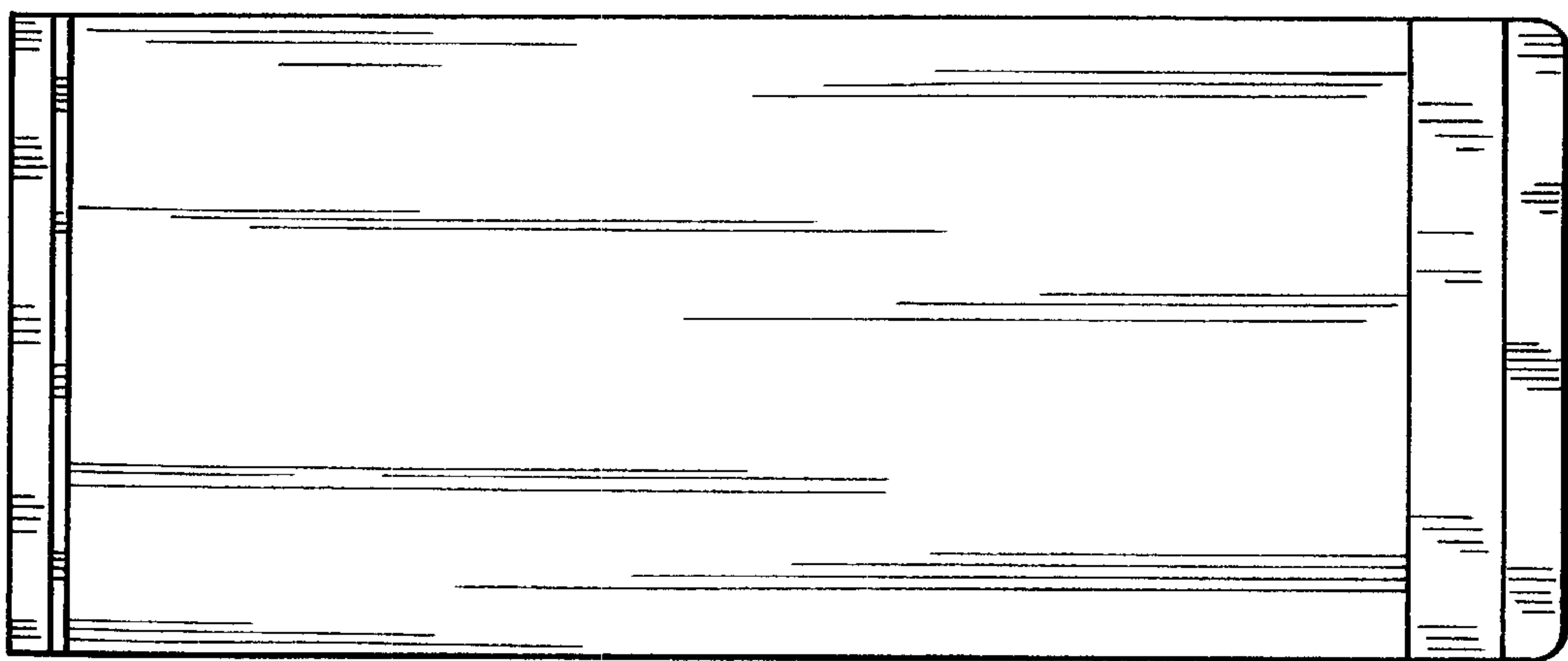


FIG. 2

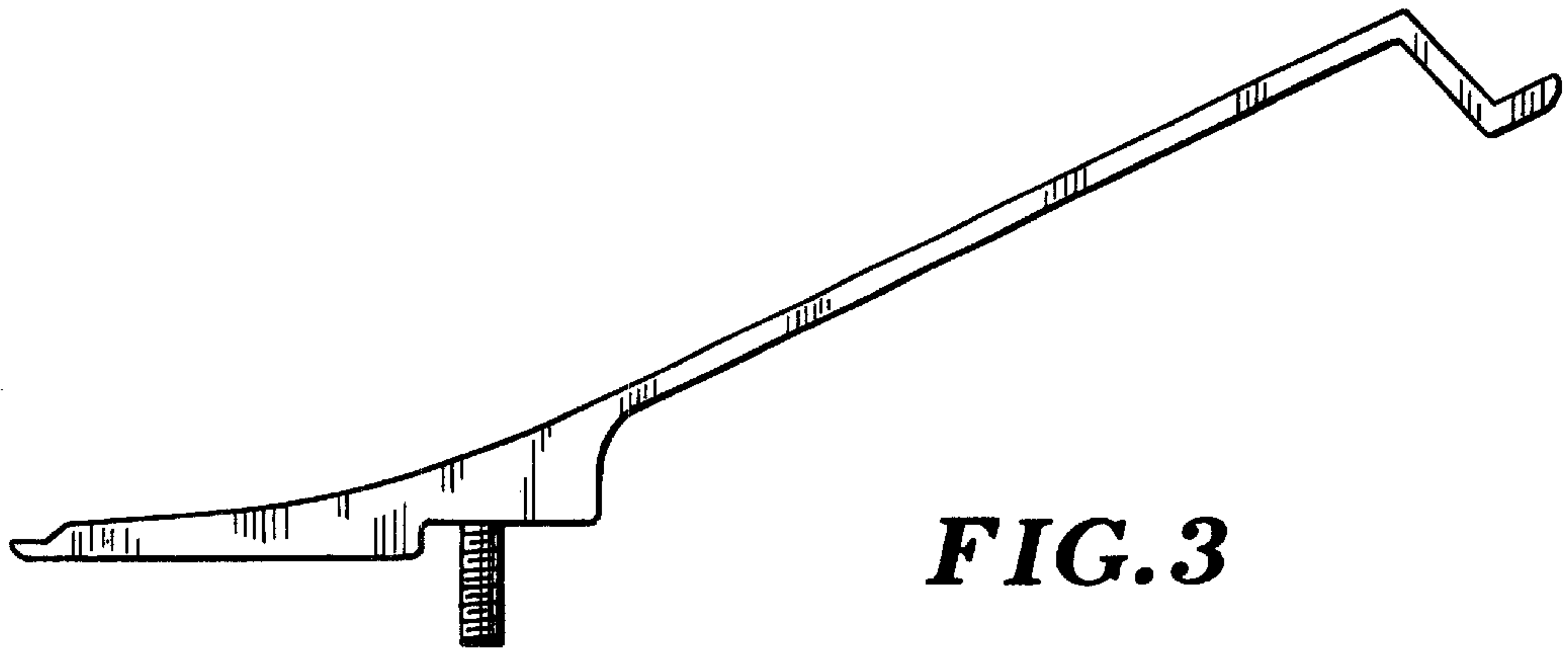


FIG. 3

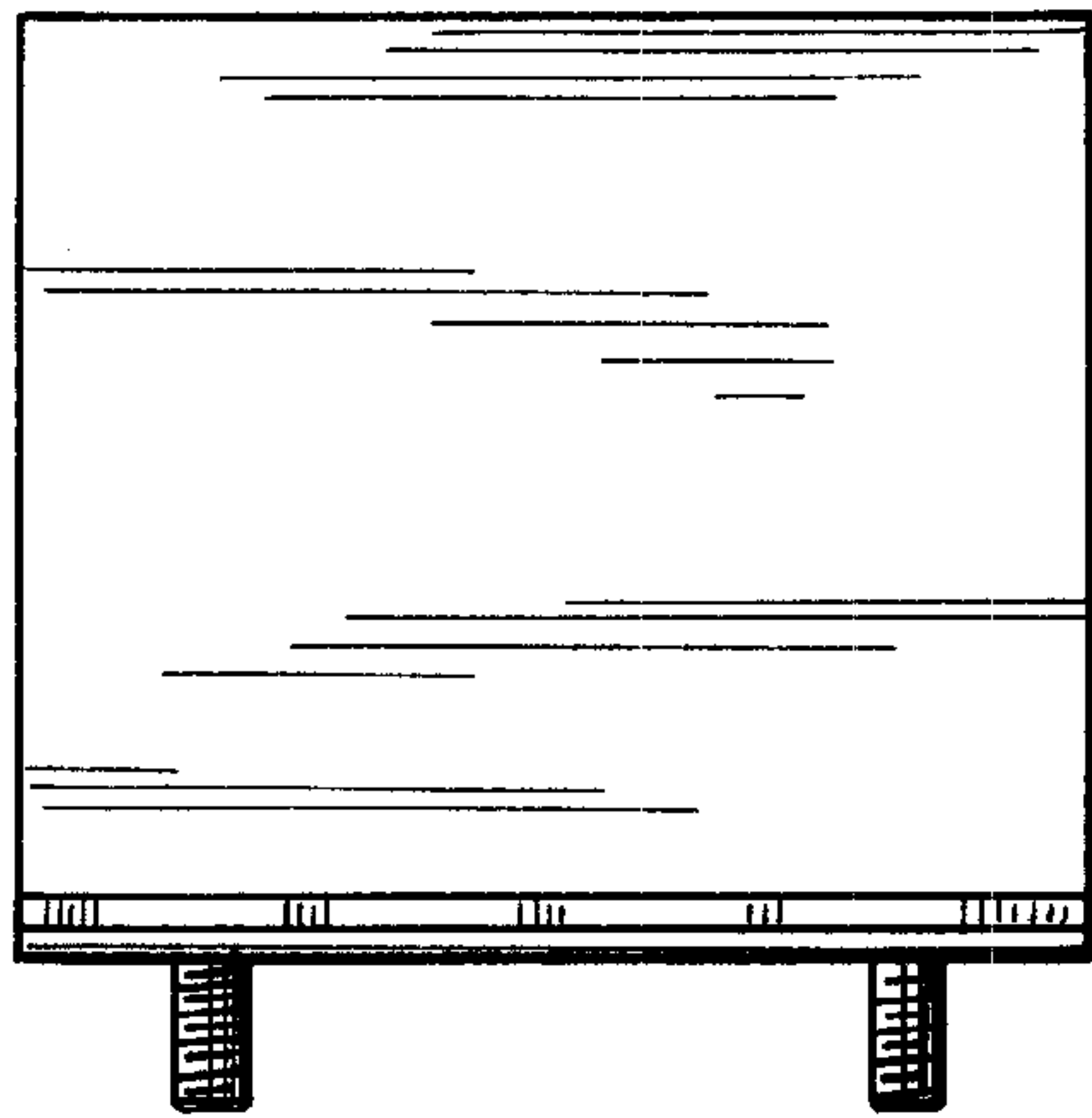


FIG. 4

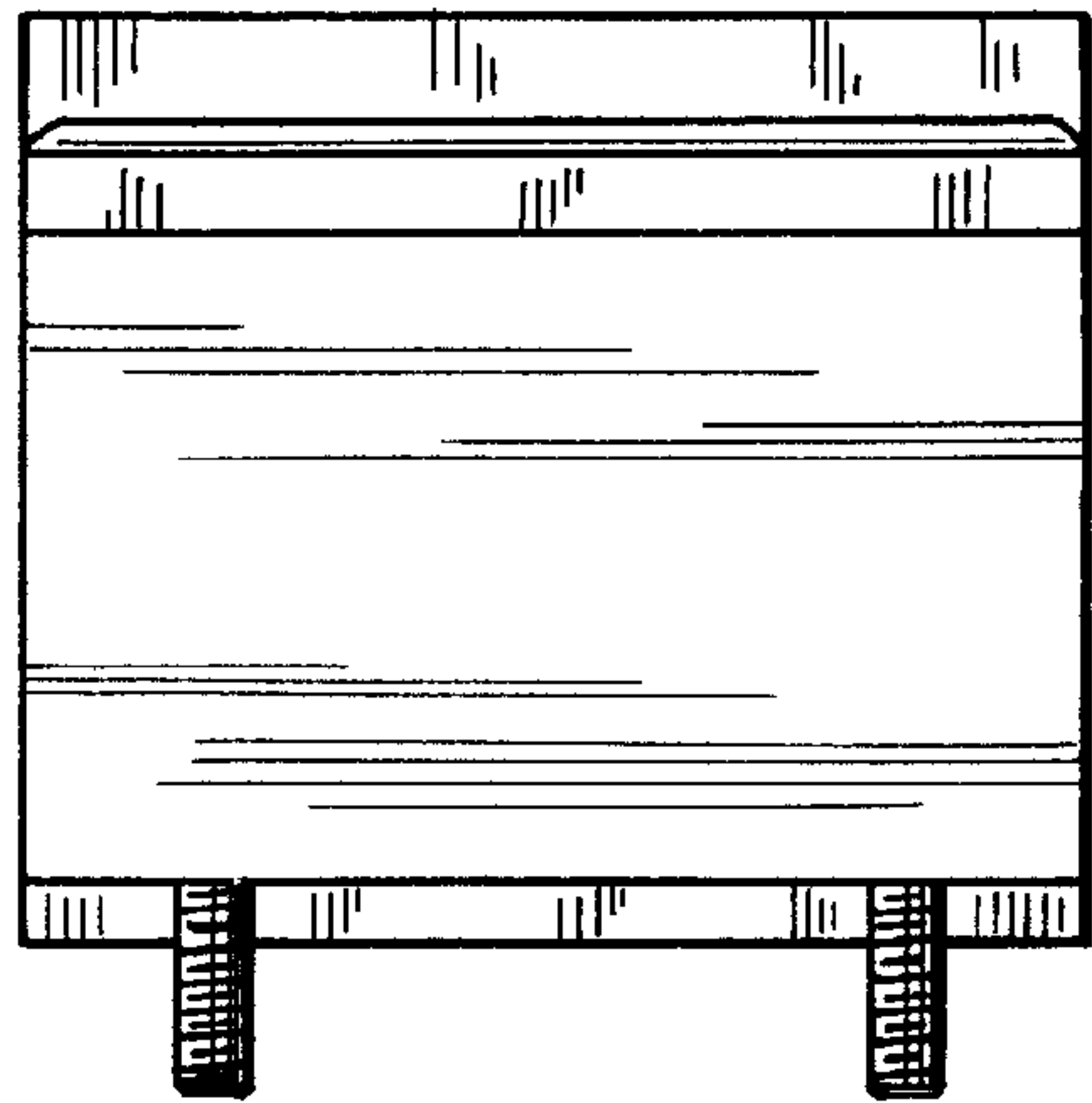


FIG. 5

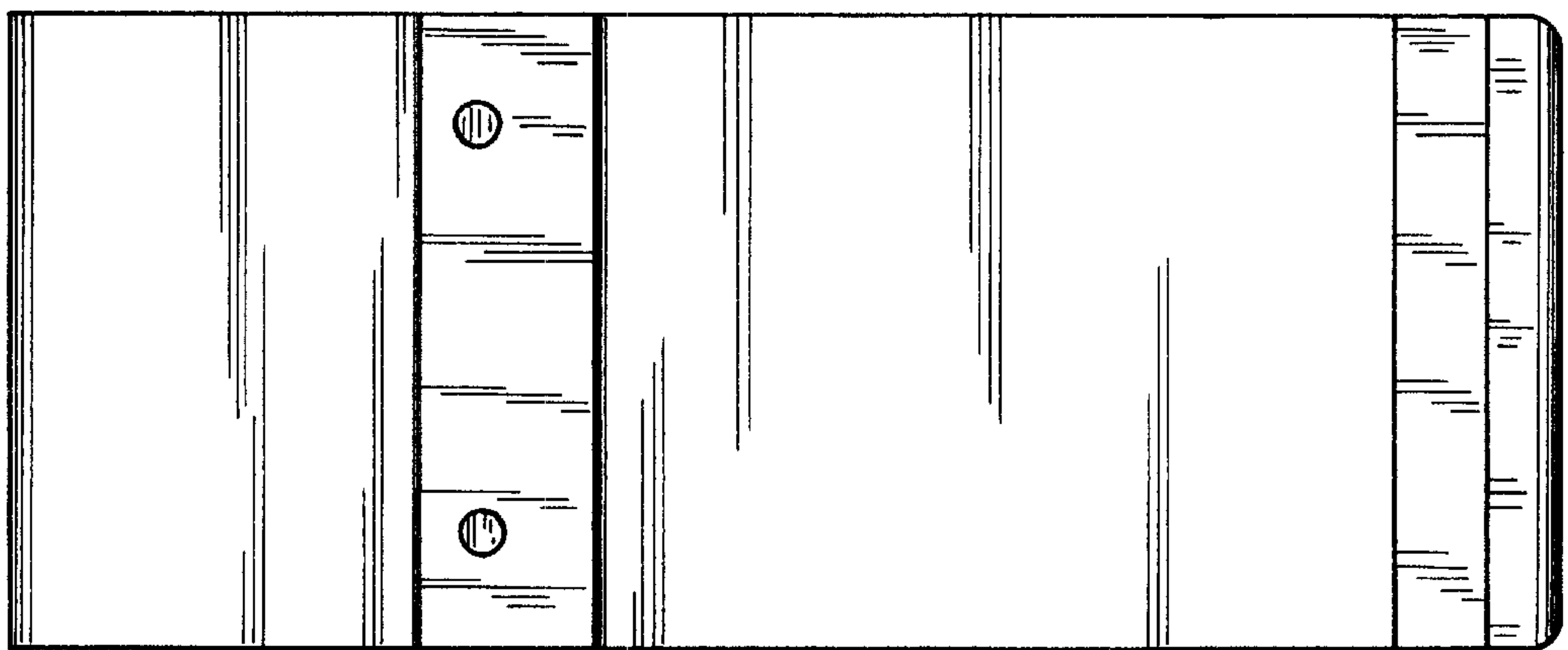


FIG. 6