



US00D446221S

(12) **United States Design Patent**  
**Kanou et al.**

(10) **Patent No.:** **US D446,221 S**

(45) **Date of Patent:** **\*\* Aug. 7, 2001**

(54) **REFRIGERANT COMPRESSOR FOR A VEHICLE AIR CONDITIONER**

(75) Inventors: **Hiroshi Kanou**, Takasaki; **Yuujiro Morita**, Honjou, both of (JP)

(73) Assignee: **Sanden Corporation**, Gunma (JP)

(\*\*) Term: **14 Years**

(21) Appl. No.: **29/122,444**

(22) Filed: **Apr. 28, 2000**

(30) **Foreign Application Priority Data**

Oct. 29, 1999 (JP) ..... 11-29927

(51) **LOC (7) Cl.** ..... **15-02**

(52) **U.S. Cl.** ..... **D15/9**

(58) **Field of Search** ..... D15/7-9; D23/325,  
D23/354; 418/259; 417/359, 415, 410.3,  
534, 215, 521, 222.1, 269

(56) **References Cited**

**U.S. PATENT DOCUMENTS**

D. 282,471	2/1986	Bearint et al.	.....	D15/9
D. 351,603	10/1994	Ikeda et al.	.....	D15/9
D. 352,291	11/1994	Ikeda et al.	.....	D15/7
D. 353,145	12/1994	Ikeda et al.	.....	D15/9
D. 356,862	3/1995	Ito et al.	.....	D23/325
D. 381,340	7/1997	Takenaka et al.	.....	D15/9
D. 381,993 *	8/1997	Takenaka et al.	.....	D15/9
D. 417,266	11/1999	Ito et al.	.....	D23/325

D. 428,978 *	8/2000	Ito et al.	.....	D23/354
D. 429,738 *	8/2000	Kayukawa et al.	.....	D15/9
3,871,793 *	3/1975	Olson, Jr.	.....	417/273
4,373,876	2/1983	Nemoto	.....	417/534
4,600,367	7/1986	Terauchi et al.	.....	417/360
4,938,448	7/1990	Shimazaki	.....	248/635
4,993,682	2/1991	Imai et al.	.....	248/638

\* cited by examiner

*Primary Examiner*—Ralf Seifert

(74) *Attorney, Agent, or Firm*—Baker Botts L.L.P.

(57) **CLAIM**

The ornamental design for a refrigerant compressor for a vehicle air conditioner, as shown.

**DESCRIPTION**

FIG. 1 is a left side view of the refrigerant compressor, according to our design.

FIG. 2 is a right side view of the refrigerant compressor, according to our design.

FIG. 3 is a cross-sectional view of the refrigerant compressor along line A—A of FIG. 5, showing the shape of our design.

FIG. 4 is a rear perspective view of the refrigerant compressor, according to our design; and,

FIG. 5 is a cut-away view of the refrigerant compressor of FIG. 9, showing the shape of our design.

It being understood that the broken lines are for illustrative purposes only.

**1 Claim, 8 Drawing Sheets**

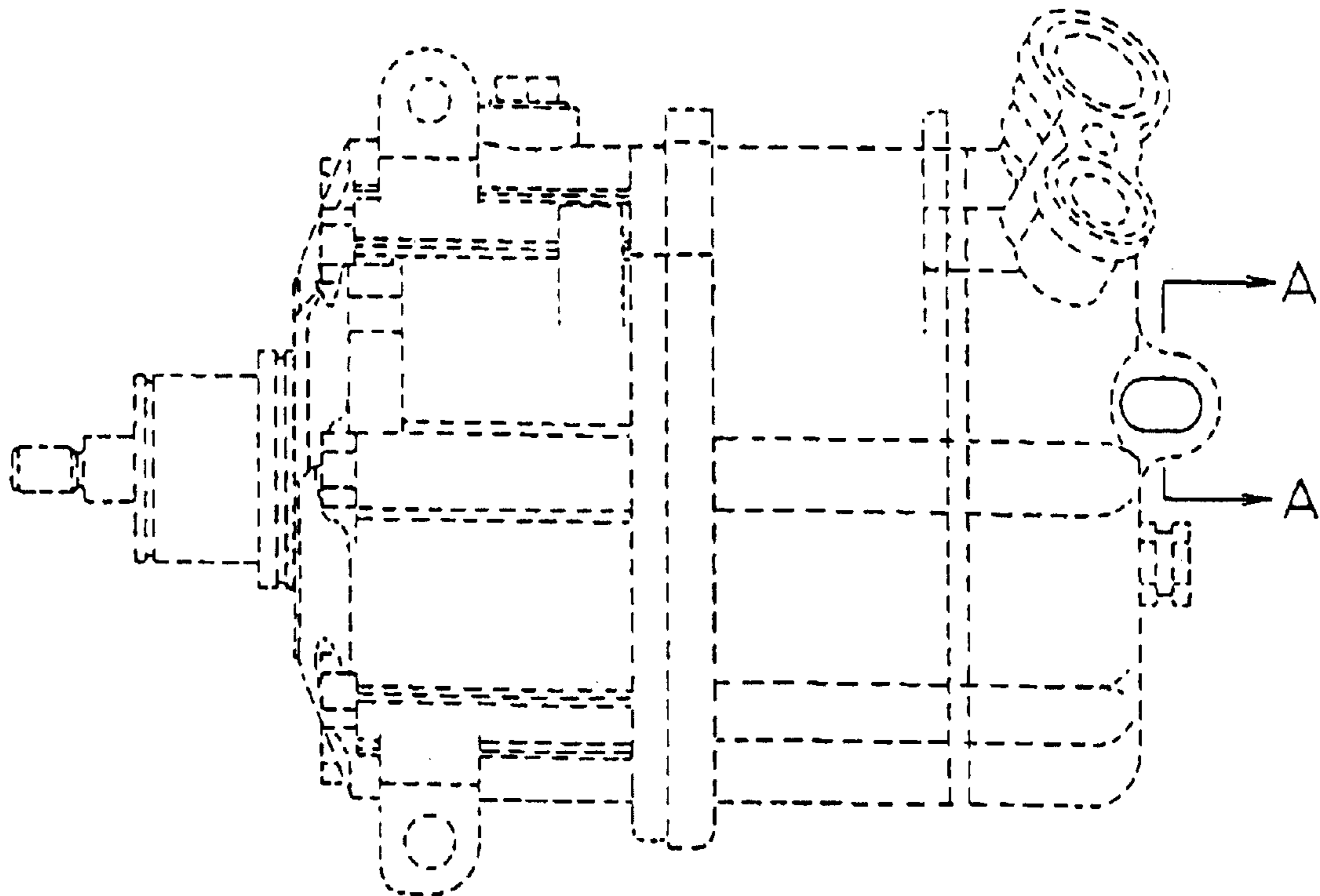


FIG. 1

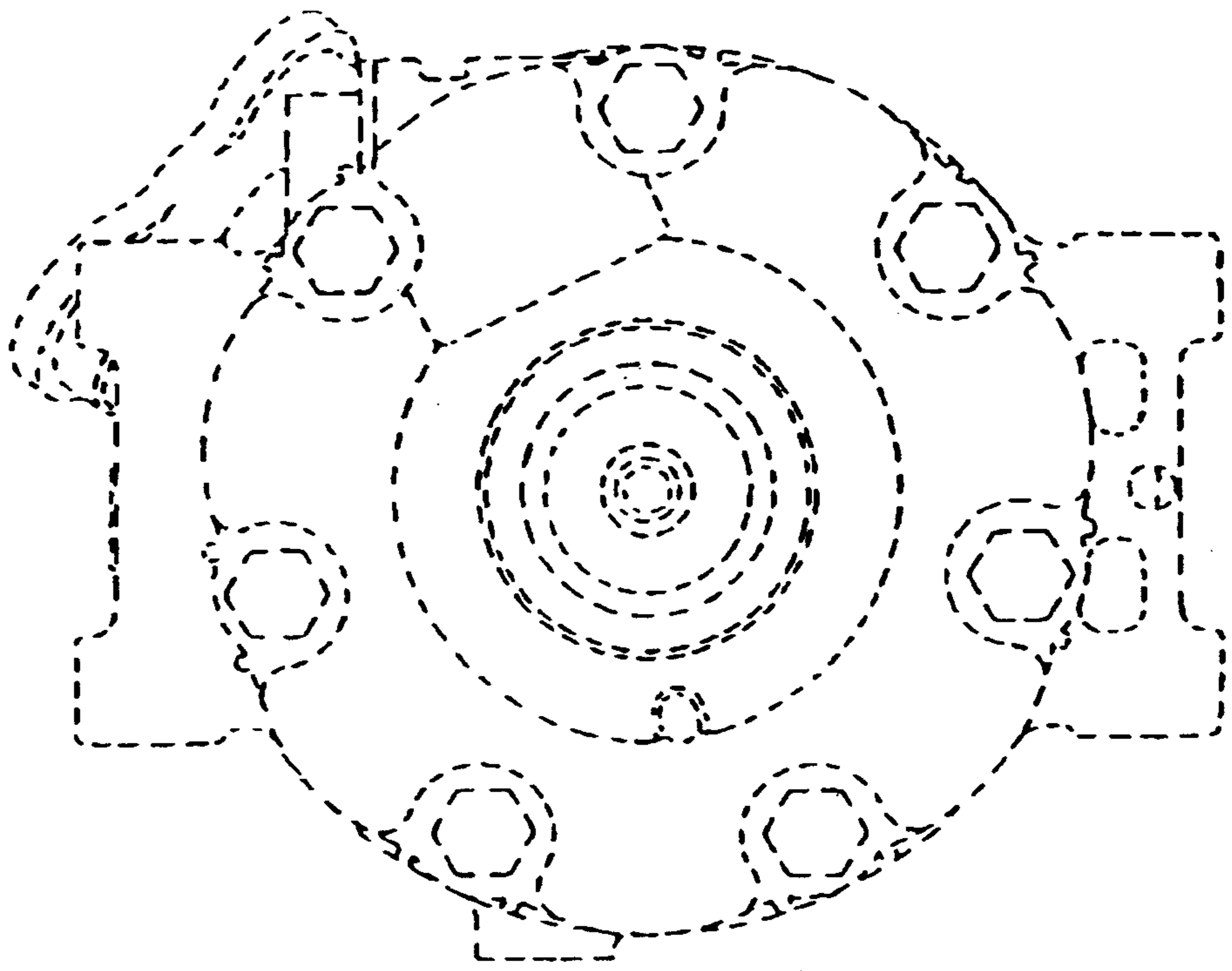


FIG. 2

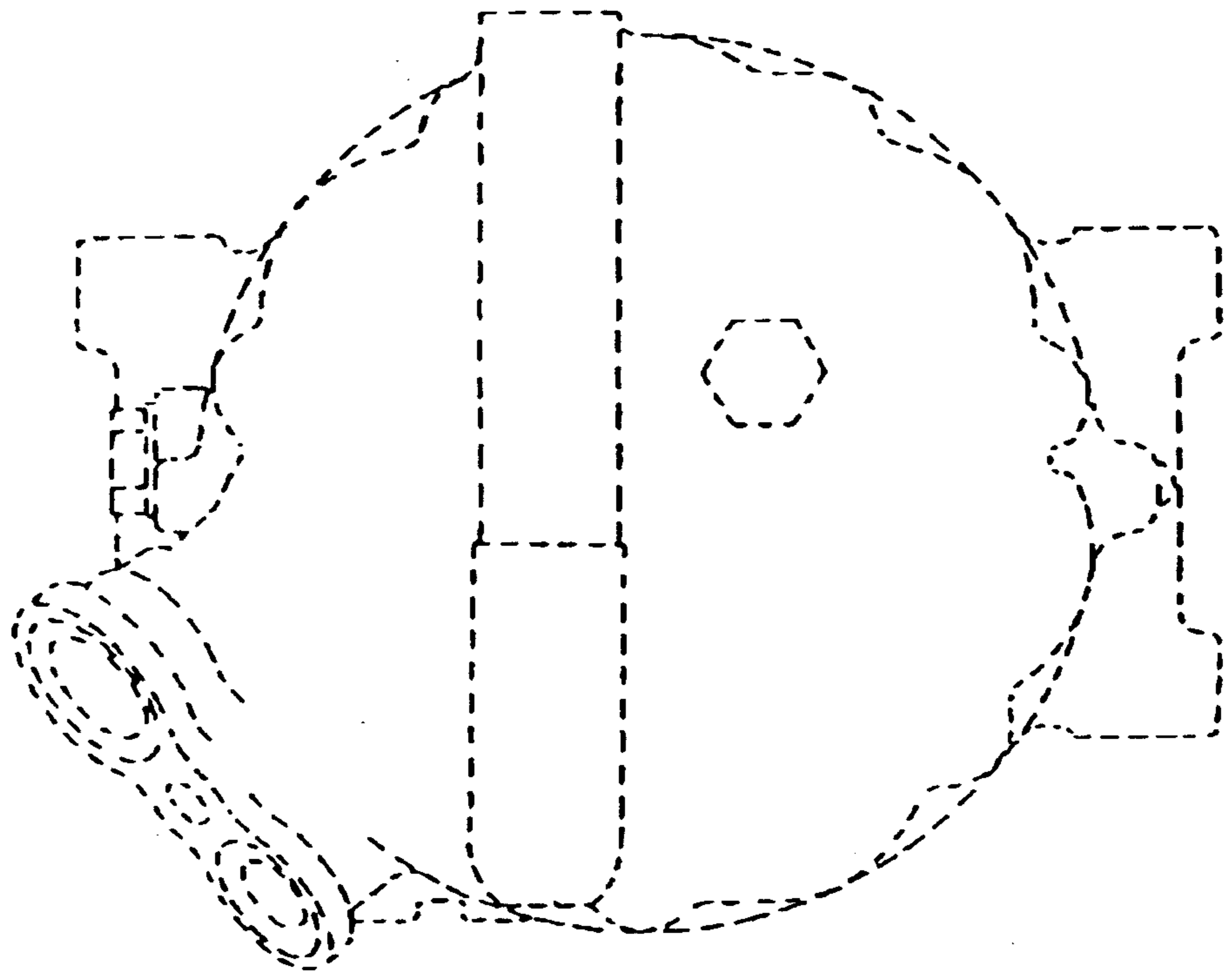


FIG. 4

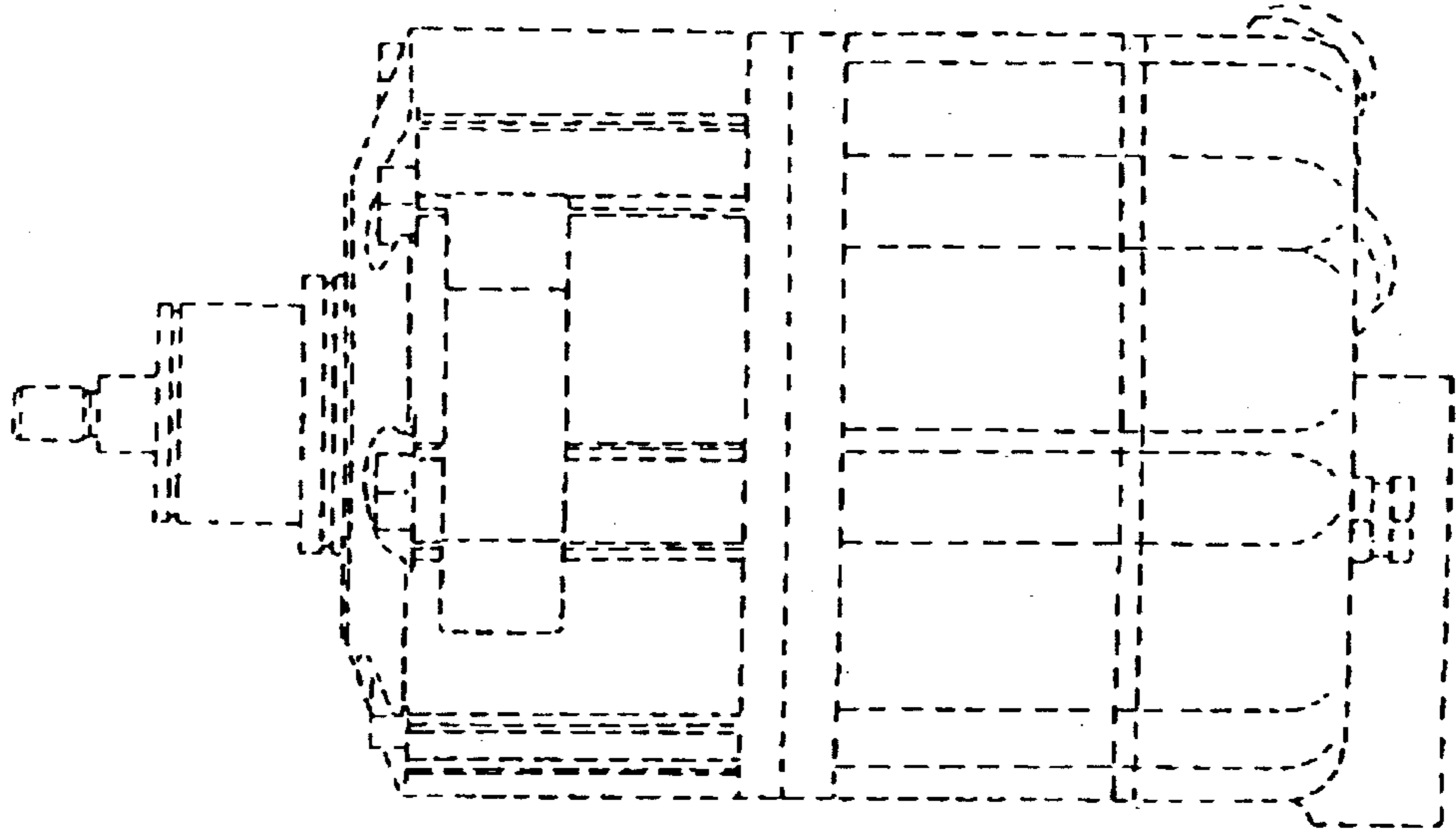


FIG. 3

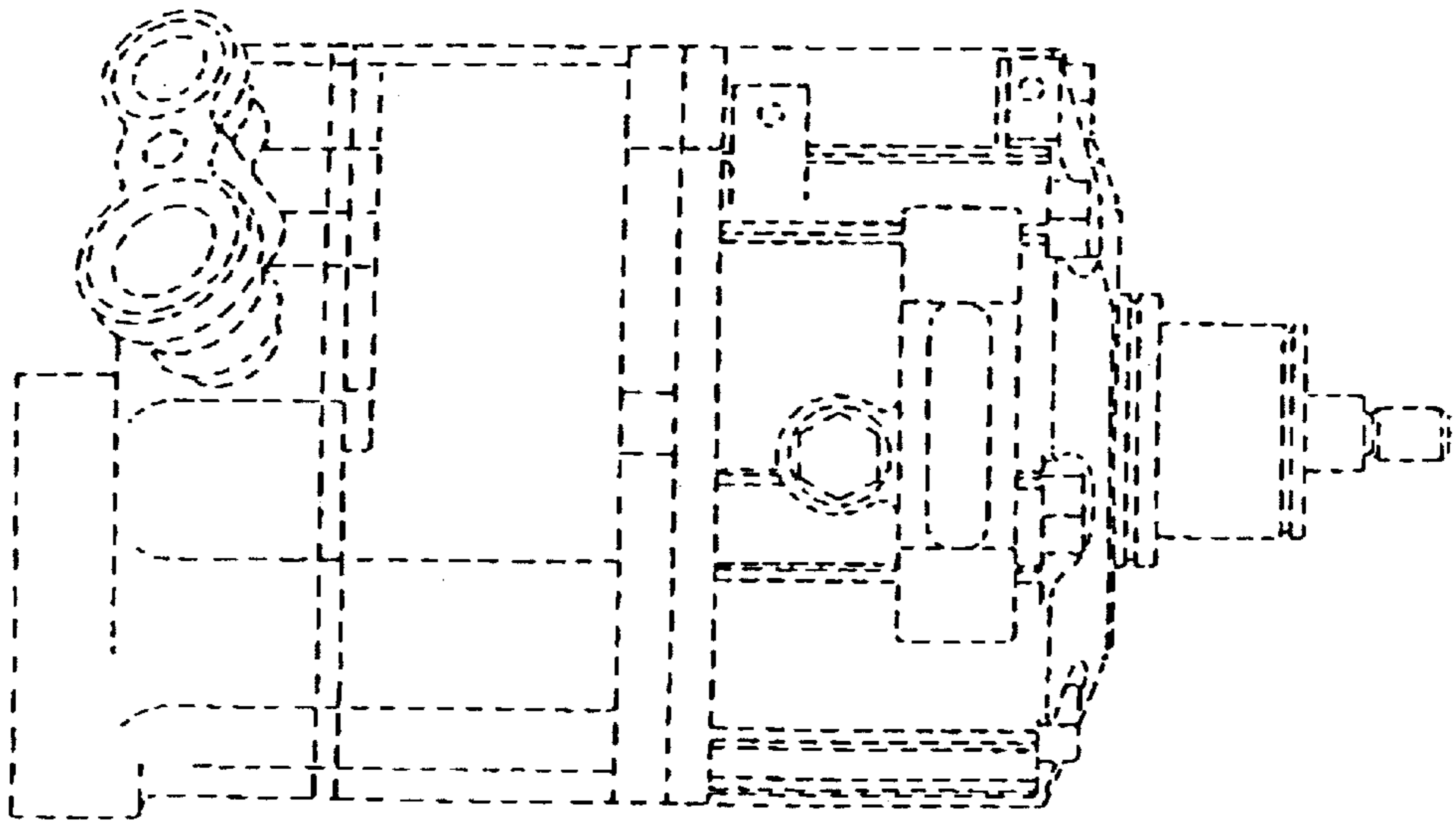


FIG. 5

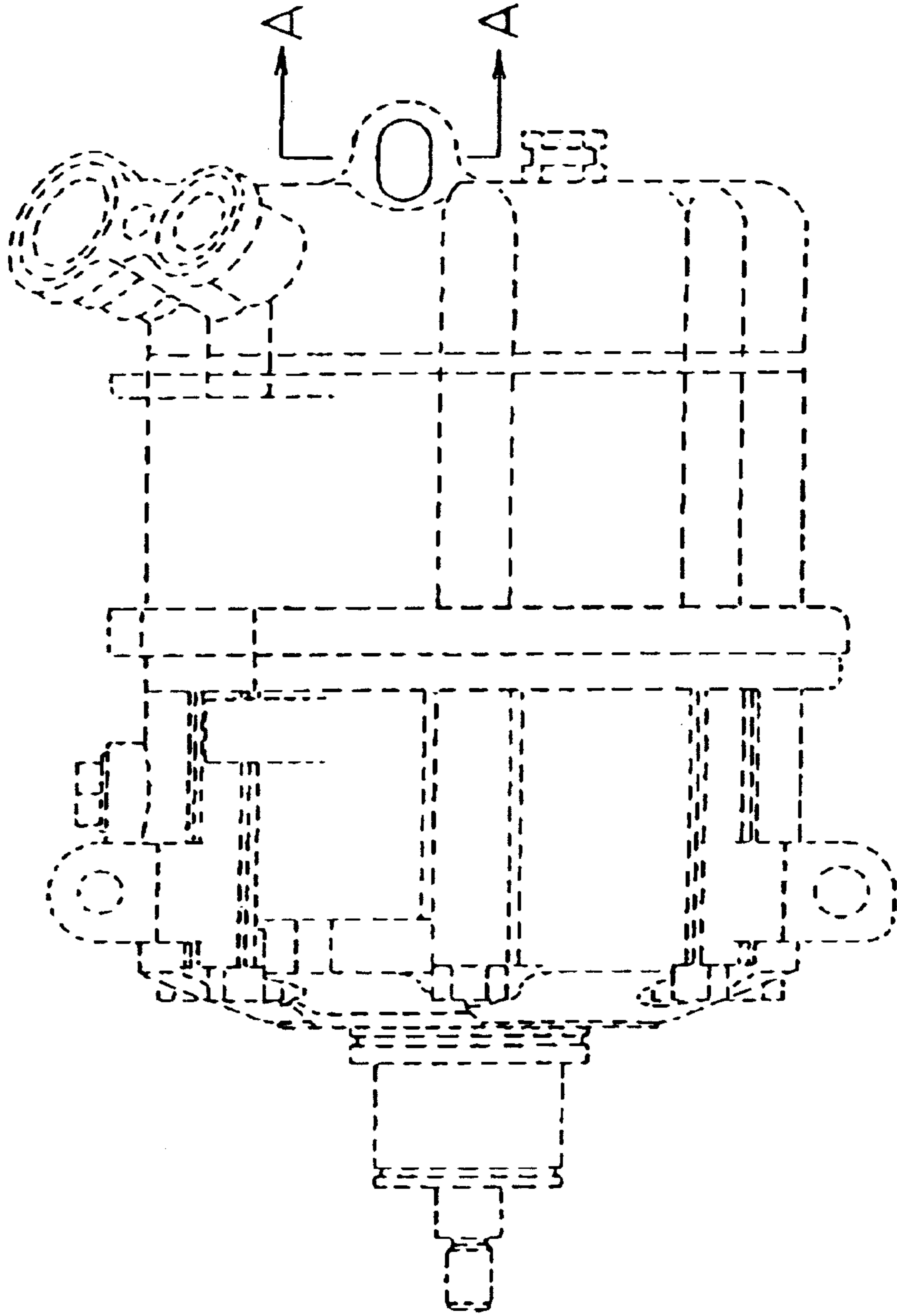


FIG. 6

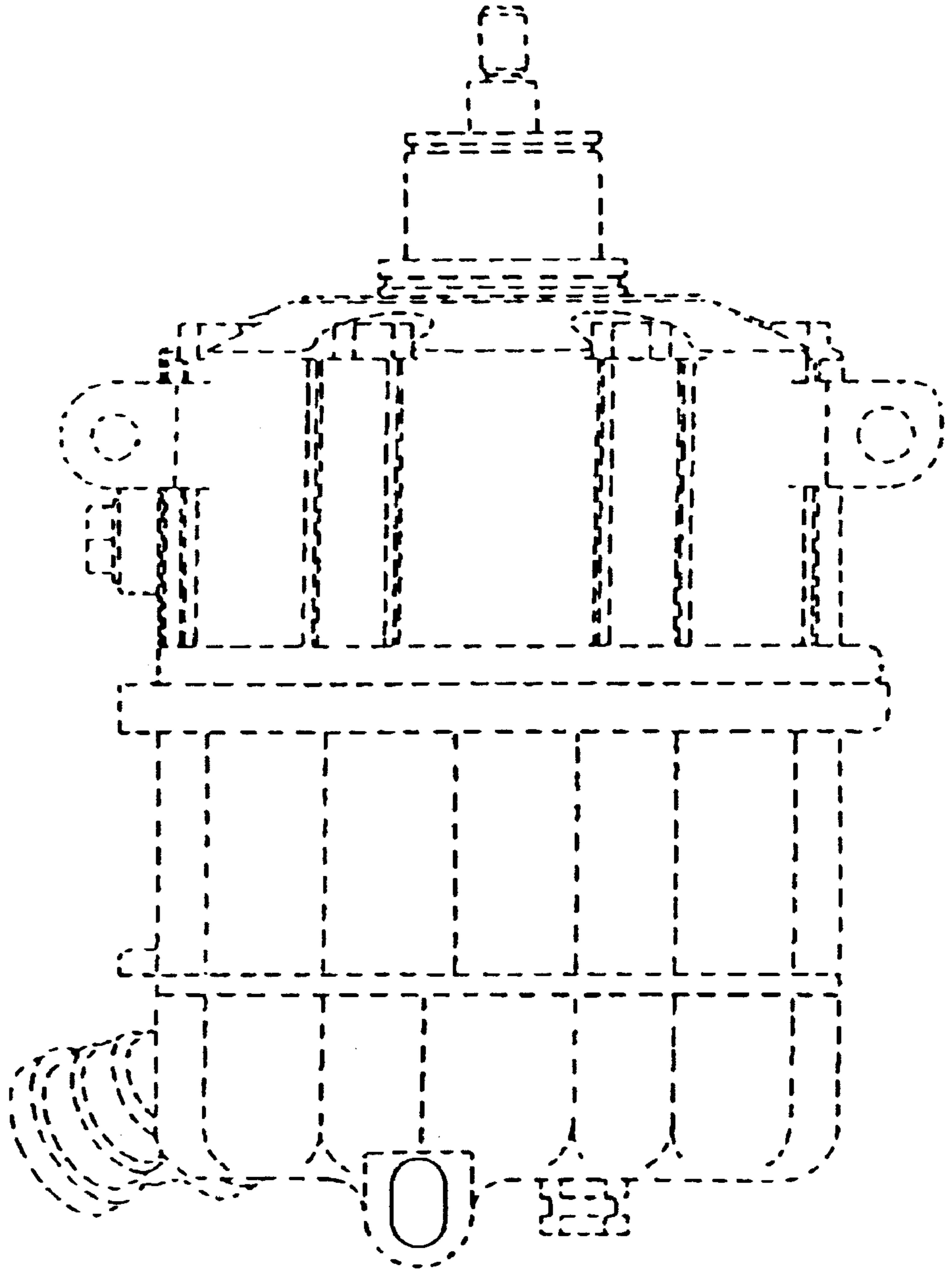


FIG. 7

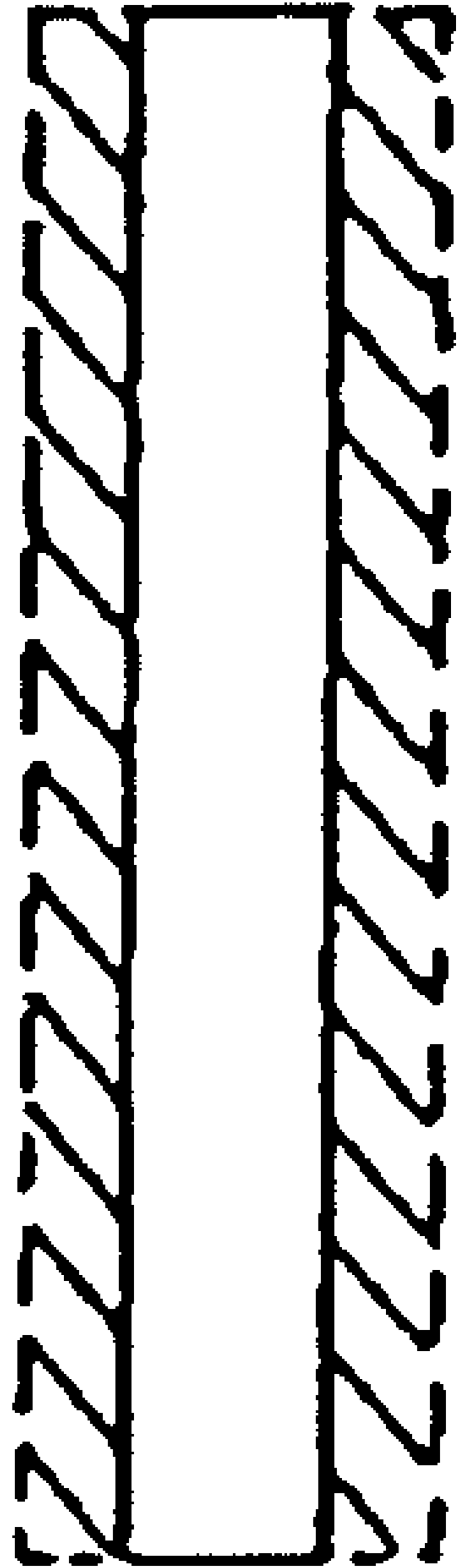


FIG. 8

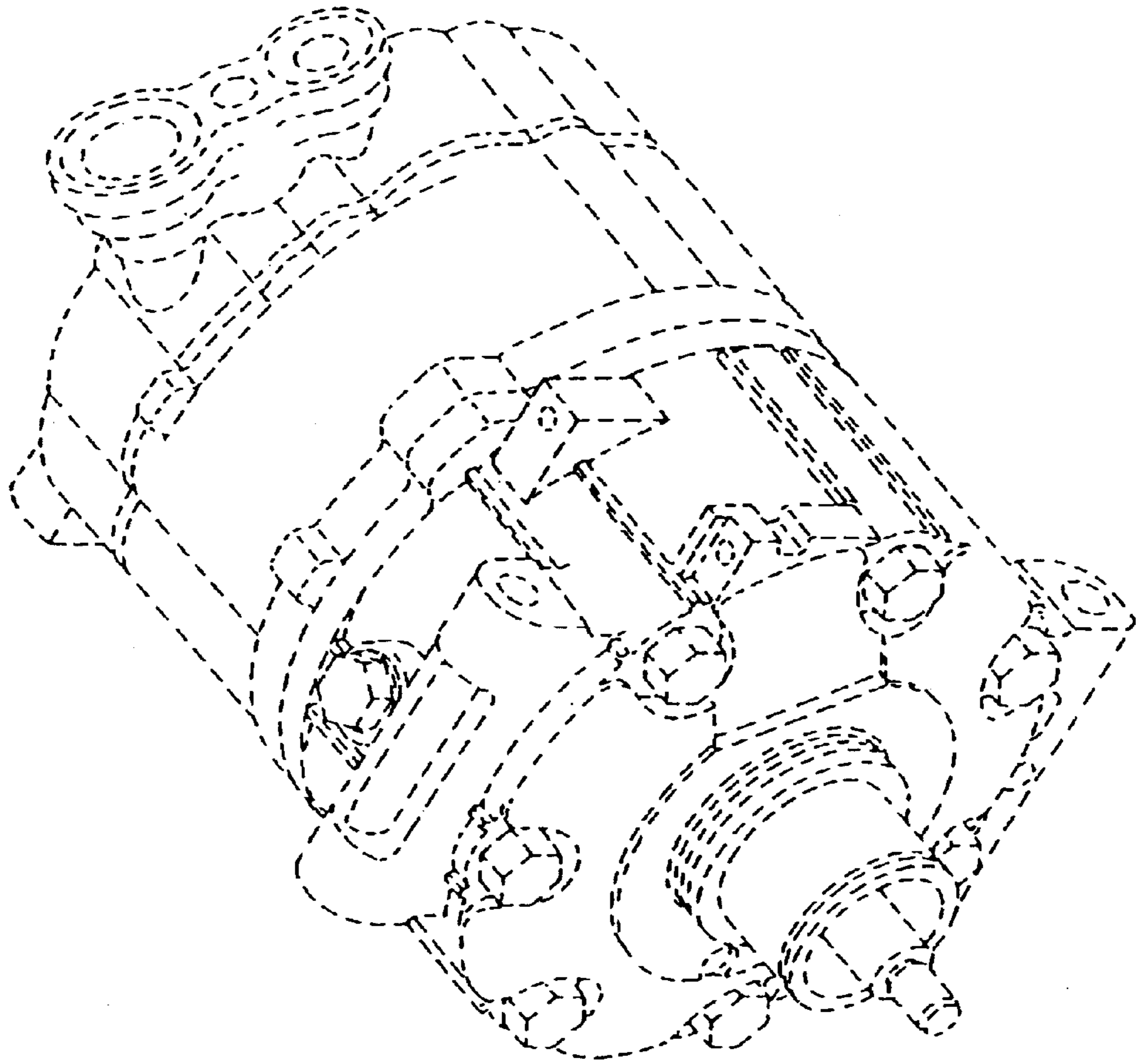


FIG. 9

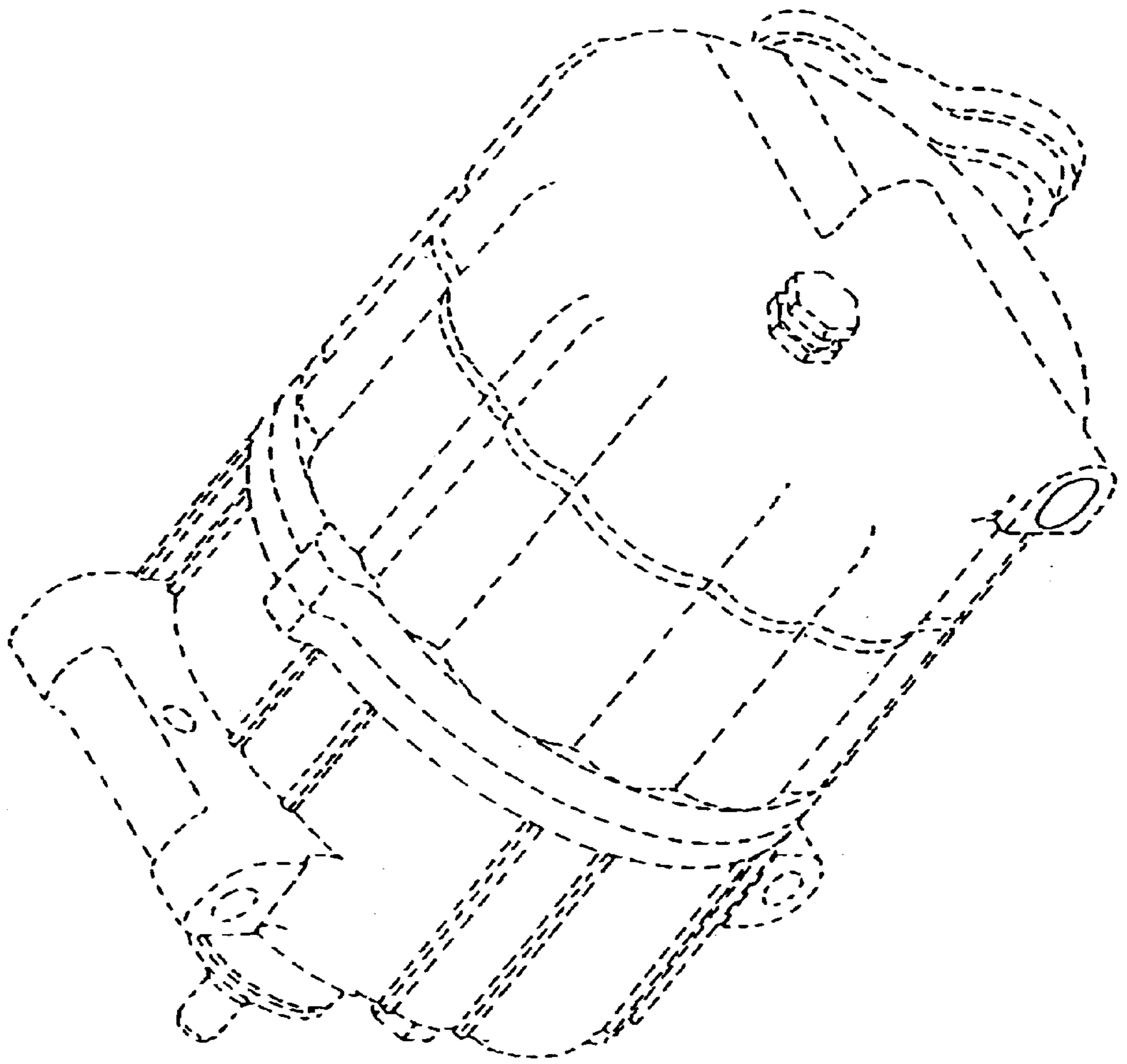




FIG. 10

