



US00D446217S

(12) **United States Design Patent**
Goto

(10) **Patent No.:** **US D446,217 S**

(45) **Date of Patent:** **** Aug. 7, 2001**

(54) **SUPPORT BASE FOR AN ELECTRIC DEVICE SUCH AS A COMPUTER, TV CONTROLLER, VIDEO GAME MACHINE, OR AUDIO OR VIDEO DISC PLAYER**

FOREIGN PATENT DOCUMENTS

1035752 4/1999 (JP) .

OTHER PUBLICATIONS

“InfoMac,” MacWorld Expo Taiwan, Feb. 1996.
“The Third Wave,” p. 38, May 1998.
“Storage Plus,” p. 408, Computer Product, Jan. 1996.
“PlayStation2” Atari, Falcon 040 (1993), Oct. 1999, <http://www.iris.dti.ne.jp/~spe/game/ps2/ps2.htm>.
“Atari Falcon 030” Atari MicroBox, <http://www.best.com/~hmk/aflcon.htm>, 1993.

* cited by examiner

Primary Examiner—M. H. Tung

(74) *Attorney, Agent, or Firm*—Rader, Fishman & Grauer

(75) **Inventor:** **Teiyu Goto, Tokyo (JP)**

(73) **Assignee:** **Sony Computer Entertainment Inc., Tokyo (JP)**

(* **Notice:** This patent is subject to a terminal disclaimer.

(**) **Term:** **14 Years**

(21) **Appl. No.:** **29/115,720**

(22) **Filed:** **Dec. 21, 1999**

(30) **Foreign Application Priority Data**

Aug. 26, 1999 (JP) D11-22659

(51) **LOC (7) Cl.** **14-02**

(52) **U.S. Cl.** **D14/447**

(58) **Field of Search** D14/439-47, 217, D14/239, 299, 126; D21/324, 333; D13/184, 199; D6/449, 491, 445, 396, 512; 248/125.1, 127, 133, 177.1, 178.1, 179.1, 183.1, 346.01, 346.02, 188.2, 917-24; 200/5 R, 5 A, 6 R, 6 A; 361/679-85

(56) **References Cited**

U.S. PATENT DOCUMENTS

- D. 270,026 * 8/1983 Whitford .
- D. 287,365 * 12/1986 Judd .
- D. 330,021 * 10/1992 Kline et al. .
- D. 330,705 * 11/1992 Gowda et al. .
- D. 338,882 * 8/1993 Reiter .
- D. 349,696 * 8/1994 Hames .
- D. 350,536 9/1994 NcKnight et al. D14/114
- D. 361,561 * 8/1995 Baudot .
- D. 362,245 * 9/1995 Moffatt .
- D. 383,728 9/1997 Yurkonis et al. D14/100
- D. 416,878 * 11/1999 Yeh et al. .
- 4,856,659 * 8/1989 Krebs .

(57) **CLAIM**

The ornamental design for a support base for an electric device such as a computer, TV controller, video game machine, or audio or video disc player, as shown and described.

DESCRIPTION

The file of this design patent contains at least one drawing executed in color. Copies of this design patent with color drawings will be provided by the Patent and Trademark Office upon request and payment of the necessary fee.

FIG. 1 is a perspective view of a support base for an electric device such as a computer, TV controller, video game machine, or audio or video disc player showing my new design, on a reduced scale;

FIG. 2 is a front elevational view thereof;

FIG. 3 is a rear elevational view thereof;

FIG. 4 is a bottom plan view thereof;

FIG. 5 is a left side elevational view thereof

FIG. 6 is a top plan view thereof; and,

FIG. 7 is a right side elevational view thereof.

1 Claim, 3 Drawing Sheets

(3 of 3 Drawing Sheet(s) Filed in Color)

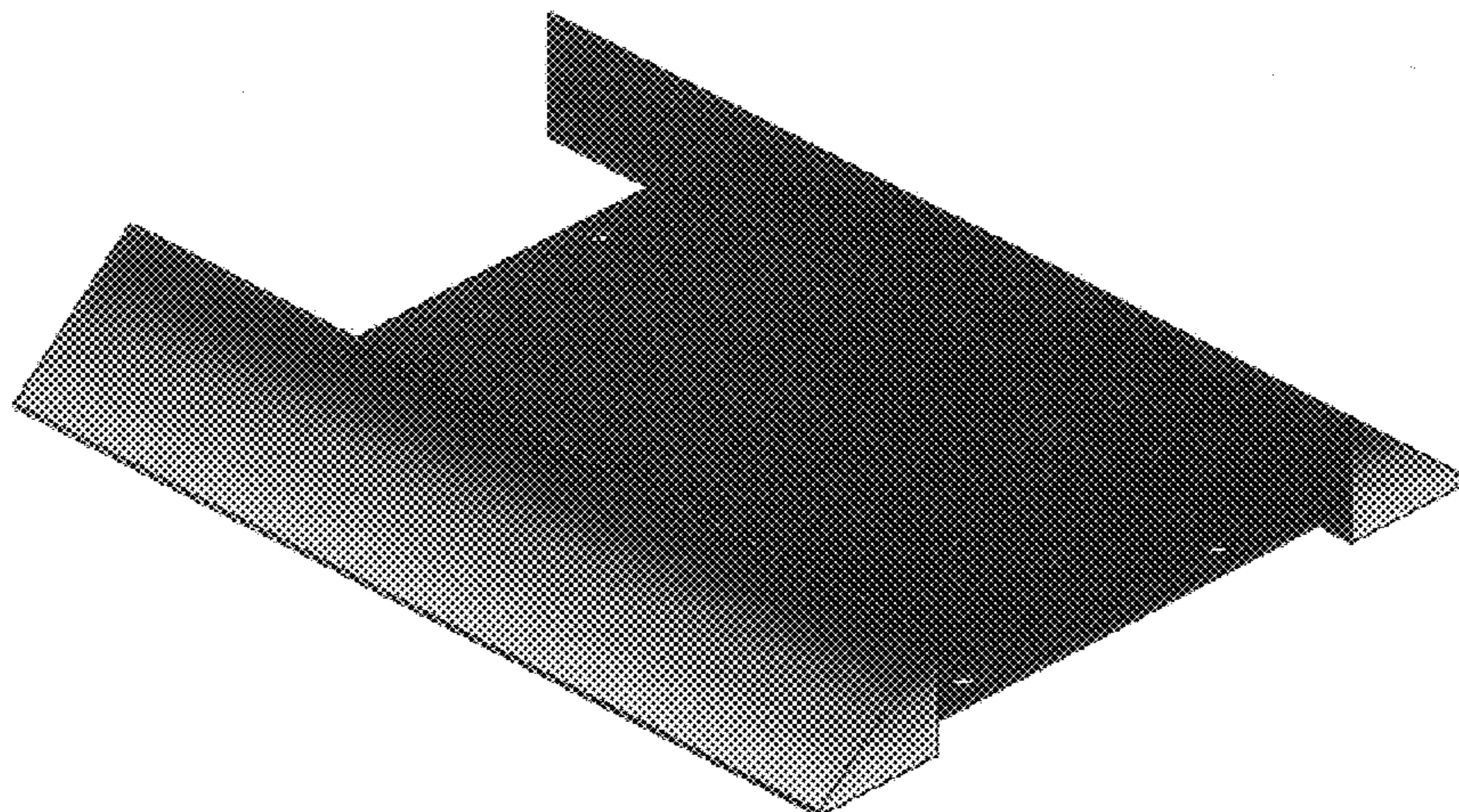


FIG. 1

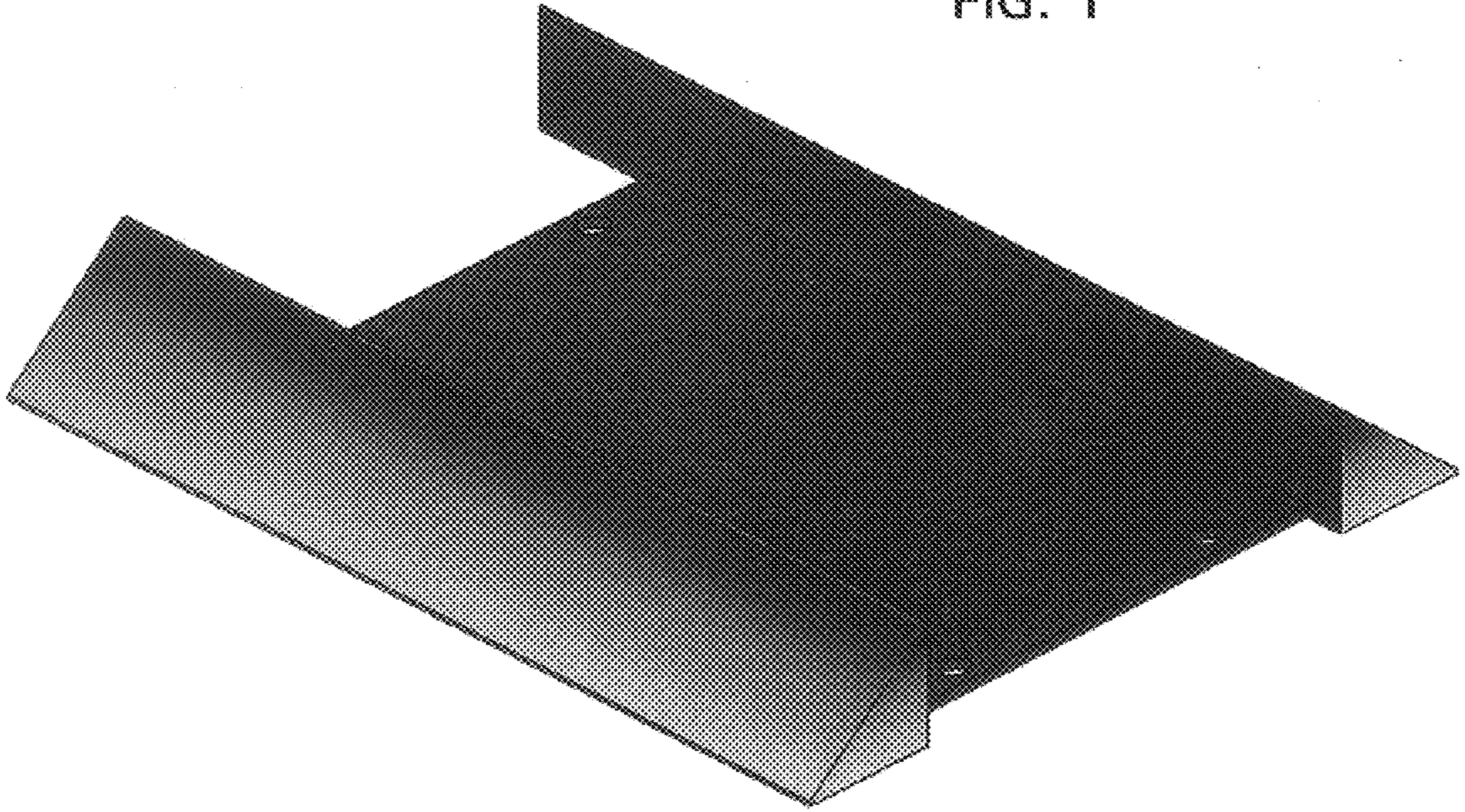


FIG. 2



FIG. 3



FIG. 4

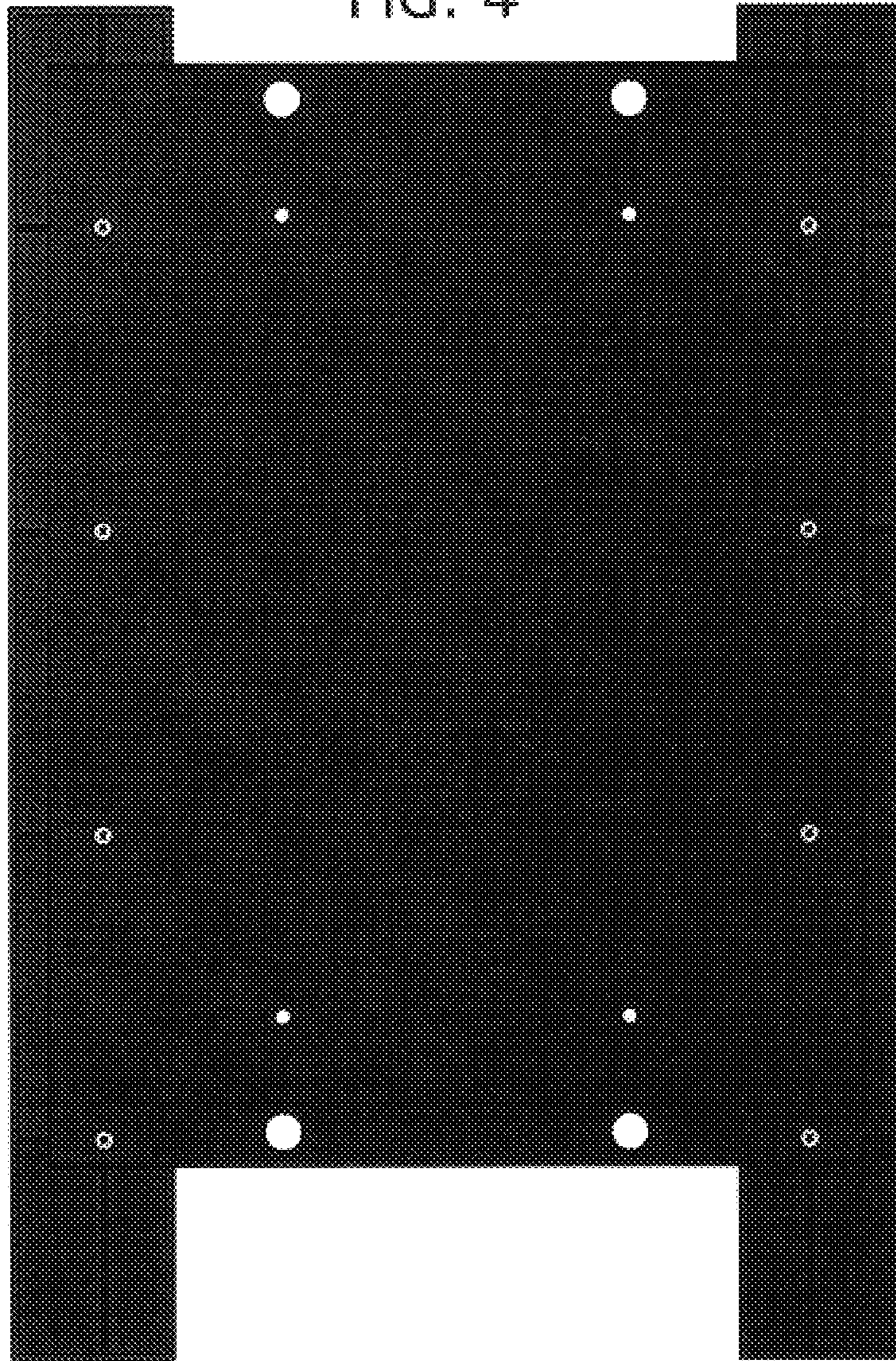


FIG. 5

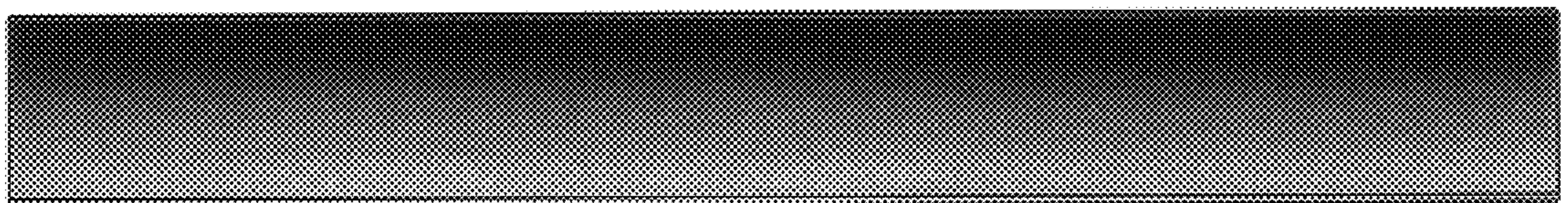


FIG. 6

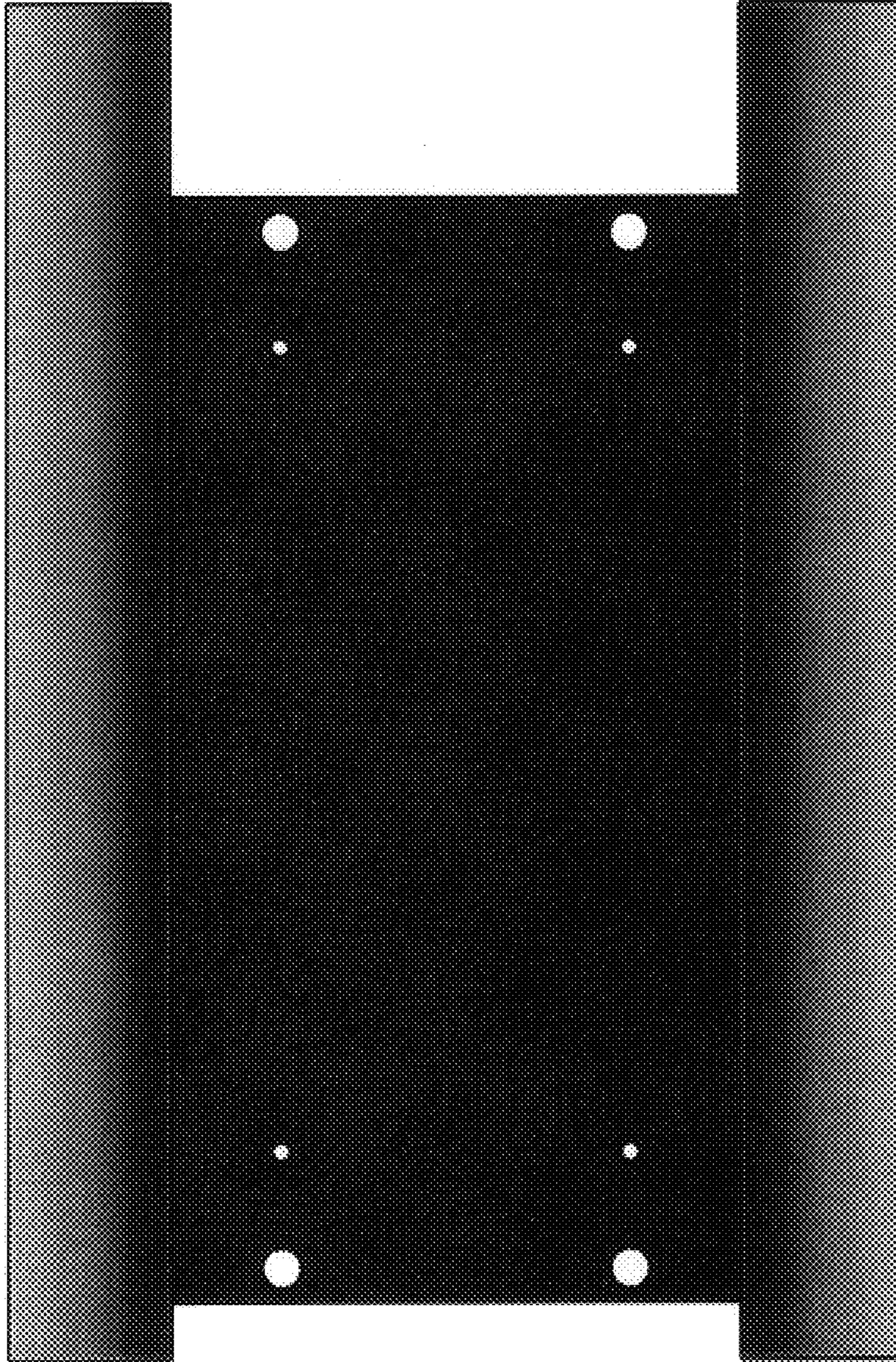


FIG. 7

